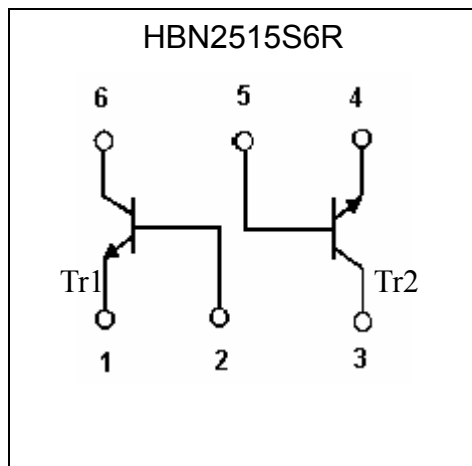
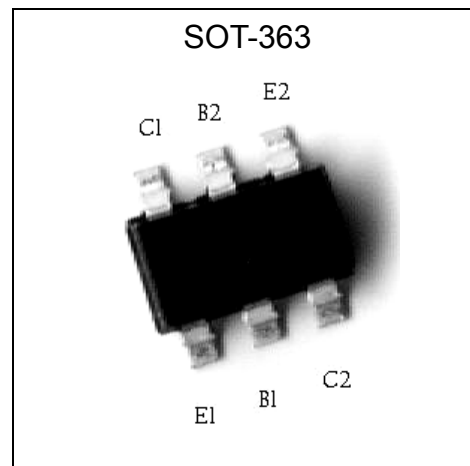


Low Vcesat NPN Epitaxial Planar Transistor

HBN2515S6R

(Dual Transistors)
Features

- Two BTD2515 chips in a SOT-363 package.
- Mounting possible with SOT-323 automatic mounting machines.
- Transistor elements are independent, eliminating interference.
- Mounting cost and area can be cut in half.
- Low $V_{CE(sat)}$, $V_{CE(sat)}=25mV$ (max), at $I_C / I_B = 10mA / 0.5mA$.
- Weight : 9.1mg, approximately.
- Pb-free package.

Equivalent Circuit

Outline

The following characteristics apply to both Tr1 and Tr2
Absolute Maximum Ratings ($T_a=25^{\circ}C$)

Parameter	Symbol	Limits	Unit
Collector-Base Voltage	V_{CBO}	20	V
Collector-Emitter Voltage	V_{CEO}	15	V
Emitter-Base Voltage	V_{EBO}	6	V
Collector Current (DC)	I_C	800	mA
Collector Current (Pulse)	I_{CP}	1.5 (Note 1)	A
Power Dissipation	P_d	200 (total) (Note 2)	mW
Junction Temperature	T_j	150	$^{\circ}C$
Storage Temperature	T_{stg}	-55~+150	$^{\circ}C$

Note : 1.Single pulse, $P_w=10ms$
 2.150mW per element must not be exceeded.

**Characteristics (Ta=25°C)**

Symbol	Min.	Typ.	Max.	Unit	Test Conditions
BV _{CBO}	20	-	-	V	I _C =100μA, I _E =0
BV _{CEO}	15	-	-	V	I _C =2mA, I _B =0
BV _{EBO}	6	-	-	V	I _E =100μA, I _C =0
I _{CBO}	-	-	100	nA	V _{CB} =15V, I _E =0
I _{EBO}	-	-	100	nA	V _{EB} =6V, I _C =0
*V _{CE(sat)1}	-	-	25	mV	I _C =10mA, I _B =0.5mA
*V _{CE(sat)2}	-	-	150	mV	I _C =200mA, I _B =10mA
*V _{CE(sat)3}	-	-	250	mV	I _C =500mA, I _B =50mA
*R _{CE(sat)}	-	-	500	mΩ	I _C =500mA, I _B =50mA
*V _{BE(sat)}	-	-	1.1	V	I _C =500mA, I _B =50mA
*V _{BE(on)}	-	-	0.9	V	V _{CE} =2V, I _C =100mA
*h _{FE1}	160	-	-	-	V _{CE} =1V, I _C =10mA
*h _{FE2}	180	-	560	-	V _{CE} =1V, I _C =100mA
*h _{FE3}	150	-	-	-	V _{CE} =1V, I _C =500mA
f _T	100	300	-	MHz	V _{CE} =10V, I _C =50mA, f=100MHz
Cob	-	6.5	-	pF	V _{CB} =10V, f=1MHz

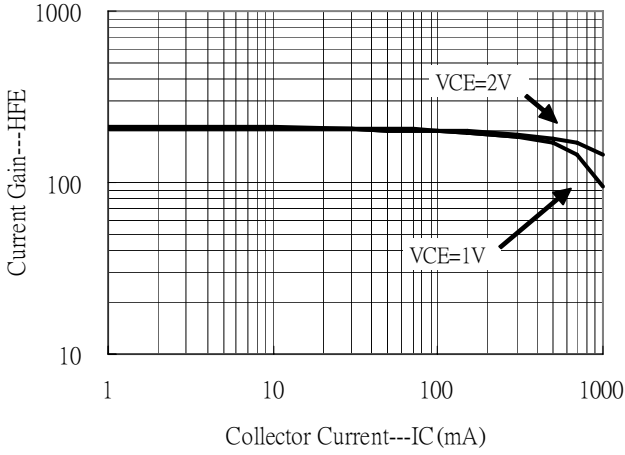
*Pulse Test : Pulse Width ≤380μs, Duty Cycle ≤2%

Ordering Information

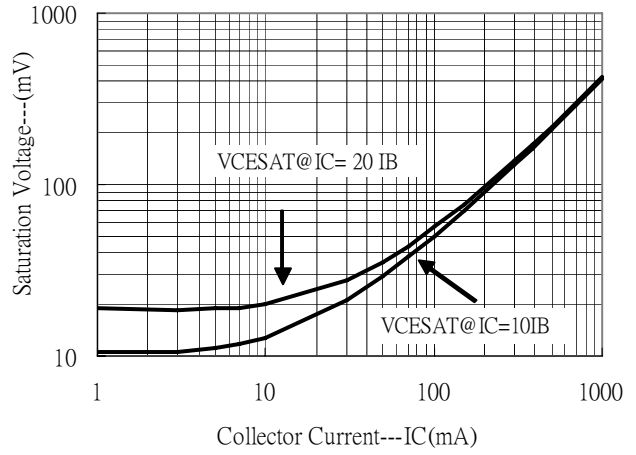
Device	Package	Shipping	Marking
HBN2515S6R	SOT-363 (Pb-free)	3000 pcs / Tape & Reel	BS

Characteristic Curves

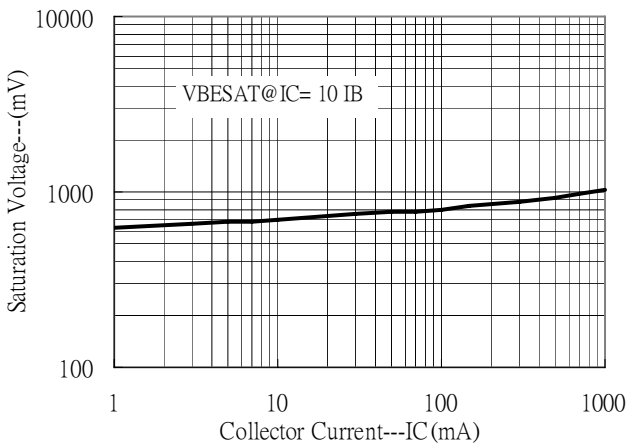
Current Gain vs Collector Current



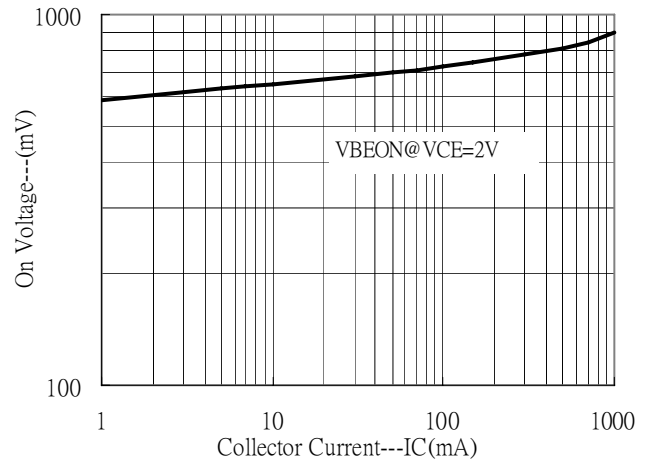
Saturation Voltage vs Collector Current



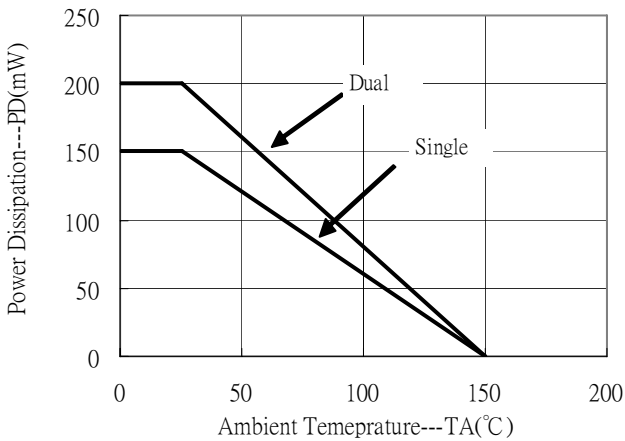
Saturation Voltage vs Collector Current



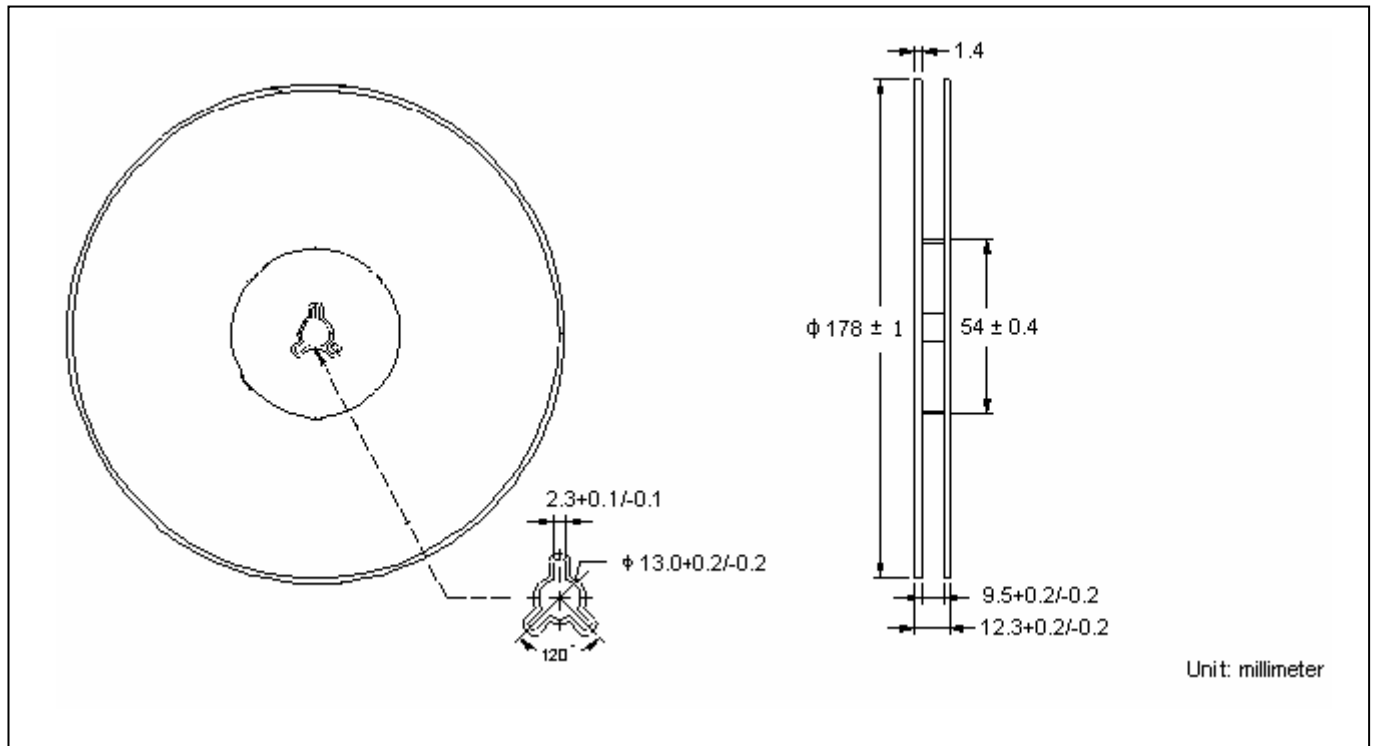
On Voltage vs Collector Current



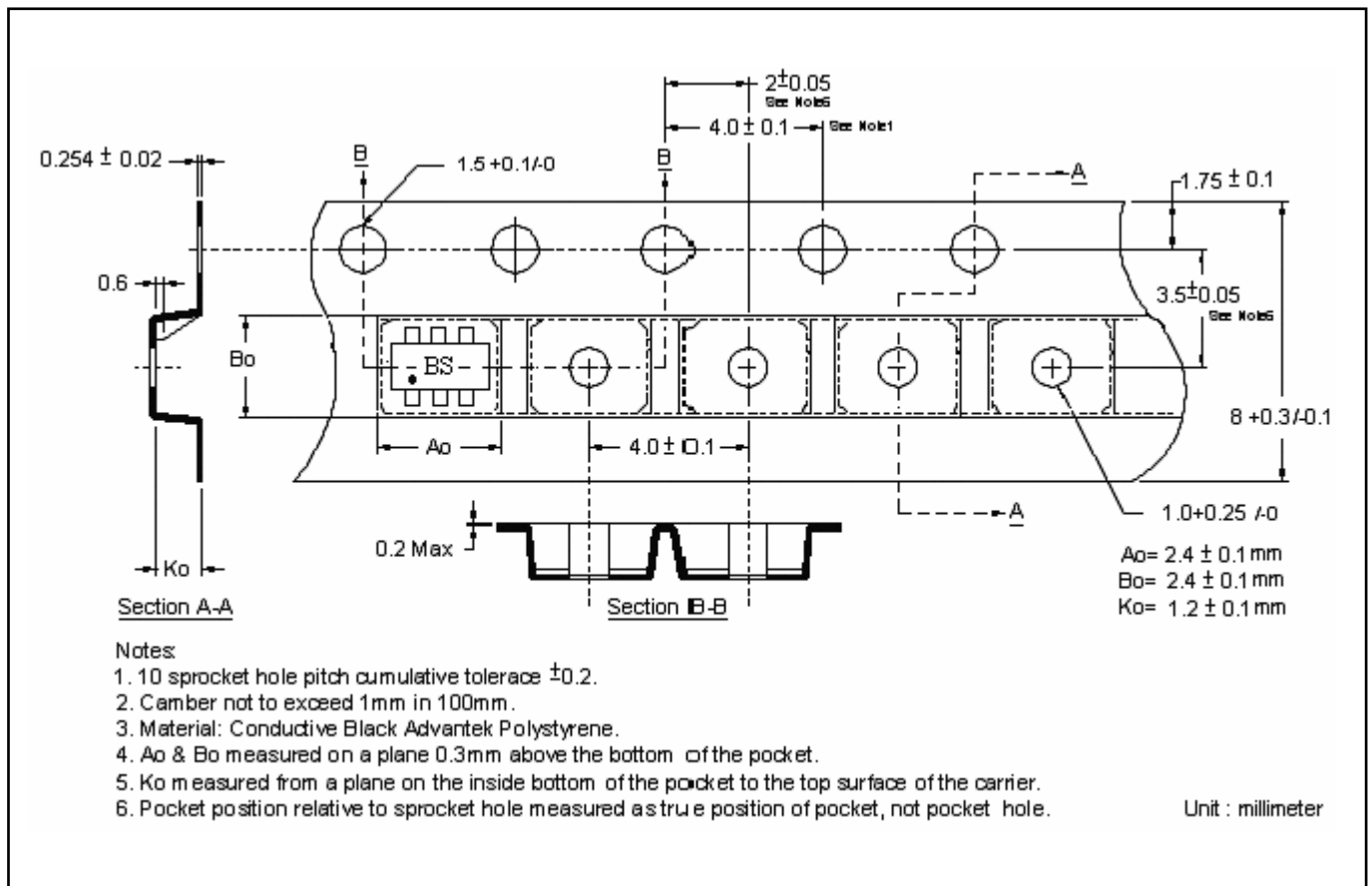
Power Derating Curve



Reel Dimension



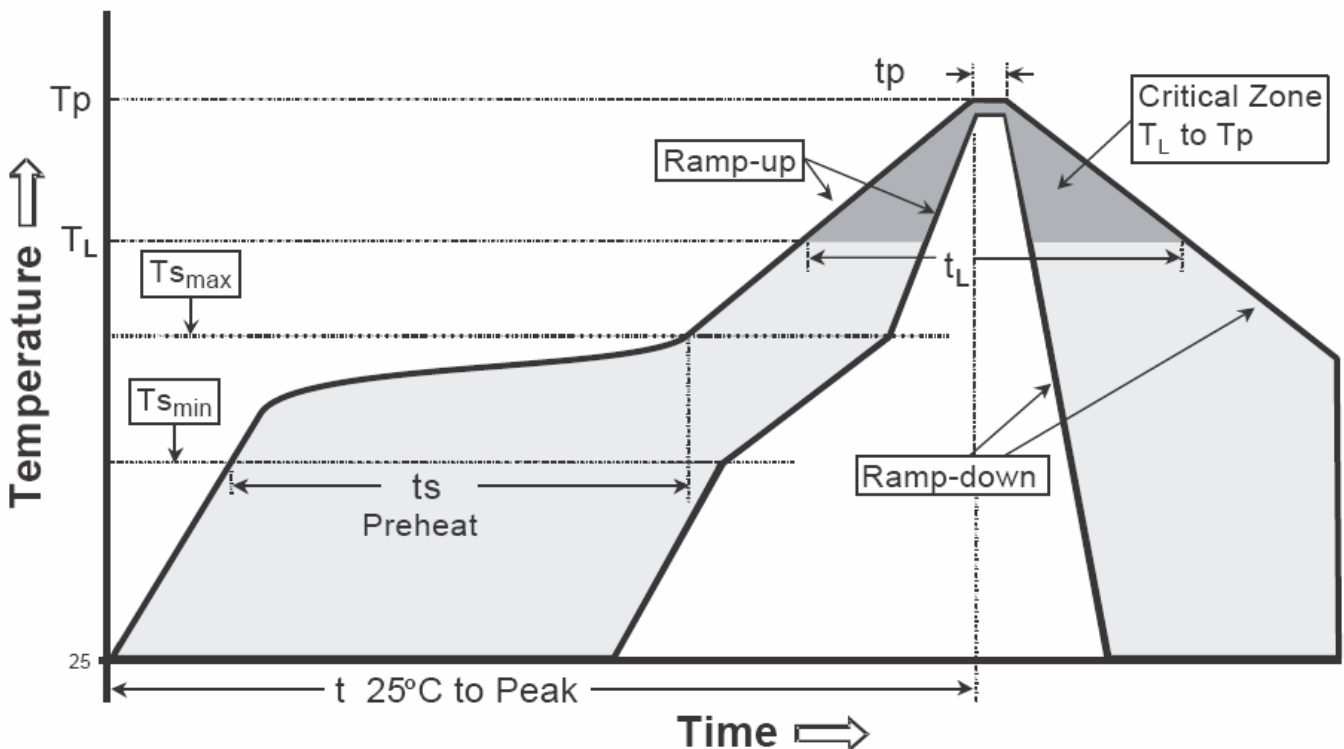
Carrier Tape Dimension



Recommended wave soldering condition

Product	Peak Temperature	Soldering Time
Pb-free devices	260 +0/-5 °C	5 +1/-1 seconds

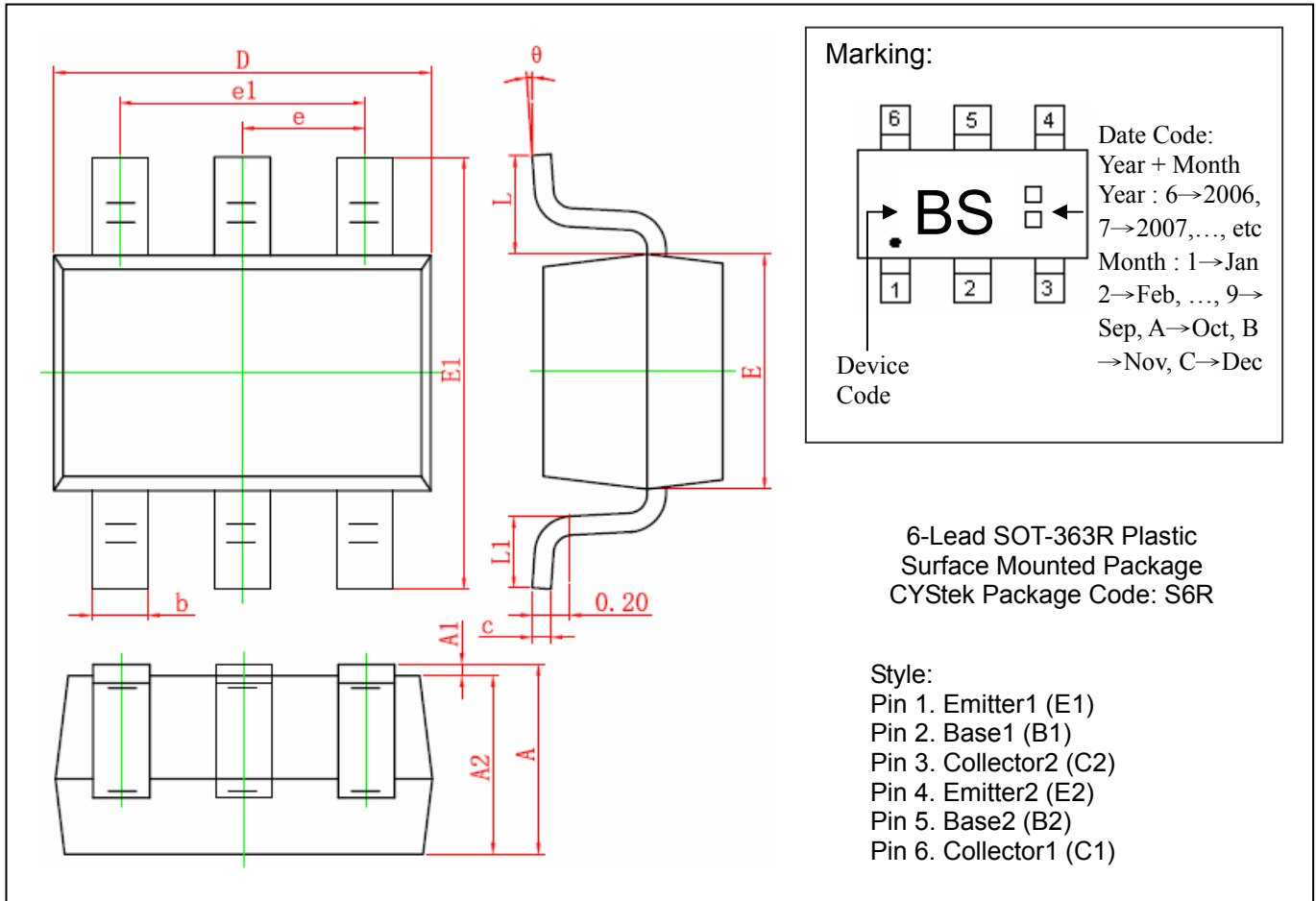
Recommended temperature profile for IR reflow



Profile feature	Sn-Pb eutectic Assembly	Pb-free Assembly
Average ramp-up rate (Tsmax to Tp)	3°C/second max.	3°C/second max.
Preheat		
-Temperature Min(Ts min)	100°C	150°C
-Temperature Max(Ts max)	150°C	200°C
-Time(ts min to ts max)	60-120 seconds	60-180 seconds
Time maintained above:		
-Temperature (TL)	183°C	217°C
- Time (tL)	60-150 seconds	60-150 seconds
Peak Temperature(TP)	240 +0/-5 °C	260 +0/-5 °C
Time within 5°C of actual peak temperature(tp)	10-30 seconds	20-40 seconds
Ramp down rate	6°C/second max.	6°C/second max.
Time 25 °C to peak temperature	6 minutes max.	8 minutes max.

Note : All temperatures refer to topside of the package, measured on the package body surface.

SOT-363 Dimension



DIM	Millimeters		Inches		DIM	Millimeters		Inches	
	Min.	Max.	Min.	Max.		Min.	Max.	Min.	Max.
A	0.900	1.100	0.035	0.043	E1	2.150	2.450	0.085	0.096
A1	0.000	0.100	0.000	0.004	e	0.650	TYP	0.026	TYP
A2	0.900	1.000	0.035	0.039	e1	1.200	1.400	0.047	0.055
b	0.150	0.350	0.006	0.014	L	0.525	REF	0.021	REF
c	0.080	0.150	0.003	0.006	L1	0.260	0.460	0.010	0.018
D	2.000	2.200	0.079	0.087	θ	0°	8°	0°	8°
E	1.150	1.350	0.045	0.053					

Notes : 1. Controlling dimension : millimeters.
 2. Maximum lead thickness includes lead finish thickness, and minimum lead thickness is the minimum thickness of base material.
 3. If there is any question with packing specification or packing method, please contact your local CYStek sales office.

Material :

- Lead : Pure tin plated.
- Mold Compound : Epoxy resin family, flammability solid burning class:UL94V-0.

Important Notice:

- All rights are reserved. Reproduction in whole or in part is prohibited without the prior written approval of CYStek.
- CYStek reserves the right to make changes to its products without notice.
- CYStek **semiconductor products are not warranted to be suitable for use in Life-Support Applications, or systems.**
- CYStek assumes no liability for any consequence of customer product design, infringement of patents, or application assistance.