

Product Specification

Operating voltage range: DC4.5-20V

Quiescent Current: <60uA

Level output: High 3.3V / Low 0V

Trigger: reusable trigger (default)

Delay Time: The default 8S + -30%

Board Dimensions: 10 * 23mm

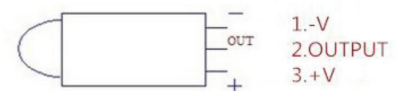
Induction angle: <100 degrees cone angle

Sensing distance: 3 meters

Working temperature: -20 to +80 degrees

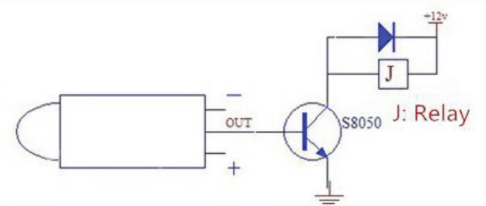
Sensor Lens Dimensions: Diameter 10mm

1.Interface



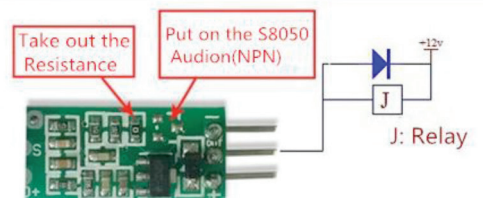
2.DC Load

Project 1

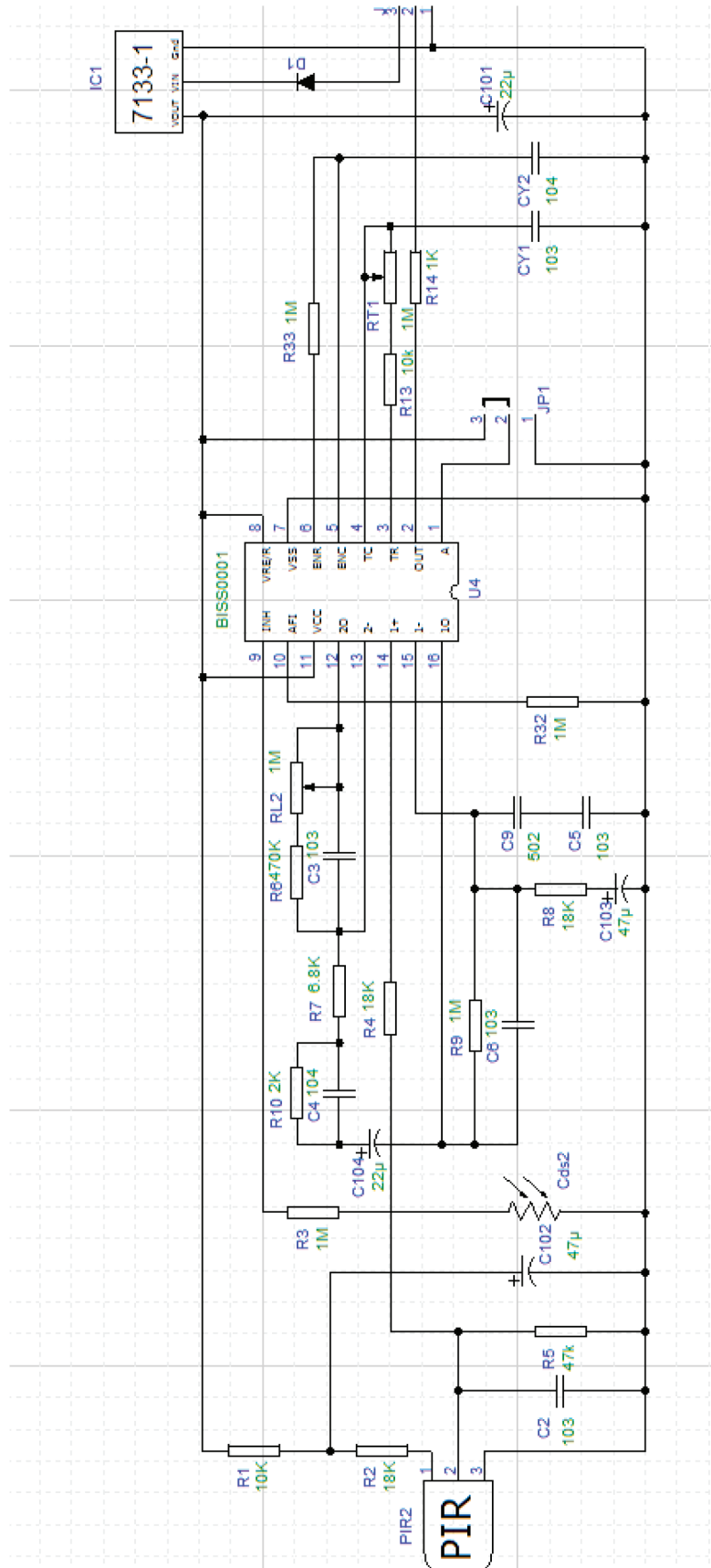


3.DC Load

Project 2

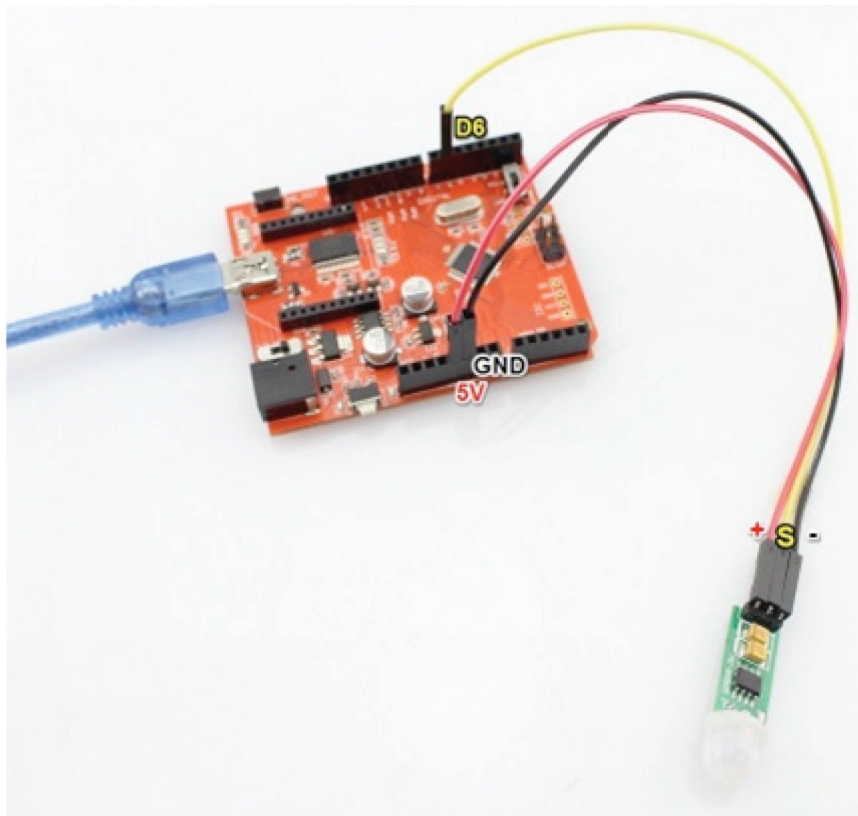


SCHEMATIC



Hardware

Connect the PIR Motion Sensor to your Arduino/Crowduino power supply pin and digital pins. You can connect the “s” terminal to any of your arduino Pins, like the “D6” as follows:



Programming

1. Copy the following program to Arduino IDE and upload to your Arduino/Crowduino:

```
void setup() {  
  Serial.begin(9600);  
  pinMode(6, INPUT);  
  digitalWrite(6, LOW);  
}  
void loop() {  
  if(digitalRead(6)==HIGH) {  
    Serial.println("Somebody is here.");  
  }  
  else {  
    Serial.println("Nobody.");  
  }  
  delay(1000);  
}
```

2. Open the Serial monitor, and set the baudrate to 9600, you will see that When somebody is in front of the sensor, the Serial Monitor will output "Somebody is here." Or, the Serial Monitor output "Nobody."

