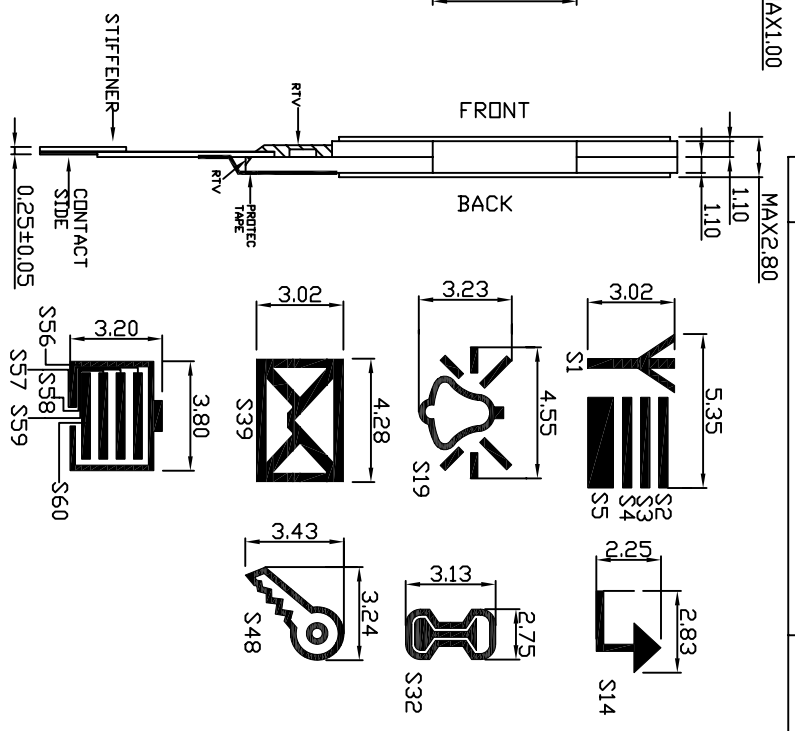
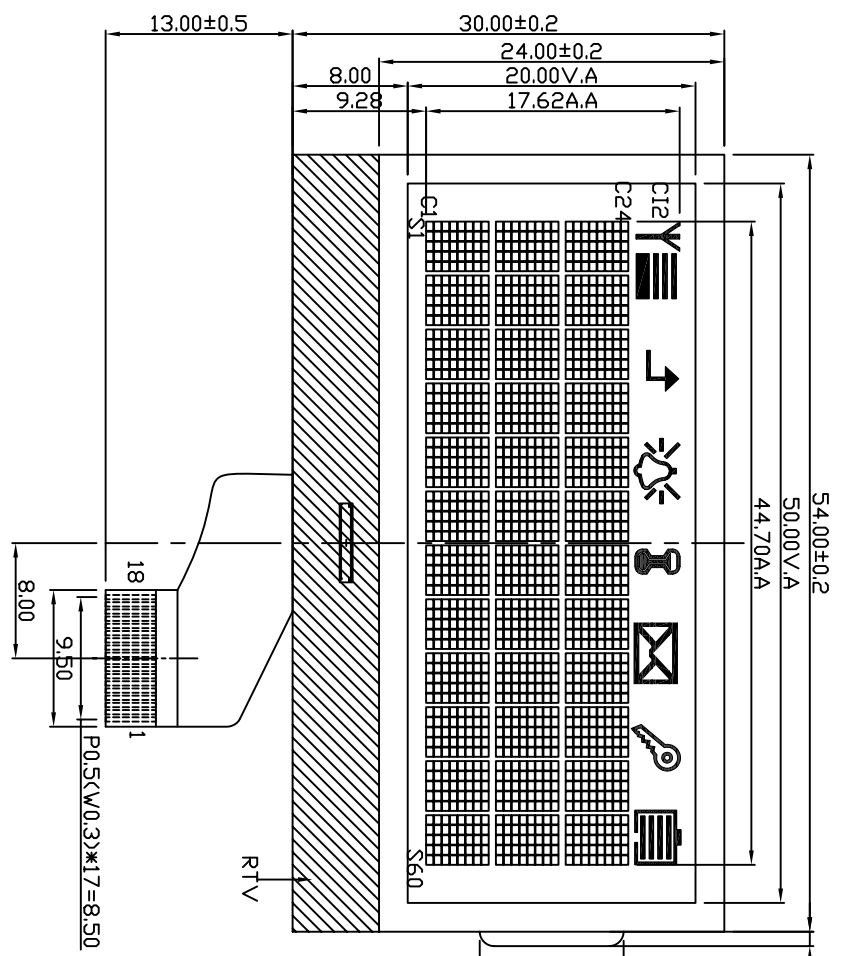


1	2	3	4	5	6	7	8	9
RES	CSB	SCK	SDA	VSS	VDD	VOUT	CAP3	CAP1P
10	11	12	13	14	15	16	17	18
CAP1NC	CAP2P	CAP2N	V0	V1	V2	V3	V4	NC



NOTE:
 1. FSTN, POSITIVE, HIGH-TRANSLFLECTIVE
 2. 1/26DUTY, 1/5BIAS, VOP: 6.2V
 3. VDD: 2.3V±0.2V
 4. VIEWING DIRECTION: 6:00
 5. OP.TEMP: -20°C~+70°C
 6. ST.TEMP: -30°C~+80°C
 7. DRIVER IC: ST7038-0B

ALL ICONS SCALE 2:1

HTDISPLAY CO., LTD.

DRAWING No.: HC120301G-FR62N-VA
 DRAWING TITLE: LCM
 FILE NO.: 6

TOLERANCE	
>0~6	±0.10
>6~80	±0.20
>80~240	±0.30
>240~400	±0.50
// L ⊙	±0.10

DESIGN	ZDUYS	06.02.18	STANDARD	REV. : A	SCALE : -
CHECKED			TECHNOLOGY	PROJECTION:	UNIT : MM
APPROVED			QA		SHEET : 1/1

REV.	CHANGE CONTENT	BY	DATE