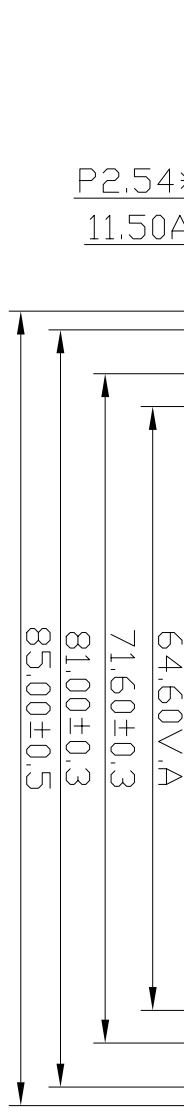
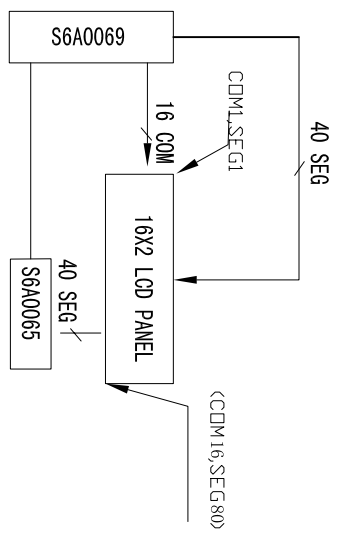
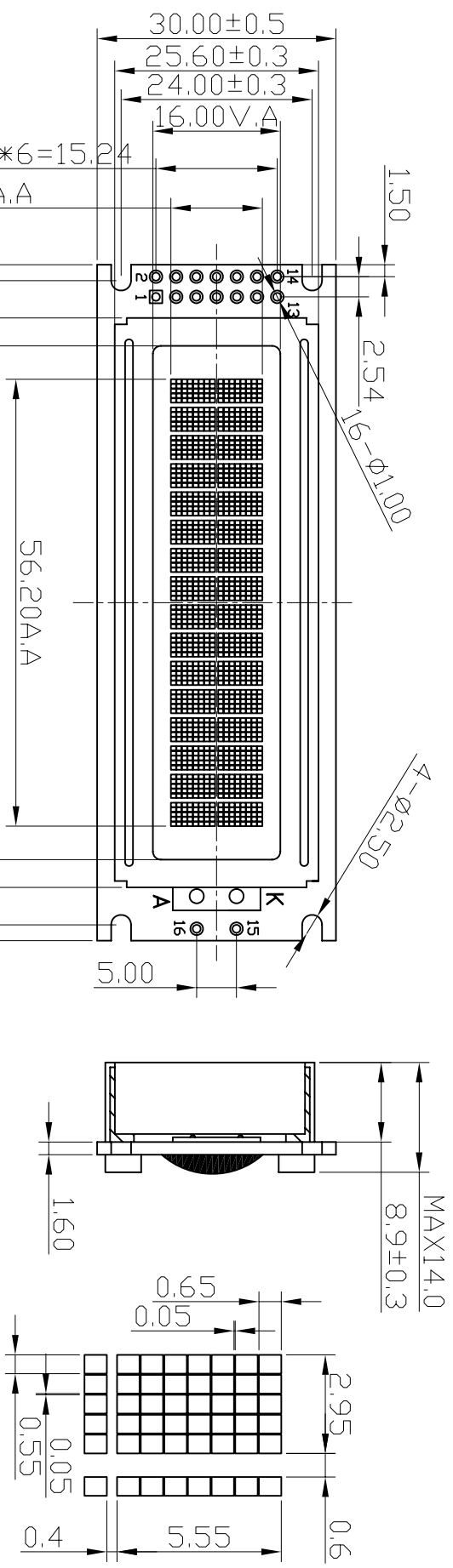


REV.	CHANGE CONTENT	BY	DATE



PIN	1	2	3	4	5	6	7	8	9	10	11	12	13	14	15	16
SYMBOL	VDD	GND	V0	RS	R/W	E	DD	D1	D2	D3	D4	D5	D6	D7	LED+	LED-

TOLERANCE	>0~6 ±0.10	>6~80 ±0.20	>80~240 ±0.30	>240~400 ±0.50	// L @ ±0.10
DESIGN	HTDISPLAY CO., LTD.				
CHECKED	STANDARD				
APPROVED	TECHNOLOGY				
	Q.A				

- NOTE:
1. DISPLAY TYPE: STN-Y/G-POSITIVE
 2. DISPLAY MODE: TRANSFLECTIVE
 3. DRIVE METHOD: 1/16 DUTY, 1/5 BIAS, 4.6V Vop, 5V VDD
 4. VIEWING DIR.: 6:00
 5. OP. TEMP.: -20°C~70°C
 6. ST. TEMP.: -30°C~80°C
 7. BACKLIGHT: COLOR-Y/G, 5.0±0.2V, 130mA, MIN.80 CD/m
 8. DRIVER IC: S6A0069, S6A0065

DRAWING No. :	HCI60202C-YF62L-VA
DRAWING TITLE :	LCM DRAWING
FILE NO. :	8
REV. :	A
PROJECTION :	
UNIT :	mm
SHEET :	1/1