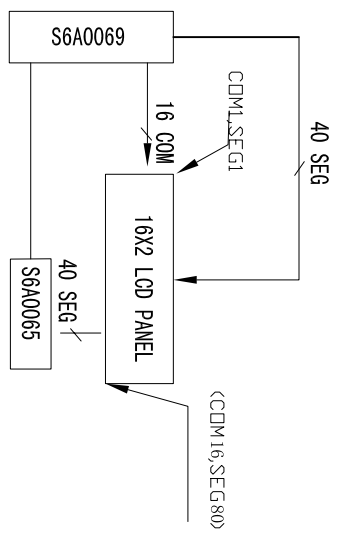
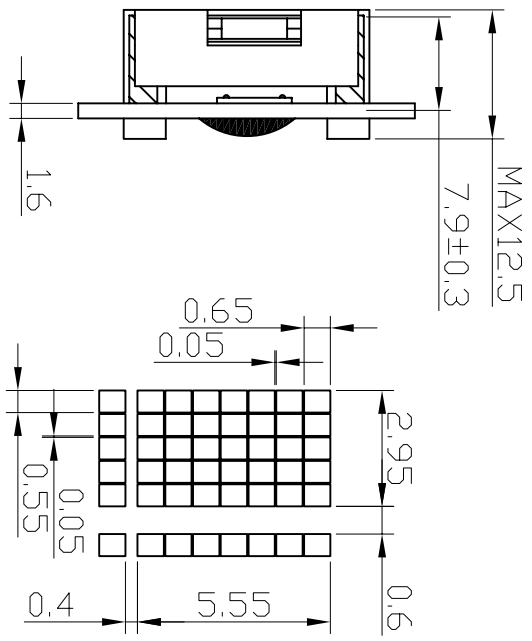
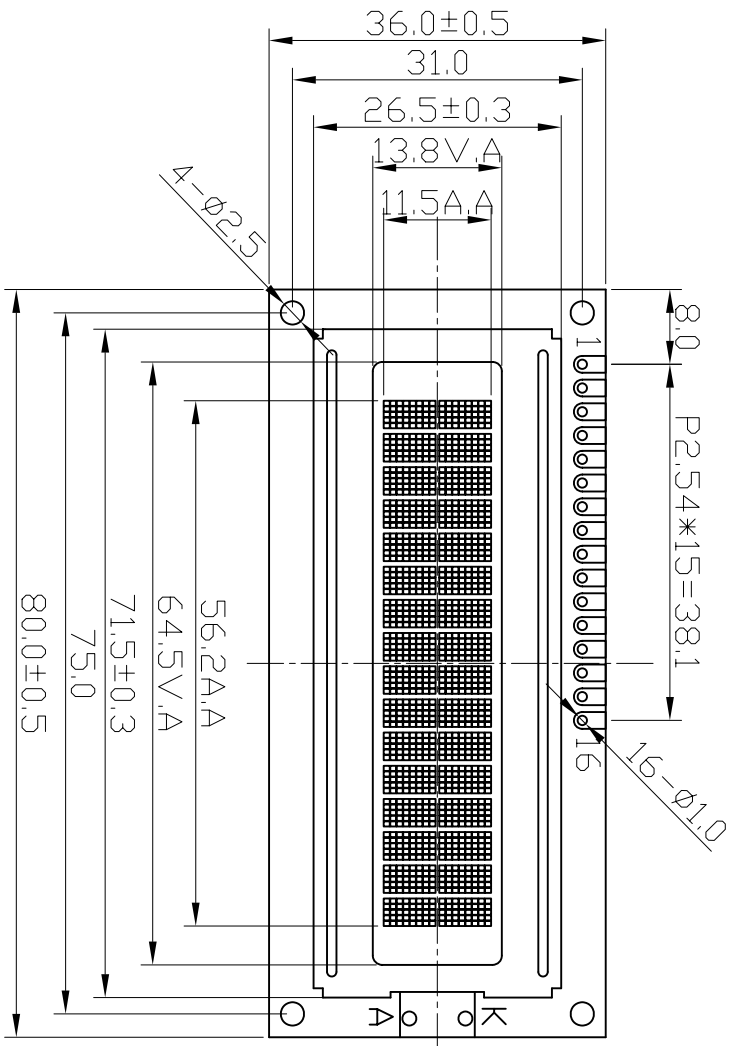


REV.	CHANGE CONTENT	BY	DATE



PIN	1	2	3	4	5	6	7	8	9	10	11	12	13	14	15	16
SYMBOL	GND	VDD	V0	RS	R/W	E	DD	D1	D2	D3	D4	D5	D6	D7	LED+	LED-

TOLERANCE	HTDISPLAY CO., LTD.		DESIGN	WANG RUM	061217	STANDARD	REV. : A	SCALE : -
>0~6 ±0.10			CHECKED			TECHNOLOGY		UNIT : mm
>6~80 ±0.20			APPROVED			Q.A		SHEET : 1/1
>80~240 ±0.30								
>240~400 ±0.50								
// 1.0 ±0.10								

- NOTE:
1. DISPLAY TYPE: STN-GRAY-POSITIVE
 2. DISPLAY MODE: TRANSPARENT
 3. DRIVE METHOD: 1/16 DUTY, 1/5 BIAS, 4.6V Vop, 5V VDD
 4. VIEWING DIR.: 6:00
 5. OP. TEMP.: -20°C~70°C
 6. ST. TEMP.: -30°C~80°C
 7. BACKLIGHT: COLOR-γ/G, 4.1±0.2V, 130mA, MIN.80 CD/m
 8. DRIVER IC:S6A0069,S6A0065