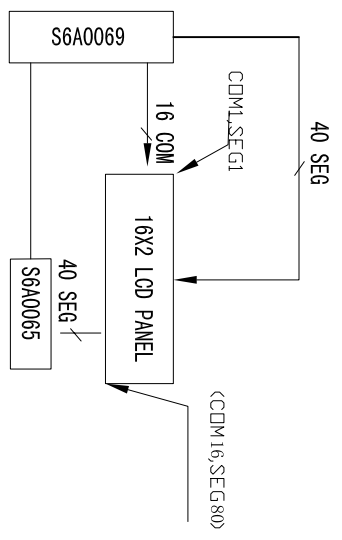
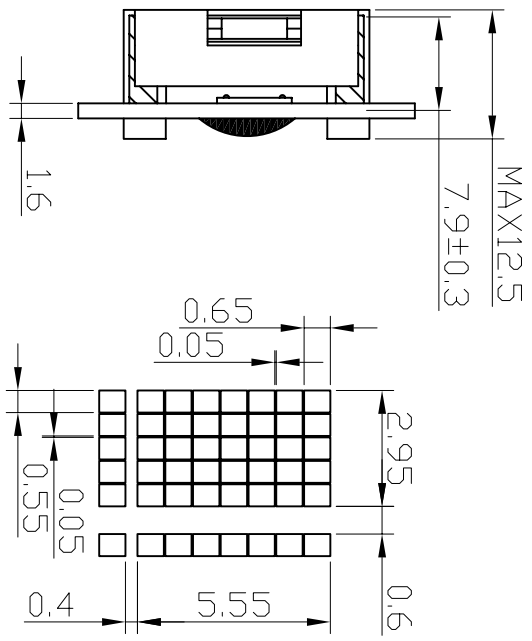
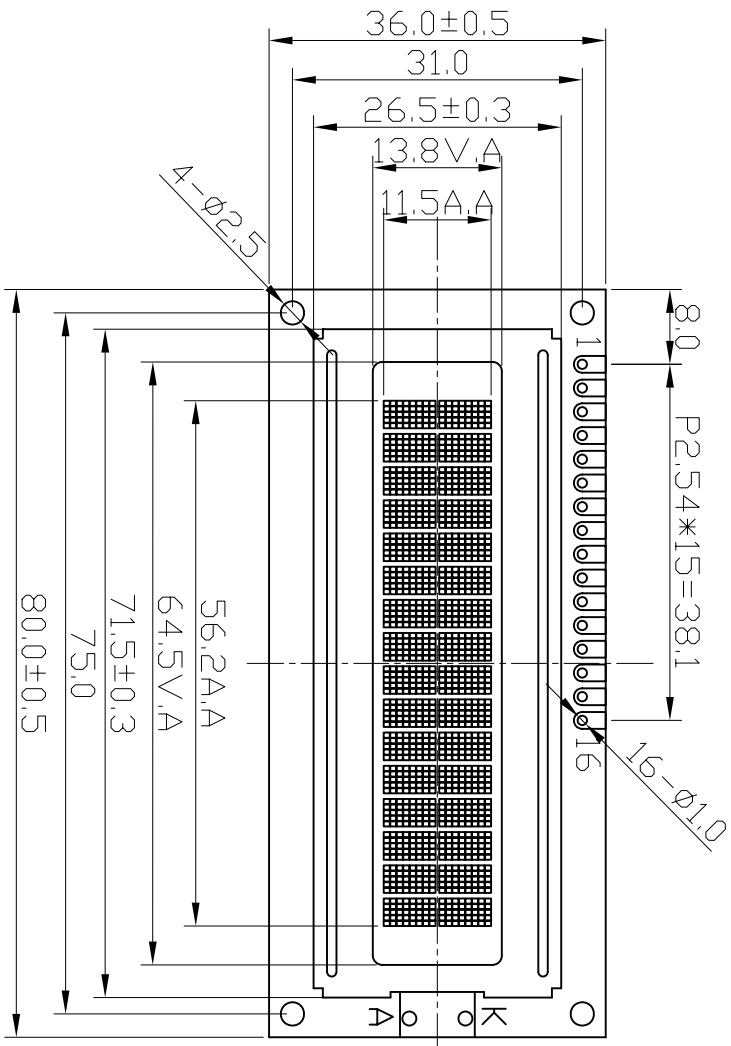


REV.	CHANGE CONTENT	BY	DATE



PIN	1	2	3	4	5	6	7	8	9	10	11	12	13	14	15	16
SYMBOL	GND	VDD	V0	RS	R/W	E	DD	D1	D2	D3	D4	D5	D6	D7	LED+	LED-

- NOTE:
1. DISPLAY TYPE: STN-Y/G-POSITIVE
 2. DISPLAY MODE: TRANSFLECTIVE
 3. DRIVE METHOD: 1/16 DUTY, 1/5 BIAS, 4.6V Vop, 5V VDD
 4. VIEWING DIR.: 6:00
 5. OP. TEMP.: -20°C~70°C
 6. ST. TEMP.: -30°C~80°C
 7. BACKLIGHT: COLOR-Y/G, 4.1±0.2V, 130mA, MIN.80 CD²/m
 8. DRIVER IC:S6A0069,S6A0065

TOLERANCE	HTDISPLAY CO., LTD.		DESIGN	ZOUYS	05.10.28	STANDARD	REV. : A	SCALE : -
>0~6 ±0.10	HTDISPLAY CO., LTD.		CHECKED			TECHNOLOGY	PROJECTION:	UNIT : mm
>6~80 ±0.20	HTDISPLAY CO., LTD.		APPROVED			Q.A	PROJECT:	SHEET : 1/1
>80~240 ±0.30	HTDISPLAY CO., LTD.							
>240~400 ±0.50	HTDISPLAY CO., LTD.							
// 1.0 ±0.10	HTDISPLAY CO., LTD.							