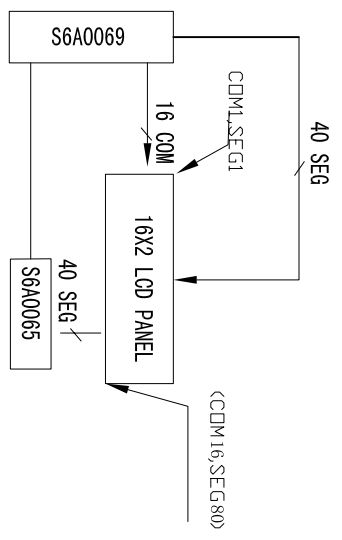
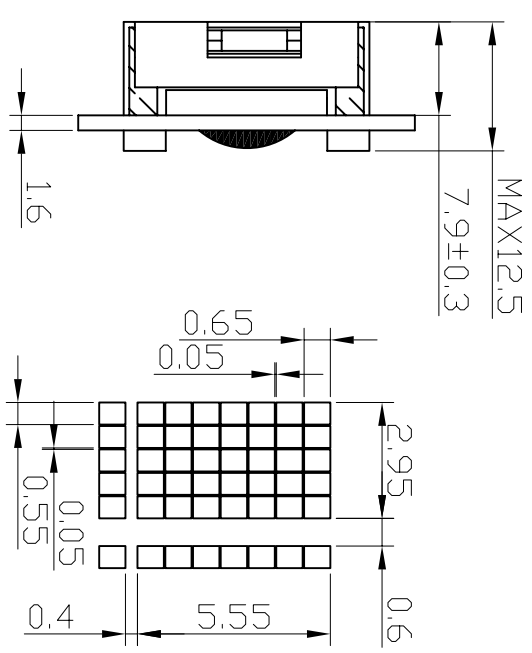
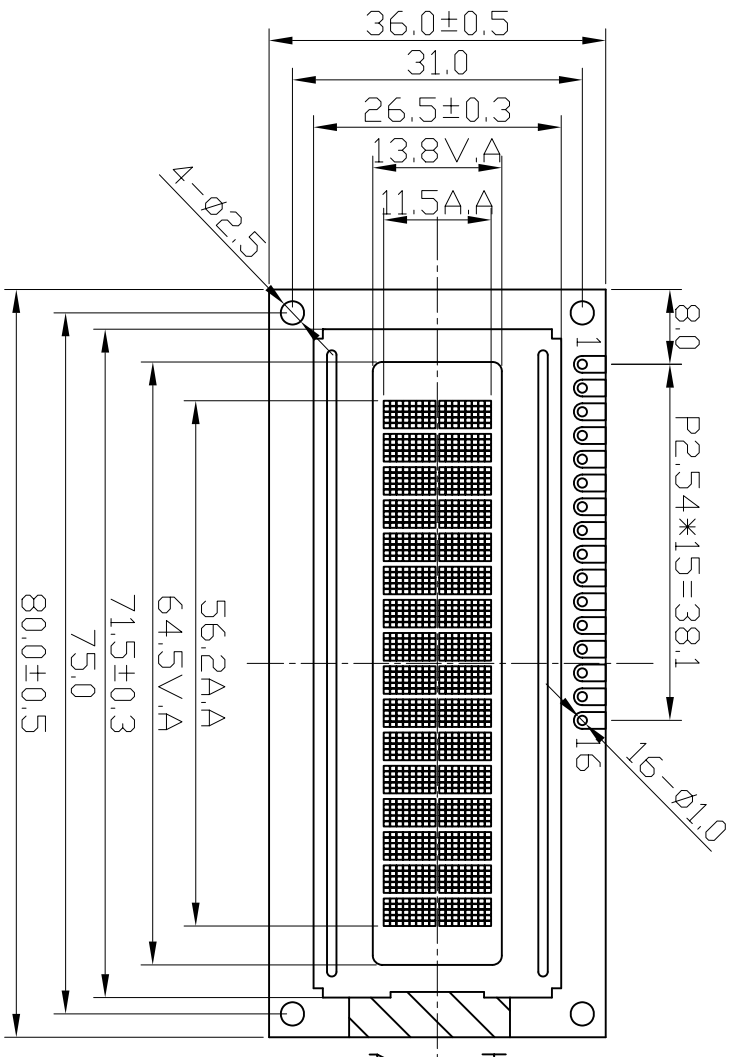


REV.	CHANGE CONTENT	BY	DATE



PIN	1	2	3	4	5	6	7	8	9	10	11	12	13	14	15	16
SYMBOL	GND	VDD	V0	RS	R/W	E	DD	D1	D2	D3	D4	D5	D6	D7	LED+	LED-

- NOTE:
1. DISPLAY TYPE: STN-BLUE-NEGATIVE
  2. DISPLAY MODE: TRANSMISSIVE
  3. DRIVE METHOD: 1/16 DUTY, 1/5 BIAS, 4.6V Vop, 5V VDD
  4. VIEWING DIR.: 6:00
  5. OP. TEMP.: -20°C~70°C
  6. ST. TEMP.: -30°C~80°C
  7. BACKLIGHT: COLOR-WHITE, 5.0±0.2V, 30mA, MIN.250 CD/m<sup>2</sup>
  8. DRIVER IC:S6A0069,S6A0065

TOLERANCE		HTDISPLAY CO., LTD.		DRAWING No. : HC160204C-b7162L-VB	
>0~6	±0.10	DESIGN	ZOUYS	06/04/24	STANDARD
>6~80	±0.20	CHECKED			TECHNOLOGY
>80~240	±0.30	APPROVED			Q.A
>240~400	±0.50				
// 1.0 @ ±0.10					