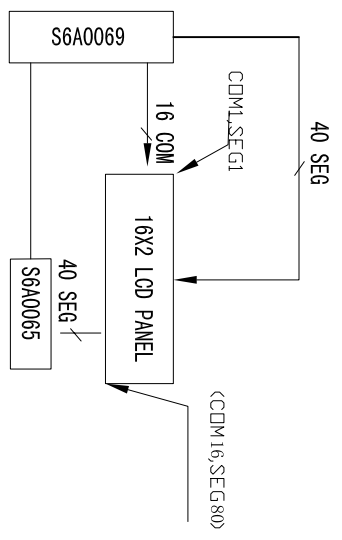
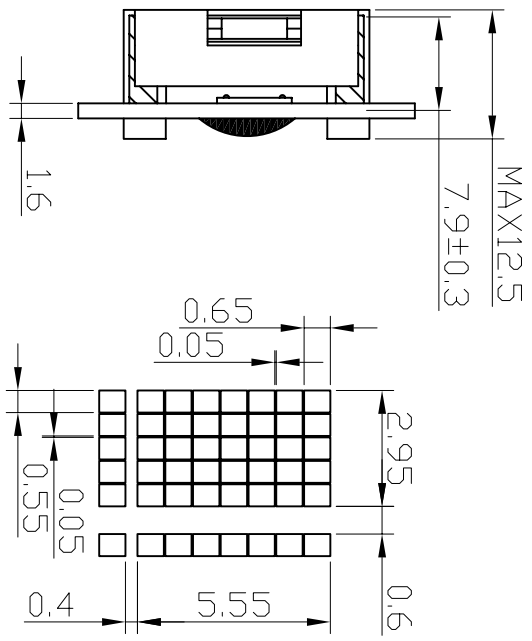
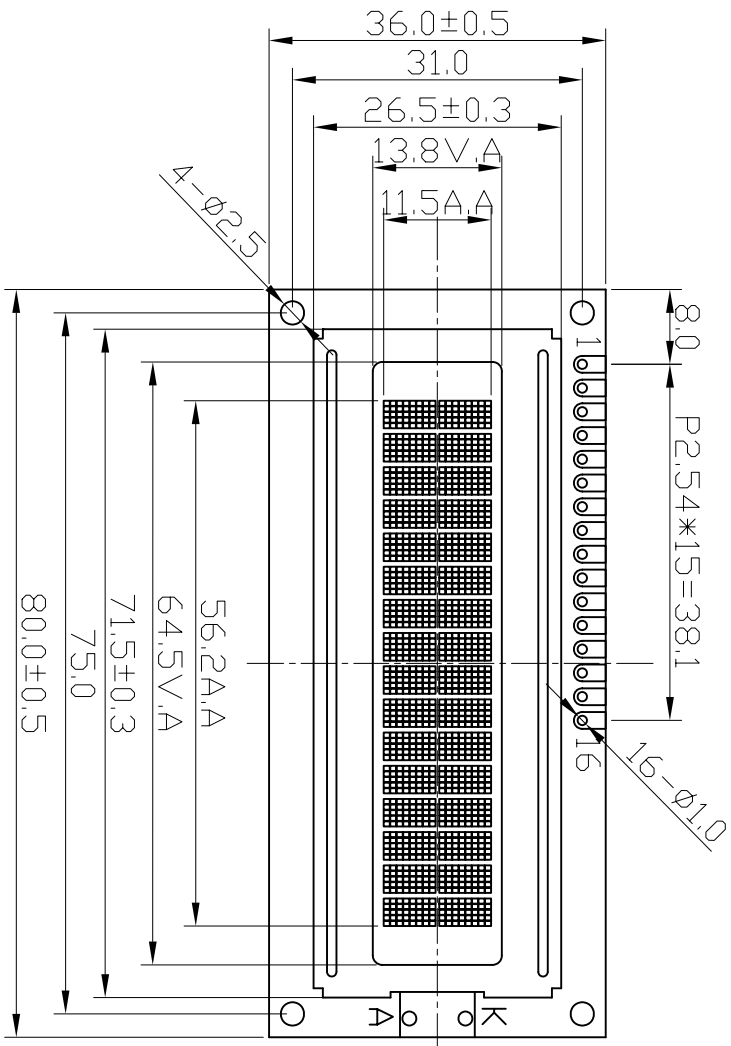


REV.	CHANGE CONTENT	BY	DATE



PIN	1	2	3	4	5	6	7	8	9	10	11	12	13	14	15	16
SYMBOL	GND	VDD	V0	RS	R/W	E	DD	D1	D2	D3	D4	D5	D6	D7	LED+	LED-

TOLERANCE		HT DISPLAY CO., LTD.		DESIGN		WANG RUM		061217		STANDARD		REV. : A		SCALE : -	
>0~6	±0.10			CHECKED				TECHNOLOGY				PROJECTION		UNIT : mm	
>6~80	±0.20														
>80~240	±0.30														
>240~400	±0.50														
// 1.0	±0.10	APPROVED													

- NOTE:
1. DISPLAY TYPE: STN-GRAY-POSITIVE
 2. DISPLAY MODE: TRANSPARENT
 3. DRIVE METHOD: 1/16 DUTY, 1/5 BIAS, 4.6V Vop, 5V VDD
 4. VIEWING DIR.: 6:00
 5. OP. TEMP.: -20°C~70°C
 6. ST. TEMP.: -30°C~80°C
 7. BACKLIGHT: COLOR-γ/G, 4.1±0.2V, 130mA, MIN.80 CD/m
 8. DRIVER IC: S6A0069, S6A0065