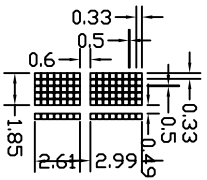
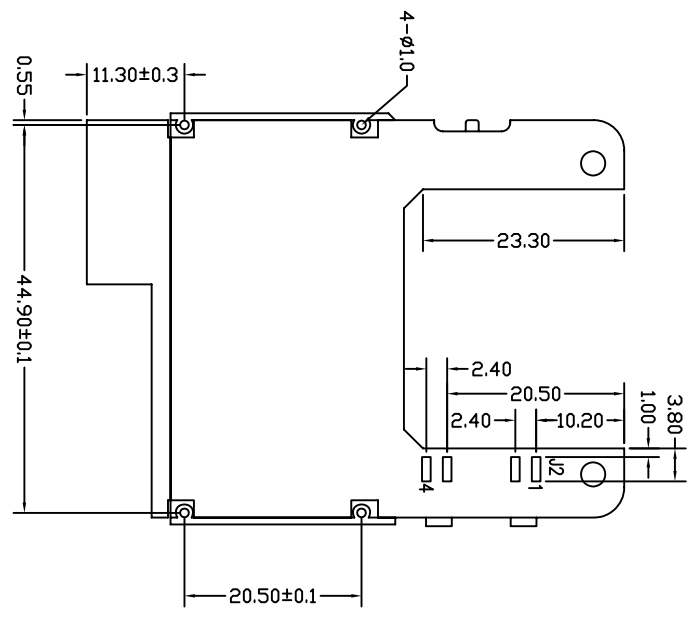
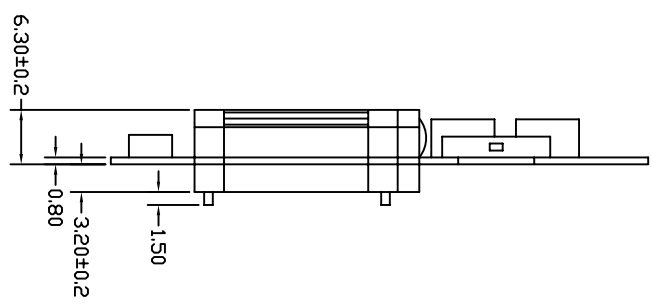
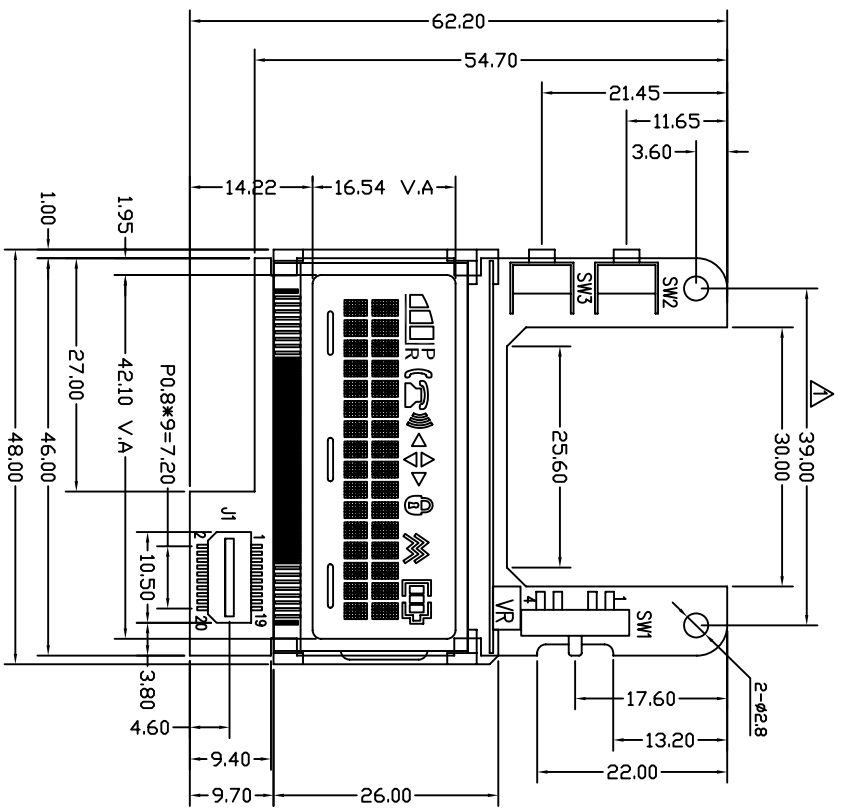


REV.	DESCRIPTION	BY	DATE
B	Δ Change from 36.0 to 39.0	JHG	20061222



J2.4 VSS	
PIN	1
LEDA	VDD
2	3
VDD	LEDK
4	5
CS	C/D
6	7
SO	SI
8	9
/SHT	J2.1 /RST
10	
PIN	11
SW1.3	12
SW1.1	13
SW1.2	14
SW1.4	15
SW3&2	16
SW2	17
SW3	18
J2.3	19
VSS	20
J2.2	

- NOTE:
1. DISPLAY TYPE: STN-POSITIVE-TRANSPARENT-GRAY
  2. VIEWING DIR.: 6:00
  3. DRIVE METHOD: 1/17DUTY, 1/5BIAS, Vop5.0V VDD:3.0V
  4. OP. TEMP.: -20°C~70°C
  5. ST. TEMP.: -30°C~80°C
  6. BACKLIGHT: LED Y/G 40mA 2.0V(TYP.)
  7. DRIVER IC : MSM6665

TOLERANCE	
>0~6	±0.10
>6~30	±0.20
>30~120	±0.30
>120~400	±0.50
// 1.0	±0.10

DESIGN	JHG	20061222	TECHNOLOGY	
CHECKED			Q.A	
STANDARD			APPROVED	

DRAWING No.:	HCI60213C-GF62L-VA
DRAWING TITLE:	LCD MODULE
FILE NO.:	7
REV.:	B
PROJECTION:	
SCALE:	-
UNIT:	MM
SHEET:	1/2

**HTDISPLAY CO., LTD.**