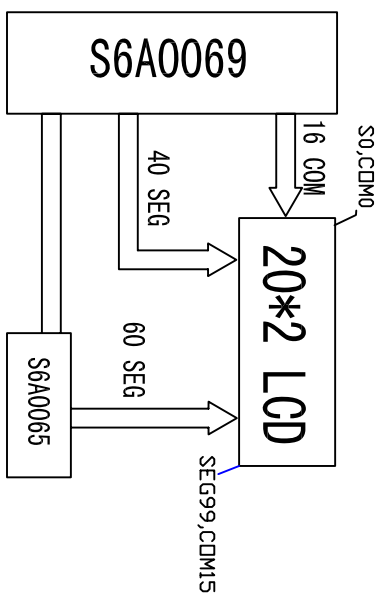
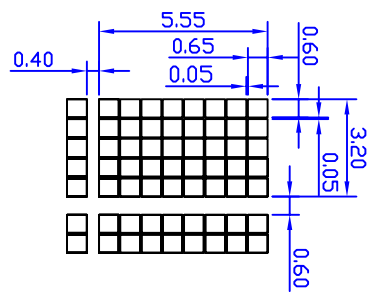
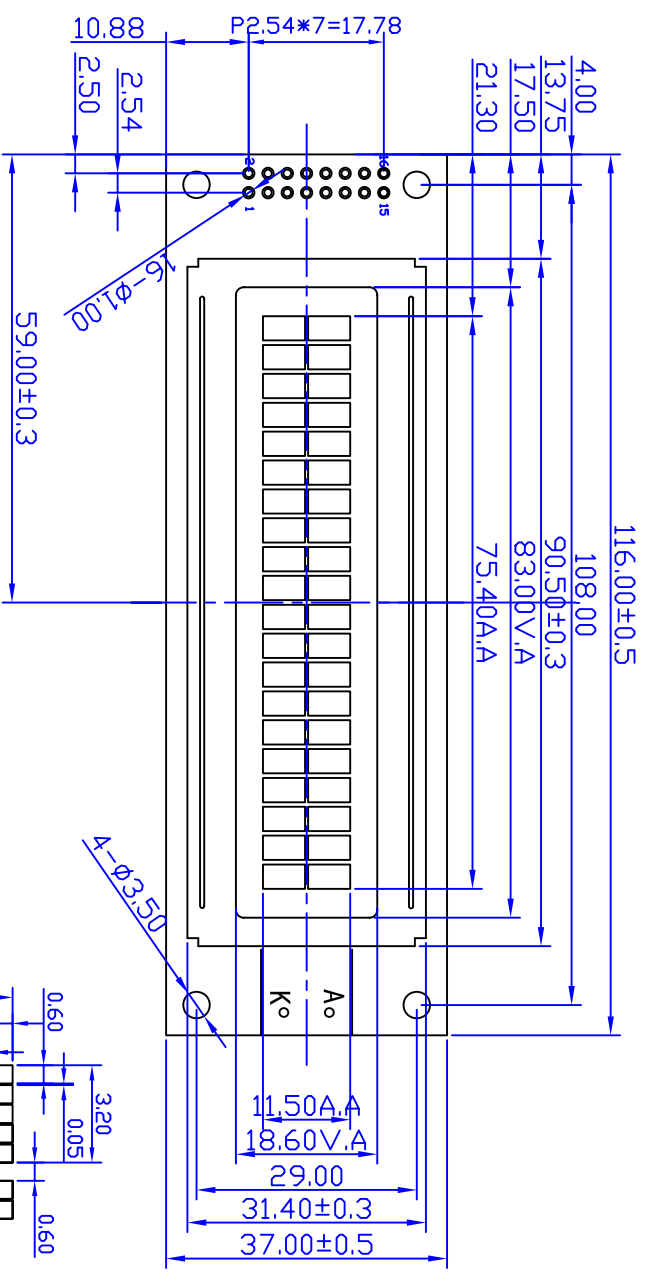
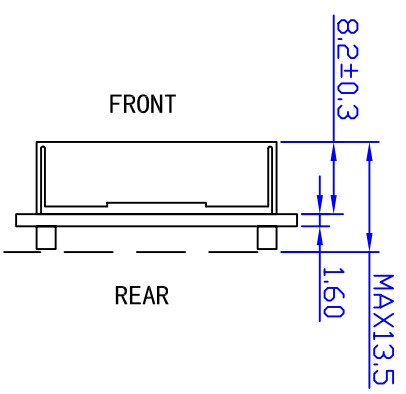


REV.	CHANGE CONTENT	BY	DATE



PIN NO.	1	2	3	4	5	6	7	8	9	10	11	12	13	14	15	16
SYMBOL	VSS	VDD	VO	RS	R/W	E	D0	D1	D2	D3	D4	D5	D6	D7	A	K

- NOTE:
1. DISPLAY TYPE: STN, POSITIVE, TRANSPARENT, Y-G
 2. VIEWING DIR: 6:00
 3. DRIVE METHOD: 1/16 DUTY, 1/5 BIAS, Vop 4.5V VDD=5.0V
 4. DP TEMP: -20~70°C
 5. ST TEMP: -30~80°C
 6. DRIVER IC: S6A0069
S6A0065
 7. LED B/L: VF=5.0±0.2V, IF=280mA
COLDR: Y/G

www.DataSheet4U.com

TOLERANCE		HT DISPLAY CO., LTD.		DRAWING No.: HC200201C-YF62L-VA	
>0~6	±0.10	DESIGN	ZOUYS	05.10.28	STANDARD
>6~80	±0.20	CHECKED			TECHNOLOGY
>80~240	±0.30	APPROVED			Q.A
>240~400	±0.50				
// 1.0	±0.10				
FILE NO.: 8		REV.: A		SCALE: -	
DRAWING TITLE: LCM DRAWING		PROJECTION:		UNIT: mm	
		SHEET: 1/1			

www.DataSheet4U.com