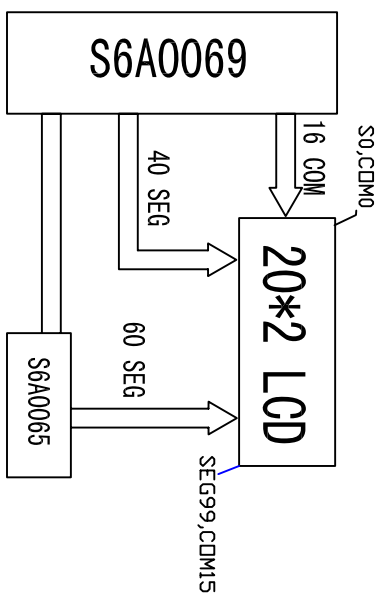
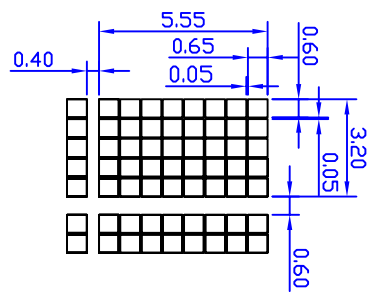
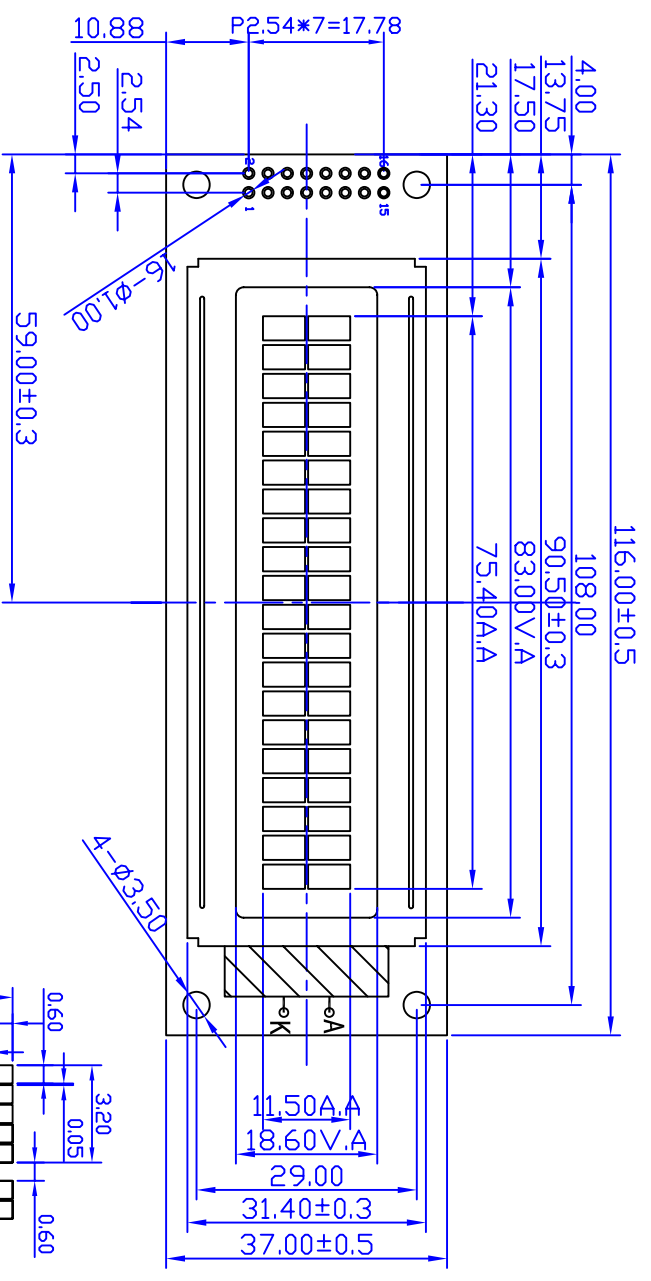
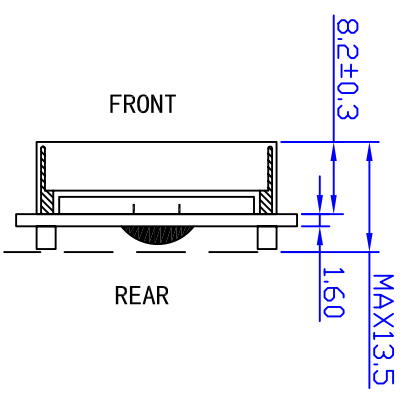


| REV. | CHANGE CONTENT | BY | DATE |
|------|----------------|----|------|
| | | | |
| | | | |
| | | | |



- NOTE:
1. DISPLAY TYPE: STN,NEGATIVE,TRANSMISSIVE,BLUE
 2. VIEWING DIR: 6:00
 3. DRIVE METHOD: 1/16DUTY,1/5BIAS,Vop 5.0V VDD=5.0V
 4. DP.TEMP: -20~70°C
 5. ST.TEMP: -30~80°C
 6. DRIVER IC: S6A0069 S6A0065
 7. LED B/L: VF=3.3±0.2V,IF=30mA
COLDR:WHITE

| PIN NO. | 1 | 2 | 3 | 4 | 5 | 6 | 7 | 8 | 9 | 10 | 11 | 12 | 13 | 14 | 15 | 16 |
|---------|-----|-----|----|----|-----|---|----|----|----|----|----|----|----|----|----|----|
| SYMBOL | VSS | VDD | VO | RS | R/W | E | D0 | D1 | D2 | D3 | D4 | D5 | D6 | D7 | A | K |

| TOLERANCE | | HT DISPLAY CO., LTD. | | DRAWING No. : HC200201C-b162L-VC | |
|-----------|-------|----------------------|-------|----------------------------------|------------|
| >0~6 | ±0.10 | DESIGN | ZOUYS | 060313 | STANDARD |
| >6~80 | ±0.20 | CHECKED | | | TECHNOLOGY |
| >80~240 | ±0.30 | APPROVED | | | Q.A |
| >240~400 | ±0.50 | | | | |
| // 1.0 | ±0.10 | | | | |