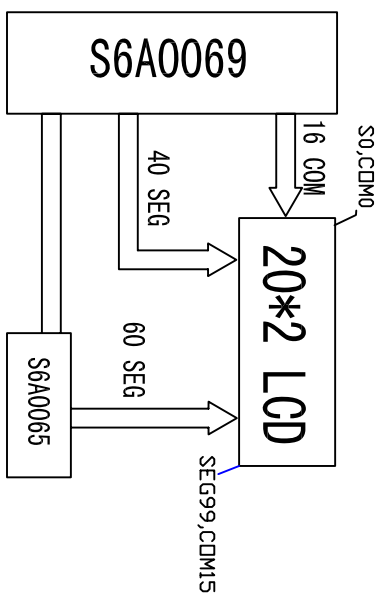
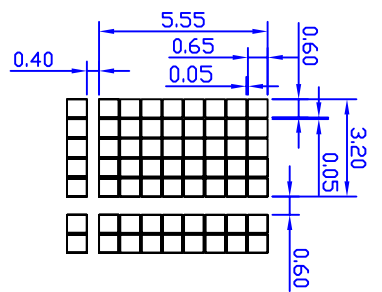
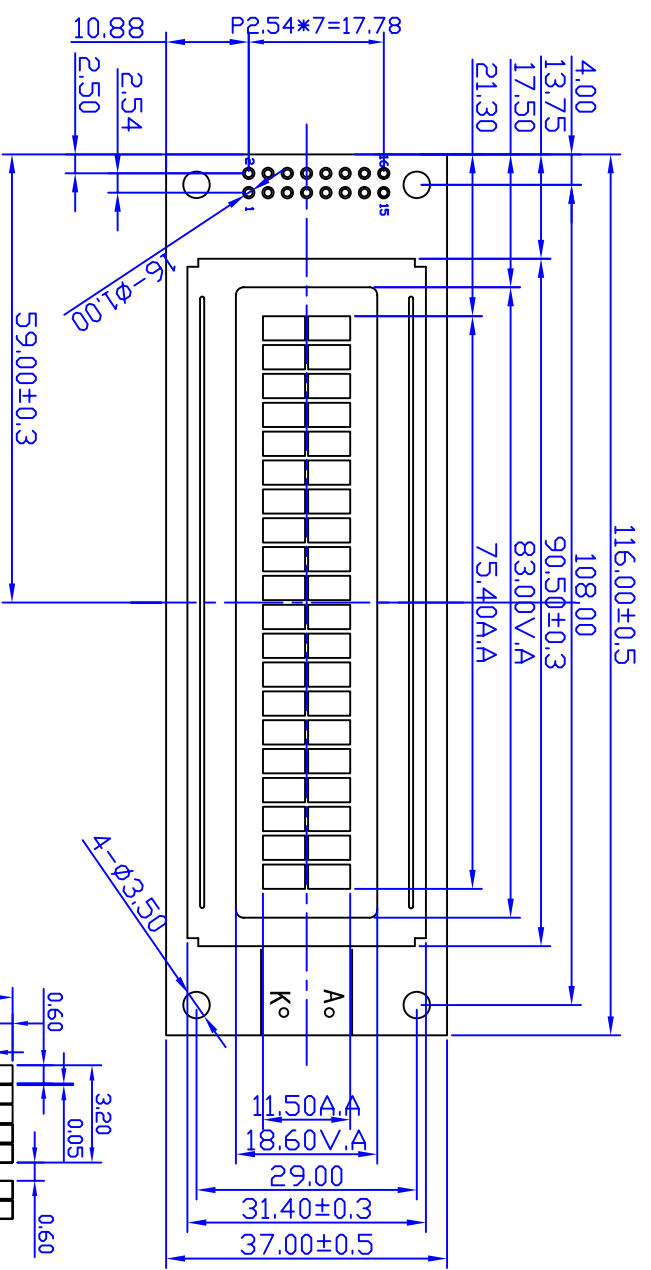
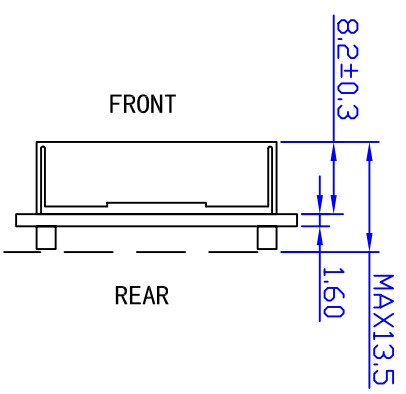


| REV. | CHANGE CONTENT | BY | DATE |
|------|----------------|----|------|
| | | | |
| | | | |
| | | | |

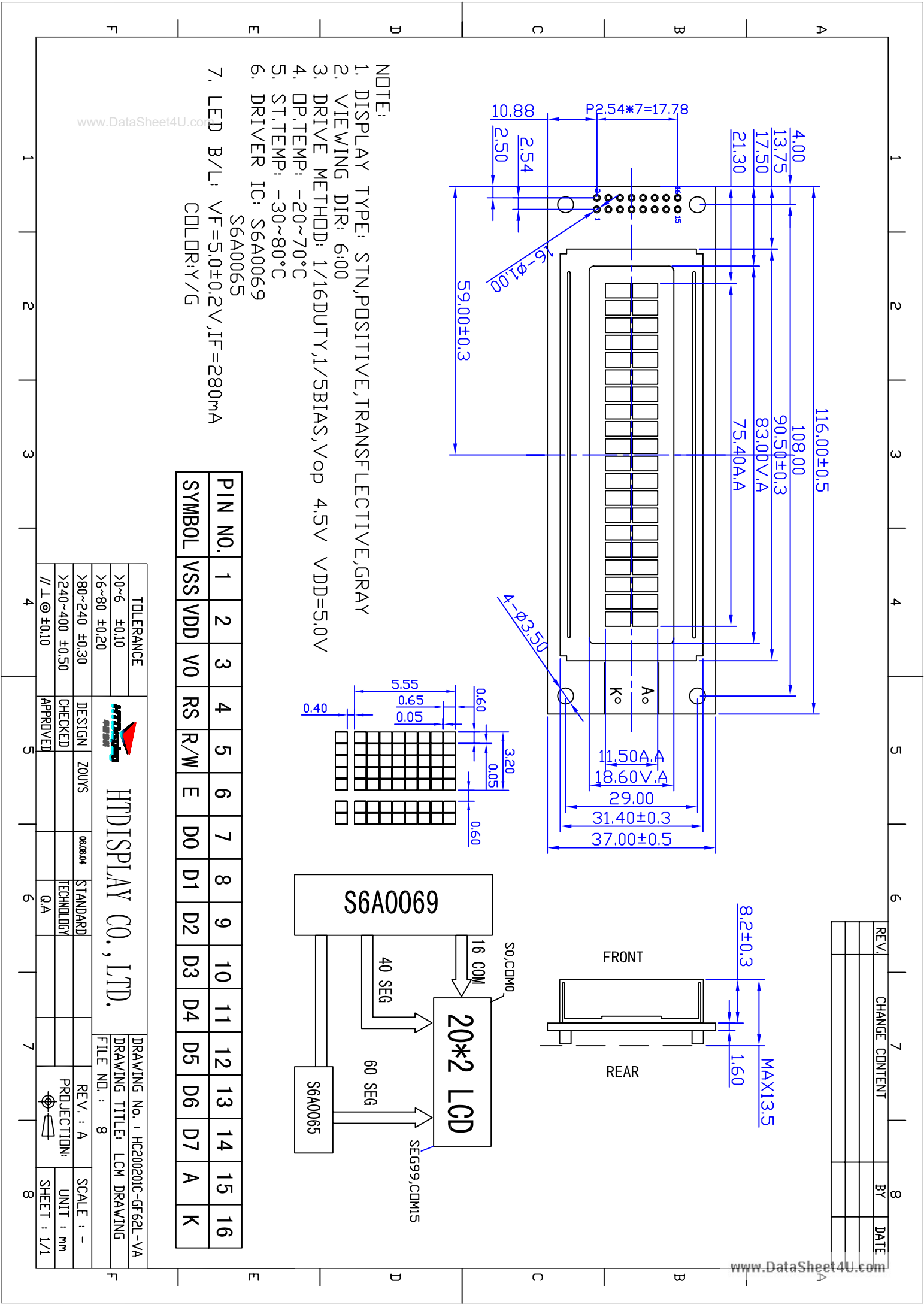


| PIN NO. | 1 | 2 | 3 | 4 | 5 | 6 | 7 | 8 | 9 | 10 | 11 | 12 | 13 | 14 | 15 | 16 |
|---------|-----|-----|----|----|-----|---|----|----|----|----|----|----|----|----|----|----|
| SYMBOL | VSS | VDD | VO | RS | R/W | E | D0 | D1 | D2 | D3 | D4 | D5 | D6 | D7 | A | K |

- NOTE:
1. DISPLAY TYPE: STN, POSITIVE, TRANSPARENT, GRAY
 2. VIEWING DIR: 6:00
 3. DRIVE METHOD: 1/16 DUTY, 1/5 BIAS, Vop 4.5V VDD=5.0V
 4. DP TEMP: -20~70°C
 5. ST TEMP: -30~80°C
 6. DRIVER IC: S6A0069
S6A0065
 7. LED B/L: VF=5.0±0.2V, IF=280mA
COLOR: Y/G

www.DataSheet4U.com

| | | | | | |
|-----------|-------|---------------------|-------|---------------------------------|------------|
| TOLERANCE | | HTDISPLAY CO., LTD. | | DRAWING No.: HC200201C-GF62L-VA | |
| >0~6 | ±0.10 | DESIGN | ZOJYS | 060804 | STANDARD |
| >6~80 | ±0.20 | CHECKED | | | TECHNOLOGY |
| >80~240 | ±0.30 | APPROVED | | | Q.A |
| >240~400 | ±0.50 | | | | |
| // 1.0 | ±0.10 | | | | |



www.DataSheet4U.com