

Characteristics:

High Power DC motor

Specifications:

Dimensions	: Ø 27.5 X 38.0 mm
Shaft Diameter	: Ø 2.305 mm
Input Voltage	: 39.0 V DC
No Load Speed	: 21000 rpm
No Load Current	: 0.15 A
Nominal Speed	: 16800 rpm
Nominal Torque	: 14.00 mNm
Nominal Current	: 0.80 A
Stall Torque	: 70.00 mNm
Stall Current	: 4.00 A
Maximum Output Power	: 40.00 W
Maximum Efficiency	: 70 %
Torque at Maximum Efficiency	: 10.00 mNm
Speed at Maximum Efficiency	: 17500 rpm
Life (typical)	: 150 hr
Weight	: 66 g
Operation Temperature	: -10 to 55 °C
Storage Temperature	: -20 to 80 °C
Electrical Connection	: Terminals



Ø 25.0 – 29.9 mm

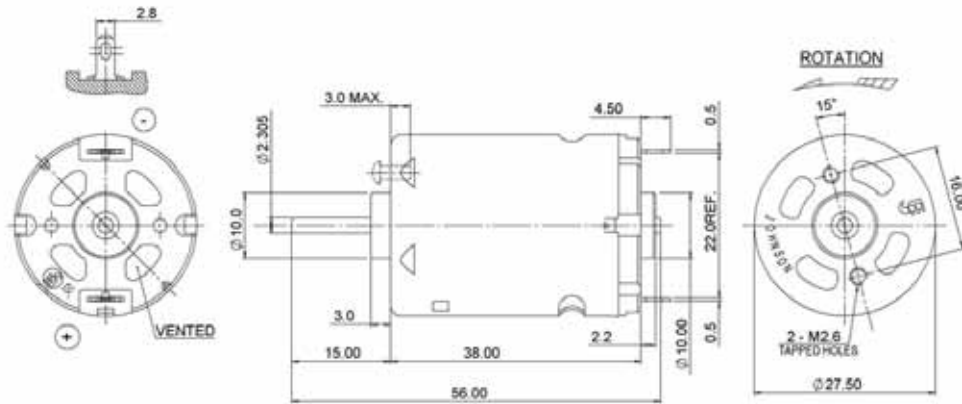
Performance Data:

	No Load	Stall	Max Efficiency	Max Power
Current (A)	0.15	4.00	0.70	2.00
Efficiency (%)	-	-	70	48
Output Power (W)	-	-	20.00	40.00
Speed (rpm)	21000	-	17500	10000
Torque (mNm)	-	70.00	10.00	35.00

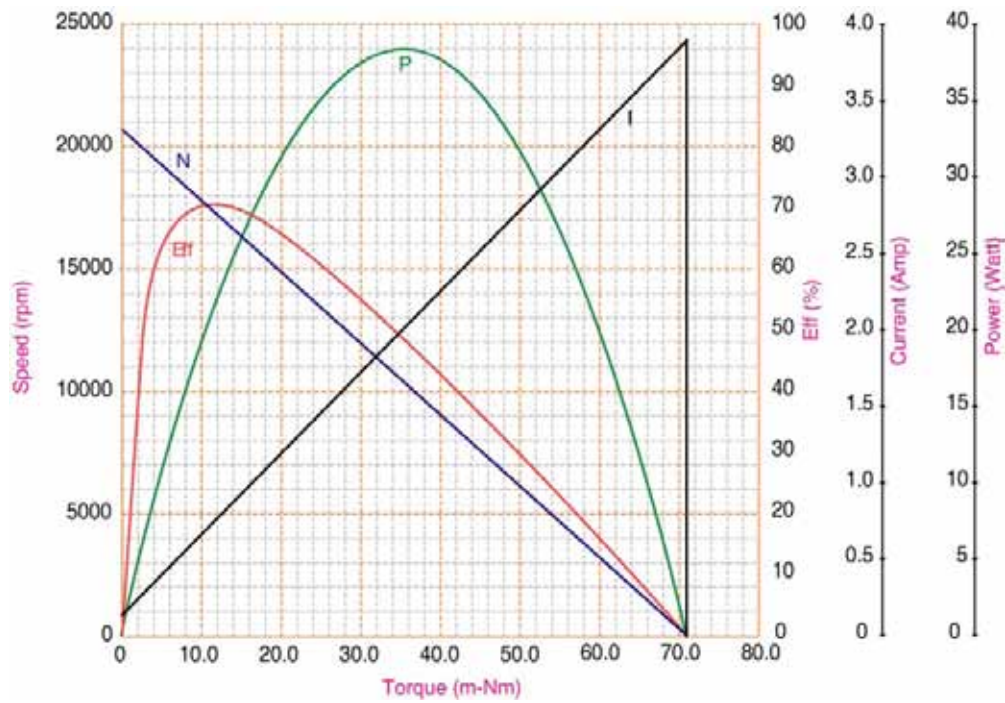
Application Examples:

Hair Dryers

Drawing:



Performance Curves:



Units in Metric

Ø 25.0 – 29.9 mm