

## Low Profile SM Resistance Weld Crystal

# HC49SD

The HC49SD series is a miniature AT or BT cut strip resonator crystal housed in low profile for surface mounting. The parts present a proven metal package technology with a precision molded base and universal contact configuration.

### Specifications:

**Frequency Range:** 3.2 MHz ~ 40 MHz Fundamental  
20 MHz ~ 70 MHz Overtone

**Operating Temperature:**

0°C ~ +50°C	-A
-10°C ~ +60°C	-B
-20°C ~ +70°C	-C
-40°C ~ +85°C	-L

**Storage Temperature:** -55°C ~ +125°C

**Frequency Tolerance:**

± 50 ppm	-50
(at 25°C)	
± 30 ppm	-30
± 20 ppm	-20
± 10 ppm	-10

**Frequency Stability:**

± 50 ppm	-50
(over temperature range)	
± 30 ppm	-30
± 20 ppm	-20
± 10 ppm	-10

**Circuit Condition:** 10 pF ~ 32 pF or series

**Equivalent Series Resistance:** Maximum resistance corresponds to frequency. Please see ESR table.

**Drive Level:** 1.0 mW max

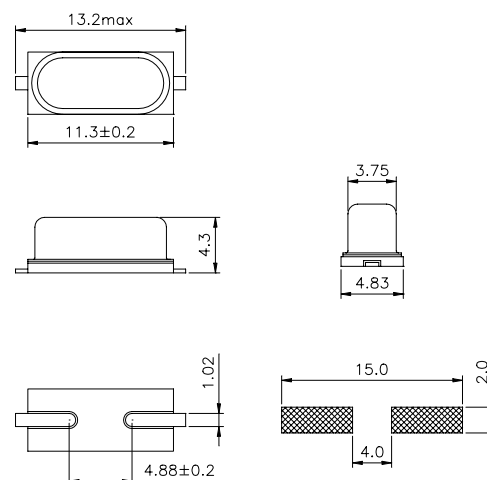
**Shunt Capacitance:** 7 pF max

**Aging:** ± 5 ppm max per year

**Optional Features:**

Fundamental	-F
3 <sup>rd</sup> , 5 <sup>th</sup> , 7 <sup>th</sup> O.T.	-3,5,7
Tape & Reel	-TR

### HC-49SD



All dimensions are in mm

### Ordering Information

Product name + CL + Operating Temperature Range + Tolerance + Stability + Other Code + Frequency.

i.e. HC49SD-20-C-30-30-F-24.000MHz

#### Note:

- Other frequencies, tolerances, stabilities, and operating temperature ranges available. Consult VTC Support for specific requirements.
- Not all combinations of the above tolerances, stabilities, and temperature ranges are available. Consult VTC Support if your requirement is not standard.
- All specifications subject to change without notice.