

Low Profile Resistance Weld Crystal

The HC49S series is a low profile AT-cut or BT-cut strip crystal housed in a low profile package meeting the standard 0.200" board spacing.

- Low cost for volume applications
- Tight specifications available
- Wide frequency range available
- Complies with Directive 2002/95/EC (RoHS Compliant)

HC49S

RoHS Compliant

Specifications:

HC-49/S

Frequency Range: 3.2 MHz ~ 40 MHz Fundamental
20 MHz ~ 70 MHz Overtone

Operating Temperature:

| | |
|---------------|----|
| 0°C ~ +50°C | -A |
| -10°C ~ +60°C | -B |
| -20°C ~ +70°C | -C |
| -40°C ~ +85°C | -L |

Storage Temperature: -40°C ~ +85°C

Frequency Tolerance:

| | |
|-----------|-----|
| ± 50 ppm | -50 |
| (at 25°C) | |
| ± 30 ppm | -30 |
| ± 20 ppm | -20 |
| ± 10 ppm | -10 |

Frequency Stability:

| | |
|--------------------------|-----|
| ± 50 ppm | -50 |
| (over temperature range) | |
| ± 30 ppm | -30 |
| ± 20 ppm | -20 |
| ± 10 ppm | -10 |

Circuit Condition: 10 pF ~ 32 pF or series

Equivalent Series Resistance: Maximum resistance corresponds to frequency. Please see ESR table.

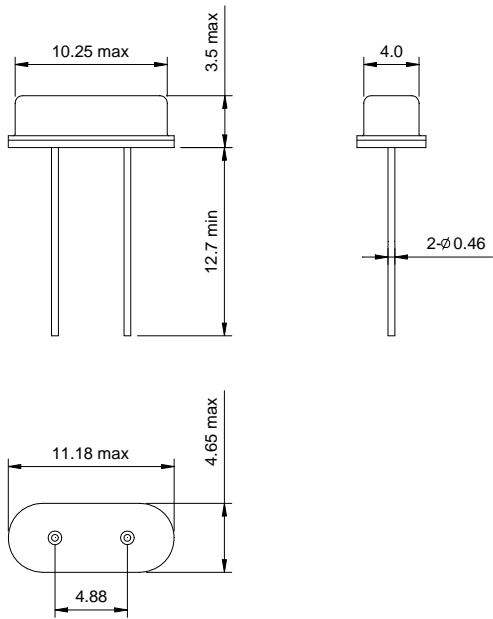
Drive Level: 1.0 mW max

Shunt Capacitance: 7 pF max

Aging: ± 5 ppm max per year

Optional Features:

| | |
|--|--------|
| Fundamental | -F |
| 3 rd , 5 th , 7 th O.T. | -3,5,7 |
| Tape & Reel | -TR |



All dimensions are in mm

Ordering Information

Product name + CL + Operating Temperature Range + Tolerance + Stability + Other Code + Frequency.

i.e. HC49S-20-C-30-30-F-24.000MHz

- Note:
1. Other frequencies, tolerances, stabilities, and operating temperature ranges available. Consult VTC Support for specific requirements.
 2. Not all combinations of the above tolerances, stabilities, and temperature ranges are available. Consult VTC Support if your requirement is not standard.
 3. All specifications subject to change without notice.