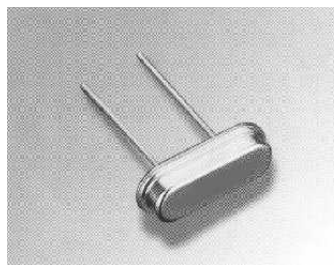


Quartz THT



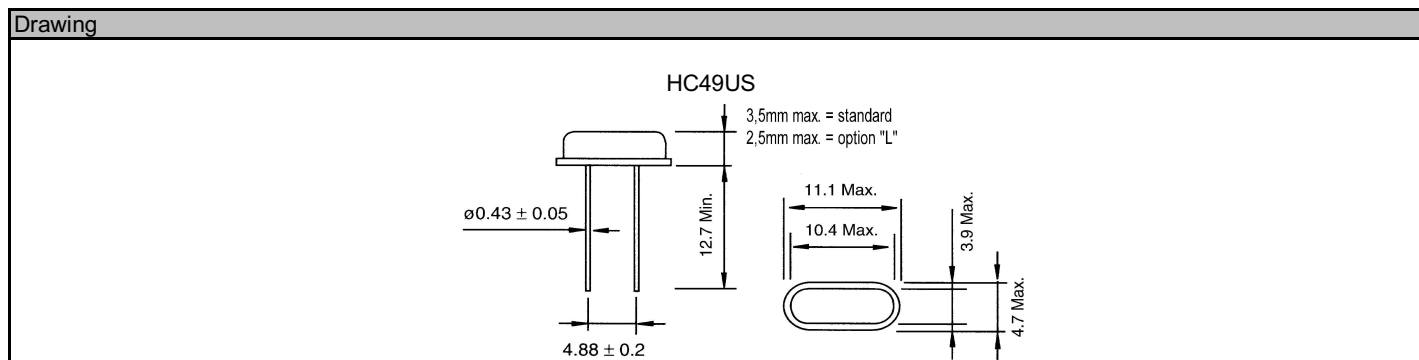
HC49US

Features:

- Wide frequency range
- Low cost to performane
- Excellent for clock frequency generation
- Very low profile

| Specifications | | | | |
|------------------------------|-------------------------|------------------|------------------------------|--------------------|
| | | Symbol | HC49US | Remarks |
| Frequency range | | f | 3.5MHz ~ 35.000MHz | Fundamental mode |
| | | | 30.000MHz ~ 90.000MHz | Overtone mode |
| Frequency tolerance, Ta=25°C | | f/f | ± 3ppm ~ ± 50ppm | Please specify |
| Load capacitance | | C _L | 5pF ~ 50pF or user specify | Please specify |
| Temperature tolerance | | f/f | ±3ppm ~ ± 50ppm | Please specify |
| Temperature range | Storage temp. | T _{STG} | -40°C ~ +105°C | |
| | Operating temp. | T _{OPR} | 0°C ~ +50°C / -40°C ~ +105°C | Others are offered |
| Drive level | Maximum drive level | M _{DL} | 1000 W | |
| | Recommended drive level | R _{DL} | 10 W ~ 100 W | |
| Series resistance | | R ₁ | As per table | 25°C |
| Shunt capacitance | | C ₀ | 7pF | Max |
| Insulation resistance | | I _R | 500M Ohm | |
| Aging | | f _A | ±1ppm ~ ±5ppm/Year | Please specify |

| Resistance of series resonance (ESR) | | | | | | |
|--------------------------------------|-------------|---------|--|------------------|-------------|---------|
| Frequency (MHz) | Mode | Ohm max | | Frequency (MHz) | Mode | Ohm max |
| 3.579 <= f < 6.0 | Fundamental | 150 | | 15.0 <= f < 35.0 | Fundamental | 40 |
| 6.0 <= f < 10.0 | Fundamental | 100 | | 30.0 <= f < 90.0 | 3rd OT | 70 |
| 10.0 <= f < 15.0 | Fundamental | 60 | | | | |
| | | | | | | |



| Order key | | | | | | | | |
|-----------|--------------|----------|---------------------|---------------------|-------------------------|--|------------------|--|
| Q | - 10.000000M | - HC49US | - F | - 30 | - 50 | - D | - 30 | - I |
| Part | Frequency | Package | Mode of oscillation | Frequency tolerance | Temperature tolerance | Temperature range | Load capacitance | Option |
| Q=Quartz | M=MHz | HC49US | F=fund. 3=3.OT | +/-ppm (25°C) | +/-ppm (Temp. range) | A= 0°C ~ 70°C B=-10°C ~ 60°C C=-10°C ~ 70°C D=-20°C ~ 70°C E=-40°C ~ 85°C F=-40°C ~ 105°C H=-20°C ~ +80°C I=-10°C ~ +50°C | pF SR=series | 3P=3Pin version L=Low hight TA=Taped ammpack I=Isolation washers X=Special options |

Remarks: All specifications subject to change without notice!