



CONNOR-WINFIELD CORPORATION

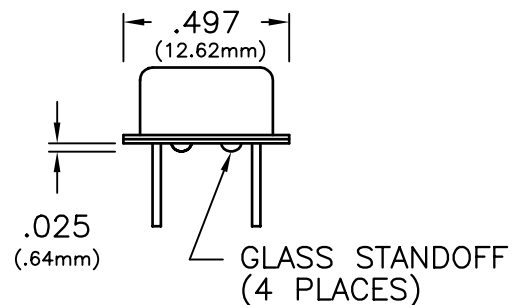
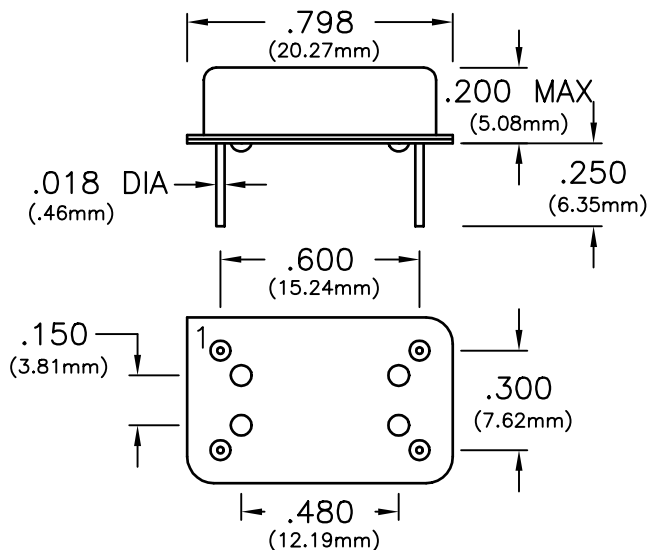
AURORA, IL. 60505

PHONE (630) 851-4722

FAX (630) 851-5040

HCMOS/TTL COMPATIBLE TRI-STATE OUTPUT

SPECIFICATIONS		HC524R	
Frequency Range		1.8432MHz to 70MHz	
Frequency Stability		±15ppm (Inclusive of calibration tolerance at 25°C, operating temperature range, input voltage change, load change, aging, shock and vibration)	
Temperature Range		0°C to +70°C	
Output	Waveform	HCMOS Squarewave , TTL Compatible	
	Load	HCMOS - 50pF , TTL - 10 TTL	
	Voltage	Voh	4.5V Minimum
		Vol	0.5V Maximum
	Current	Ioh	-16mA
		Iol	16mA
	Duty Cycle	45/55 Maximum Measured @2.5Vdc	
Rise/Fall Time		7nS Maximum	
Input	Output E/D Time	100nS Maximum	
	Enable (Vih)	2.2V Minimum	
	Disable (Vil)	0.8V Maximum	
Oscillator output is enabled with no connection on pin 2			
Start Up Time		10mS Maximum	
Supply Voltage		+5Vdc ±10%	
Supply Current		70mA Maximum	
Package		All metal, hermetically sealed, welded package	
Optional Suffix		T Duty Cycle 45/55 Maximum Measured @1.4Vdc	



PIN	CONNECTION
1	ENABLE/DISABLE
7	GROUND (CASE)
8	OUTPUT
14	Vcc

Dimensional Tolerance ±.005

Specifications subject to change without notice

BULLETIN #: HC148
PAGE 1 OF 1

REV: 00
DATE: 3/7/97

ISSUED BY: _____