

# HCD-HDX265/HDX266/HDX267W/ HDX465/HDX466/HDX665

## PARTS AND EXPLODED VIEWS



Ver. 1.1 2007.03



Photo: HCD-HDX265

**US Model**  
HCD-HDX265/HDX266/HDX267W/HDX465

**Canadian Model**  
HCD-HDX466/HDX665

**E Model**  
**Australian Model**  
HCD-HDX265

- HCD-HDX265 is the amplifier, DVD system, tuner and video section in DAV-HDX265.
- HCD-HDX266 is the amplifier, DVD system, tuner and video section in DAV-HDX266.
- HCD-HDX267W is the amplifier, DVD system, tuner and video section in DAV-HDX267W.
- HCD-HDX465 is the amplifier, DVD system, tuner and video section in DAV-HDX465.
- HCD-HDX466 is the amplifier, DVD system, tuner and video section in DAV-HDX466.
- HCD-HDX665 is the amplifier, DVD system, tuner and video section in DAV-HDX665.

This product incorporates copyright protection technology that is protected by U.S. patents and other intellectual property rights. Use of this copyright protection technology must be authorized by Macrovision, and is intended for home and other limited viewing uses only unless otherwise authorized by Macrovision. Reverse engineering or disassembly is prohibited.

This system incorporates with Dolby\* Digital and Dolby Pro Logic (II) adaptive matrix surround decoder and the DTS\*\* Digital Surround System.

\* Manufactured under license from Dolby Laboratories.  
"Dolby", "Pro Logic", and the double-D symbol are trademarks of Dolby Laboratories.

\*\* Manufactured under license from DTS, Inc.  
"DTS" and "DTS Digital Surround" are registered trademarks of DTS, Inc.

Model Name Using Similar Mechanism	HCD-DX155
DVD Mechanism Type	CDM81C-DVBU101
Optical Pick-up Block Name	KHM-310CAB or KHM-313CAB

### SPECIFICATIONS

#### AUDIO POWER SPECIFICATIONS

##### for the US model

POWER OUTPUT AND TOTAL HARMONIC DISTORTION:

With 3 ohms loads, both channels driven, from 120 - 20,000 Hz; rated 84 watts per channel minimum  
RMS power, with no more than 0.7 % total harmonic distortion from 250 milli watts to rated output.

#### Amplifier section EXCEPT HCD-HDX266

US models:

Surround mode (reference) RMS output power  
FL/FR/C/SL/SR\*: 143 watts  
(per channel at 3 ohms, 1 kHz, 10 % THD)  
Subwoofer\*: 285 watts (at 1.5 ohms, 80 Hz, 10 % THD)

Other models:

Stereo mode (rated) 108 W + 108 W (at 3 ohms, 1 kHz, 1 % THD)

Surround mode (reference) RMS output power  
FL/FR/C/SL/SR\*: 143 watts  
(per channel at 3 ohms, 1 kHz, 10 % THD)  
Subwoofer\*: 285 watts (at 1.5 ohms, 80 Hz, 10 % THD)

#### HCD-HDX266

Surround mode (reference) RMS output power  
FL/FR/C/SL/SR\*: 142 watts  
(per channel at 3 ohms, 1 kHz, 10 % THD)  
Subwoofer\*: 140 watts (at 3 ohms, 80 Hz, 10 % THD)

\* Depending on the sound field settings and the source, there may be no sound output.

Inputs (Analog)  
TV/VIDEO (AUDIO IN) Sensitivity: 450/250 mV  
AUDIO IN Sensitivity: 250/125 mV  
Outputs (Analog)  
Phones Accepts low-and high-impedance headphones.

– Continued on next page –

9-887-551-02  
2007C05-1  
© 2007.03

**Sony Corporation**  
Home Audio Division  
Published by Sony Techno Create Corporation

# SONY®

## DVD RECEIVER

SECTION 7  
EXPLODED VIEWS

NOTE:

- XX and -X mean standardized parts, so they may have some difference from the original one.
- Color Indication of Appearance Parts  
Example:  
KNOB, BALANCE (WHITE) . . . (RED)  
↑↑  
Parts Color Cabinet's Color

- Items marked "\*" are not stocked since they are seldom required for routine service. Some delay should be anticipated when ordering these items.
- The mechanical parts with no reference number in the exploded views are not supplied
- Abbreviation  
AUS : Australian model

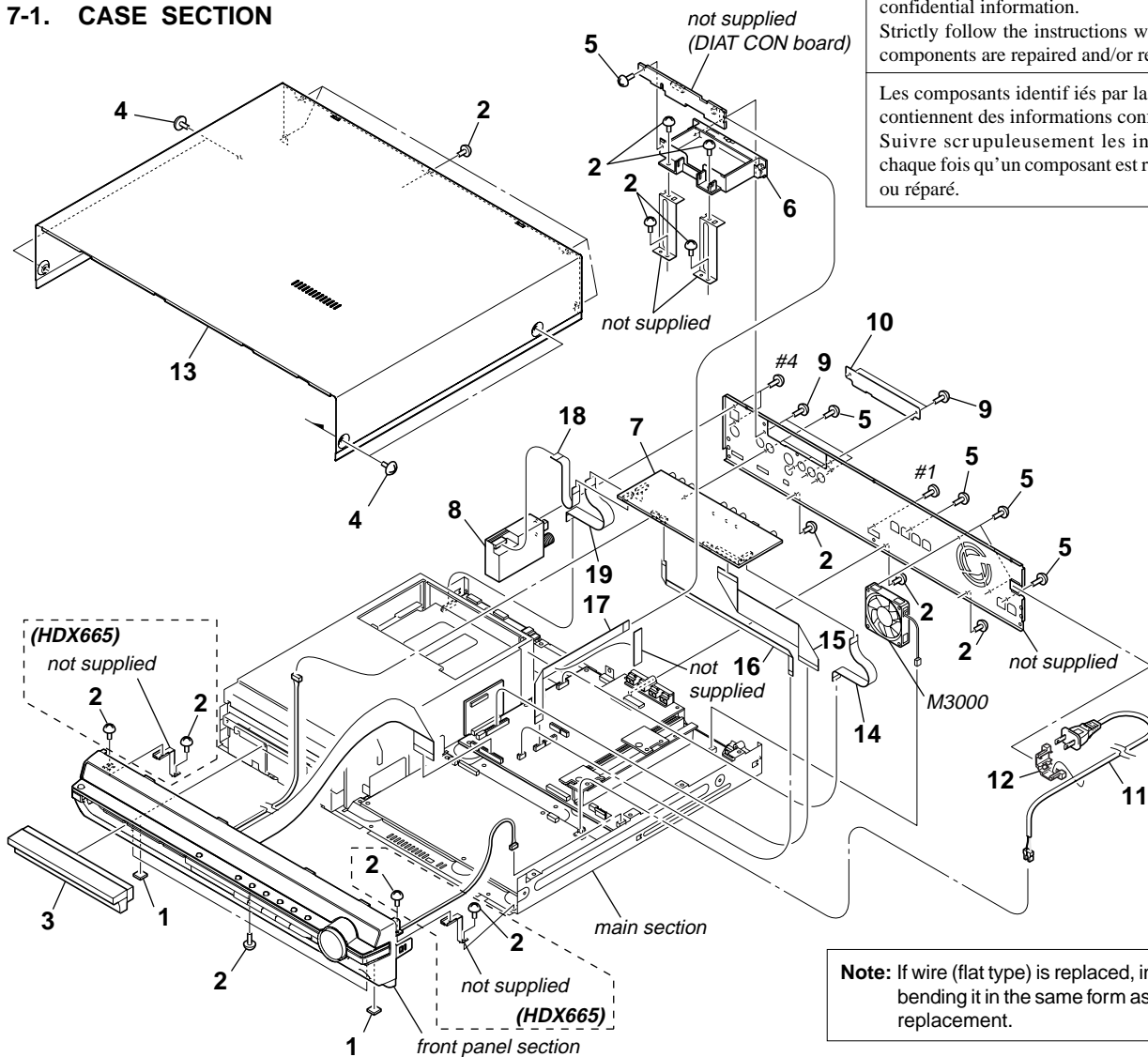
The components identified by mark  $\triangle$  or dotted line with mark  $\triangle$  are critical for safety. Replace only with part number specified.

Les composants identifiés par une marque  $\triangle$  sont critiques pour la sécurité. Ne les remplacer que par une pièce portant le numéro spécifié.

The components identified by mark  $\square$  contain confidential information. Strictly follow the instructions whenever the components are repaired and/or replaced.

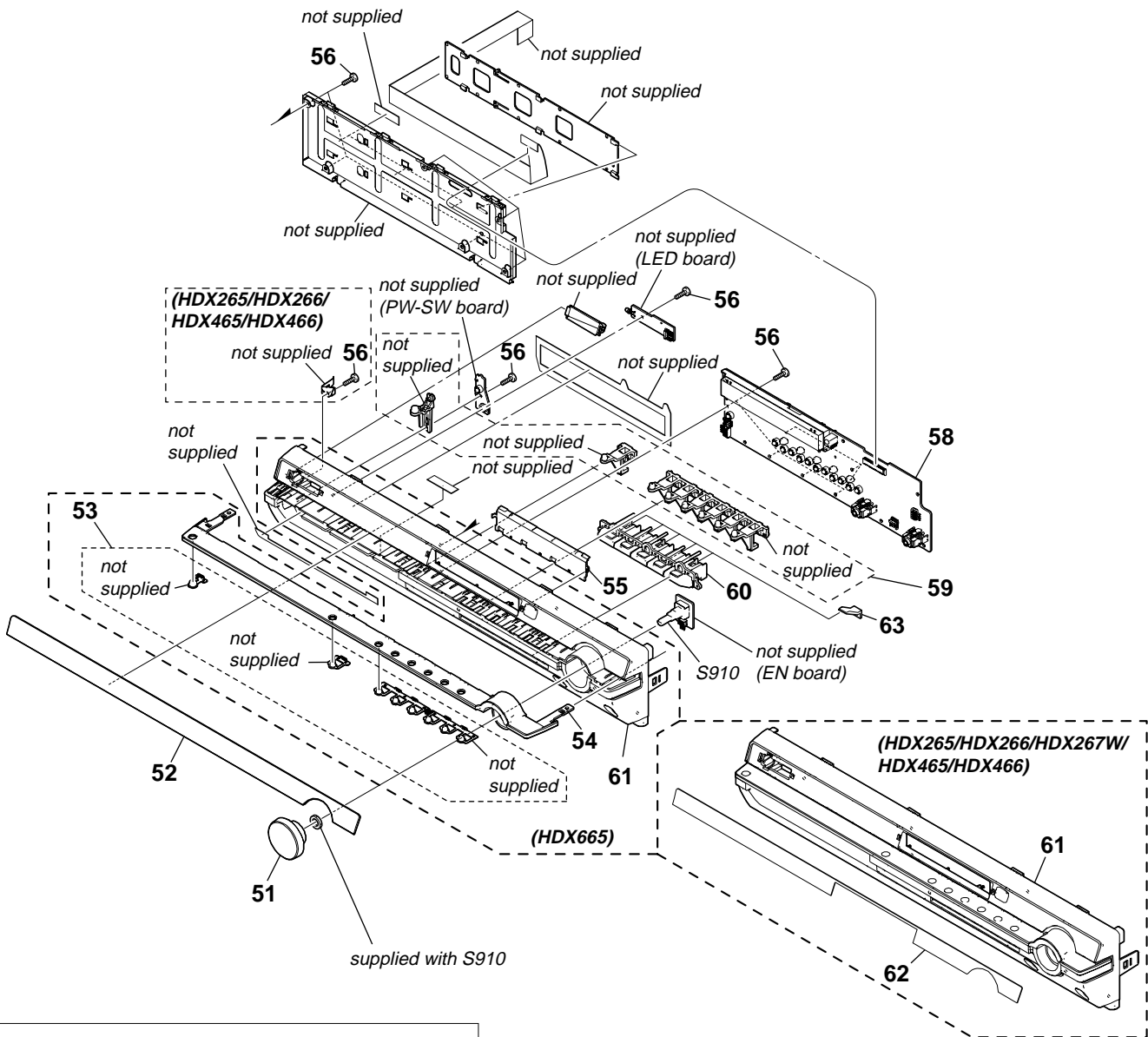
Les composants identifiés par la marque  $\square$  contiennent des informations confidentielles. Suivre scrupuleusement les instructions chaque fois qu'un composant est remplacé et/ou réparé.

7-1. CASE SECTION



Ref. No.	Part No.	Description	Remark	Ref. No.	Part No.	Description	Remark
1	4-232-478-31	FOOT		$\triangle$ 11	1-696-848-81	CORD, POWER (HDX265: AUS)	
2	3-077-331-21	+BV3 (3-CR)		$\triangle$ 11	1-777-071-23	CORD, POWER (HDX265: E)	
3	2-892-552-01	PANEL, LOADING (HDX466/HDX665)		$\triangle$ 11	1-830-190-11	CORD, POWER (HDX265: US/HDX266/ HDX267W/HDX465/HDX466/HDX665)	
3	2-892-552-11	PANEL, LOADING (HDX265/HDX266/HDX267W/HDX465)		12	3-703-244-00	BUSHING (2104), CORD	
4	3-363-099-22	SCREW (CASE 3 TP2) (HDX466/HDX665)		13	2-893-808-01	CASE (HDX466/HDX665)	
4	3-363-099-51	SCREW (CASE 3 TP2) (HDX265/HDX266/HDX267W/HDX465)		13	2-893-808-21	CASE (HDX265/HDX266/HDX267W/HDX465)	
5	3-077-331-01	+BV3 (3-CR)		14	1-828-317-11	WIRE (FLAT TYPE) (11 CORE)	
6	2-892-554-01	CASE (DIAT) (HDX265: US/HDX266/HDX267W/ HDX465/HDX466/HDX665)		15	1-828-361-11	WIRE (FLAT TYPE) (19 CORE)	
6	2-892-554-11	CASE (DIAT) (HDX265: E, AUS)		16	1-828-293-11	WIRE (FLAT TYPE) (5 CORE)	
7	A-1221-023-A	IO BOARD, COMPLETE		17	1-828-009-11	WIRE (FLAT TYPE) (11 CORE)	
8	1-693-727-11	TUNER (FM/AM) (HDX265: E, AUS)		18	1-828-953-11	WIRE (FLAT TYPE) (9 CORE)	
8	1-693-728-11	TUNER (FM/AM) (HDX265: US/HDX266/ HDX267W/HDX465/HDX466/HDX665)		19	1-828-308-11	WIRE (FLAT TYPE) (9 CORE)	
9	3-077-331-11	+BV3 (3-CR)		M3000	1-787-396-11	D.C. FAN (50 SQUARE)	
10	2-892-739-01	LID (DIAT-P)		#1	7-682-547-04	SCREW +B 3X6	
				#4	7-685-862-09	SCREW +BVTT 2.6X6 (S)	

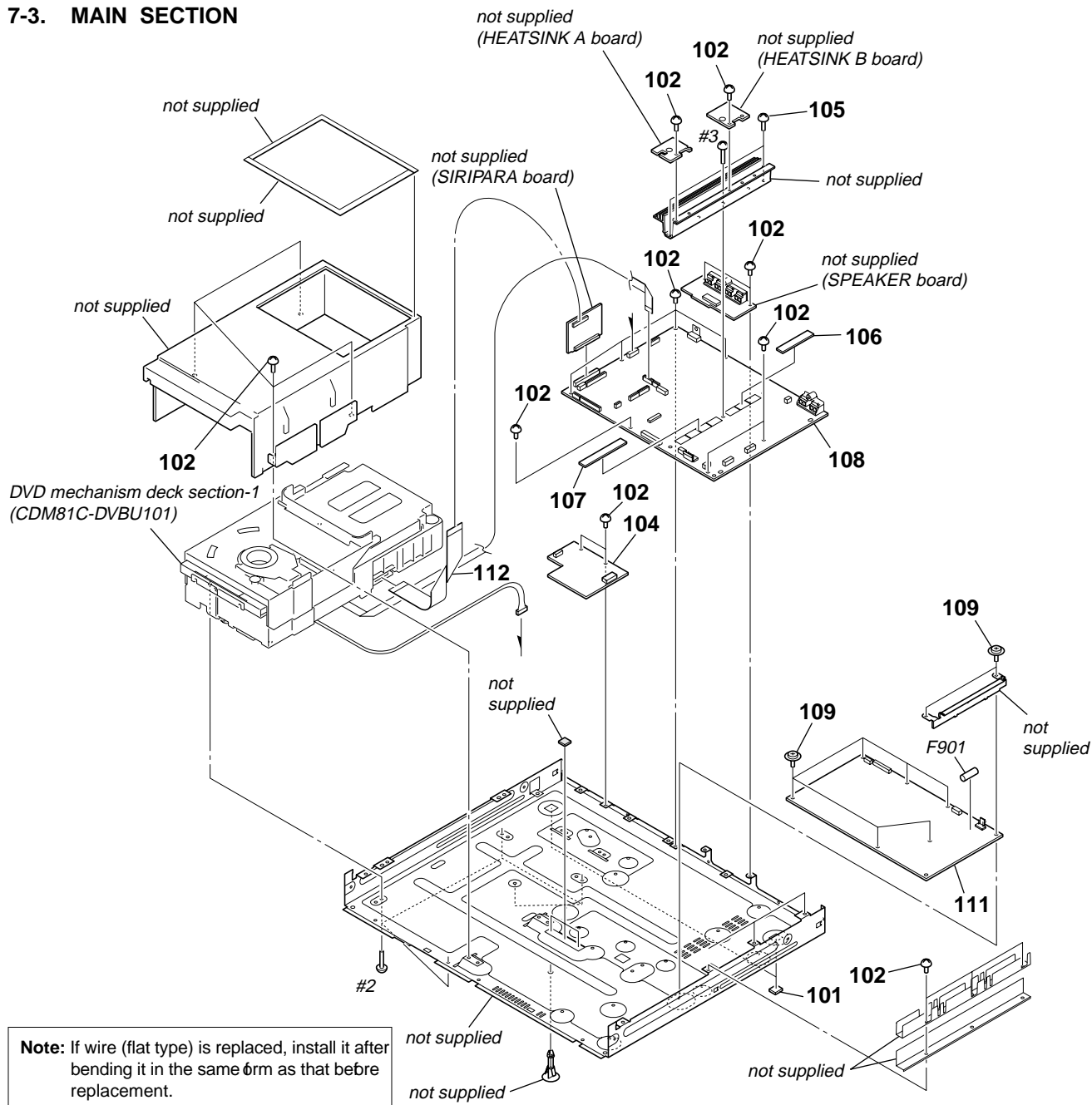
7-2. FRONT PANEL SECTION



**Note:** Ref. No. 60 and Ref. No. 63 are parts glued together. When you exchange Ref. No. 60 or Ref. No. 63, exchange simultaneously.

Ref. No.	Part No.	Description	Remark	Ref. No.	Part No.	Description	Remark
51	2-892-548-01	KNOB (VOL)		59	2-892-546-01	BASE (PLAY), BUTTON (HDX665)	
52	2-892-542-11	WINDOW (H) (HDX665)		60	2-892-551-01	BUTTON (DISC)	
52	2-892-543-01	WINDOW (L) (HDX266)		61	2-892-540-11	PANEL (H), FRONT (HDX665)	
52	2-892-543-11	WINDOW (L) (HDX265)		61	2-892-541-01	PANEL (L), FRONT (HDX466)	
52	2-892-543-21	WINDOW (L) (HDX465)		61	2-892-541-11	PANEL (L), FRONT (HDX265: US/HDX266/HDX267W/HDX465)	
52	2-892-543-31	WINDOW (L) (HDX267W)		61	2-892-541-21	PANEL (L), FRONT (HDX265: E, AUS)	
52	2-892-543-41	WINDOW (L) (HDX466)		62	2-898-989-01	SHEET (DC WINDOW), ADHESIVE (HDX265/HDX266/HDX267W/HDX465/HDX466)	
53	2-892-547-01	BUTTON (PLAY-H) (HDX665)		63	2-892-550-01	INDICATOR (DISC)	
54	2-892-544-01	ORNAMENT (BUTTON) (HDX665)		S910	1-418-725-51	ENCODER, ROTARY (12 TYPE) (VOLUME)	
55	2-889-992-01	FILTER, COLOR					
56	3-087-053-11	+BVTP2.6 (3CR)					
58	A-1221-014-A	FL BOARD, COMPLETE					
59	2-892-545-01	BUTTON (PLAY-L) (HDX265/HDX266/HDX267W/HDX465/HDX466)					

7-3. MAIN SECTION

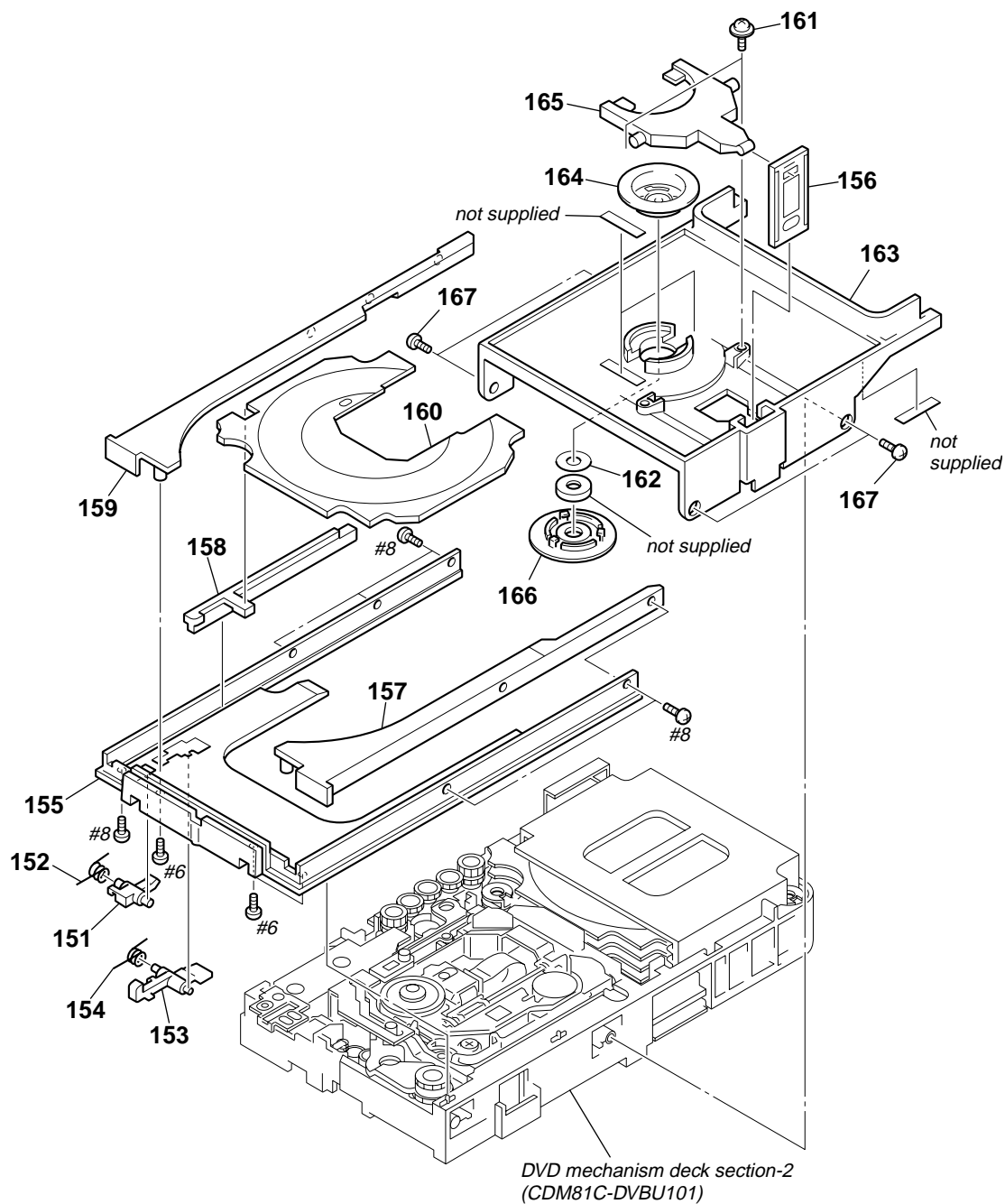


**Note:** If wire (flat type) is replaced, install it after bending it in the same form as that before replacement.

Ref. No.	Part No.	Description	Remark	Ref. No.	Part No.	Description	Remark
101	4-232-478-31	FOOT		108	A-1244-175-A	MAIN BOARD, COMPLETE (for SERVICE) (HDX465/HDX466)	
102	3-077-331-21	+BV3 (3-CR)		108	A-1244-177-A	MAIN BOARD, COMPLETE (for SERVICE) (HDX665)	
104	A-1221-025-A	DMPORT BOARD, COMPLETE		108	A-1256-691-A	MAIN BOARD, COMPLETE (for SERVICE) (HDX265: E)	
105	3-077-331-11	+BV3 (3-CR)		109	2-677-839-01	+PWH 3X8 (SUMITITE)	
106	2-597-972-51	SHEET, RADIATION (HDX265: US/HDX267W/ HDX465/HDX466/HDX665)		111	A-1221-008-A	POWER BOARD, COMPLETE (HDX265: US/ HDX266/HDX267W/HDX465/HDX466/HDX665)	
106	2-597-972-61	SHEET, RADIATION (HDX266)		111	A-1221-034-A	POWER BOARD, COMPLETE (HDX265: E, AUS)	
106	3-100-158-01	SHEET, RADIATION (HDX265: E, AUS)		112	1-828-369-11	WIRE (FLAT TYPE) (21 CORE)	
107	2-597-972-41	SHEET, RADIATION (HDX265: US/HDX266/ HDX267W/HDX465/HDX466/HDX665)		△ F901	1-533-311-12	FUSE, GLASS CYLINDRICAL (DIA.5) (8A/125V) (HDX265: US/HDX266/HDX267W/HDX465/ HDX466/HDX665)	
107	3-100-158-11	SHEET, RADIATION (HDX265: E, AUS)		△ F901	1-576-233-51	FUSE (H.B.C.) (T6.3AL/250V) (HDX265: E, AUS)	
108	A-1244-171-A	MAIN BOARD, COMPLETE (for SERVICE) (HDX265: US/HDX267W)		#2	7-685-647-79	SCREW +BVTP 3X10 TYPE2 IT-3	
108	A-1244-172-A	MAIN BOARD, COMPLETE (for SERVICE) (HDX265: AUS)		#3	7-685-648-79	SCREW +BVTP 3X12 TYPE2 IT-3	
108	A-1244-173-A	MAIN BOARD, COMPLETE (for SERVICE) (HDX266)					

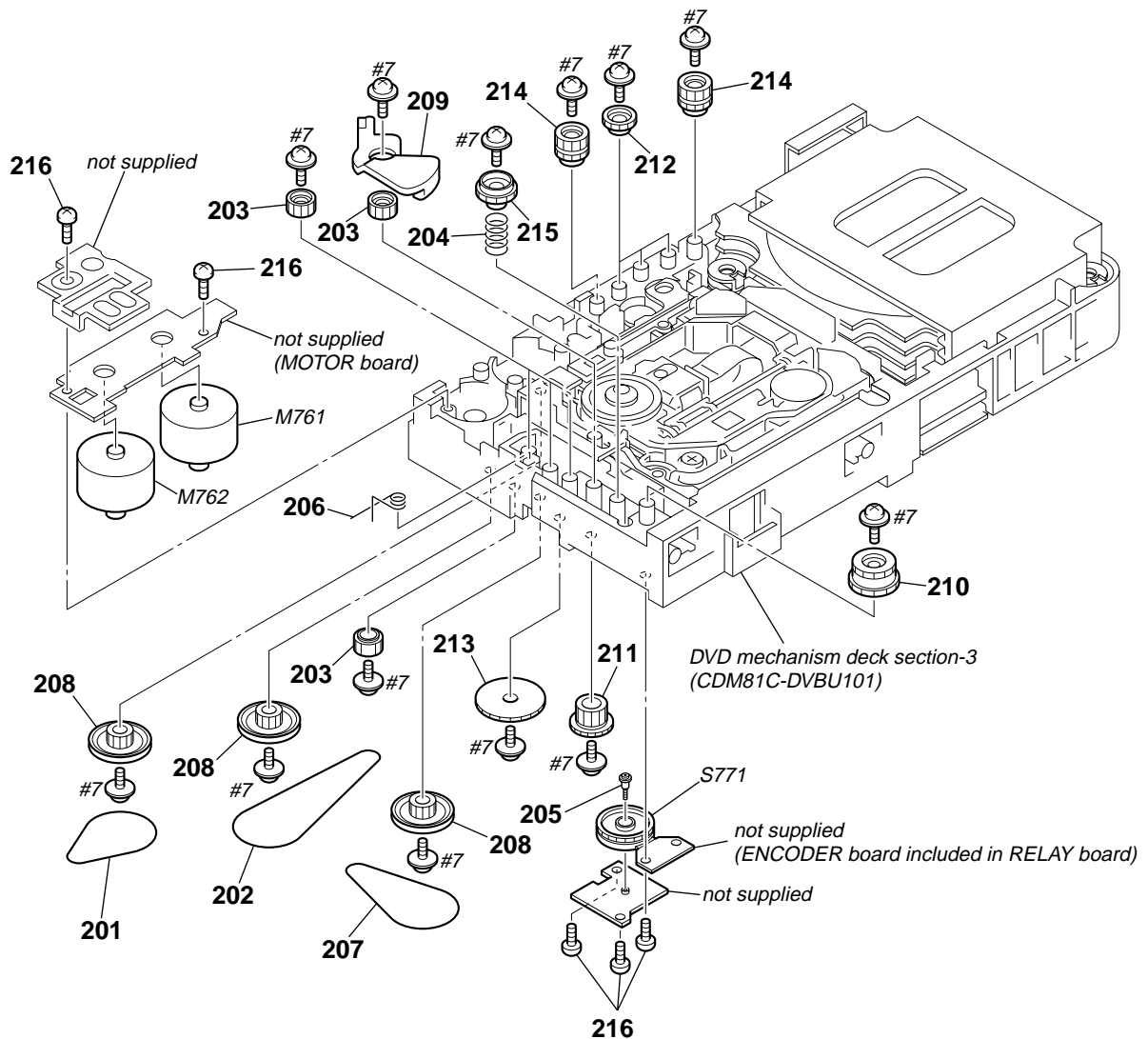
# HCD-HDX265/HDX266/HDX267W/HDX465/HDX466/HDX665

## 7-4. DVD MECHANISM DECK SECTION-1 (CDM81C-DVBU101)



Ref. No.	Part No.	Description	Remark	Ref. No.	Part No.	Description	Remark
151	4-251-849-01	LEVER (SW2)		161	4-985-672-01	SCREW (+PTPWH M2.6), FLOATING	
152	4-251-991-01	SPRING (SW2), TORSION		162	4-251-923-01	YOKE (310)	
153	4-251-860-01	LEVER (LOCK)		163	4-251-821-03	BRACKET (TOP)	
154	4-251-867-01	SPRING (LOCK), TORSION		164	4-251-922-01	PULLEY B (310), CHUCKING	
155	4-251-828-01	TRAY (MAIN)		165	4-251-824-01	LIFTER	
156	4-251-822-01	JOINT (LIFTER)		166	4-251-837-01	PULLEY A (310), CHUCKING	
157	4-251-857-01	COVER (R)		167	4-218-253-52	SCREW (M2.6), +BTTP	
158	4-251-830-01	SLIDER (ST)		#6	7-685-534-19	SCREW +BTP 2.6X8 TYPE2 N-S	
159	4-251-858-01	COVER (L)		#8	7-685-102-19	SCREW +P 2X4 NON-SLIT TYPE 2	
160	4-251-829-02	TRAY (SUB)					

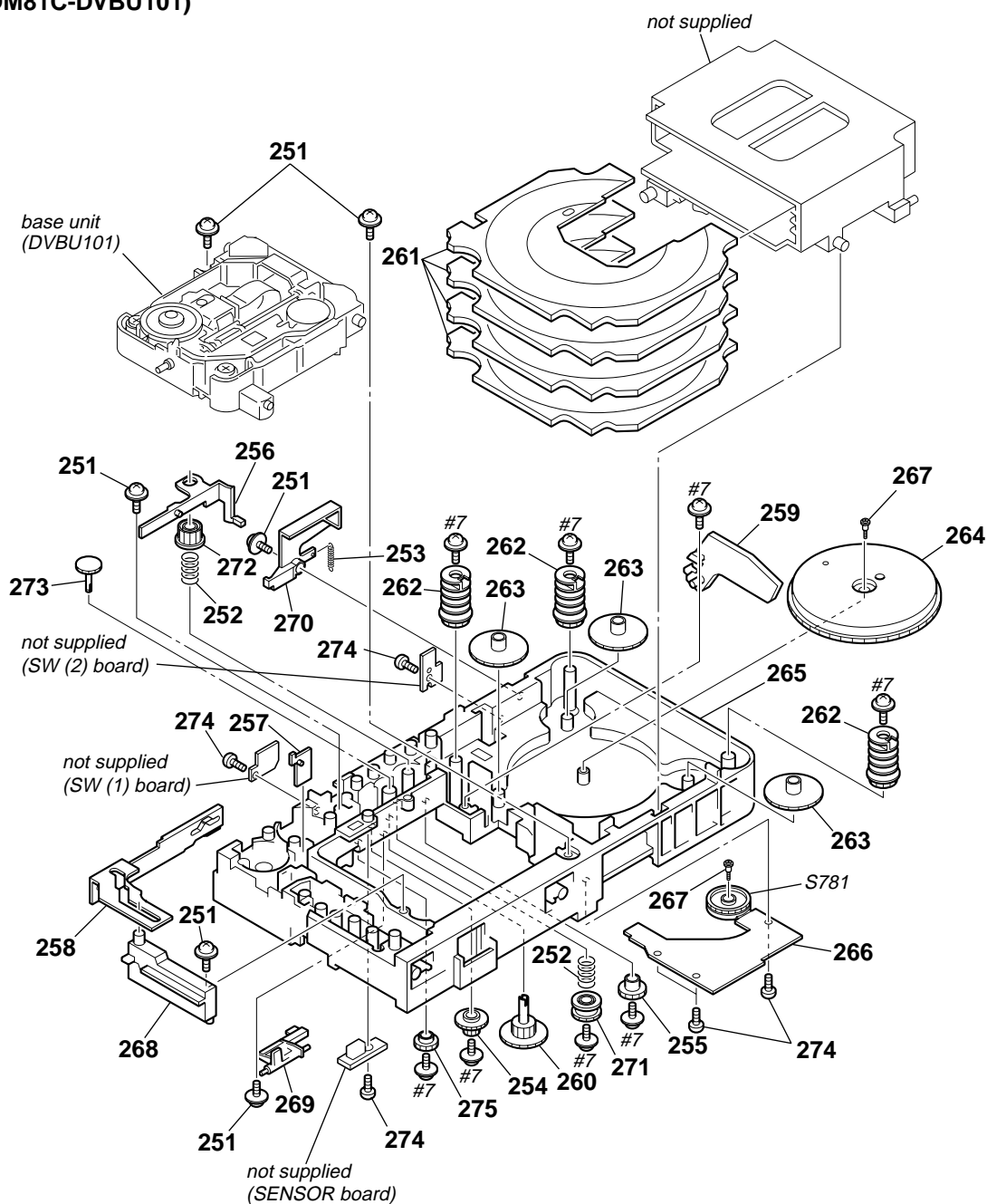
7-5. DVD MECHANISM DECK SECTION-2  
(CDM81C-DVBU101)



Ref. No.	Part No.	Description	Remark	Ref. No.	Part No.	Description	Remark
201	4-251-868-01	BELT (SUB TRAY)		211	4-251-856-01	GEAR (BU2)	
202	4-251-869-01	BELT (MAIN TRAY)		212	4-251-841-01	GEAR (SUB TRAY 1)	
203	4-251-850-01	GEAR (MAIN TRAY 1)		213	4-251-854-01	GEAR (BU1)	
204	4-251-873-01	SPRING (MODE), COMPRESSION		214	4-251-842-01	GEAR (SUB TRAY 2)	
205	4-239-618-01	SCREW (+PWH, 2X6), STEP TAPPING		215	4-251-851-01	GEAR (MAIN TRAY 2)	
206	4-251-872-01	SPRING (LEVER), TORSION		216	4-218-253-52	SCREW (M2.6), +BTTP	
207	4-251-870-01	BELT (BU)		M761	A-4713-174-A	MOTOR (81) ASSY (LD/ST MOTOR)	
208	4-251-853-01	PULLEY (BU)		M762	A-4713-174-A	MOTOR (81) ASSY (BU U/D MOTOR)	
209	4-251-834-01	LEVER (MAIN TRAY)		S771	1-478-552-11	ENCODER, ROTARY (MD)	
210	4-251-852-01	GEAR (MAIN TRAY 3)		#7	7-685-902-21	SCREW +PTPWH 2.6X8 (TYPE2)	

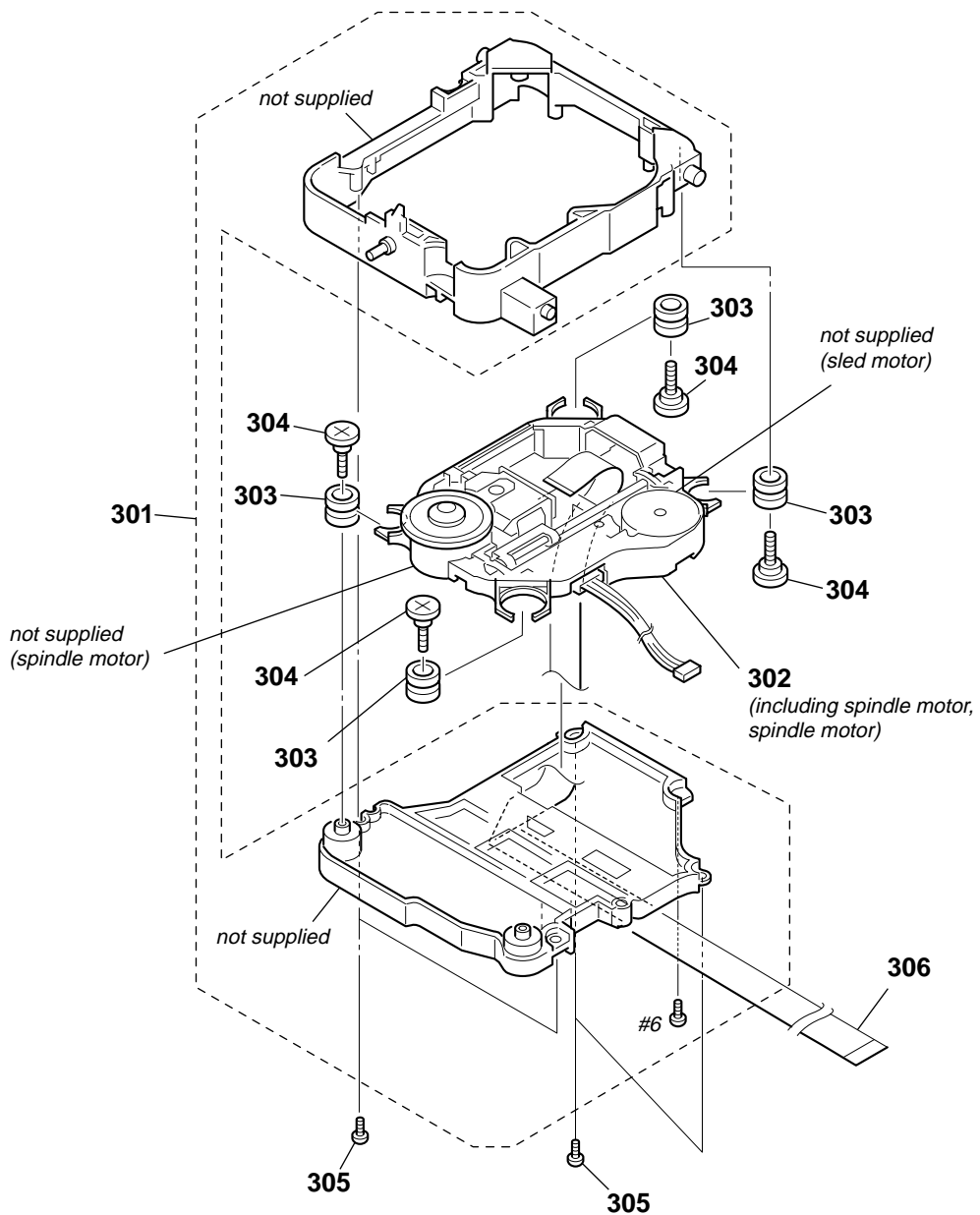
# HCD-HDX265/HDX266/HDX267W/HDX465/HDX466/HDX665

## 7-6. DVD MECHANISM DECK SECTION-3 (CDM81C-DVBU101)



Ref. No.	Part No.	Description	Remark	Ref. No.	Part No.	Description	Remark
251	4-985-672-01	SCREW (+PTPWH M2.6), FLOATING		266	A-4750-232-A	RELAY BOARD, COMPLETE (including ENCODER board)	
252	4-251-873-01	SPRING (MODE), COMPRESSION		267	4-239-618-01	SCREW (+PWH, 2X6), STEP TAPPING	
253	4-251-874-02	SPRING (SW), TENSION		268	4-251-825-01	CAM (BU)	
254	4-251-844-01	GEAR (SS2)		269	4-251-832-01	LEVER (STOCKER)	
255	4-251-835-01	GEAR (STOCKER 1)		270	4-251-861-01	LEVER (SW)	
256	4-251-833-01	LEVER (SUB TRAY)		271	4-251-839-01	GEAR (STOCKER 4)	
257	4-251-843-01	LEVER (RELEASE)		272	4-251-840-01	GEAR (SUB TRAY)	
258	4-251-831-02	LEVER (MODE)		273	4-251-847-01	GEAR (SS4)	
259	4-251-862-01	SHUTTER (TRAY)		274	4-218-253-52	SCREW (M2.6), +BTTP	
260	4-251-845-01	GEAR (SS3)		275	4-251-841-01	GEAR (SUB TRAY 1)	
261	4-251-829-02	TRAY (SUB)		S781	1-478-551-11	ENCODER, ROTARY (ST U/D ENCODER)	
262	4-251-827-01	CAM (STOCKER)		#7	7-685-902-21	SCREW +PTPWH 2.6X8 (TYPE2)	
263	4-251-836-01	GEAR (STOCKER 2)					
264	4-251-838-01	GEAR (STOCKER 3)					
265	4-251-823-01	CHASSIS (CDM81)					

7-7. BASE UNIT



**Note:** If wire (flat type) is replaced, install it after bending it in the same form as that before replacement.

**Note:** Refer to the Servicing Notes "HOW TO IDENTIFY OPTICAL PICK-UP BLOCK" (page 7), if replacing the Ref. No. 302.

Ref. No.	Part No.	Description	Remark	Ref. No.	Part No.	Description	Remark
301	X-4956-097-1	HOLDER (310) ASSY		304	3-087-599-01	INSULATOR SCREW	
△302	8-820-291-02	OPTICAL PICK-UP BLOCK (KHM-310CAB/ C2RP) (Including sled motor, spindle motor)		305	4-218-253-52	SCREW (M2.6), +BTP	
△302	8-820-322-04	OPTICAL PICK-UP BLOCK (KHM-313CAB/ C2RP) (Including sled motor, spindle motor)		306	1-828-774-51	WIRE (FLAT TYPE) (24 CORE)	
303	2-634-618-01	INSULATOR		#6	7-685-534-19	+BTP 2.6X8 TYPE2 N-S	



SECTION 8

ELECTRICAL PARTS LIST

DIAT CON DMPORT

NOTE:

- Due to standardization, replacements in the parts list may be different from the parts specified in the diagrams or the components used on the set.
- -XX and -X mean standardized parts, so they may have some difference from the original one.
- Items marked “\*\*” are not stocked since they are seldom required for routine service. Some delay should be anticipated when ordering these items.
- CAPACITORS  
uF: μF
- COILS  
uH: μH

- RESISTORS  
All resistors are in ohms.  
METAL: Metal-film resistor.  
METAL OXIDE: Metal oxide-film resistor.  
F: nonflammable
- SEMICONDUCTORS  
In each case, u: μ, for example:  
uA... : μA...      uPA... : μPA...  
uPB... : μPB...    uPC... : μPC...  
uPD... : μPD...
- Abbreviation  
AUS: Australian model

The components identified by mark  $\Delta$  or dotted line with mark  $\Delta$  are critical for safety. Replace only with part number specified.

Les composants identifiés par une marque  $\Delta$  sont critiques pour la sécurité. Ne les remplacer que par une pièce portant le numéro spécifié.

The components identified by mark  $\square$  contain confidential information. Strictly follow the instructions whenever the components are repaired and/or replaced.

Les composants identifiés par la marque  $\square$  contiennent des informations confidentielles. Suivre scrupuleusement les instructions chaque fois qu'un composant est remplacé et/ou réparé.

When indicating parts by reference number, please include the board.

Ref. No.	Part No.	Description	Remark	Ref. No.	Part No.	Description	Remark
		DIAT CON BOARD *****		C239	1-126-205-11	ELECT CHIP 47uF 20%	6.3V
		< CONNECTOR >		C240	1-107-826-11	CERAMIC CHIP 0.1uF 10%	16V
				C241	1-107-826-11	CERAMIC CHIP 0.1uF 10%	16V
						< CONNECTOR >	
CN1806	1-770-382-11	CONNECTOR, BOARD TO BOARD 12P		CN201	1-784-861-51	CONNECTOR, FFC (LIF (NON-ZIF)) 9P	
CN1809	1-779-548-21	CONNECTOR, FFC (LIF (NON-ZIF)) 11P		CN203	1-774-730-21	PIN, CONNECTOR (PC BOARD) 3P	
				CN204	1-817-615-21	CONNECTOR BOARD TO BOARD 18P	(DMPORT)
		< JUMPER RESISTOR >				< IC >	
JR001	1-216-296-11	SHORT CHIP 0		IC201	6-705-308-01	IC SI-3010KM-TL	
JR002	1-216-296-11	SHORT CHIP 0		IC202	8-759-710-97	IC NJM4565M-D	
JR003	1-216-864-11	SHORT CHIP 0				< COIL >	
JR004	1-216-296-11	SHORT CHIP 0					
JR005	1-216-296-11	SHORT CHIP 0		L200	1-469-525-11	INDUCTOR 10uH	
JR006	1-216-296-11	SHORT CHIP 0				< RESISTOR >	
JR007	1-216-864-11	SHORT CHIP 0		R203	1-218-879-11	METAL CHIP 22K 0.5%	1/10W
JR008	1-216-296-11	SHORT CHIP 0		R208	1-218-879-11	METAL CHIP 22K 0.5%	1/10W
JR009	1-216-864-11	SHORT CHIP 0		R214	1-218-879-11	METAL CHIP 22K 0.5%	1/10W
JR010	1-216-864-11	SHORT CHIP 0		R215	1-218-879-11	METAL CHIP 22K 0.5%	1/10W
		*****		R220	1-216-821-11	METAL CHIP 1K 5%	1/10W
				R221	1-216-821-11	METAL CHIP 1K 5%	1/10W
A-1221-025-A		DMPORT BOARD, COMPLETE *****		R222	1-216-840-11	METAL CHIP 39K 5%	1/10W
				R223	1-216-833-11	METAL CHIP 10K 5%	1/10W
		< CAPACITOR >		R224	1-216-864-11	SHORT CHIP 0	
C210	1-107-826-11	CERAMIC CHIP 0.1uF 10%	16V	R225	1-218-887-11	METAL CHIP 47K 0.5%	1/10W
C211	1-126-206-11	ELECT CHIP 100uF 20%	6.3V	R227	1-218-879-11	METAL CHIP 22K 0.5%	1/10W
C212	1-107-826-11	CERAMIC CHIP 0.1uF 10%	16V	R228	1-218-879-11	METAL CHIP 22K 0.5%	1/10W
C213	1-107-826-11	CERAMIC CHIP 0.1uF 10%	16V	R229	1-218-879-11	METAL CHIP 22K 0.5%	1/10W
C214	1-162-964-11	CERAMIC CHIP 0.001uF 10%	50V	R230	1-218-879-11	METAL CHIP 22K 0.5%	1/10W
C220	1-128-995-21	ELECT CHIP 100uF 20%	10V	R231	1-216-829-11	METAL CHIP 4.7K 5%	1/10W
C221	1-107-826-11	CERAMIC CHIP 0.1uF 10%	16V	R232	1-216-829-11	METAL CHIP 4.7K 5%	1/10W
C222	1-107-826-11	CERAMIC CHIP 0.1uF 10%	16V	R237	1-216-864-11	SHORT CHIP 0	
C223	1-126-206-11	ELECT CHIP 100uF 20%	6.3V	R238	1-216-864-11	SHORT CHIP 0	
C229	1-165-908-11	CERAMIC CHIP 1uF 10%	10V	R239	1-216-864-11	SHORT CHIP 0	
C230	1-165-908-11	CERAMIC CHIP 1uF 10%	10V	R240	1-216-809-11	METAL CHIP 100 5%	1/10W
C231	1-165-908-11	CERAMIC CHIP 1uF 10%	10V	R241	1-216-809-11	METAL CHIP 100 5%	1/10W
C232	1-165-908-11	CERAMIC CHIP 1uF 10%	10V			*****	
C233	1-162-927-11	CERAMIC CHIP 100PF 5%	50V				
C234	1-162-927-11	CERAMIC CHIP 100PF 5%	50V				
C235	1-162-927-11	CERAMIC CHIP 100PF 5%	50V				
C236	1-162-927-11	CERAMIC CHIP 100PF 5%	50V				
C237	1-107-826-11	CERAMIC CHIP 0.1uF 10%	16V				
C238	1-126-395-11	ELECT CHIP 22uF 20%	16V				

Ref. No.	Part No.	Description	Remark	Ref. No.	Part No.	Description	Remark
		EN BOARD *****				< CONNECTOR >	
		< CAPACITOR >		CN803	1-779-560-21	CONNECTOR, FFC (LIF (NON-ZIF)) 23P	
C910	1-162-970-11	CERAMIC CHIP	0.01uF 10% 25V	CN804	1-779-978-11	PIN, CONNECTOR 3P	
C911	1-162-970-11	CERAMIC CHIP	0.01uF 10% 25V	CN805	1-564-718-11	PIN, CONNECTOR (SMALL TYPE) 2P	
		< SWITCH >				< DIODE >	
S910	1-418-725-51	ENCODER, ROTARY (12 TYPE) (VOLUME)		D800	6-501-579-01	DIODE MC2837	
*****				D801	6-501-579-01	DIODE MC2837	
		ENCODER BOARD (Included in RELAY board)		D806	6-501-193-01	DIODE 1SS355WTE-17	
*****				D807	6-501-193-01	DIODE 1SS355WTE-17	
*****				D808	6-501-193-01	DIODE 1SS355WTE-17	
A-1221-014-A	FL BOARD, COMPLETE			D809	8-719-056-13	LED SML79423C-TP15 (DISC 1)	
*****				D810	6-501-193-01	DIODE 1SS355WTE-17	
	< CAPACITOR >			D811	6-501-193-01	DIODE 1SS355WTE-17	
C800	1-162-964-11	CERAMIC CHIP	0.001uF 10% 50V	D812	8-719-056-13	LED SML79423C-TP15 (DISC 2)	
C801	1-162-970-11	CERAMIC CHIP	0.01uF 10% 25V	D813	6-501-193-01	DIODE 1SS355WTE-17	
C803	1-162-995-11	CERAMIC CHIP	0.022uF 50V			< FERRITE BEAD >	
C804	1-162-970-11	CERAMIC CHIP	0.01uF 10% 25V	FB802	1-500-236-22	BEAD, FERRITE (CHIP) (1608)	
C810	1-107-826-11	CERAMIC CHIP	0.1uF 10% 16V	FB803	1-500-236-22	BEAD, FERRITE (CHIP) (1608)	
C811	1-126-786-11	ELECT	47uF 20% 16V	FB804	1-500-236-22	BEAD, FERRITE (CHIP) (1608)	
C813	1-117-863-11	CERAMIC CHIP	0.47uF 10% 6.3V	FB806	1-500-236-22	BEAD, FERRITE (CHIP) (1608)	
C814	1-162-923-11	CERAMIC CHIP	47PF 5% 50V	FB807	1-500-236-22	BEAD, FERRITE (CHIP) (1608)	
C815	1-110-563-11	CERAMIC CHIP	0.068uF 10% 16V			< IC >	
C816	1-162-925-11	CERAMIC CHIP	68PF 5% 50V	IC800	8-759-100-96	IC uPC4558G2	
C817	1-162-923-11	CERAMIC CHIP	47PF 5% 50V	IC801	8-759-100-96	IC uPC4558G2	
C818	1-162-960-11	CERAMIC CHIP	220PF 10% 50V	IC802	6-704-046-01	IC BU2099FV	
C820	1-126-791-11	ELECT	10uF 20% 35V	IC803	6-600-349-21	IC NJL23H400A	
C821	1-162-927-11	CERAMIC CHIP	100PF 5% 50V	IC804	8-759-643-83	IC uPD16315GB-3BS	
C822	1-162-964-11	CERAMIC CHIP	0.001uF 10% 50V			< JACK >	
C824	1-107-826-11	CERAMIC CHIP	0.1uF 10% 16V	J800	1-819-878-31	JACK (PHONES)	
C825	1-126-382-11	ELECT	100uF 20% 16V	J801	1-819-878-31	JACK (AUDIO IN/A.CAL MIC)	
C826	1-126-786-11	ELECT	47uF 20% 16V			< JUMPER RESISTOR >	
C827	1-162-964-11	CERAMIC CHIP	0.001uF 10% 50V	JR801	1-216-296-11	SHORT CHIP 0	
C828	1-126-791-11	ELECT	10uF 20% 35V	JR802	1-216-296-11	SHORT CHIP 0	
C829	1-162-923-11	CERAMIC CHIP	47PF 5% 50V	JR803	1-216-296-11	SHORT CHIP 0	
C830	1-162-960-11	CERAMIC CHIP	220PF 10% 50V	JR804	1-216-296-11	SHORT CHIP 0	
C831	1-124-222-91	ELECT	22uF 20% 6.3V	JR805	1-216-296-11	SHORT CHIP 0	
C832	1-107-823-11	CERAMIC CHIP	0.47uF 10% 16V	JR806	1-216-296-11	SHORT CHIP 0	
C833	1-125-837-11	CERAMIC CHIP	1uF 10% 6.3V	JR807	1-216-296-11	SHORT CHIP 0	
C836	1-126-382-11	ELECT	100uF 20% 16V	JR808	1-216-296-11	SHORT CHIP 0	
C838	1-162-968-11	CERAMIC CHIP	0.0047uF 10% 50V	JR809	1-216-296-11	SHORT CHIP 0	
C840	1-163-037-11	CERAMIC CHIP	0.022uF 10% 50V	JR810	1-216-296-11	SHORT CHIP 0	
C842	1-164-360-11	CERAMIC CHIP	0.1uF 16V	JR811	1-216-296-11	SHORT CHIP 0	
C843	1-162-974-11	CERAMIC CHIP	0.01uF 50V	JR812	1-216-296-11	SHORT CHIP 0	
C844	1-119-943-11	ELECT	47uF 20% 50V	JR813	1-216-296-11	SHORT CHIP 0	
C846	1-164-360-11	CERAMIC CHIP	0.1uF 16V	JR814	1-216-296-11	SHORT CHIP 0	
C850	1-126-791-11	ELECT	10uF 20% 35V	JR815	1-216-296-11	SHORT CHIP 0	
C851	1-162-970-11	CERAMIC CHIP	0.01uF 10% 25V	JR817	1-216-296-11	SHORT CHIP 0	
C866	1-115-866-11	ELECT	4.7uF 20% 35V	JR818	1-216-296-11	SHORT CHIP 0	
C868	1-126-791-11	ELECT	10uF 20% 35V				

# HCD-HDX265/HDX266/HDX267W/HDX465/HDX466/HDX665

FL

Ref. No.	Part No.	Description	Remark	Ref. No.	Part No.	Description	Remark
JW819	1-216-296-11	SHORT CHIP	0	R832	1-216-817-11	METAL CHIP	470 5% 1/10W
		< COIL >		R833	1-216-845-11	METAL CHIP	100K 5% 1/10W
L800	1-410-671-31	INDUCTOR	47uH	R834	1-216-864-11	SHORT CHIP	0
L801	1-410-671-31	INDUCTOR	47uH	R835	1-216-829-11	METAL CHIP	4.7K 5% 1/10W
		< FLUORESCENT INDICATOR TUBE >		R836	1-216-864-11	SHORT CHIP	0
ND800	1-451-590-21	VACUUM FLUORESCENT DISPLAYS		R837	1-216-845-11	METAL CHIP	100K 5% 1/10W
		< TRANSISTOR >		R838	1-216-821-11	METAL CHIP	1K 5% 1/10W
Q800	6-550-889-01	TRANSISTOR	2SC5938-T112-1B	R839	1-216-827-11	METAL CHIP	3.3K 5% 1/10W
Q801	6-550-889-01	TRANSISTOR	2SC5938-T112-1B	R840	1-216-817-11	METAL CHIP	470 5% 1/10W
Q802	6-550-889-01	TRANSISTOR	2SC5938-T112-1B	R841	1-216-805-11	METAL CHIP	47 5% 1/10W
Q803	6-550-889-01	TRANSISTOR	2SC5938-T112-1B	R842	1-216-837-11	METAL CHIP	22K 5% 1/10W
Q804	8-729-027-23	TRANSISTOR	DTA114EKA-T146	R843	1-216-825-11	METAL CHIP	2.2K 5% 1/10W
Q805	8-729-027-23	TRANSISTOR	DTA114EKA-T146	R844	1-216-845-11	METAL CHIP	100K 5% 1/10W
Q806	8-729-027-24	TRANSISTOR	DTA114TKA-T146	R845	1-216-825-11	METAL CHIP	2.2K 5% 1/10W
Q807	1-801-806-11	TRANSISTOR	RT1N441C-TP-1	R846	1-216-833-11	METAL CHIP	10K 5% 1/10W
Q808	1-801-806-11	TRANSISTOR	RT1N441C-TP-1	R847	1-216-835-11	METAL CHIP	15K 5% 1/10W
Q809	6-550-065-01	TRANSISTOR	CPH5504-TL-E	R848	1-216-834-11	METAL CHIP	12K 5% 1/10W
Q810	8-729-027-23	TRANSISTOR	DTA114EKA-T146	R849	1-216-809-11	METAL CHIP	100 5% 1/10W
Q811	8-729-027-23	TRANSISTOR	DTA114EKA-T146	R850	1-216-835-11	METAL CHIP	15K 5% 1/10W
Q812	8-729-027-23	TRANSISTOR	DTA114EKA-T146	R851	1-216-819-11	METAL CHIP	680 5% 1/10W
Q813	8-729-027-23	TRANSISTOR	DTA114EKA-T146	R852	1-216-809-11	METAL CHIP	100 5% 1/10W
Q814	8-729-027-23	TRANSISTOR	DTA114EKA-T146	R853	1-216-821-11	METAL CHIP	1K 5% 1/10W
Q815	8-729-027-23	TRANSISTOR	DTA114EKA-T146	R854	1-216-821-11	METAL CHIP	1K 5% 1/10W
Q816	8-729-027-23	TRANSISTOR	DTA114EKA-T146	R855	1-216-801-11	METAL CHIP	22 5% 1/10W
Q817	8-729-027-23	TRANSISTOR	DTA114EKA-T146	R856	1-216-809-11	METAL CHIP	100 5% 1/10W
Q818	8-729-027-23	TRANSISTOR	DTA114EKA-T146	R857	1-216-809-11	METAL CHIP	100 5% 1/10W
Q819	8-729-027-23	TRANSISTOR	DTA114EKA-T146	R858	1-216-809-11	METAL CHIP	100 5% 1/10W
Q820	8-729-120-28	TRANSISTOR	2SC1623-L5L6	R859	1-216-864-11	SHORT CHIP	0
		< RESISTOR >		R860	1-216-825-11	METAL CHIP	2.2K 5% 1/10W
R800	1-216-801-11	METAL CHIP	22 5% 1/10W	R861	1-216-825-11	METAL CHIP	2.2K 5% 1/10W
R801	1-216-805-11	METAL CHIP	47 5% 1/10W	R862	1-216-821-11	METAL CHIP	1K 5% 1/10W
R802	1-216-829-11	METAL CHIP	4.7K 5% 1/10W	R863	1-216-825-11	METAL CHIP	2.2K 5% 1/10W
R803	1-216-864-11	SHORT CHIP	0	R864	1-216-827-11	METAL CHIP	3.3K 5% 1/10W
R804	1-216-829-11	METAL CHIP	4.7K 5% 1/10W	R865	1-216-295-00	SHORT CHIP	0
R805	1-216-829-11	METAL CHIP	4.7K 5% 1/10W	R866	1-216-828-11	METAL CHIP	3.9K 5% 1/10W
R806	1-216-864-11	SHORT CHIP	0	R867	1-216-841-11	METAL CHIP	47K 5% 1/10W
R807	1-216-829-11	METAL CHIP	4.7K 5% 1/10W	R868	1-216-837-11	METAL CHIP	22K 5% 1/10W
R808	1-216-864-11	SHORT CHIP	0	R869	1-216-833-11	METAL CHIP	10K 5% 1/10W
R809	1-216-864-11	SHORT CHIP	0	R870	1-216-829-11	METAL CHIP	4.7K 5% 1/10W
R810	1-216-829-11	METAL CHIP	4.7K 5% 1/10W	R871	1-216-825-11	METAL CHIP	2.2K 5% 1/10W
R811	1-216-829-11	METAL CHIP	4.7K 5% 1/10W	R872	1-216-827-11	METAL CHIP	3.3K 5% 1/10W
R812	1-216-801-11	METAL CHIP	22 5% 1/10W	R873	1-216-864-11	SHORT CHIP	0
R813	1-216-805-11	METAL CHIP	47 5% 1/10W	R874	1-216-817-11	METAL CHIP	470 5% 1/10W
R821	1-216-829-11	METAL CHIP	4.7K 5% 1/10W	R875	1-216-815-11	METAL CHIP	330 5% 1/10W
R822	1-216-829-11	METAL CHIP	4.7K 5% 1/10W	R876	1-216-817-11	METAL CHIP	470 5% 1/10W
R824	1-216-864-11	SHORT CHIP	0	R877	1-216-815-11	METAL CHIP	330 5% 1/10W
R825	1-216-837-11	METAL CHIP	22K 5% 1/10W	R878	1-216-839-11	METAL CHIP	33K 5% 1/10W
R826	1-216-857-11	METAL CHIP	1M 5% 1/10W	R879	1-216-809-11	METAL CHIP	100 5% 1/10W
R827	1-216-864-11	SHORT CHIP	0	R880	1-216-817-11	METAL CHIP	470 5% 1/10W
R828	1-216-825-11	METAL CHIP	2.2K 5% 1/10W	R881	1-216-815-11	METAL CHIP	330 5% 1/10W
R829	1-216-821-11	METAL CHIP	1K 5% 1/10W	R883	1-216-821-11	METAL CHIP	1K 5% 1/10W
R830	1-216-821-11	METAL CHIP	1K 5% 1/10W	R884	1-216-817-11	METAL CHIP	470 5% 1/10W
R831	1-216-837-11	METAL CHIP	22K 5% 1/10W	R885	1-216-821-11	METAL CHIP	1K 5% 1/10W
				R886	1-216-821-11	METAL CHIP	1K 5% 1/10W
				R887	1-216-815-11	METAL CHIP	330 5% 1/10W
				R888	1-216-805-11	METAL CHIP	47 5% 1/10W
				R891	1-216-817-11	METAL CHIP	470 5% 1/10W

Ref. No.	Part No.	Description	Remark	Ref. No.	Part No.	Description	Remark
R893	1-216-805-11	METAL CHIP	47 5% 1/10W	C349	1-126-933-11	ELECT 100uF 20% 16V	
R894	1-216-815-11	METAL CHIP	330 5% 1/10W	C350	1-107-826-11	CERAMIC CHIP 0.1uF 10% 16V	
R897	1-216-845-11	METAL CHIP	100K 5% 1/10W	C351	1-126-933-11	ELECT 100uF 20% 16V	
R899	1-216-821-11	METAL CHIP	1K 5% 1/10W	C352	1-107-826-11	CERAMIC CHIP 0.1uF 10% 16V	
R900	1-216-809-11	METAL CHIP	100 5% 1/10W	C355	1-107-826-11	CERAMIC CHIP 0.1uF 10% 16V	
R901	1-216-809-11	METAL CHIP	100 5% 1/10W	C357	1-126-964-11	ELECT 10uF 20% 50V	
R902	1-216-809-11	METAL CHIP	100 5% 1/10W	C358	1-126-964-11	ELECT 10uF 20% 50V	
R903	1-216-844-11	METAL CHIP	82K 5% 1/10W	C359	1-165-908-11	CERAMIC CHIP 1uF 10% 10V	
R904	1-216-809-11	METAL CHIP	100 5% 1/10W	C360	1-165-908-11	CERAMIC CHIP 1uF 10% 10V	
< SWITCH >				C361	1-165-908-11	CERAMIC CHIP 1uF 10% 10V	
S800	1-771-349-41	SWITCH, KEYBOARD (▶▶▶)		C371	1-104-662-91	ELECT 22uF 20% 25V	
S801	1-771-349-41	SWITCH, KEYBOARD (■)		C372	1-104-662-91	ELECT 22uF 20% 25V	
S802	1-771-349-41	SWITCH, KEYBOARD (■)		C373	1-104-662-91	ELECT 22uF 20% 25V	
S803	1-771-349-41	SWITCH, KEYBOARD (◀◀◀)		C374	1-104-662-91	ELECT 22uF 20% 25V	
S804	1-771-349-41	SWITCH, KEYBOARD (FUNCTION)		C376	1-104-662-91	ELECT 22uF 20% 25V	
S805	1-771-349-41	SWITCH, KEYBOARD (DISC 1)		C383	1-107-826-11	CERAMIC CHIP 0.1uF 10% 16V	
S806	1-771-349-41	SWITCH, KEYBOARD (DISC 2)		C384	1-126-933-11	ELECT 100uF 20% 16V	
S807	1-771-349-41	SWITCH, KEYBOARD (DISC 3)		C385	1-126-960-11	ELECT 1uF 20% 50V	
S808	1-771-349-41	SWITCH, KEYBOARD (DISC 4)		C386	1-126-960-11	ELECT 1uF 20% 50V	
S809	1-771-349-41	SWITCH, KEYBOARD (DISC 5)		C387	1-107-826-11	CERAMIC CHIP 0.1uF 10% 16V	
S810	1-771-349-41	SWITCH, KEYBOARD (△)		C388	1-127-573-11	CERAMIC CHIP 1uF 10% 16V	
S811	1-771-349-41	SWITCH, KEYBOARD (▷)		C389	1-126-947-11	ELECT 47uF 20% 35V	
< TRANSFORMER >				C391	1-107-826-11	CERAMIC CHIP 0.1uF 10% 16V	
T800	1-443-645-11	TRANSFORMER, DC CONVERTER		C392	1-126-933-11	ELECT 100uF 20% 16V	
*****				< CONNECTOR >			
A-1221-023-A	IO BOARD, COMPLETE	*****		CN301	1-779-277-11	CONNECTOR, FFC (LIF (NON-ZIF)) 9P	
*****				CN302	1-564-706-11	PIN, CONNECTOR (SMALL TYPE) 4P	
< CAPACITOR >				CN304	1-779-279-11	CONNECTOR, FFC (LIF (NON-ZIF)) 11P	
C300	1-162-964-11	CERAMIC CHIP	0.001uF 10% 50V	CN305	1-568-828-11	CONNECTOR, FFC 9P	
C301	1-162-964-11	CERAMIC CHIP	0.001uF 10% 50V	CN306	1-779-287-11	CONNECTOR, FFC (LIF (NON-ZIF)) 19P	
C302	1-162-964-11	CERAMIC CHIP	0.001uF 10% 50V	CN307	1-779-273-11	CONNECTOR, FFC (LIF (NON-ZIF)) 5P	
C303	1-162-966-11	CERAMIC CHIP	0.0022uF 10% 50V	< DIODE >			
C311	1-162-960-11	CERAMIC CHIP	220PF 10% 50V	D300	6-501-193-01	DIODE 1SS355WTE-17	
C312	1-162-960-11	CERAMIC CHIP	220PF 10% 50V	D301	6-501-193-01	DIODE 1SS355WTE-17	
C316	1-162-960-11	CERAMIC CHIP	220PF 10% 50V	D309	8-719-058-24	DIODE RB501V-40TE-17	
C317	1-162-960-11	CERAMIC CHIP	220PF 10% 50V	< IC >			
C321	1-104-662-91	ELECT	22uF 20% 25V	IC301	6-703-622-01	IC MM1508XNRE	
C322	1-104-662-91	ELECT	22uF 20% 25V	IC302	6-710-470-01	IC MM1758AFBE	
C323	1-104-662-91	ELECT	22uF 20% 25V	IC303	8-759-385-76	IC MC14052 BDR2	
C324	1-104-662-91	ELECT	22uF 20% 25V	IC306	8-759-100-96	IC uPC4558G2	
C328	1-126-916-11	ELECT	1000uF 20% 6.3V	IC307	6-703-550-01	IC TA7809LS	
C330	1-107-826-11	CERAMIC CHIP	0.1uF 10% 16V	< JACK/TERMINAL BOARD >			
C331	1-126-916-11	ELECT	1000uF 20% 6.3V	J300	1-764-593-21	JACK 2P (TV/VIDEO AUDIO IN)	
C332	1-126-933-11	ELECT	100uF 20% 16V	J301	1-780-211-11	TERMINAL BOARD (S TERMINAL+1P) (MONITOR OUT VIDEO/S VIDEO (DVD ONLY))	
C333	1-126-933-11	ELECT	100uF 20% 16V	J302	1-817-449-11	JACK, PIN 3P (COMPONENT VIDEO OUT (DVD ONLY))	
C334	1-126-916-11	ELECT	1000uF 20% 6.3V	< COIL >			
C337	1-107-826-11	CERAMIC CHIP	0.1uF 10% 16V	L300	1-469-525-11	INDUCTOR 10uH	
C338	1-126-933-11	ELECT	100uF 20% 16V	L301	1-469-525-11	INDUCTOR 10uH	
C340	1-104-662-91	ELECT	22uF 20% 25V	L304	1-469-525-11	INDUCTOR 10uH	
C341	1-104-662-91	ELECT	22uF 20% 25V				
C343	1-126-964-11	ELECT	10uF 20% 50V				
C344	1-126-964-11	ELECT	10uF 20% 50V				
C347	1-126-935-11	ELECT	470uF 20% 16V				
C348	1-107-826-11	CERAMIC CHIP	0.1uF 10% 16V				

# HCD-HDX265/HDX266/HDX267W/HDX465/HDX466/HDX665

**IO** **LED** **MAIN**

Ref. No.	Part No.	Description	Remark
< TRANSISTOR >			
Q305	8-729-027-52	TRANSISTOR	DTC124EKA-T146
Q307	8-729-027-52	TRANSISTOR	DTC124EKA-T146
< RESISTOR >			
R301	1-216-864-11	SHORT CHIP	0
R306	1-216-829-11	METAL CHIP	4.7K 5% 1/10W
R307	1-216-829-11	METAL CHIP	4.7K 5% 1/10W
R308	1-216-827-11	METAL CHIP	3.3K 5% 1/10W
R309	1-216-827-11	METAL CHIP	3.3K 5% 1/10W
R314	1-216-829-11	METAL CHIP	4.7K 5% 1/10W
R318	1-216-829-11	METAL CHIP	4.7K 5% 1/10W
R321	1-216-829-11	METAL CHIP	4.7K 5% 1/10W
R323	1-218-285-11	METAL CHIP	75 5% 1/10W
R324	1-216-829-11	METAL CHIP	4.7K 5% 1/10W
R326	1-218-285-11	METAL CHIP	75 5% 1/10W
R327	1-218-285-11	METAL CHIP	75 5% 1/10W
R328	1-218-285-11	METAL CHIP	75 5% 1/10W
R329	1-218-285-11	METAL CHIP	75 5% 1/10W
R331	1-218-285-11	METAL CHIP	75 5% 1/10W
R332	1-216-829-11	METAL CHIP	4.7K 5% 1/10W
R333	1-216-841-11	METAL CHIP	47K 5% 1/10W
R334	1-216-841-11	METAL CHIP	47K 5% 1/10W
R335	1-216-841-11	METAL CHIP	47K 5% 1/10W
R336	1-216-841-11	METAL CHIP	47K 5% 1/10W
R339	1-218-285-11	METAL CHIP	75 5% 1/10W
R341	1-216-829-11	METAL CHIP	4.7K 5% 1/10W
R342	1-216-841-11	METAL CHIP	47K 5% 1/10W
R343	1-216-841-11	METAL CHIP	47K 5% 1/10W
R344	1-216-841-11	METAL CHIP	47K 5% 1/10W
R345	1-216-841-11	METAL CHIP	47K 5% 1/10W
R348	1-216-833-11	METAL CHIP	10K 5% 1/10W
R350	1-216-864-11	SHORT CHIP	0
R360	1-216-821-11	METAL CHIP	1K 5% 1/10W
R363	1-216-841-11	METAL CHIP	47K 5% 1/10W
R364	1-216-841-11	METAL CHIP	47K 5% 1/10W
R365	1-216-841-11	METAL CHIP	47K 5% 1/10W
R366	1-216-841-11	METAL CHIP	47K 5% 1/10W
R370	1-216-864-11	SHORT CHIP	0
R371	1-218-285-11	METAL CHIP	75 5% 1/10W
R372	1-218-285-11	METAL CHIP	75 5% 1/10W
R375	1-216-864-11	SHORT CHIP	0
R378	1-216-864-11	SHORT CHIP	0
R392	1-216-833-11	METAL CHIP	10K 5% 1/10W
R394	1-216-821-11	METAL CHIP	1K 5% 1/10W
R396	1-216-833-11	METAL CHIP	10K 5% 1/10W
R400	1-216-821-11	METAL CHIP	1K 5% 1/10W
R402	1-218-827-11	METAL CHIP	150 0.5% 1/10W
R403	1-216-845-11	METAL CHIP	100K 5% 1/10W
R404	1-216-845-11	METAL CHIP	100K 5% 1/10W
R405	1-218-827-11	METAL CHIP	150 0.5% 1/10W
R406	1-216-845-11	METAL CHIP	100K 5% 1/10W
R407	1-216-845-11	METAL CHIP	100K 5% 1/10W
R408	1-218-827-11	METAL CHIP	150 0.5% 1/10W
R409	1-218-827-11	METAL CHIP	150 0.5% 1/10W
R410	1-216-841-11	METAL CHIP	47K 5% 1/10W
R411	1-216-841-11	METAL CHIP	47K 5% 1/10W

Ref. No.	Part No.	Description	Remark
R412	1-218-827-11	METAL CHIP	150 0.5% 1/10W
R413	1-218-827-11	METAL CHIP	150 0.5% 1/10W
R414	1-216-864-11	SHORT CHIP	0
R415	1-216-864-11	SHORT CHIP	0
R416	1-216-829-11	METAL CHIP	4.7K 5% 1/10W
R417	1-216-829-11	METAL CHIP	4.7K 5% 1/10W
R420	1-216-817-11	METAL CHIP	470 5% 1/10W
R421	1-216-817-11	METAL CHIP	470 5% 1/10W
R426	1-216-864-11	SHORT CHIP	0
R427	1-216-864-11	SHORT CHIP	0
*****			
LED BOARD			
*****			
< CAPACITOR >			
C500	1-107-826-11	CERAMIC CHIP	0.1uF 10% 16V
C501	1-107-826-11	CERAMIC CHIP	0.1uF 10% 16V
< CONNECTOR >			
CN500	1-564-719-11	PIN, CONNECTOR (SMALL TYPE) 3P	
< LED >			
D500	6-501-688-01	LED SELT2WA10CTP3 (ILLUMINATION)	
< TRANSISTOR >			
Q500	8-729-027-23	TRANSISTOR	DTA114EKA-T146
< RESISTOR >			
R500	1-216-809-11	METAL CHIP	100 5% 1/10W
R501	1-216-811-11	METAL CHIP	150 5% 1/10W
R502	1-216-833-11	METAL CHIP	10K 5% 1/10W
*****			
Ⓔ	A-1244-171-A	MAIN BOARD, COMPLETE (for SERVICE) (HDX265: US/HDX267W)	
Ⓔ	A-1244-172-A	MAIN BOARD, COMPLETE (for SERVICE) (HDX265: AUS)	
Ⓔ	A-1244-173-A	MAIN BOARD, COMPLETE (for SERVICE) (HDX266)	
Ⓔ	A-1244-175-A	MAIN BOARD, COMPLETE (for SERVICE) (HDX465/HDX466)	
Ⓔ	A-1244-177-A	MAIN BOARD, COMPLETE (for SERVICE) (HDX665)	
Ⓔ	A-1256-691-A	MAIN BOARD, COMPLETE (for SERVICE) (HDX265: E)	
*****			
< CAPACITOR >			
C501	1-107-826-11	CERAMIC CHIP	0.1uF 10% 16V
C502	1-107-826-11	CERAMIC CHIP	0.1uF 10% 16V
C503	1-107-826-11	CERAMIC CHIP	0.1uF 10% 16V
C504	1-162-970-11	CERAMIC CHIP	0.01uF 10% 25V
C505	1-162-970-11	CERAMIC CHIP	0.01uF 10% 25V
C506	1-107-826-11	CERAMIC CHIP	0.1uF 10% 16V
C507	1-107-826-11	CERAMIC CHIP	0.1uF 10% 16V
C508	1-107-826-11	CERAMIC CHIP	0.1uF 10% 16V
C509	1-165-908-11	CERAMIC CHIP	1uF 10% 10V
C510	1-107-826-11	CERAMIC CHIP	0.1uF 10% 16V

Ref. No.	Part No.	Description	Remark	Ref. No.	Part No.	Description	Remark
C511	1-162-964-11	CERAMIC CHIP	0.001uF 10% 50V	C1136	1-162-970-11	CERAMIC CHIP	0.01uF 10% 25V
C515	1-107-826-11	CERAMIC CHIP	0.1uF 10% 16V	C1137	1-107-826-11	CERAMIC CHIP	0.1uF 10% 16V
C516	1-165-908-11	CERAMIC CHIP	1uF 10% 10V	C1138	1-162-964-11	CERAMIC CHIP	0.001uF 10% 50V
C517	1-107-826-11	CERAMIC CHIP	0.1uF 10% 16V	C1139	1-162-919-11	CERAMIC CHIP	22PF 5% 50V
C518	1-107-826-11	CERAMIC CHIP	0.1uF 10% 16V	C1140	1-107-826-11	CERAMIC CHIP	0.1uF 10% 16V
C519	1-107-826-11	CERAMIC CHIP	0.1uF 10% 16V	C1144	1-162-970-11	CERAMIC CHIP	0.01uF 10% 25V
C520	1-127-715-11	CERAMIC CHIP	0.22uF 10% 16V	C1145	1-124-779-00	ELECT CHIP	10uF 20% 16V
C521	1-162-970-11	CERAMIC CHIP	0.01uF 10% 25V	C1146	1-107-826-11	CERAMIC CHIP	0.1uF 10% 16V
C522	1-127-715-11	CERAMIC CHIP	0.22uF 10% 16V	C1147	1-165-176-11	CERAMIC CHIP	0.047uF 10% 16V
C523	1-107-826-11	CERAMIC CHIP	0.1uF 10% 16V	C1148	1-165-176-11	CERAMIC CHIP	0.047uF 10% 16V
C524	1-126-947-11	ELECT	47uF 20% 35V	C1149	1-107-826-11	CERAMIC CHIP	0.1uF 10% 16V
C525	1-107-826-11	CERAMIC CHIP	0.1uF 10% 16V	C1150	1-124-779-00	ELECT CHIP	10uF 20% 16V
C526	1-104-665-11	ELECT	100uF 20% 25V	C1151	1-162-964-11	CERAMIC CHIP	0.001uF 10% 50V
C527	1-126-916-11	ELECT	1000uF 20% 6.3V	C1152	1-162-916-11	CERAMIC CHIP	12PF 5% 50V
C528	1-126-916-11	ELECT	1000uF 20% 6.3V	C1153	1-162-916-11	CERAMIC CHIP	12PF 5% 50V
C529	1-107-823-11	CERAMIC CHIP	0.47uF 10% 16V	C1154	1-107-826-11	CERAMIC CHIP	0.1uF 10% 16V
C531	1-107-826-11	CERAMIC CHIP	0.1uF 10% 16V	C1155	1-162-970-11	CERAMIC CHIP	0.01uF 10% 25V
C532	1-107-826-11	CERAMIC CHIP	0.1uF 10% 16V	C1156	1-162-970-11	CERAMIC CHIP	0.01uF 10% 25V
C533	1-107-826-11	CERAMIC CHIP	0.1uF 10% 16V	C1157	1-162-970-11	CERAMIC CHIP	0.01uF 10% 25V
C534	1-107-826-11	CERAMIC CHIP	0.1uF 10% 16V	C1158	1-162-970-11	CERAMIC CHIP	0.01uF 10% 25V
C535	1-126-947-11	ELECT	47uF 20% 35V	C1160	1-162-970-11	CERAMIC CHIP	0.01uF 10% 25V
C536	1-126-947-11	ELECT	47uF 20% 35V	C1161	1-162-970-11	CERAMIC CHIP	0.01uF 10% 25V
C538	1-162-964-11	CERAMIC CHIP	0.001uF 10% 50V	C1162	1-162-970-11	CERAMIC CHIP	0.01uF 10% 25V
C651	1-107-826-11	CERAMIC CHIP	0.1uF 10% 16V	C1163	1-162-970-11	CERAMIC CHIP	0.01uF 10% 25V
C705	1-126-964-11	ELECT	10uF 20% 50V	C1164	1-162-970-11	CERAMIC CHIP	0.01uF 10% 25V
C706	1-126-964-11	ELECT	10uF 20% 50V	C1169	1-107-826-11	CERAMIC CHIP	0.1uF 10% 16V
C707	1-107-826-11	CERAMIC CHIP	0.1uF 10% 16V	C1170	1-124-779-00	ELECT CHIP	10uF 20% 16V
C708	1-107-826-11	CERAMIC CHIP	0.1uF 10% 16V	C1171	1-107-826-11	CERAMIC CHIP	0.1uF 10% 16V
C717	1-126-964-11	ELECT	10uF 20% 50V	C1172	1-162-970-11	CERAMIC CHIP	0.01uF 10% 25V
C718	1-107-826-11	CERAMIC CHIP	0.1uF 10% 16V	C1173	1-162-964-11	CERAMIC CHIP	0.001uF 10% 50V
C1101	1-162-970-11	CERAMIC CHIP	0.01uF 10% 25V	C1174	1-162-970-11	CERAMIC CHIP	0.01uF 10% 25V
C1102	1-125-837-11	CERAMIC CHIP	1uF 10% 6.3V	C1175	1-162-970-11	CERAMIC CHIP	0.01uF 10% 25V
C1105	1-126-947-11	ELECT	47uF 20% 35V	C1176	1-162-970-11	CERAMIC CHIP	0.01uF 10% 25V
C1106	1-162-970-11	CERAMIC CHIP	0.01uF 10% 25V	C1177	1-126-947-11	ELECT	47uF 20% 35V
C1110	1-162-970-11	CERAMIC CHIP	0.01uF 10% 25V	C1179	1-107-826-11	CERAMIC CHIP	0.1uF 10% 16V
C1112	1-128-994-21	ELECT CHIP	47uF 20% 10V	C1180	1-107-826-11	CERAMIC CHIP	0.1uF 10% 16V
C1113	1-162-970-11	CERAMIC CHIP	0.01uF 10% 25V	C1181	1-107-826-11	CERAMIC CHIP	0.1uF 10% 16V
C1114	1-107-826-11	CERAMIC CHIP	0.1uF 10% 16V	C1182	1-127-715-11	CERAMIC CHIP	0.22uF 10% 16V
C1115	1-107-826-11	CERAMIC CHIP	0.1uF 10% 16V	C1183	1-128-934-11	CERAMIC CHIP	0.33uF 20% 10V
C1116	1-107-826-11	CERAMIC CHIP	0.1uF 10% 16V	C1184	1-162-970-11	CERAMIC CHIP	0.01uF 10% 25V
C1117	1-124-779-00	ELECT CHIP	10uF 20% 16V	C1186	1-127-715-11	CERAMIC CHIP	0.22uF 10% 16V
C1118	1-126-964-11	ELECT	10uF 20% 50V	C1187	1-126-947-11	ELECT	47uF 20% 35V
C1119	1-126-964-11	ELECT	10uF 20% 50V	C1190	1-104-665-11	ELECT	100uF 20% 25V
C1120	1-165-908-11	CERAMIC CHIP	1uF 10% 10V	C1191	1-107-826-11	CERAMIC CHIP	0.1uF 10% 16V
C1121	1-165-908-11	CERAMIC CHIP	1uF 10% 10V	C1192	1-162-970-11	CERAMIC CHIP	0.01uF 10% 25V
C1122	1-165-908-11	CERAMIC CHIP	1uF 10% 10V	C1193	1-127-715-11	CERAMIC CHIP	0.22uF 10% 16V
C1123	1-165-908-11	CERAMIC CHIP	1uF 10% 10V	C1195	1-127-715-11	CERAMIC CHIP	0.22uF 10% 16V
C1124	1-165-908-11	CERAMIC CHIP	1uF 10% 10V	C1197	1-107-826-11	CERAMIC CHIP	0.1uF 10% 16V
C1125	1-107-826-11	CERAMIC CHIP	0.1uF 10% 16V	C1198	1-165-908-11	CERAMIC CHIP	1uF 10% 10V
C1126	1-107-826-11	CERAMIC CHIP	0.1uF 10% 16V	C1199	1-162-968-11	CERAMIC CHIP	0.0047uF 10% 50V
C1127	1-162-970-11	CERAMIC CHIP	0.01uF 10% 25V	C1203	1-162-970-11	CERAMIC CHIP	0.01uF 10% 25V
C1128	1-164-172-11	CERAMIC CHIP	0.0056uF 10% 25V	C1205	1-164-230-11	CERAMIC CHIP	220PF 5% 50V
C1130	1-107-826-11	CERAMIC CHIP	0.1uF 10% 16V	C1206	1-164-230-11	CERAMIC CHIP	220PF 5% 50V
C1131	1-107-826-11	CERAMIC CHIP	0.1uF 10% 16V	C1208	1-162-970-11	CERAMIC CHIP	0.01uF 10% 25V
C1132	1-107-826-11	CERAMIC CHIP	0.1uF 10% 16V	C1209	1-164-677-11	CERAMIC CHIP	0.033uF 10% 16V
C1133	1-107-826-11	CERAMIC CHIP	0.1uF 10% 16V	C1210	1-162-970-11	CERAMIC CHIP	0.01uF 10% 25V
C1135	1-164-677-11	CERAMIC CHIP	0.033uF 10% 16V	C1211	1-164-677-11	CERAMIC CHIP	0.033uF 10% 16V
				C1212	1-162-970-11	CERAMIC CHIP	0.01uF 10% 25V

# HCD-HDX265/HDX266/HDX267W/HDX465/HDX466/HDX665

## MAIN

Ref. No.	Part No.	Description			Remark	Ref. No.	Part No.	Description			Remark
C1213	1-162-970-11	CERAMIC CHIP	0.01uF	10%	25V	C3017	1-107-826-11	CERAMIC CHIP	0.1uF	10%	16V
C1214	1-162-964-11	CERAMIC CHIP	0.001uF	10%	50V	C3018	1-107-826-11	CERAMIC CHIP	0.1uF	10%	16V
C1215	1-162-970-11	CERAMIC CHIP	0.01uF	10%	25V	C3019	1-107-826-11	CERAMIC CHIP	0.1uF	10%	16V
C1217	1-126-947-11	ELECT	47uF	20%	35V	C3020	1-107-826-11	CERAMIC CHIP	0.1uF	10%	16V
C1218	1-126-964-11	ELECT	10uF	20%	50V	C3021	1-126-947-11	ELECT	47uF	20%	35V
C1219	1-162-970-11	CERAMIC CHIP	0.01uF	10%	25V	C3022	1-107-826-11	CERAMIC CHIP	0.1uF	10%	16V
C1220	1-126-964-11	ELECT	10uF	20%	50V	C3023	1-107-826-11	CERAMIC CHIP	0.1uF	10%	16V
C1221	1-107-826-11	CERAMIC CHIP	0.1uF	10%	16V	C3024	1-107-826-11	CERAMIC CHIP	0.1uF	10%	16V
C1222	1-107-826-11	CERAMIC CHIP	0.1uF	10%	16V	C3025	1-107-826-11	CERAMIC CHIP	0.1uF	10%	16V
C1224	1-162-970-11	CERAMIC CHIP	0.01uF	10%	25V	C3026	1-107-826-11	CERAMIC CHIP	0.1uF	10%	16V
C1233	1-162-968-11	CERAMIC CHIP	0.0047uF	10%	50V	C3027	1-107-826-11	CERAMIC CHIP	0.1uF	10%	16V
C1602	1-128-994-21	ELECT CHIP	47uF	20%	10V	C3028	1-107-826-11	CERAMIC CHIP	0.1uF	10%	16V
C1603	1-128-994-21	ELECT CHIP	47uF	20%	10V	C3029	1-107-826-11	CERAMIC CHIP	0.1uF	10%	16V
C1701	1-107-826-11	CERAMIC CHIP	0.1uF	10%	16V	C3030	1-107-826-11	CERAMIC CHIP	0.1uF	10%	16V
C1702	1-107-826-11	CERAMIC CHIP	0.1uF	10%	16V	C3031	1-126-947-11	ELECT	47uF	20%	35V
C1703	1-162-970-11	CERAMIC CHIP	0.01uF	10%	25V	C3032	1-107-826-11	CERAMIC CHIP	0.1uF	10%	16V
C1704	1-107-826-11	CERAMIC CHIP	0.1uF	10%	16V	C3033	1-107-826-11	CERAMIC CHIP	0.1uF	10%	16V
C1706	1-107-826-11	CERAMIC CHIP	0.1uF	10%	16V	C3034	1-107-826-11	CERAMIC CHIP	0.1uF	10%	16V
C1707	1-126-965-11	ELECT	22uF	20%	50V	C3035	1-107-826-11	CERAMIC CHIP	0.1uF	10%	16V
C1709	1-107-826-11	CERAMIC CHIP	0.1uF	10%	16V	C3036	1-107-826-11	CERAMIC CHIP	0.1uF	10%	16V
C1710	1-126-964-11	ELECT	10uF	20%	50V	C3037	1-107-826-11	CERAMIC CHIP	0.1uF	10%	16V
C1711	1-107-826-11	CERAMIC CHIP	0.1uF	10%	16V	C3038	1-107-826-11	CERAMIC CHIP	0.1uF	10%	16V
C1712	1-107-826-11	CERAMIC CHIP	0.1uF	10%	16V	C3039	1-107-826-11	CERAMIC CHIP	0.1uF	10%	16V
C1713	1-164-172-11	CERAMIC CHIP	0.0056uF	10%	25V	C3040	1-107-826-11	CERAMIC CHIP	0.1uF	10%	16V
C1714	1-107-826-11	CERAMIC CHIP	0.1uF	10%	16V	C3051	1-115-339-11	CERAMIC CHIP	0.1uF	10%	50V
C1715	1-126-947-11	ELECT	47uF	20%	35V	C3052	1-165-908-11	CERAMIC CHIP	1uF	10%	10V
C1716	1-127-715-11	CERAMIC CHIP	0.22uF	10%	16V	C3053	1-162-964-11	CERAMIC CHIP	0.001uF	10%	50V
C1717	1-162-970-11	CERAMIC CHIP	0.01uF	10%	25V	C3054	1-126-933-11	ELECT	100uF	20%	16V
C1718	1-162-970-11	CERAMIC CHIP	0.01uF	10%	25V	C3055	1-162-970-11	CERAMIC CHIP	0.01uF	10%	25V
C1719	1-127-715-11	CERAMIC CHIP	0.22uF	10%	16V	C3056	1-126-934-11	ELECT	220uF	20%	16V
C1720	1-127-715-11	CERAMIC CHIP	0.22uF	10%	16V	C3057	1-162-970-11	CERAMIC CHIP	0.01uF	10%	25V
C1723	1-127-715-11	CERAMIC CHIP	0.22uF	10%	16V	C3058	1-162-910-11	CERAMIC CHIP	5PF	0.25PF	50V
C1725	1-162-970-11	CERAMIC CHIP	0.01uF	10%	25V	C3059	1-162-964-11	CERAMIC CHIP	0.001uF	10%	50V
C1727	1-162-970-11	CERAMIC CHIP	0.01uF	10%	25V	C3060	1-162-915-11	CERAMIC CHIP	10PF	0.5PF	50V
C1729	1-127-715-11	CERAMIC CHIP	0.22uF	10%	16V	C3067	1-162-927-11	CERAMIC CHIP	100PF	5%	50V
C1730	1-127-715-11	CERAMIC CHIP	0.22uF	10%	16V	C3068	1-162-927-11	CERAMIC CHIP	100PF	5%	50V
C1736	1-126-947-11	ELECT	47uF	20%	35V	C3069	1-162-927-11	CERAMIC CHIP	100PF	5%	50V
C2103	1-162-964-11	CERAMIC CHIP	0.001uF	10%	50V	C3070	1-162-964-11	CERAMIC CHIP	0.001uF	10%	50V
C2104	1-162-964-11	CERAMIC CHIP	0.001uF	10%	50V	C3071	1-162-970-11	CERAMIC CHIP	0.01uF	10%	25V
C2105	1-162-964-11	CERAMIC CHIP	0.001uF	10%	50V	C3072	1-107-826-11	CERAMIC CHIP	0.1uF	10%	16V
C2106	1-162-964-11	CERAMIC CHIP	0.001uF	10%	50V	C3073	1-107-826-11	CERAMIC CHIP	0.1uF	10%	16V
C2107	1-162-964-11	CERAMIC CHIP	0.001uF	10%	50V	C3081	1-126-935-11	ELECT	470uF	20%	16V
C2108	1-107-826-11	CERAMIC CHIP	0.1uF	10%	16V	C3082	1-126-935-11	ELECT	470uF	20%	16V
C2110	1-104-665-11	ELECT	100uF	20%	25V	C3083	1-162-927-11	CERAMIC CHIP	100PF	5%	50V
C2111	1-125-891-11	CERAMIC CHIP	0.47uF	10%	10V	C3084	1-162-927-11	CERAMIC CHIP	100PF	5%	50V
C2114	1-162-970-11	CERAMIC CHIP	0.01uF	10%	25V	C3085	1-162-927-11	CERAMIC CHIP	100PF	5%	50V
C2130	1-162-970-11	CERAMIC CHIP	0.01uF	10%	25V	C3086	1-162-927-11	CERAMIC CHIP	100PF	5%	50V
C3000	1-126-382-11	ELECT	100uF	20%	16V	C3087	1-162-927-11	CERAMIC CHIP	100PF	5%	50V
C3001	1-126-947-11	ELECT	47uF	20%	35V	C3088	1-162-927-11	CERAMIC CHIP	100PF	5%	50V
C3002	1-115-339-11	CERAMIC CHIP	0.1uF	10%	50V	C3090	1-104-665-11	ELECT	100uF	20%	25V
C3008	1-164-156-11	CERAMIC CHIP	0.1uF	10%	25V	C3091	1-126-934-11	ELECT	220uF	20%	16V
C3011	1-126-947-11	ELECT	47uF	20%	35V	C3092	1-162-927-11	CERAMIC CHIP	100PF	5%	50V
C3012	1-107-826-11	CERAMIC CHIP	0.1uF	10%	16V	C3093	1-162-927-11	CERAMIC CHIP	100PF	5%	50V
C3013	1-107-826-11	CERAMIC CHIP	0.1uF	10%	16V	C3094	1-162-927-11	CERAMIC CHIP	100PF	5%	50V
C3014	1-107-826-11	CERAMIC CHIP	0.1uF	10%	16V	C3095	1-162-964-11	CERAMIC CHIP	0.001uF	10%	50V
C3015	1-107-826-11	CERAMIC CHIP	0.1uF	10%	16V	C3100	1-104-329-11	CERAMIC CHIP	0.1uF	10%	50V
C3016	1-107-826-11	CERAMIC CHIP	0.1uF	10%	16V	C3103	1-107-725-11	CERAMIC CHIP	0.1uF	10%	16V
						C3104	1-164-156-11	CERAMIC CHIP	0.1uF	10%	25V

# HCD-HDX265/HDX266/HDX267W/HDX465/HDX466/HDX665

MAIN

Ref. No.	Part No.	Description	Remark			Ref. No.	Part No.	Description	Remark		
C3105	1-107-725-11	CERAMIC CHIP	0.1uF	10%	16V	C3265	1-136-177-00	FILM	1uF	5%	50V
C3106	1-115-185-11	CERAMIC CHIP	0.033uF	10%	50V	C3266	1-112-831-11	ELECT	2200uF	20%	35V
C3107	1-115-185-11	CERAMIC CHIP	0.033uF	10%	50V	C3300	1-104-329-11	CERAMIC CHIP	0.1uF	10%	50V
C3108	1-104-329-11	CERAMIC CHIP	0.1uF	10%	50V	C3303	1-107-725-11	CERAMIC CHIP	0.1uF	10%	16V
C3109	1-112-246-11	ELECT	100uF	20%	35V	C3304	1-164-156-11	CERAMIC CHIP	0.1uF		25V
C3112	1-112-246-11	ELECT	100uF	20%	35V	C3305	1-107-725-11	CERAMIC CHIP	0.1uF	10%	16V
C3113	1-104-329-11	CERAMIC CHIP	0.1uF	10%	50V	C3306	1-115-185-11	CERAMIC CHIP	0.033uF	10%	50V
C3114	1-136-177-00	FILM	1uF	5%	50V	C3307	1-115-185-11	CERAMIC CHIP	0.033uF	10%	50V
C3115	1-136-177-00	FILM	1uF	5%	50V	C3308	1-104-329-11	CERAMIC CHIP	0.1uF	10%	50V
C3116	1-112-831-11	ELECT	2200uF	20%	35V	C3309	1-112-246-11	ELECT	100uF	20%	35V
C3122	1-162-964-11	CERAMIC CHIP	0.001uF	10%	50V	C3312	1-112-246-11	ELECT	100uF	20%	35V
C3123	1-162-964-11	CERAMIC CHIP	0.001uF	10%	50V	C3313	1-104-329-11	CERAMIC CHIP	0.1uF	10%	50V
C3124	1-164-505-11	CERAMIC CHIP	2.2uF		16V	C3314	1-136-177-00	FILM	1uF	5%	50V
C3125	1-164-505-11	CERAMIC CHIP	2.2uF		16V	C3315	1-136-177-00	FILM	1uF	5%	50V
C3126	1-164-505-11	CERAMIC CHIP	2.2uF		16V	C3316	1-112-831-11	ELECT	2200uF	20%	35V
C3127	1-164-505-11	CERAMIC CHIP	2.2uF		16V	C3322	1-162-964-11	CERAMIC CHIP	0.001uF	10%	50V
C3128	1-164-505-11	CERAMIC CHIP	2.2uF		16V	C3323	1-162-964-11	CERAMIC CHIP	0.001uF	10%	50V
C3129	1-117-370-11	CERAMIC CHIP	10uF		10V	C3400	1-104-329-11	CERAMIC CHIP	0.1uF	10%	50V
C3150	1-104-329-11	CERAMIC CHIP	0.1uF	10%	50V	C3403	1-107-725-11	CERAMIC CHIP	0.1uF	10%	16V
C3153	1-107-725-11	CERAMIC CHIP	0.1uF	10%	16V	C3404	1-164-156-11	CERAMIC CHIP	0.1uF		25V
C3154	1-164-156-11	CERAMIC CHIP	0.1uF		25V	C3405	1-107-725-11	CERAMIC CHIP	0.1uF	10%	16V
C3155	1-107-725-11	CERAMIC CHIP	0.1uF	10%	16V	C3406	1-115-185-11	CERAMIC CHIP	0.033uF	10%	50V
C3156	1-115-185-11	CERAMIC CHIP	0.033uF	10%	50V	C3407	1-115-185-11	CERAMIC CHIP	0.033uF	10%	50V
C3157	1-115-185-11	CERAMIC CHIP	0.033uF	10%	50V	C3408	1-104-329-11	CERAMIC CHIP	0.1uF	10%	50V
C3158	1-104-329-11	CERAMIC CHIP	0.1uF	10%	50V	C3409	1-112-246-11	ELECT	100uF	20%	35V
C3159	1-112-246-11	ELECT	100uF	20%	35V	C3412	1-112-246-11	ELECT	100uF	20%	35V
C3162	1-112-246-11	ELECT	100uF	20%	35V	C3413	1-104-329-11	CERAMIC CHIP	0.1uF	10%	50V
C3163	1-104-329-11	CERAMIC CHIP	0.1uF	10%	50V	C3414	1-136-177-00	FILM	1uF	5%	50V
C3164	1-136-177-00	FILM	1uF	5%	50V	C3415	1-136-177-00	FILM	1uF	5%	50V
C3165	1-136-177-00	FILM	1uF	5%	50V	C3416	1-112-831-11	ELECT	2200uF	20%	35V
C3166	1-112-831-11	ELECT	2200uF	20%	35V	C3422	1-162-964-11	CERAMIC CHIP	0.001uF	10%	50V
C3172	1-162-964-11	CERAMIC CHIP	0.001uF	10%	50V	C3423	1-162-964-11	CERAMIC CHIP	0.001uF	10%	50V
C3173	1-162-964-11	CERAMIC CHIP	0.001uF	10%	50V	C3500	1-104-329-11	CERAMIC CHIP	0.1uF	10%	50V
C3200	1-104-329-11	CERAMIC CHIP	0.1uF	10%	50V						(EXCEPT HDX266)
C3203	1-107-725-11	CERAMIC CHIP	0.1uF	10%	16V	C3503	1-107-725-11	CERAMIC CHIP	0.1uF	10%	16V
C3204	1-164-156-11	CERAMIC CHIP	0.1uF		25V						(EXCEPT HDX266)
C3205	1-107-725-11	CERAMIC CHIP	0.1uF	10%	16V	C3504	1-164-156-11	CERAMIC CHIP	0.1uF		25V
C3206	1-115-185-11	CERAMIC CHIP	0.033uF	10%	50V						(EXCEPT HDX266)
C3207	1-115-185-11	CERAMIC CHIP	0.033uF	10%	50V	C3505	1-107-725-11	CERAMIC CHIP	0.1uF	10%	16V
C3208	1-104-329-11	CERAMIC CHIP	0.1uF	10%	50V						(EXCEPT HDX266)
C3209	1-112-246-11	ELECT	100uF	20%	35V	C3506	1-115-185-11	CERAMIC CHIP	0.033uF	10%	50V
C3212	1-112-246-11	ELECT	100uF	20%	35V						(EXCEPT HDX266)
C3213	1-104-329-11	CERAMIC CHIP	0.1uF	10%	50V	C3507	1-115-185-11	CERAMIC CHIP	0.033uF	10%	50V
C3214	1-136-177-00	FILM	1uF	5%	50V						(EXCEPT HDX266)
C3215	1-136-177-00	FILM	1uF	5%	50V	C3508	1-104-329-11	CERAMIC CHIP	0.1uF	10%	50V
C3216	1-112-831-11	ELECT	2200uF	20%	35V						(EXCEPT HDX266)
C3250	1-104-329-11	CERAMIC CHIP	0.1uF	10%	50V	C3509	1-112-246-11	ELECT	100uF	20%	35V
C3253	1-107-725-11	CERAMIC CHIP	0.1uF	10%	16V						(EXCEPT HDX266)
C3254	1-164-156-11	CERAMIC CHIP	0.1uF		25V	C3512	1-112-246-11	ELECT	100uF	20%	35V
C3255	1-107-725-11	CERAMIC CHIP	0.1uF	10%	16V						(EXCEPT HDX266)
C3256	1-115-185-11	CERAMIC CHIP	0.033uF	10%	50V	C3513	1-104-329-11	CERAMIC CHIP	0.1uF	10%	50V
C3257	1-115-185-11	CERAMIC CHIP	0.033uF	10%	50V						(EXCEPT HDX266)
C3258	1-104-329-11	CERAMIC CHIP	0.1uF	10%	50V	C3514	1-136-177-00	FILM	1uF	5%	50V
C3259	1-112-246-11	ELECT	100uF	20%	35V						(EXCEPT HDX266)
C3262	1-112-246-11	ELECT	100uF	20%	35V	C3515	1-136-177-00	FILM	1uF	5%	50V
C3263	1-104-329-11	CERAMIC CHIP	0.1uF	10%	50V						(EXCEPT HDX266)
C3264	1-136-177-00	FILM	1uF	5%	50V	C3516	1-112-831-11	ELECT	2200uF	20%	35V
											(EXCEPT HDX266)
						C3551	1-126-960-11	ELECT	1uF	20%	50V
						C3552	1-126-964-11	ELECT	10uF	20%	50V



# HCD-HDX265/HDX266/HDX267W/HDX465/HDX466/HDX665

## MAIN

Ref. No.	Part No.	Description	Remark	Ref. No.	Part No.	Description	Remark
C3553	1-164-505-11	CERAMIC CHIP 2.2uF	16V			< FERRITE BEAD/JUMPER RESISTOR >	
C3556	1-164-505-11	CERAMIC CHIP 2.2uF	16V	FB504	1-469-324-21	FERRITE, EMI (SMD) (2012)	
C3901	1-162-964-11	CERAMIC CHIP 0.001uF 10%	50V	FB505	1-469-324-21	FERRITE, EMI (SMD) (2012)	
C3902	1-162-964-11	CERAMIC CHIP 0.001uF 10%	50V	FB506	1-469-324-21	FERRITE, EMI (SMD) (2012)	
C3903	1-162-964-11	CERAMIC CHIP 0.001uF 10%	50V	FB507	1-469-324-21	FERRITE, EMI (SMD) (2012)	
C3904	1-162-964-11	CERAMIC CHIP 0.001uF 10%	50V	FB508	1-469-324-21	FERRITE, EMI (SMD) (2012)	
C3911	1-163-021-11	CERAMIC CHIP 0.01uF 10%	50V	FB509	1-469-324-21	FERRITE, EMI (SMD) (2012)	
C3912	1-163-021-11	CERAMIC CHIP 0.01uF 10%	50V	FB510	1-469-324-21	FERRITE, EMI (SMD) (2012)	
C3913	1-163-021-11	CERAMIC CHIP 0.01uF 10%	50V	FB1106	1-469-324-21	FERRITE, EMI (SMD) (2012)	
C3914	1-163-021-11	CERAMIC CHIP 0.01uF 10%	50V	FB1107	1-469-324-21	FERRITE, EMI (SMD) (2012)	
C4501	1-117-370-11	CERAMIC CHIP 10uF	10V	FB1108	1-469-324-21	FERRITE, EMI (SMD) (2012)	
C4502	1-162-970-11	CERAMIC CHIP 0.01uF 10%	25V	FB1111	1-469-670-21	FERRITE, EMI (SMD) (2012)	
C4504	1-162-970-11	CERAMIC CHIP 0.01uF 10%	25V	FB1112	1-469-670-21	FERRITE, EMI (SMD) (2012)	
C9772	1-107-826-11	CERAMIC CHIP 0.1uF 10%	16V	FB1115	1-469-670-21	FERRITE, EMI (SMD) (2012)	
		< CONNECTOR >		FB1123	1-469-324-21	FERRITE, EMI (SMD) (2012)	
CN501	1-784-380-51	CONNECTOR, FFC/FPC 23P		FB1601	1-469-324-21	FERRITE, EMI (SMD) (2012)	
CN503	1-784-368-51	CONNECTOR, FFC/FPC 9P		FB1602	1-469-324-21	FERRITE, EMI (SMD) (2012)	
CN512	1-506-469-11	PIN, CONNECTOR 4P		FB1603	1-469-324-21	FERRITE, EMI (SMD) (2012)	
CN606	1-778-691-51	CONNECTOR, FFC/FPC 19P		FB1701	1-469-324-21	FERRITE, EMI (SMD) (2012)	
CN625	1-774-744-21	CONNECTOR, BOARD TO BOARD 18P		FB1702	1-469-324-21	FERRITE, EMI (SMD) (2012)	
CN651	1-779-279-11	CONNECTOR, FFC (LIF (NON-ZIF)) 11P		FB1703	1-469-324-21	FERRITE, EMI (SMD) (2012)	
CN702	1-779-273-11	CONNECTOR, FFC (LIF (NON-ZIF)) 5P		FB2101	1-469-324-21	FERRITE, EMI (SMD) (2012)	
CN1101	1-815-763-32	CONNECTOR, FFC/FPC 24P		FB2103	1-469-324-21	FERRITE, EMI (SMD) (2012)	
* CN1105	1-770-470-21	PIN, CONNECTOR (PC BOARD) 6P		FB2120	1-469-118-21	FERRITE, EMI (SMD) (1608)	
* CN1201	1-770-470-21	PIN, CONNECTOR (PC BOARD) 6P		FB2121	1-469-118-21	FERRITE, EMI (SMD) (1608)	
CN1701	1-820-735-11	HDMI CONNECTOR (HDMI OUT (DVD ONLY))		FB2122	1-469-118-21	FERRITE, EMI (SMD) (1608)	
CN3000	1-564-704-41	PIN, CONNECTOR (SMALL TYPE) 2P		FB2123	1-469-118-21	FERRITE, EMI (SMD) (1608)	
CN3001	1-564-706-11	PIN, CONNECTOR (SMALL TYPE) 4P		FB2124	1-469-118-21	FERRITE, EMI (SMD) (1608)	
CN3002	1-785-102-11	PIN, CONNECTOR (3.96mm PITCH) 4P		FB2125	1-469-118-21	FERRITE, EMI (SMD) (1608)	
CN4302	1-784-370-51	CONNECTOR, FFC/FPC 11P		FB3051	1-216-295-00	SHORT CHIP 0	
		< DIODE >				< FILTER >	
D501	6-501-193-01	DIODE 1SS355WTE-17		FL1111	1-234-494-21	FILTER, EMI REMOVAL (SMD)	
D502	6-501-193-01	DIODE 1SS355WTE-17		FL4501	1-234-177-21	FILTER, CHIP EMI	
D504	6-501-193-01	DIODE 1SS355WTE-17				< IC >	
D505	6-500-334-01	DIODE MC2836-T112-1		IC501	6-807-381-01	IC M30622MGP-A58FPU0	
D701	6-501-579-01	DIODE MC2837		IC502	6-702-302-01	IC TK11133CSCL-G	
D3071	6-501-193-01	DIODE 1SS355WTE-17		IC503	6-708-922-01	IC PST3635NR	
D3072	6-501-193-01	DIODE 1SS355WTE-17		IC504	6-709-034-01	IC NJM2887DL3 (TE2)	
D3073	6-501-193-01	DIODE 1SS355WTE-17		IC651	6-706-487-01	IC TC7SH08FU (T5RSOYJF)	
D3111	6-500-885-01	DIODE P6SMBJ33A-5		IC772	6-710-554-01	IC PCM1808PWR	
D3112	6-500-885-01	DIODE P6SMBJ33A-5		IC1101	6-710-093-01	IC CXD9889R	
D3151	6-500-885-01	DIODE P6SMBJ33A-5		IC1102	6-807-160-01	IC S29AL032D70TF-CHI1-0701CE (HDX265: E, AUS)	
D3152	6-500-885-01	DIODE P6SMBJ33A-5		IC1102	6-807-173-01	IC S29AL032D70TF-CHI1-0701UC (HDX265: US/HDX266/HDX267W/HDX465/ HDX466/HDX665)	
D3201	6-500-885-01	DIODE P6SMBJ33A-5		IC1103	(Not supplied)	IC BR24L64F-WE2	
D3202	6-500-885-01	DIODE P6SMBJ33A-5		IC1104	6-709-370-01	IC A2V64S40CTP-G75	
D3251	6-500-885-01	DIODE P6SMBJ33A-5		IC1105	6-702-302-01	IC TK11133CSCL-G	
D3252	6-500-885-01	DIODE P6SMBJ33A-5		IC1107	6-702-302-01	IC TK11133CSCL-G	
D3301	6-500-885-01	DIODE P6SMBJ33A-5		IC1110	6-707-739-01	IC MM1661JTRE	
D3302	6-500-885-01	DIODE P6SMBJ33A-5		IC1111	6-704-100-01	IC TC7PAU04FU (TE85R)	
D3401	6-500-885-01	DIODE P6SMBJ33A-5		IC1201	6-704-524-01	IC FAN8036L	
D3402	6-500-885-01	DIODE P6SMBJ33A-5		IC1701	6-708-682-01	IC CXD9873Q	
D3501	6-500-885-01	DIODE P6SMBJ33A-5 (EXCEPT HDX266)		IC1702	6-702-300-01	IC TK11118CSCL-G	
D3502	6-500-885-01	DIODE P6SMBJ33A-5 (EXCEPT HDX266)		IC1703	6-702-302-01	IC TK11133CSCL-G	
D3551	6-501-579-01	DIODE MC2837					
D9712	6-501-193-01	DIODE 1SS355WTE-17					

**Note:** EEPROM (IC1103) cannot exchange with single.  
When EEPROM (IC103) is damaged, exchange  
the entire mounted board.

Ref. No.	Part No.	Description	Remark	Ref. No.	Part No.	Description	Remark
IC1705	8-759-592-47	IC TC7S208FU (TE85R)		Q3101	8-729-600-22	TRANSISTOR	2SA1235-F
IC1707	6-705-337-01	IC TK11150CSCL-G		Q3102	8-729-600-22	TRANSISTOR	2SA1235-F
IC3001	8-759-710-97	IC NJM4565M-D		Q3151	8-729-600-22	TRANSISTOR	2SA1235-F
IC3003	8-759-680-48	IC TC7WH157FK (TE85R)		Q3152	8-729-600-22	TRANSISTOR	2SA1235-F
IC3010	6-707-939-01	IC CXD9843AR		Q3201	8-729-600-22	TRANSISTOR	2SA1235-F
IC3020	6-707-939-01	IC CXD9843AR		Q3202	8-729-600-22	TRANSISTOR	2SA1235-F
IC3030	6-707-939-01	IC CXD9843AR		Q3251	8-729-600-22	TRANSISTOR	2SA1235-F
IC3050	6-702-300-01	IC TK11118CSCL-G		Q3252	8-729-600-22	TRANSISTOR	2SA1235-F
IC3051	6-706-492-01	IC TC7SHU04FU (T5RSOJF)		Q3301	8-729-600-22	TRANSISTOR	2SA1235-F
IC3100	6-708-921-01	IC CXD9883M		Q3302	8-729-600-22	TRANSISTOR	2SA1235-F
IC3150	6-708-921-01	IC CXD9883M		Q3401	8-729-600-22	TRANSISTOR	2SA1235-F
IC3200	6-708-921-01	IC CXD9883M		Q3402	8-729-600-22	TRANSISTOR	2SA1235-F
IC3250	6-708-921-01	IC CXD9883M		Q3551	8-729-120-28	TRANSISTOR	2SC1623-L5L6
IC3300	6-708-921-01	IC CXD9883M		Q3552	8-729-120-28	TRANSISTOR	2SC1623-L5L6
IC3400	6-708-921-01	IC CXD9883M		Q3553	8-729-120-28	TRANSISTOR	2SC1623-L5L6
IC3500	6-708-921-01	IC CXD9883M (EXCEPT HDX266)		Q9724	8-729-026-53	TRANSISTOR	2SA1576A-T106-QR
IC4501	8-759-573-97	IC SN74LVC541APWR		Q9726	8-729-905-35	TRANSISTOR	2SC4081-R
		< COIL >		Q9728	8-729-905-35	TRANSISTOR	2SC4081-R
L701	1-414-754-11	INDUCTOR	10uH	Q9729	8-729-027-43	TRANSISTOR	DTC114EKA-T146
L3000	1-469-527-11	INDUCTOR	47uH			< RESISTOR >	
L3051	1-414-754-11	INDUCTOR	10uH	R146	1-216-805-11	METAL CHIP	47 5% 1/10W
L3052	1-414-754-11	INDUCTOR	10uH	R501	1-216-857-11	METAL CHIP	1M 5% 1/10W
L3053	1-414-754-11	INDUCTOR	10uH	R502	1-216-809-11	METAL CHIP	100 5% 1/10W
L3054	1-412-939-11	INDUCTOR	1uH	R504	1-216-833-11	METAL CHIP	10K 5% 1/10W
L3111	1-456-680-11	INDUCTOR	10uH				(HDX265: E)
L3112	1-456-680-11	INDUCTOR	10uH	R504	1-216-835-11	METAL CHIP	15K 5% 1/10W
L3151	1-456-680-11	INDUCTOR	10uH				(HDX265: AUS)
L3152	1-456-680-11	INDUCTOR	10uH	R504	1-216-841-11	METAL CHIP	47K 5% 1/10W
L3201	1-456-680-11	INDUCTOR	10uH				(EXCEPT HDX265: E, AUS)
L3202	1-456-680-11	INDUCTOR	10uH	R505	1-216-837-11	METAL CHIP	22K 5% 1/10W
L3251	1-456-680-11	INDUCTOR	10uH				(EXCEPT HDX265: E, AUS)
L3252	1-456-680-11	INDUCTOR	10uH	R505	1-216-841-11	METAL CHIP	47K 5% 1/10W
L3301	1-456-680-11	INDUCTOR	10uH				(HDX265: E, AUS)
L3302	1-456-680-11	INDUCTOR	10uH	R506	1-216-827-11	METAL CHIP	3.3K 5% 1/10W
L3401	1-456-680-11	INDUCTOR	10uH				(HDX266)
L3402	1-456-680-11	INDUCTOR	10uH	R506	1-218-867-11	METAL CHIP	6.8K 0.5% 1/10W
L3501	1-456-680-11	INDUCTOR	10uH (EXCEPT HDX266)				(HDX265/HDX267W)
L3502	1-456-680-11	INDUCTOR	10uH (EXCEPT HDX266)	R506	1-216-835-11	METAL CHIP	15K 5% 1/10W
L3901	1-457-077-11	AIR-CORE COIL					(HDX465/HDX466)
L3902	1-457-078-11	AIR-CORE COIL		R506	1-216-841-11	METAL CHIP	47K 5% 1/10W
L3903	1-457-077-11	AIR-CORE COIL					(HDX665)
L3904	1-457-078-11	AIR-CORE COIL		R507	1-216-841-11	METAL CHIP	47K 5% 1/10W
		< TRANSISTOR >		R508	1-216-821-11	METAL CHIP	1K 5% 1/10W
Q503	8-729-120-28	TRANSISTOR	2SC1623-L5L6	R509	1-216-809-11	METAL CHIP	100 5% 1/10W
Q504	6-550-718-01	FET	RSR025N03TL	R510	1-216-833-11	METAL CHIP	10K 5% 1/10W
Q631	8-729-120-28	TRANSISTOR	2SC1623-L5L6	R511	1-216-821-11	METAL CHIP	1K 5% 1/10W
Q632	8-729-120-28	TRANSISTOR	2SC1623-L5L6	R512	1-216-833-11	METAL CHIP	10K 5% 1/10W
Q1101	6-550-008-01	FET	UM6K1N-TN	R513	1-216-821-11	METAL CHIP	1K 5% 1/10W
Q1102	6-550-653-01	TRANSISTOR	QST8TR	R514	1-216-833-11	METAL CHIP	10K 5% 1/10W
Q1103	8-729-027-52	TRANSISTOR	DTC124EKA-T146	R515	1-216-821-11	METAL CHIP	1K 5% 1/10W
Q1701	6-550-008-01	FET	UM6K1N-TN	R516	1-216-821-11	METAL CHIP	1K 5% 1/10W
Q3000	8-729-142-48	TRANSISTOR	2SD1616-TP-LK	R517	1-216-809-11	METAL CHIP	100 5% 1/10W
Q3001	8-729-120-28	TRANSISTOR	2SC1623-L5L6	R518	1-216-809-11	METAL CHIP	100 5% 1/10W
Q3002	8-729-120-28	TRANSISTOR	2SC1623-L5L6	R519	1-216-833-11	METAL CHIP	10K 5% 1/10W
Q3081	8-729-027-23	TRANSISTOR	DTA114EKA-T146	R526	1-216-821-11	METAL CHIP	1K 5% 1/10W
				R527	1-216-833-11	METAL CHIP	10K 5% 1/10W
				R528	1-216-833-11	METAL CHIP	10K 5% 1/10W
				R529	1-216-821-11	METAL CHIP	1K 5% 1/10W

# HCD-HDX265/HDX266/HDX267W/HDX465/HDX466/HDX665

## MAIN

Ref. No.	Part No.	Description			Remark	Ref. No.	Part No.	Description			Remark
R530	1-216-809-11	METAL CHIP	100	5%	1/10W	R614	1-216-809-11	METAL CHIP	100	5%	1/10W
R531	1-216-833-11	METAL CHIP	10K	5%	1/10W	R620	1-216-809-11	METAL CHIP	100	5%	1/10W
R532	1-216-821-11	METAL CHIP	1K	5%	1/10W	R621	1-216-809-11	METAL CHIP	100	5%	1/10W
R533	1-216-809-11	METAL CHIP	100	5%	1/10W	R622	1-216-809-11	METAL CHIP	100	5%	1/10W
R534	1-216-833-11	METAL CHIP	10K	5%	1/10W	R623	1-216-809-11	METAL CHIP	100	5%	1/10W
R535	1-216-809-11	METAL CHIP	100	5%	1/10W	R624	1-216-809-11	METAL CHIP	100	5%	1/10W
R536	1-216-864-11	SHORT CHIP	0			R625	1-216-809-11	METAL CHIP	100	5%	1/10W
R539	1-216-833-11	METAL CHIP	10K	5%	1/10W	R631	1-216-833-11	METAL CHIP	10K	5%	1/10W
R540	1-216-833-11	METAL CHIP	10K	5%	1/10W	R632	1-216-841-11	METAL CHIP	47K	5%	1/10W
R542	1-216-833-11	METAL CHIP	10K	5%	1/10W	R636	1-216-864-11	SHORT CHIP	0		
R546	1-216-833-11	METAL CHIP	10K	5%	1/10W	R637	1-216-809-11	METAL CHIP	100	5%	1/10W
R547	1-216-864-11	SHORT CHIP	0			R638	1-216-809-11	METAL CHIP	100	5%	1/10W
R548	1-216-864-11	SHORT CHIP	0			R639	1-216-809-11	METAL CHIP	100	5%	1/10W
R550	1-216-821-11	METAL CHIP	1K	5%	1/10W	R642	1-216-809-11	METAL CHIP	100	5%	1/10W
R552	1-216-821-11	METAL CHIP	1K	5%	1/10W	R651	1-216-809-11	METAL CHIP	100	5%	1/10W
R553	1-216-833-11	METAL CHIP	10K	5%	1/10W	R652	1-216-809-11	METAL CHIP	100	5%	1/10W
R554	1-216-833-11	METAL CHIP	10K	5%	1/10W	R653	1-216-809-11	METAL CHIP	100	5%	1/10W
R555	1-216-833-11	METAL CHIP	10K	5%	1/10W	R654	1-216-809-11	METAL CHIP	100	5%	1/10W
R556	1-216-841-11	METAL CHIP	47K	5%	1/10W	R655	1-216-809-11	METAL CHIP	100	5%	1/10W
R557	1-216-841-11	METAL CHIP	47K	5%	1/10W	R656	1-216-809-11	METAL CHIP	100	5%	1/10W
R558	1-216-833-11	METAL CHIP	10K	5%	1/10W	R657	1-216-809-11	METAL CHIP	100	5%	1/10W
R559	1-216-833-11	METAL CHIP	10K	5%	1/10W	R658	1-216-809-11	METAL CHIP	100	5%	1/10W
R561	1-216-845-11	METAL CHIP	100K	5%	1/10W	R659	1-216-809-11	METAL CHIP	100	5%	1/10W
R562	1-216-841-11	METAL CHIP	47K	5%	1/10W	R691	1-216-864-11	SHORT CHIP	0		
R563	1-216-833-11	METAL CHIP	10K	5%	1/10W	R692	1-216-864-11	SHORT CHIP	0		
R564	1-216-864-11	SHORT CHIP	0			R693	1-216-864-11	SHORT CHIP	0		
R565	1-216-864-11	SHORT CHIP	0			R694	1-216-864-11	SHORT CHIP	0		
R566	1-216-864-11	SHORT CHIP	0			R695	1-216-864-11	SHORT CHIP	0		
R567	1-216-864-11	SHORT CHIP	0			R696	1-216-864-11	SHORT CHIP	0		
R568	1-216-864-11	SHORT CHIP	0			R701	1-216-813-11	METAL CHIP	220	5%	1/10W
R569	1-216-864-11	SHORT CHIP	0			R702	1-216-864-11	SHORT CHIP	0		
R572	1-218-751-11	METAL CHIP	300K	0.5%	1/10W	R721	1-216-864-11	SHORT CHIP	0		
R573	1-216-845-11	METAL CHIP	100K	5%	1/10W	R770	1-216-809-11	METAL CHIP	100	5%	1/10W
R575	1-216-821-11	METAL CHIP	1K	5%	1/10W	R775	1-216-801-11	METAL CHIP	22	5%	1/10W
R576	1-216-821-11	METAL CHIP	1K	5%	1/10W	R776	1-216-801-11	METAL CHIP	22	5%	1/10W
R577	1-216-841-11	METAL CHIP	47K	5%	1/10W	R777	1-216-801-11	METAL CHIP	22	5%	1/10W
R578	1-216-809-11	METAL CHIP	100	5%	1/10W	R778	1-216-864-11	SHORT CHIP	0		
R579	1-216-821-11	METAL CHIP	1K	5%	1/10W	R780	1-216-805-11	METAL CHIP	47	5%	1/10W
R580	1-216-809-11	METAL CHIP	100	5%	1/10W	R781	1-216-805-11	METAL CHIP	47	5%	1/10W
R582	1-216-864-11	SHORT CHIP	0			R782	1-216-801-11	METAL CHIP	22	5%	1/10W
R583	1-216-841-11	METAL CHIP	47K	5%	1/10W	R783	1-216-801-11	METAL CHIP	22	5%	1/10W
R586	1-216-833-11	METAL CHIP	10K	5%	1/10W	R784	1-216-801-11	METAL CHIP	22	5%	1/10W
R587	1-216-833-11	METAL CHIP	10K	5%	1/10W	R785	1-216-801-11	METAL CHIP	22	5%	1/10W
R589	1-216-295-00	SHORT CHIP	0			R786	1-216-295-00	SHORT CHIP	0		
R590	1-216-295-00	SHORT CHIP	0			R790	1-216-864-11	SHORT CHIP	0		
R596	1-216-295-00	SHORT CHIP	0			R1101	1-216-809-11	METAL CHIP	100	5%	1/10W
R597	1-216-295-00	SHORT CHIP	0			R1102	1-216-295-00	SHORT CHIP	0		
R598	1-216-296-11	SHORT CHIP	0			R1103	1-216-864-11	SHORT CHIP	0		
R599	1-216-295-00	SHORT CHIP	0			R1105	1-216-833-11	METAL CHIP	10K	5%	1/10W
R601	1-216-864-11	SHORT CHIP	0			R1106	1-216-833-11	METAL CHIP	10K	5%	1/10W
R604	1-216-809-11	METAL CHIP	100	5%	1/10W	R1107	1-216-833-11	METAL CHIP	10K	5%	1/10W
R605	1-216-809-11	METAL CHIP	100	5%	1/10W	R1108	1-216-857-11	METAL CHIP	1M	5%	1/10W
R606	1-216-809-11	METAL CHIP	100	5%	1/10W	R1109	1-216-864-11	SHORT CHIP	0		
R607	1-216-809-11	METAL CHIP	100	5%	1/10W	R1110	1-216-841-11	METAL CHIP	47K	5%	1/10W
R608	1-216-809-11	METAL CHIP	100	5%	1/10W	R1111	1-216-809-11	METAL CHIP	100	5%	1/10W
R612	1-216-809-11	METAL CHIP	100	5%	1/10W	R1112	1-211-977-11	METAL CHIP	22	0.5%	1/10W
R613	1-216-809-11	METAL CHIP	100	5%	1/10W	R1113	1-211-977-11	METAL CHIP	22	0.5%	1/10W
						R1114	1-216-845-11	METAL CHIP	100K	5%	1/10W

Ref. No.	Part No.	Description			Remark	Ref. No.	Part No.	Description			Remark
R1115	1-211-977-11	METAL CHIP	22	0.5%	1/10W	R1226	1-218-889-11	METAL CHIP	56K	0.5%	1/10W
R1116	1-216-821-11	METAL CHIP	1K	5%	1/10W	R1230	1-218-893-11	METAL CHIP	82K	0.5%	1/10W
R1117	1-216-841-11	METAL CHIP	47K	5%	1/10W	R1231	1-218-875-11	METAL CHIP	15K	0.5%	1/10W
R1118	1-216-801-11	METAL CHIP	22	5%	1/10W	R1232	1-218-877-11	METAL CHIP	18K	0.5%	1/10W
R1120	1-216-801-11	METAL CHIP	22	5%	1/10W	R1233	1-218-883-11	METAL CHIP	33K	0.5%	1/10W
R1121	1-216-801-11	METAL CHIP	22	5%	1/10W	R1234	1-216-833-11	METAL CHIP	10K	5%	1/10W
R1123	1-216-864-11	SHORT CHIP	0			R1246	1-216-829-11	METAL CHIP	4.7K	5%	1/10W
R1124	1-216-841-11	METAL CHIP	47K	5%	1/10W	R1247	1-216-821-11	METAL CHIP	1K	5%	1/10W
R1125	1-216-805-11	METAL CHIP	47	5%	1/10W	R1254	1-216-829-11	METAL CHIP	4.7K	5%	1/10W
R1132	1-216-845-11	METAL CHIP	100K	5%	1/10W	R1601	1-216-295-00	SHORT CHIP	0		
R1133	1-216-864-11	SHORT CHIP	0			R1602	1-216-295-00	SHORT CHIP	0		
R1135	1-216-833-11	METAL CHIP	10K	5%	1/10W	R1603	1-216-295-00	SHORT CHIP	0		
R1136	1-216-835-11	METAL CHIP	15K	5%	1/10W	R1604	1-216-295-00	SHORT CHIP	0		
R1138	1-216-809-11	METAL CHIP	100	5%	1/10W	R1605	1-216-296-11	SHORT CHIP	0		
R1139	1-216-864-11	SHORT CHIP	0			R1606	1-216-295-00	SHORT CHIP	0		
R1140	1-216-833-11	METAL CHIP	10K	5%	1/10W	R1701	1-216-809-11	METAL CHIP	100	5%	1/10W
R1141	1-216-855-11	METAL CHIP	680K	5%	1/10W	R1702	1-216-864-11	SHORT CHIP	0		
R1142	1-216-845-11	METAL CHIP	100K	5%	1/10W	R1703	1-216-864-11	SHORT CHIP	0		
R1145	1-216-864-11	SHORT CHIP	0			R1704	1-216-809-11	METAL CHIP	100	5%	1/10W
R1147	1-216-864-11	SHORT CHIP	0			R1705	1-216-833-11	METAL CHIP	10K	5%	1/10W
R1148	1-216-864-11	SHORT CHIP	0			R1706	1-216-864-11	SHORT CHIP	0		
R1151	1-216-833-11	METAL CHIP	10K	5%	1/10W	R1707	1-216-864-11	SHORT CHIP	0		
R1152	1-216-864-11	SHORT CHIP	0			R1712	1-216-809-11	METAL CHIP	100	5%	1/10W
R1153	1-216-864-11	SHORT CHIP	0			R1713	1-218-841-11	METAL CHIP	560	0.5%	1/10W
R1154	1-216-864-11	SHORT CHIP	0			R1714	1-216-864-11	SHORT CHIP	0		
R1155	1-216-864-11	SHORT CHIP	0			R1721	1-216-833-11	METAL CHIP	10K	5%	1/10W
R1156	1-216-809-11	METAL CHIP	100	5%	1/10W	R1722	1-216-833-11	METAL CHIP	10K	5%	1/10W
R1159	1-216-805-11	METAL CHIP	47	5%	1/10W	R1723	1-216-833-11	METAL CHIP	10K	5%	1/10W
R1160	1-216-805-11	METAL CHIP	47	5%	1/10W	R1726	1-216-833-11	METAL CHIP	10K	5%	1/10W
R1161	1-216-805-11	METAL CHIP	47	5%	1/10W	R1727	1-216-833-11	METAL CHIP	10K	5%	1/10W
R1169	1-216-833-11	METAL CHIP	10K	5%	1/10W	R1728	1-216-864-11	SHORT CHIP	0		
R1170	1-216-833-11	METAL CHIP	10K	5%	1/10W	R1730	1-218-840-11	METAL CHIP	510	0.5%	1/10W
R1171	1-216-809-11	METAL CHIP	100	5%	1/10W	R1731	1-216-864-11	SHORT CHIP	0		
R1175	1-216-864-11	SHORT CHIP	0			R1734	1-216-864-11	SHORT CHIP	0		
R1183	1-216-805-11	METAL CHIP	47	5%	1/10W	R1736	1-216-864-11	SHORT CHIP	0		
R1184	1-216-805-11	METAL CHIP	47	5%	1/10W	R1738	1-216-864-11	SHORT CHIP	0		
R1185	1-216-805-11	METAL CHIP	47	5%	1/10W	R1740	1-216-864-11	SHORT CHIP	0		
R1191	1-216-821-11	METAL CHIP	1K	5%	1/10W	R1742	1-216-841-11	METAL CHIP	47K	5%	1/10W
R1193	1-216-821-11	METAL CHIP	1K	5%	1/10W	R1744	1-216-829-11	METAL CHIP	4.7K	5%	1/10W
R1204	1-216-822-11	METAL CHIP	1.2K	5%	1/10W	R1746	1-216-864-11	SHORT CHIP	0		
R1205	1-216-833-11	METAL CHIP	10K	5%	1/10W	R1747	1-216-864-11	SHORT CHIP	0		
R1206	1-216-833-11	METAL CHIP	10K	5%	1/10W	R1748	1-216-864-11	SHORT CHIP	0		
R1207	1-216-826-11	METAL CHIP	2.7K	5%	1/10W	R1749	1-216-824-11	METAL CHIP	1.8K	5%	1/10W
R1208	1-216-839-11	METAL CHIP	33K	5%	1/10W	R1750	1-216-824-11	METAL CHIP	1.8K	5%	1/10W
R1209	1-216-839-11	METAL CHIP	33K	5%	1/10W	R1751	1-216-864-11	SHORT CHIP	0		
R1210	1-216-841-11	METAL CHIP	47K	5%	1/10W	R1752	1-216-864-11	SHORT CHIP	0		
R1212	1-216-833-11	METAL CHIP	10K	5%	1/10W	R1753	1-216-864-11	SHORT CHIP	0		
R1213	1-218-867-11	METAL CHIP	6.8K	0.5%	1/10W	R1756	1-216-864-11	SHORT CHIP	0		
R1214	1-216-835-11	METAL CHIP	15K	5%	1/10W	R1757	1-216-833-11	METAL CHIP	10K	5%	1/10W
R1215	1-216-834-11	METAL CHIP	12K	5%	1/10W	R1758	1-216-833-11	METAL CHIP	10K	5%	1/10W
R1216	1-216-834-11	METAL CHIP	12K	5%	1/10W	R1759	1-216-833-11	METAL CHIP	10K	5%	1/10W
R1219	1-216-838-11	METAL CHIP	27K	5%	1/10W	R1783	1-216-864-11	SHORT CHIP	0		
R1220	1-216-821-11	METAL CHIP	1K	5%	1/10W	R1784	1-216-864-11	SHORT CHIP	0		
R1221	1-218-889-11	METAL CHIP	56K	0.5%	1/10W	R1785	1-216-864-11	SHORT CHIP	0		
R1223	1-218-895-11	METAL CHIP	100K	0.5%	1/10W	R1786	1-216-864-11	SHORT CHIP	0		
R1224	1-216-833-11	METAL CHIP	10K	5%	1/10W	R1788	1-216-864-11	SHORT CHIP	0		
R1225	1-218-895-11	METAL CHIP	100K	0.5%	1/10W	R1791	1-216-864-11	SHORT CHIP	0		
						R1793	1-216-864-11	SHORT CHIP	0		

# HCD-HDX265/HDX266/HDX267W/HDX465/HDX466/HDX665

## MAIN

Ref. No.	Part No.	Description	Remark	Ref. No.	Part No.	Description	Remark
R2101	1-218-855-11	METAL CHIP	2.2K 0.5% 1/10W	R3022	1-216-817-11	METAL CHIP	470 5% 1/10W
R2104	1-216-829-11	METAL CHIP	4.7K 5% 1/10W	R3023	1-216-809-11	METAL CHIP	100 5% 1/10W
R2107	1-216-833-11	METAL CHIP	10K 5% 1/10W	R3024	1-216-809-11	METAL CHIP	100 5% 1/10W
R2110	1-216-826-11	METAL CHIP	2.7K 5% 1/10W	R3026	1-216-809-11	METAL CHIP	100 5% 1/10W
R2113	1-216-833-11	METAL CHIP	10K 5% 1/10W	R3031	1-216-817-11	METAL CHIP	470 5% 1/10W
R2114	1-216-801-11	METAL CHIP	22 5% 1/10W	R3032	1-216-817-11	METAL CHIP	470 5% 1/10W
R2115	1-216-864-11	SHORT CHIP	0	R3033	1-216-833-11	METAL CHIP	10K 5% 1/10W
R2118	1-216-833-11	METAL CHIP	10K 5% 1/10W	R3034	1-216-809-11	METAL CHIP	100 5% 1/10W
R2119	1-216-864-11	SHORT CHIP	0	R3035	1-216-809-11	METAL CHIP	100 5% 1/10W
R2126	1-216-827-11	METAL CHIP	3.3K 5% 1/10W	R3037	1-216-809-11	METAL CHIP	100 5% 1/10W
R2127	1-216-827-11	METAL CHIP	3.3K 5% 1/10W	R3040	1-216-864-11	SHORT CHIP	0
R2128	1-216-833-11	METAL CHIP	10K 5% 1/10W	R3041	1-216-864-11	SHORT CHIP	0
R2129	1-216-845-11	METAL CHIP	100K 5% 1/10W	R3042	1-216-864-11	SHORT CHIP	0
R2133	1-216-864-11	SHORT CHIP	0	R3043	1-216-864-11	SHORT CHIP	0
R2134	1-216-864-11	SHORT CHIP	0	R3044	1-216-864-11	SHORT CHIP	0
R2135	1-216-829-11	METAL CHIP	4.7K 5% 1/10W	R3045	1-216-864-11	SHORT CHIP	0
R2150	1-216-827-11	METAL CHIP	3.3K 5% 1/10W	R3046	1-216-864-11	SHORT CHIP	0
R2151	1-216-827-11	METAL CHIP	3.3K 5% 1/10W	R3050	1-216-864-11	SHORT CHIP	0
R2152	1-216-827-11	METAL CHIP	3.3K 5% 1/10W	R3051	1-216-097-11	RES-CHIP	100K 5% 1/10W
R2161	1-216-809-11	METAL CHIP	100 5% 1/10W	R3052	1-216-857-11	METAL CHIP	1M 5% 1/10W
R2167	1-216-864-11	SHORT CHIP	0	R3053	1-216-809-11	METAL CHIP	100 5% 1/10W
R2168	1-216-813-11	METAL CHIP	220 5% 1/10W	R3054	1-216-801-11	METAL CHIP	22 5% 1/10W
R2169	1-216-809-11	METAL CHIP	100 5% 1/10W	R3055	1-216-809-11	METAL CHIP	100 5% 1/10W
R2176	1-216-864-11	SHORT CHIP	0	R3057	1-216-809-11	METAL CHIP	100 5% 1/10W
R2177	1-216-809-11	METAL CHIP	100 5% 1/10W	R3059	1-216-833-11	METAL CHIP	10K 5% 1/10W
R2178	1-216-821-11	METAL CHIP	1K 5% 1/10W	R3060	1-216-833-11	METAL CHIP	10K 5% 1/10W
R2179	1-216-809-11	METAL CHIP	100 5% 1/10W	R3061	1-216-864-11	SHORT CHIP	0
R2183	1-216-809-11	METAL CHIP	100 5% 1/10W	R3062	1-216-809-11	METAL CHIP	100 5% 1/10W
R2184	1-216-809-11	METAL CHIP	100 5% 1/10W	R3063	1-216-821-11	METAL CHIP	1K 5% 1/10W
R2185	1-216-809-11	METAL CHIP	100 5% 1/10W	R3064	1-216-821-11	METAL CHIP	1K 5% 1/10W
R2186	1-216-864-11	SHORT CHIP	0	R3065	1-216-809-11	METAL CHIP	100 5% 1/10W
R2187	1-216-805-11	METAL CHIP	47 5% 1/10W	R3066	1-216-809-11	METAL CHIP	100 5% 1/10W
R2191	1-216-809-11	METAL CHIP	100 5% 1/10W	R3067	1-216-809-11	METAL CHIP	100 5% 1/10W
R2505	1-216-864-11	SHORT CHIP	0	R3068	1-216-809-11	METAL CHIP	100 5% 1/10W
R2705	1-216-821-11	METAL CHIP	1K 5% 1/10W	R3069	1-216-809-11	METAL CHIP	100 5% 1/10W
R2706	1-216-821-11	METAL CHIP	1K 5% 1/10W	R3070	1-216-809-11	METAL CHIP	100 5% 1/10W
R2711	1-208-635-11	METAL CHIP	10 0.5% 1/16W	R3071	1-216-809-11	METAL CHIP	100 5% 1/10W
R2712	1-208-635-11	METAL CHIP	10 0.5% 1/16W	R3072	1-216-809-11	METAL CHIP	100 5% 1/10W
R2713	1-208-635-11	METAL CHIP	10 0.5% 1/16W	R3073	1-216-809-11	METAL CHIP	100 5% 1/10W
R2714	1-208-635-11	METAL CHIP	10 0.5% 1/16W	R3074	1-216-809-11	METAL CHIP	100 5% 1/10W
R2715	1-208-635-11	METAL CHIP	10 0.5% 1/16W	R3075	1-216-809-11	METAL CHIP	100 5% 1/10W
R2716	1-208-635-11	METAL CHIP	10 0.5% 1/16W	R3076	1-216-809-11	METAL CHIP	100 5% 1/10W
R2717	1-208-635-11	METAL CHIP	10 0.5% 1/16W	R3077	1-216-809-11	METAL CHIP	100 5% 1/10W
R2718	1-208-635-11	METAL CHIP	10 0.5% 1/16W	R3078	1-216-809-11	METAL CHIP	100 5% 1/10W
R2751	1-216-833-11	METAL CHIP	10K 5% 1/10W	R3079	1-216-809-11	METAL CHIP	100 5% 1/10W
R3001	1-216-833-11	METAL CHIP	10K 5% 1/10W	R3080	1-216-845-11	METAL CHIP	100K 5% 1/10W
R3002	1-216-833-11	METAL CHIP	10K 5% 1/10W	R3085	1-216-839-11	METAL CHIP	33K 5% 1/10W
R3003	1-216-823-11	METAL CHIP	1.5K 5% 1/10W	R3086	1-216-839-11	METAL CHIP	33K 5% 1/10W
R3004	1-216-822-11	METAL CHIP	1.2K 5% 1/10W	R3087	1-216-833-11	METAL CHIP	10K 5% 1/10W
R3006	1-216-825-11	METAL CHIP	2.2K 5% 1/10W	R3088	1-216-833-11	METAL CHIP	10K 5% 1/10W
R3011	1-216-817-11	METAL CHIP	470 5% 1/10W	R3089	1-216-833-11	METAL CHIP	10K 5% 1/10W
R3012	1-216-817-11	METAL CHIP	470 5% 1/10W	R3090	1-216-833-11	METAL CHIP	10K 5% 1/10W
R3013	1-216-833-11	METAL CHIP	10K 5% 1/10W	R3091	1-216-837-11	METAL CHIP	22K 5% 1/10W
R3014	1-216-809-11	METAL CHIP	100 5% 1/10W	R3092	1-216-837-11	METAL CHIP	22K 5% 1/10W
R3015	1-216-809-11	METAL CHIP	100 5% 1/10W	R3093	1-216-837-11	METAL CHIP	22K 5% 1/10W
R3017	1-216-809-11	METAL CHIP	100 5% 1/10W	R3094	1-216-837-11	METAL CHIP	22K 5% 1/10W
R3021	1-216-817-11	METAL CHIP	470 5% 1/10W	R3095	1-216-827-11	METAL CHIP	3.3K 5% 1/10W
				R3096	1-216-829-11	METAL CHIP	4.7K 5% 1/10W

HCD-HDX265/HDX266/HDX267W/HDX465/HDX466/HDX665

MAIN

Ref. No.	Part No.	Description	Quantity	Percentage	Remark	Ref. No.	Part No.	Description	Quantity	Percentage	Remark
R3097	1-216-809-11	METAL CHIP	100	5%	1/10W	R3404	1-216-864-11	SHORT CHIP	0		
R3098	1-216-839-11	METAL CHIP	33K	5%	1/10W	R3407	1-216-835-11	METAL CHIP	15K	5%	1/10W
R3099	1-216-839-11	METAL CHIP	33K	5%	1/10W	R3415	1-216-864-11	SHORT CHIP	0		
R3101	1-216-809-11	METAL CHIP	100	5%	1/10W	R3416	1-216-864-11	SHORT CHIP	0		
R3102	1-216-809-11	METAL CHIP	100	5%	1/10W	R3425	1-216-845-11	METAL CHIP	100K	5%	1/10W
R3103	1-216-864-11	SHORT CHIP	0			R3426	1-216-845-11	METAL CHIP	100K	5%	1/10W
R3104	1-216-864-11	SHORT CHIP	0			R3427	1-216-845-11	METAL CHIP	100K	5%	1/10W
R3107	1-216-835-11	METAL CHIP	15K	5%	1/10W	R3501	1-216-809-11	METAL CHIP	100	5%	1/10W
R3115	1-216-864-11	SHORT CHIP	0			R3502	1-216-809-11	METAL CHIP	100	5%	1/10W
R3116	1-216-864-11	SHORT CHIP	0			R3503	1-216-864-11	SHORT CHIP	0		(EXCEPT HDX266)
R3125	1-216-845-11	METAL CHIP	100K	5%	1/10W	R3504	1-216-864-11	SHORT CHIP	0		(EXCEPT HDX266)
R3126	1-216-845-11	METAL CHIP	100K	5%	1/10W	R3507	1-216-835-11	METAL CHIP	15K	5%	1/10W (EXCEPT HDX266)
R3127	1-216-845-11	METAL CHIP	100K	5%	1/10W	R3515	1-216-864-11	SHORT CHIP	0		(EXCEPT HDX266)
R3151	1-216-809-11	METAL CHIP	100	5%	1/10W	R3516	1-216-864-11	SHORT CHIP	0		(EXCEPT HDX266)
R3152	1-216-809-11	METAL CHIP	100	5%	1/10W	R3551	1-216-845-11	METAL CHIP	100K	5%	1/10W
R3153	1-216-864-11	SHORT CHIP	0			R3552	1-216-837-11	METAL CHIP	22K	5%	1/10W
R3154	1-216-864-11	SHORT CHIP	0			R3553	1-216-833-11	METAL CHIP	10K	5%	1/10W
R3157	1-216-835-11	METAL CHIP	15K	5%	1/10W	R3554	1-216-845-11	METAL CHIP	100K	5%	1/10W
R3165	1-216-864-11	SHORT CHIP	0			R3555	1-216-864-11	SHORT CHIP	0		
R3166	1-216-864-11	SHORT CHIP	0			R3556	1-216-829-11	METAL CHIP	4.7K	5%	1/10W
R3175	1-216-845-11	METAL CHIP	100K	5%	1/10W	R3557	1-216-845-11	METAL CHIP	100K	5%	1/10W
R3176	1-216-845-11	METAL CHIP	100K	5%	1/10W	R3558	1-216-833-11	METAL CHIP	10K	5%	1/10W
R3177	1-216-845-11	METAL CHIP	100K	5%	1/10W	R3901	1-216-296-11	SHORT CHIP	0		
R3201	1-216-809-11	METAL CHIP	100	5%	1/10W	R3902	1-216-296-11	SHORT CHIP	0		
R3202	1-216-809-11	METAL CHIP	100	5%	1/10W	R3905	1-216-296-11	SHORT CHIP	0		
R3203	1-216-864-11	SHORT CHIP	0			R3906	1-216-296-11	SHORT CHIP	0		
R3204	1-216-864-11	SHORT CHIP	0			R3907	1-216-864-11	SHORT CHIP	0		
R3207	1-216-835-11	METAL CHIP	15K	5%	1/10W	R3911	1-216-864-11	SHORT CHIP	0		
R3215	1-216-864-11	SHORT CHIP	0			R3912	1-216-864-11	SHORT CHIP	0		
R3216	1-216-864-11	SHORT CHIP	0			R3913	1-216-864-11	SHORT CHIP	0		
R3225	1-216-845-11	METAL CHIP	100K	5%	1/10W	R3914	1-216-864-11	SHORT CHIP	0		
R3226	1-216-845-11	METAL CHIP	100K	5%	1/10W	R3917	1-216-864-11	SHORT CHIP	0		
R3227	1-216-845-11	METAL CHIP	100K	5%	1/10W	R3918	1-216-864-11	SHORT CHIP	0		
R3251	1-216-809-11	METAL CHIP	100	5%	1/10W	R3919	1-216-864-11	SHORT CHIP	0		
R3252	1-216-809-11	METAL CHIP	100	5%	1/10W	R3920	1-216-864-11	SHORT CHIP	0		(EXCEPT HDX266)
R3253	1-216-864-11	SHORT CHIP	0			R3921	1-216-864-11	SHORT CHIP	0		(EXCEPT HDX266)
R3254	1-216-864-11	SHORT CHIP	0			R4002	1-216-864-11	SHORT CHIP	0		
R3257	1-216-835-11	METAL CHIP	15K	5%	1/10W	R4501	1-216-801-11	METAL CHIP	22	5%	1/10W
R3265	1-216-864-11	SHORT CHIP	0			R4502	1-216-801-11	METAL CHIP	22	5%	1/10W
R3266	1-216-864-11	SHORT CHIP	0			R4510	1-216-805-11	METAL CHIP	47	5%	1/10W
R3275	1-216-845-11	METAL CHIP	100K	5%	1/10W	R4511	1-216-805-11	METAL CHIP	47	5%	1/10W
R3276	1-216-845-11	METAL CHIP	100K	5%	1/10W	R4512	1-216-864-11	SHORT CHIP	0		
R3277	1-216-845-11	METAL CHIP	100K	5%	1/10W	R4514	1-216-805-11	METAL CHIP	47	5%	1/10W
R3301	1-216-809-11	METAL CHIP	100	5%	1/10W	R4515	1-216-805-11	METAL CHIP	47	5%	1/10W
R3302	1-216-809-11	METAL CHIP	100	5%	1/10W	R4516	1-216-805-11	METAL CHIP	47	5%	1/10W
R3303	1-216-864-11	SHORT CHIP	0			R4517	1-216-864-11	SHORT CHIP	0		
R3304	1-216-864-11	SHORT CHIP	0			R4519	1-216-864-11	SHORT CHIP	0		
R3307	1-216-835-11	METAL CHIP	15K	5%	1/10W	R4521	1-216-864-11	SHORT CHIP	0		
R3315	1-216-864-11	SHORT CHIP	0			R4701	1-216-864-11	SHORT CHIP	0		
R3316	1-216-864-11	SHORT CHIP	0			R4702	1-216-864-11	SHORT CHIP	0		
R3325	1-216-845-11	METAL CHIP	100K	5%	1/10W	R4703	1-216-864-11	SHORT CHIP	0		
R3326	1-216-845-11	METAL CHIP	100K	5%	1/10W	R4704	1-216-864-11	SHORT CHIP	0		
R3327	1-216-845-11	METAL CHIP	100K	5%	1/10W	R4705	1-216-864-11	SHORT CHIP	0		
R3401	1-216-809-11	METAL CHIP	100	5%	1/10W (EXCEPT HDX266)	R4706	1-216-864-11	SHORT CHIP	0		
R3402	1-216-809-11	METAL CHIP	100	5%	1/10W (EXCEPT HDX266)	R4717	1-216-864-11	SHORT CHIP	0		
R3403	1-216-864-11	SHORT CHIP	0			R4718	1-216-864-11	SHORT CHIP	0		

# HCD-HDX265/HDX266/HDX267W/HDX465/HDX466/HDX665

**MAIN**   **MOTOR**   **POWER**

Ref. No.	Part No.	Description	Remark
R4805	1-216-801-11	METAL CHIP	22 5% 1/10W
R9918	1-216-821-11	METAL CHIP	1K 5% 1/10W
R9920	1-216-864-11	SHORT CHIP	0
R9922	1-216-833-11	METAL CHIP	10K 5% 1/10W
R9924	1-216-821-11	METAL CHIP	1K 5% 1/10W
R9928	1-216-837-11	METAL CHIP	22K 5% 1/10W
R9929	1-216-837-11	METAL CHIP	22K 5% 1/10W
R9934	1-216-833-11	METAL CHIP	10K 5% 1/10W
R9935	1-216-864-11	SHORT CHIP	0
R9941	1-216-838-11	METAL CHIP	27K 5% 1/10W
R9945	1-216-813-11	METAL CHIP	220 5% 1/10W
< COMPOSITION CIRCUIT BLOCK >			
RB1103	1-234-371-21	RES, NETWORK	47 (1005X4)
RB1104	1-234-371-21	RES, NETWORK	47 (1005X4)
RB1105	1-234-371-21	RES, NETWORK	47 (1005X4)
RB1106	1-234-371-21	RES, NETWORK	47 (1005X4)
RB1107	1-234-371-21	RES, NETWORK	47 (1005X4)
RB1108	1-234-371-21	RES, NETWORK	47 (1005X4)
RB1109	1-234-400-21	CONDUCTOR, NETWORK	(1005X4)
RB1110	1-234-400-21	CONDUCTOR, NETWORK	(1005X4)
RB1111	1-234-371-21	RES, NETWORK	47 (1005X4)
RB1112	1-234-400-21	CONDUCTOR, NETWORK	(1005X4)
RB1113	1-234-400-21	CONDUCTOR, NETWORK	(1005X4)
RB1114	1-234-371-21	RES, NETWORK	47 (1005X4)
RB1115	1-234-371-21	RES, NETWORK	47 (1005X4)
RB1116	1-234-371-21	RES, NETWORK	47 (1005X4)
RB1117	1-234-371-21	RES, NETWORK	47 (1005X4)
RB1701	1-234-378-21	RES, NETWORK	10K (1005X4)
RB1702	1-234-378-21	RES, NETWORK	10K (1005X4)
RB1711	1-234-400-21	CONDUCTOR, NETWORK	(1005X4)
RB1712	1-234-400-21	CONDUCTOR, NETWORK	(1005X4)
< TERMINAL >			
TB3901	1-780-453-11	TERMINAL BOARD (SPEAKER) 2P (SPEAKER)	
< VIBRATOR >			
X501	1-795-058-21	VIBRATOR, CERAMIC (5MHz)	
X1101	1-795-630-11	VIBRATOR, CRYSTAL (27MHz)	
X3051	1-795-660-21	QUARTZ CRYSTAL UNIT (49.152MHz)	
*****			
MOTOR BOARD			
*****			
< SWITCH >			
S761	1-786-704-11	SWITCH, LEVER (SUB TRAY OUT)	
*****			
A-1221-008-A	POWER BOARD, COMPLETE (HDX265: US/ HDX266/HDX267W/HDX465/HDX466/HDX665)		
A-1221-034-A	POWER BOARD, COMPLETE (HDX265: E, AUS)		
*****			
7-685-647-79	SCREW +BVTP 3X10 TYPE2 TT (B)		
< CAPACITOR >			
△ C901	1-165-529-11	MYLAR	0.22uF 10 275V
△ C902	1-165-529-11	MYLAR	0.22uF 10 275V

Ref. No.	Part No.	Description	Remark
△ C903	1-112-330-11	ELECT (BLOCK)	1000uF 20% 200V (EXCEPT HDX265: E, AUS)
△ C903	1-112-333-11	ELECT (BLOCK)	330uF 20% 450V (HDX265: E, AUS)
△ C905	1-112-334-91	FILM	0.01uF 5% 400V (EXCEPT HDX265: E, AUS)
△ C905	1-112-335-91	FILM	0.0033uF 5% 400V (HDX265: E, AUS)
△ C906	1-117-815-11	FILM	1000PF 3% 1.5KV (HDX265: E, AUS)
△ C907	1-162-964-11	CERAMIC CHIP	0.001uF 10% 50V (HDX265: E, AUS)
△ C907	1-162-965-11	CERAMIC CHIP	0.0015uF 10% 50V (EXCEPT HDX265: E, AUS)
△ C908	1-107-909-11	ELECT	47uF 20% 50V
△ C909	1-162-960-11	CERAMIC CHIP	220PF 10% 50V
△ C910	1-107-906-11	ELECT	10uF 20% 50V (EXCEPT HDX265: E, AUS)
△ C910	1-107-907-11	ELECT	22uF 20% 50V (HDX265: E, AUS)
△ C911	1-162-968-11	CERAMIC CHIP	0.0047uF 10% 50V
△ C913	1-117-693-11	CERAMIC	100PF 10% 250V
△ C918	1-113-925-11	CERAMIC	0.01uF 20% 250V
△ C920	1-113-925-11	CERAMIC	0.01uF 20% 250V
△ C922	1-128-560-11	ELECT	22uF 20% 100V
△ C923	1-162-968-11	CERAMIC CHIP	0.0047uF 10% 50V
△ C924	1-126-961-11	ELECT	2.2uF 20% 50V
△ C925	1-107-974-11	CERAMIC	47PF 5% 2KV
△ C928	1-113-896-11	CERAMIC	220PF 10% 250V (EXCEPT HDX265: E, AUS)
△ C929	1-115-339-11	CERAMIC CHIP	0.1uF 10% 50V
△ C930	1-117-693-11	CERAMIC	100PF 10% 250V
C932	1-100-924-21	ELECT	2200uF 20% 35V
C933	1-100-924-21	ELECT	2200uF 20% 35V
C934	1-112-831-11	ELECT	2200uF 20% 35V
C935	1-163-021-11	CERAMIC CHIP	0.01uF 10% 50V
C936	1-163-021-11	CERAMIC CHIP	0.01uF 10% 50V
C937	1-100-756-91	CERAMIC CHIP	0.047uF 50V
△ C938	1-113-898-11	CERAMIC	330PF 10% 250V (EXCEPT HDX265: E, AUS)
△ C938	1-113-900-11	CERAMIC	470PF 10% 250V (HDX265: E, AUS)
C939	1-136-165-00	FILM	0.1uF 5% 50V
C940	1-128-947-31	ELECT	3300uF 20% 10V
C941	1-128-954-11	ELECT	1000uF 20% 25V
C942	1-126-941-11	ELECT	470uF 20% 25V
C943	1-126-933-11	ELECT	100uF 20% 16V
C944	1-128-951-21	ELECT	2200uF 20% 16V
C945	1-126-935-11	ELECT	470uF 20% 16V
C946	1-128-950-21	ELECT	1000uF 20% 16V
C947	1-104-665-11	ELECT	100uF 20% 25V
C948	1-126-935-11	ELECT	470uF 20% 16V
C949	1-104-665-11	ELECT	100uF 20% 25V
C951	1-100-566-91	CERAMIC CHIP	0.1uF 10% 25V
C952	1-100-756-91	CERAMIC CHIP	0.047uF 50V
C953	1-117-214-11	CERAMIC	0.001uF 10% 2KV
C954	1-100-566-91	CERAMIC CHIP	0.1uF 10% 25V
C955	1-162-970-11	CERAMIC CHIP	0.01uF 10% 25V
C958	1-162-970-11	CERAMIC CHIP	0.01uF 10% 25V
C960	1-162-970-11	CERAMIC CHIP	0.01uF 10% 25V



HCD-HDX265/HDX266/HDX267W/HDX465/HDX466/HDX665

POWER

Ref. No.	Part No.	Description	Remark			Ref. No.	Part No.	Description	Remark		
C961	1-100-566-91	CERAMIC CHIP	0.1uF	10%	25V			< IC >			
△C963	1-113-900-11	CERAMIC	470PF	10%	250V (HDX265: E, AUS)	△IC901	6-707-741-01	IC STR-F6138-LF1352			(EXCEPT HDX265: E, AUS)
△C963	1-113-907-51	CERAMIC	0.0022uF	20%	250V (EXCEPT HDX265: E, AUS)	△IC901	6-707-742-01	IC STR-F6168-LF1352			(HDX265: E, AUS)
△C964	1-113-900-11	CERAMIC	470PF	10%	250V (HDX265: E, AUS)	△IC921	6-707-740-01	IC STR-V153			
△C964	1-113-907-51	CERAMIC	0.0022uF	20%	250V (EXCEPT HDX265: E, AUS)	IC931	8-759-648-34	IC TA76431AS (TPE6)			
						IC941	6-705-308-01	IC SI-3010KM-TL			
C967	1-100-566-91	CERAMIC CHIP	0.1uF	10%	25V	IC942	6-705-308-01	IC SI-3010KM-TL			
C968	1-162-970-11	CERAMIC CHIP	0.01uF	10%	25V	IC943	6-705-308-01	IC SI-3010KM-TL			
C969	1-162-970-11	CERAMIC CHIP	0.01uF	10%	25V	IC951	6-707-743-01	IC TA76L431S (TPE6, Q)			
C970	1-162-970-11	CERAMIC CHIP	0.01uF	10%	25V			< COIL >			
C971	1-162-970-11	CERAMIC CHIP	0.01uF	10%	25V	L931	1-457-438-11	INDUCTOR	5.6uH		
C976	1-126-933-11	ELECT	100uF	20%	16V	L941	1-414-398-11	INDUCTOR	10uH		
△C980	1-117-828-11	FILM	3300PF	3%	1.5KV (EXCEPT HDX265: E, AUS)	L942	1-414-398-11	INDUCTOR	10uH		
C981	1-100-566-91	CERAMIC CHIP	0.1uF	10%	25V	L943	1-414-398-11	INDUCTOR	10uH		
		< CONNECTOR >				L944	1-414-398-11	INDUCTOR	10uH		
CN901	1-564-321-00	PIN, CONNECTOR (3.96mm PITCH) 2P				L945	1-414-398-11	INDUCTOR	10uH		
CN903	1-564-505-11	PLUG, CONNECTOR 2P				L947	1-414-398-11	INDUCTOR	10uH		
* CN906	1-564-714-11	PIN, CONNECTOR (SMALL TYPE) 12P				L948	1-414-398-11	INDUCTOR	10uH		
CN907	1-564-705-11	PIN, CONNECTOR (SMALL TYPE) 3P				L951	1-414-398-11	INDUCTOR	10uH		
		< DIODE >				L952	1-414-398-11	INDUCTOR	10uH		
△D901	8-719-082-57	DIODE D5SBA60F01						< LINE FILTER >			
△D905	8-719-063-74	DIODE D1NL20U-TR2				△LF901	1-457-054-21	COIL, LINE FILTER			
△D906	6-501-193-01	DIODE 1SS355WTE-17				△LF902	1-457-054-21	COIL, LINE FILTER			
△D907	6-501-193-01	DIODE 1SS355WTE-17						< PHOTO COUPLER >			
△D908	6-501-193-01	DIODE 1SS355WTE-17				△PC901	6-600-438-01	PHOTO COUPLER TLP421F (D4-GR)			
△D909	6-501-193-01	DIODE 1SS355WTE-17				△PC902	6-600-438-01	PHOTO COUPLER TLP421F (D4-GR)			
△D910	6-501-193-01	DIODE 1SS355WTE-17				△PC903	6-600-438-01	PHOTO COUPLER TLP421F (D4-GR)			
△D913	6-500-241-01	DIODE SARS03						< TRANSISTOR >			
△D914	6-501-193-01	DIODE 1SS355WTE-17				△Q901	8-729-140-04	TRANSISTOR	2SB1116A-L		
△D915	6-501-174-01	DIODE UDZW-TE17-10B				△Q921	8-729-142-51	TRANSISTOR	2SD1616A-TP-LK		
△D921	6-501-424-01	DIODE STO2D-140				Q943	1-801-806-11	TRANSISTOR	RT1N441C-TP-1		
△D922	8-719-063-74	DIODE D1NL20U-TR2				Q945	6-550-718-01	FET	RSR025N03TL		
△D923	6-501-174-01	DIODE UDZW-TE17-10B				Q947	1-801-806-11	TRANSISTOR	RT1N441C-TP-1		
△D924	6-501-183-01	DIODE UDZW-TE17-24B						< RESISTOR >			
△D925	6-501-167-01	DIODE UDZW-TE17-5.1B				△R901	1-219-759-11	METAL	1M	5%	1/2W F
△D926	6-501-174-01	DIODE UDZW-TE17-10B				△R903	1-215-926-00	METAL OXIDE	33K	5%	3W F
D931	6-501-849-01	DIODE FMX-22SL						(EXCEPT HDX265: E, AUS)			
D932	6-501-167-01	DIODE UDZW-TE17-5.1B				△R903	1-215-929-11	METAL OXIDE	100K	5%	3W F
D941	6-500-288-11	DIODE EK19LF-F7						(HDX265: E, AUS)			
D942	8-719-080-53	DIODE RK36LF-B3				△R904	1-215-926-00	METAL OXIDE	33K	5%	3W F
								(EXCEPT HDX265: E, AUS)			
D943	8-719-080-53	DIODE RK36LF-B3				△R904	1-215-929-11	METAL OXIDE	100K	5%	3W F
D944	6-500-288-11	DIODE EK19LF-F7						(HDX265: E, AUS)			
D945	6-501-181-01	DIODE UDZW-TE17-20B				△R905	1-216-797-11	METAL CHIP	10	5%	1/10W
		< FUSE HOLDER >				△R906	1-216-827-11	METAL CHIP	3.3K	5%	1/10W
FH901	1-533-217-41	HOLDER, FUSE				△R907	1-216-833-11	METAL CHIP	10K	5%	1/10W
FH902	1-533-217-41	HOLDER, FUSE				△R908	1-260-105-11	CARBON	3.3K	5%	1/2W
		< FUSIBLE >				△R909	1-216-845-11	METAL CHIP	100K	5%	1/10W
△FR901	1-242-949-11	FUSIBLE	0.1	10%	1W (HDX265: E, AUS)	△R910	1-216-825-11	METAL CHIP	2.2K	5%	1/10W
						△R911	1-216-813-11	METAL CHIP	220	5%	1/10W
						△R912	1-216-361-61	METAL OXIDE	0.22	5%	2W F
								(EXCEPT HDX265: E, AUS)			



# HCD-HDX265/HDX266/HDX267W/HDX465/HDX466/HDX665

**POWER**   **PW-SW**   **RELAY**

Ref. No.	Part No.	Description	Remark
△ R912	1-216-363-00	METAL OXIDE	0.33 5% 2W F (HDX265: E, AUS)
△ R913	1-216-361-61	METAL OXIDE	0.22 5% 2W F (EXCEPT HDX265: E, AUS)
△ R914	1-219-718-11	METAL	0.1 10% 5W F (HDX265: E, AUS)
△ R914	1-243-669-11	METAL	0.05 5% 5W F (EXCEPT HDX265: E, AUS)
△ R919	1-216-836-11	METAL CHIP	18K 5% 1/10W
△ R922	1-216-793-11	METAL CHIP	4.7 5% 1/10W
△ R923	1-216-829-11	METAL CHIP	4.7K 5% 1/10W
△ R925	1-216-797-11	METAL CHIP	10 5% 1/10W
△ R926	1-216-855-11	METAL CHIP	680K 5% 1/10W
△ R927	1-216-348-00	METAL OXIDE	0.82 5% 1W F (EXCEPT HDX265: E, AUS)
△ R927	1-216-349-00	METAL OXIDE	1 5% 1W F (HDX265: E, AUS)
△ R929	1-246-106-11	METAL OXIDE	2.2 5% 1/2W F
R931	1-218-859-11	METAL CHIP	3.3K 0.5% 1/10W
R932	1-218-883-11	METAL CHIP	33K 0.5% 1/10W
R933	1-216-829-11	METAL CHIP	4.7K 5% 1/10W
R934	1-216-821-11	METAL CHIP	1K 5% 1/10W
R935	1-216-821-11	METAL CHIP	1K 5% 1/10W
R936	1-216-853-11	METAL CHIP	470K 5% 1/10W
R937	1-216-833-11	METAL CHIP	10K 5% 1/10W
R938	1-216-821-11	METAL CHIP	1K 5% 1/10W
R939	1-218-859-11	METAL CHIP	3.3K 0.5% 1/10W
R940	1-216-833-11	METAL CHIP	10K 5% 1/10W
R941	1-216-845-11	METAL CHIP	100K 5% 1/10W
R942	1-216-833-11	METAL CHIP	10K 5% 1/10W
R943	1-216-839-11	METAL CHIP	33K 5% 1/10W
R945	1-216-833-11	METAL CHIP	10K 5% 1/10W
R946	1-216-837-11	METAL CHIP	22K 5% 1/10W
R948	1-216-833-11	METAL CHIP	10K 5% 1/10W
R949	1-216-821-11	METAL CHIP	1K 5% 1/10W
R951	1-218-831-11	METAL CHIP	220 0.5% 1/10W
R952	1-218-855-11	METAL CHIP	2.2K 0.5% 1/10W
R953	1-218-861-11	METAL CHIP	3.9K 0.5% 1/10W
R954	1-216-837-11	METAL CHIP	22K 5% 1/10W
R955	1-216-817-11	METAL CHIP	470 5% 1/10W
R956	1-216-821-11	METAL CHIP	1K 5% 1/10W
R957	1-216-841-11	METAL CHIP	47K 5% 1/10W
R958	1-216-821-11	METAL CHIP	1K 5% 1/10W
R960	1-216-823-11	METAL CHIP	1.5K 5% 1/10W
R962	1-218-867-11	METAL CHIP	6.8K 0.5% 1/10W
R965	1-218-865-11	METAL CHIP	5.6K 0.5% 1/10W
R966	1-216-821-11	METAL CHIP	1K 5% 1/10W
R967	1-216-821-11	METAL CHIP	1K 5% 1/10W
R968	1-216-821-11	METAL CHIP	1K 5% 1/10W
△ R969	1-216-821-11	METAL CHIP	1K 5% 1/10W
R971	1-216-864-11	SHORT CHIP	0
R972	1-216-833-11	METAL CHIP	10K 5% 1/10W
R974	1-216-827-11	METAL CHIP	3.3K 5% 1/10W
R979	1-216-864-11	SHORT CHIP	0
< TRANSFORMER >			
△ T901	1-443-649-11	TRANSFORMER, CONVERTER	(EXCEPT HDX265: E, AUS)

Ref. No.	Part No.	Description	Remark
△ T901	1-443-874-11	TRANSFORMER, CONVERTER	(HDX265: E, AUS)
△ T902	1-443-650-11	TRANSFORMER, CONVERTER	< THERMISTOR >
△ TH901	1-805-841-21	THERMISTOR, NTC 3.0	(EXCEPT HDX265: E, AUS)
△ TH901	1-805-842-21	THERMISTOR, NTC 6.0	(HDX265: E, AUS)
< VARISTOR >			
△ VDR901	1-805-482-11	VARISTOR	*****
PW-SW BOARD			
*****			
< SWITCH >			
S920	1-771-349-41	SWITCH, KEYBOARD (I/Ⓞ)	*****
*****			
A-4750-232-A	RELAY BOARD, COMPLETE	(including ENCODER board)	*****
*****			
< CAPACITOR >			
C701	1-126-786-11	ELECT	47uF 20% 16V
C702	1-126-791-11	ELECT	10uF 20% 35V
C761	1-162-306-11	CERAMIC	0.01uF 20% 16V
C762	1-162-306-11	CERAMIC	0.01uF 20% 16V
< CONNECTOR >			
CN701	1-779-558-11	CONNECTOR, FFC (LIF (NON-ZIF)) 21P	
< DIODE >			
D701	8-719-921-40	DIODE MTZJ-4.7C	
D711	8-719-982-10	DIODE MTZJ-4.3A	
< IC >			
IC701	8-759-598-69	IC BA6956AN	
IC711	8-759-598-69	IC BA6956AN	
< TRANSISTOR >			
Q751	8-729-119-78	TRANSISTOR	2SC2785-HFE
< RESISTOR >			
R701	1-249-415-11	CARBON	680 5% 1/4W
R702	1-247-807-31	CARBON	100 5% 1/4W
R711	1-249-415-11	CARBON	680 5% 1/4W
R712	1-247-807-31	CARBON	100 5% 1/4W
R751	1-247-806-11	CARBON	91 5% 1/4W
R752	1-249-429-11	CARBON	10K 5% 1/4W
R753	1-249-429-11	CARBON	10K 5% 1/4W
R754	1-249-430-11	CARBON	12K 5% 1/4W
R755	1-249-429-11	CARBON	10K 5% 1/4W
*****			

Ref. No.	Part No.	Description	Remark
		SENSOR BOARD *****	
		< IC >	
IC751	8-759-989-76	IC RPR-359F	
*****			
		SIRIPARA BOARD *****	
		< CAPACITOR >	
C621	1-107-826-11	CERAMIC CHIP 0.1uF 10% 16V	
C622	1-107-826-11	CERAMIC CHIP 0.1uF 10% 16V	
C623	1-162-964-11	CERAMIC CHIP 0.001uF 10% 50V	
C624	1-107-826-11	CERAMIC CHIP 0.1uF 10% 16V	
C625	1-107-826-11	CERAMIC CHIP 0.1uF 10% 16V	
C628	1-126-933-11	ELECT 100uF 20% 16V	
C629	1-124-584-00	ELECT 100uF 20% 6.3V	
		< CONNECTOR >	
CN625	1-774-743-41	CONNECTOR, BOARD TO BOARD 18P	
CN626	1-779-558-11	CONNECTOR, FFC (LIF (NON-ZIF)) 21P	
		< IC >	
IC621	6-707-095-01	IC BH2210FV-E2	
IC622	6-707-095-01	IC BH2210FV-E2	
		< RESISTOR >	
R621	1-216-809-11	METAL CHIP 100 5% 1/10W	
R622	1-216-833-11	METAL CHIP 10K 5% 1/10W	
R623	1-216-809-11	METAL CHIP 100 5% 1/10W	
R628	1-216-809-11	METAL CHIP 100 5% 1/10W	
R629	1-216-813-11	METAL CHIP 220 5% 1/10W	
R630	1-216-813-11	METAL CHIP 220 5% 1/10W	
R631	1-216-813-11	METAL CHIP 220 5% 1/10W	
R632	1-216-809-11	METAL CHIP 100 5% 1/10W	
R633	1-216-809-11	METAL CHIP 100 5% 1/10W	
R634	1-216-813-11	METAL CHIP 220 5% 1/10W	
R635	1-216-833-11	METAL CHIP 10K 5% 1/10W	
R638	1-216-809-11	METAL CHIP 100 5% 1/10W	
R639	1-216-809-11	METAL CHIP 100 5% 1/10W	
R640	1-216-809-11	METAL CHIP 100 5% 1/10W	
R641	1-216-809-11	METAL CHIP 100 5% 1/10W	
R642	1-216-809-11	METAL CHIP 100 5% 1/10W	
R643	1-216-809-11	METAL CHIP 100 5% 1/10W	
R644	1-216-809-11	METAL CHIP 100 5% 1/10W	
R645	1-216-809-11	METAL CHIP 100 5% 1/10W	
R646	1-216-809-11	METAL CHIP 100 5% 1/10W	
R647	1-216-809-11	METAL CHIP 100 5% 1/10W	
R648	1-216-809-11	METAL CHIP 100 5% 1/10W	
R649	1-216-809-11	METAL CHIP 100 5% 1/10W	
R650	1-216-809-11	METAL CHIP 100 5% 1/10W	
R651	1-216-809-11	METAL CHIP 100 5% 1/10W	
R652	1-216-809-11	METAL CHIP 100 5% 1/10W	
R653	1-216-809-11	METAL CHIP 100 5% 1/10W	
R654	1-216-809-11	METAL CHIP 100 5% 1/10W	
R655	1-216-809-11	METAL CHIP 100 5% 1/10W	
R656	1-216-809-11	METAL CHIP 100 5% 1/10W	

Ref. No.	Part No.	Description	Remark
R657	1-216-809-11	METAL CHIP 100 5% 1/10W	
R658	1-216-809-11	METAL CHIP 100 5% 1/10W	
R659	1-216-809-11	METAL CHIP 100 5% 1/10W	
R660	1-216-809-11	METAL CHIP 100 5% 1/10W	
R661	1-216-809-11	METAL CHIP 100 5% 1/10W	
R662	1-216-809-11	METAL CHIP 100 5% 1/10W	
R663	1-216-809-11	METAL CHIP 100 5% 1/10W	
*****			
		SPEAKER BOARD *****	
		< CAPACITOR >	
C780	1-163-021-11	CERAMIC CHIP 0.01uF 10% 50V	
C781	1-162-964-11	CERAMIC CHIP 0.001uF 10% 50V	
C782	1-163-021-11	CERAMIC CHIP 0.01uF 10% 50V	
C783	1-162-964-11	CERAMIC CHIP 0.001uF 10% 50V	
C784	1-163-021-11	CERAMIC CHIP 0.01uF 10% 50V	
C785	1-162-964-11	CERAMIC CHIP 0.001uF 10% 50V	
C786	1-163-021-11	CERAMIC CHIP 0.01uF 10% 50V	
C787	1-162-964-11	CERAMIC CHIP 0.001uF 10% 50V	
C788	1-163-021-11	CERAMIC CHIP 0.01uF 10% 50V	
C789	1-162-964-11	CERAMIC CHIP 0.001uF 10% 50V	
C790	1-163-021-11	CERAMIC CHIP 0.01uF 10% 50V	
C791	1-162-964-11	CERAMIC CHIP 0.001uF 10% 50V	
C792	1-163-021-11	CERAMIC CHIP 0.01uF 10% 50V	
C793	1-162-964-11	CERAMIC CHIP 0.001uF 10% 50V	
C794	1-163-021-11	CERAMIC CHIP 0.01uF 10% 50V	
C795	1-162-964-11	CERAMIC CHIP 0.001uF 10% 50V	
		< CONNECTOR >	
* CN780	1-564-523-11	PLUG, CONNECTOR 8P	
		< TERMINAL >	
TB780	1-780-454-11	TERMINAL BOARD (SPEAKER) 4P (SPEAKER)	
*****			
		SW (1) BOARD *****	
		< SWITCH >	
S721	1-786-084-11	SWITCH, DETECTION (MAIN TRAY IN/OUT)	
*****			
		SW (2) BOARD *****	
		< SWITCH >	
S731	1-786-382-11	SWITCH, PUSH (1 KEY) (SUB TRAY IN)	
*****			

# HCD-HDX265/HDX266/HDX267W/HDX465/HDX466/HDX665

Ref. No.	Part No.	Description	Remark
		MISCELLANEOUS *****	
8	1-693-727-11	TUNER (FM/AM) (HDX265: E, AUS)	
8	1-693-728-11	TUNER (FM/AM) (HDX265: US/HDX266/ HDX267W/HDX465/HDX466/HDX665)	
△ 11	1-696-848-81	CORD, POWER (HDX265: AUS)	
△ 11	1-777-071-23	CORD, POWER (HDX265: E)	
△ 11	1-830-190-11	CORD, POWER (HDX265: US/HDX266/ HDX267W/HDX465/HDX466/HDX665)	
14	1-828-317-11	WIRE (FLAT TYPE) (11 CORE)	
15	1-828-361-11	WIRE (FLAT TYPE) (19 CORE)	
16	1-828-293-11	WIRE (FLAT TYPE) (5 CORE)	
17	1-828-009-11	WIRE (FLAT TYPE) (11 CORE)	
18	1-828-953-11	WIRE (FLAT TYPE) (9 CORE)	
19	1-828-308-11	WIRE (FLAT TYPE) (9 CORE)	
112	1-828-369-11	WIRE (FLAT TYPE) (21 CORE)	
△ 302	8-820-291-02	OPTICAL PICK-UP BLOCK (KHM-310CAB/ C2RP) (Including sled motor, spindle motor)	
△ 302	8-820-322-04	OPTICAL PICK-UP BLOCK (KHM-313CAB/ C2RP) (Including sled motor, spindle motor)	
306	1-828-774-51	WIRE (FLAT TYPE) (24 CORE)	
△ F901	1-533-311-12	FUSE, GLASS CYLINDRICAL (DIA.5) (8A/125V) (HDX265: US/HDX266/HDX267W/HDX465/ HDX466/HDX665)	
△ F901	1-576-233-51	FUSE (H.B.C.) (T6.3AL/250V) (HDX265: E, AUS)	
M3000	1-787-396-11	D.C. FAN (50 SQUARE)	
M761	A-4713-174-A	MOTOR (81) ASSY (LD/ST MOTOR)	
M762	A-4713-174-A	MOTOR (81) ASSY (BU U/D MOTOR)	
S771	1-478-552-11	ENCODER, ROTARY (MD)	
S781	1-478-551-11	ENCODER, ROTARY (ST U/D ENCODER)	

**Note:** If wire (flat type) is replaced, install it after bending it in the same form as that before replacement.

**Note:** Refer to the Servicing Notes "HOW TO IDENTIFY OPTICAL PICK-UP BLOCK" (page 7), if replacing the Ref. No. 302.


3. ELECTRICAL PARTS LIST


NOTE:

- Due to standardization, replacements in the parts list may be different from the parts specified in the diagrams or the components used on the set.
- -XX and -X mean standardized parts, so they may have some difference from the original one.
- Items marked “\*” are not stocked since they are seldom required for routine service. Some delay should be anticipated when ordering these items.
- CAPACITORS  
uF: μF
- COILS  
uH: μH

- RESISTORS  
All resistors are in ohms.  
METAL: Metal-film resistor.  
METAL OXIDE: Metal oxide-film resistor.  
F: nonflammable
- SEMICONDUCTORS  
In each case, u: μ, for example:  
uA... : μA...      uPA... : μPA...  
uPB... : μPB...    uPC... : μPC...  
uPD... : μPD...
- Abbreviation  
AUS: Australian model

When indicating parts by reference number, please include the board.

The components identified by mark  contain confidential information. Strictly follow the instructions whenever the components are repaired and/or replaced.

Les composants identifiés par la marque  contiennent des informations confidentielles. Suivre scrupuleusement les instructions chaque fois qu'un composant est remplacé et / ou réparé.

Ref. No.	Part No.	Description	Remark	Ref. No.	Part No.	Description	Remark
		DIAT CON BOARD *****		C240	1-107-826-11	CERAMIC CHIP 0.1uF 10%	16V
		< CONNECTOR >		C241	1-107-826-11	CERAMIC CHIP 0.1uF 10%	16V
CN1806	1-770-382-11	CONNECTOR, BOARD TO BOARD 12P				< CONNECTOR >	
CN1809	1-779-548-21	CONNECTOR, FFC (LIF (NON-ZIF)) 11P		CN201	1-784-861-51	CONNECTOR, FFC (LIF (NON-ZIF)) 9P	
		< JUMPER RESISTOR >		CN203	1-774-730-21	PIN, CONNECTOR (PC BOARD) 3P	
JR001	1-216-296-11	SHORT CHIP 0		CN204	1-817-615-21	CONNECTOR BOARD TO BOARD 18P	(DMPORT)
JR002	1-216-296-11	SHORT CHIP 0				< IC >	
JR003	1-216-864-11	SHORT CHIP 0		IC201	6-705-308-01	IC SI-3010KM-TL	
JR004	1-216-296-11	SHORT CHIP 0		IC202	8-759-710-97	IC NJM4565M-D	
JR005	1-216-296-11	SHORT CHIP 0				< COIL >	
JR006	1-216-296-11	SHORT CHIP 0		L200	1-469-525-11	INDUCTOR 10uH	
JR007	1-216-864-11	SHORT CHIP 0				< RESISTOR >	
JR008	1-216-296-11	SHORT CHIP 0		R203	1-218-879-11	METAL CHIP 22K 0.5%	1/10W
JR009	1-216-864-11	SHORT CHIP 0		R208	1-218-879-11	METAL CHIP 22K 0.5%	1/10W
JR010	1-216-864-11	SHORT CHIP 0		R214	1-218-879-11	METAL CHIP 22K 0.5%	1/10W
*****				R215	1-218-879-11	METAL CHIP 22K 0.5%	1/10W
A-1221-025-A		DMPORT BOARD, COMPLETE *****		R220	1-216-821-11	METAL CHIP 1K 5%	1/10W
		< CAPACITOR >		R221	1-216-821-11	METAL CHIP 1K 5%	1/10W
C210	1-107-826-11	CERAMIC CHIP 0.1uF 10%	16V	R222	1-216-840-11	METAL CHIP 39K 5%	1/10W
C211	1-126-206-11	ELECT CHIP 100uF 20%	6.3V	R223	1-216-833-11	METAL CHIP 10K 5%	1/10W
C212	1-107-826-11	CERAMIC CHIP 0.1uF 10%	16V	R224	1-216-864-11	SHORT CHIP 0	
C213	1-107-826-11	CERAMIC CHIP 0.1uF 10%	16V	R227	1-218-879-11	METAL CHIP 22K 0.5%	1/10W
C214	1-162-964-11	CERAMIC CHIP 0.001uF 10%	50V	R228	1-218-879-11	METAL CHIP 22K 0.5%	1/10W
C220	1-128-995-21	ELECT CHIP 100uF 20%	10V	R229	1-218-879-11	METAL CHIP 22K 0.5%	1/10W
C221	1-107-826-11	CERAMIC CHIP 0.1uF 10%	16V	R230	1-218-879-11	METAL CHIP 22K 0.5%	1/10W
C222	1-107-826-11	CERAMIC CHIP 0.1uF 10%	16V	R231	1-216-829-11	METAL CHIP 4.7K 5%	1/10W
C223	1-126-206-11	ELECT CHIP 100uF 20%	6.3V	R232	1-216-829-11	METAL CHIP 4.7K 5%	1/10W
C229	1-165-908-11	CERAMIC CHIP 1uF 10%	10V	R237	1-216-864-11	SHORT CHIP 0	
C230	1-165-908-11	CERAMIC CHIP 1uF 10%	10V	R238	1-216-864-11	SHORT CHIP 0	
C231	1-165-908-11	CERAMIC CHIP 1uF 10%	10V	R239	1-216-864-11	SHORT CHIP 0	
C232	1-165-908-11	CERAMIC CHIP 1uF 10%	10V	R240	1-216-809-11	METAL CHIP 100 5%	1/10W
C233	1-162-927-11	CERAMIC CHIP 100PF 5%	50V	R241	1-216-809-11	METAL CHIP 100 5%	1/10W
C234	1-162-927-11	CERAMIC CHIP 100PF 5%	50V	*****			
C235	1-162-927-11	CERAMIC CHIP 100PF 5%	50V			EN BOARD	
C236	1-162-927-11	CERAMIC CHIP 100PF 5%	50V			*****	
C237	1-107-826-11	CERAMIC CHIP 0.1uF 10%	16V			< CAPACITOR >	
C238	1-126-395-11	ELECT CHIP 22uF 20%	16V	C910	1-162-970-11	CERAMIC CHIP 0.01uF 10%	25V
C239	1-126-205-11	ELECT CHIP 47uF 20%	6.3V				

# HCD-HDX265/HDX266/HDX267W/HDX465/HDX466/HDX665

**EN** **LED** **MAIN**

Ref. No.	Part No.	Description	Remark
C911	1-162-970-11	CERAMIC CHIP 0.01uF 10%	25V
		< SWITCH >	
S910	1-418-725-51	ENCODER, ROTARY (12 TYPE) (VOLUME)	
*****			
		LED BOARD	
		*****	
		< CAPACITOR >	
C500	1-107-826-11	CERAMIC CHIP 0.1uF 10%	16V
C501	1-107-826-11	CERAMIC CHIP 0.1uF 10%	16V
		< CONNECTOR >	
CN500	1-564-719-11	PIN, CONNECTOR (SMALL TYPE) 3P	
		< LED >	
D500	6-501-688-01	LED SELT2WA10CTP3 (ILLUMINATION)	
		< TRANSISTOR >	
Q500	8-729-027-23	TRANSISTOR DTA114EKA-T146	
		< RESISTOR >	
R500	1-216-809-11	METAL CHIP 100 5%	1/10W
R501	1-216-811-11	METAL CHIP 150 5%	1/10W
R502	1-216-833-11	METAL CHIP 10K 5%	1/10W
*****			
Ⓜ	A-1244-171-A	MAIN BOARD, COMPLETE (for SERVICE) (HDX265: US/HDX267W)	
Ⓜ	A-1244-172-A	MAIN BOARD, COMPLETE (for SERVICE) (HDX265: AUS)	
Ⓜ	A-1244-173-A	MAIN BOARD, COMPLETE (for SERVICE) (HDX266)	
Ⓜ	A-1244-175-A	MAIN BOARD, COMPLETE (for SERVICE) (HDX465/HDX466)	
Ⓜ	A-1244-177-A	MAIN BOARD, COMPLETE (for SERVICE) (HDX665)	
Ⓜ	A-1256-691-A	MAIN BOARD, COMPLETE (for SERVICE) (HDX265: E)	
		*****	
		< CAPACITOR >	
C501	1-107-826-11	CERAMIC CHIP 0.1uF 10%	16V
C502	1-107-826-11	CERAMIC CHIP 0.1uF 10%	16V
C503	1-107-826-11	CERAMIC CHIP 0.1uF 10%	16V
C504	1-162-970-11	CERAMIC CHIP 0.01uF 10%	25V
C505	1-162-970-11	CERAMIC CHIP 0.01uF 10%	25V
C506	1-107-826-11	CERAMIC CHIP 0.1uF 10%	16V
C507	1-107-826-11	CERAMIC CHIP 0.1uF 10%	16V
C508	1-107-826-11	CERAMIC CHIP 0.1uF 10%	16V
C509	1-165-908-11	CERAMIC CHIP 1uF 10%	10V
C510	1-107-826-11	CERAMIC CHIP 0.1uF 10%	16V
C511	1-162-964-11	CERAMIC CHIP 0.001uF 10%	50V
C515	1-107-826-11	CERAMIC CHIP 0.1uF 10%	16V
C516	1-165-908-11	CERAMIC CHIP 1uF 10%	10V
C517	1-107-826-11	CERAMIC CHIP 0.1uF 10%	16V
C518	1-107-826-11	CERAMIC CHIP 0.1uF 10%	16V

Ref. No.	Part No.	Description	Remark
C519	1-107-826-11	CERAMIC CHIP 0.1uF 10%	16V
C520	1-127-715-11	CERAMIC CHIP 0.22uF 10%	16V
C521	1-162-970-11	CERAMIC CHIP 0.01uF 10%	25V
C522	1-127-715-11	CERAMIC CHIP 0.22uF 10%	16V
C523	1-107-826-11	CERAMIC CHIP 0.1uF 10%	16V
C524	1-126-947-11	ELECT 47uF 20%	35V
C525	1-107-826-11	CERAMIC CHIP 0.1uF 10%	16V
C526	1-104-658-91	ELECT 100uF 20%	10V
C527	1-126-916-11	ELECT 1000uF 20%	6.3V
C528	1-126-916-11	ELECT 1000uF 20%	6.3V
C529	1-107-823-11	CERAMIC CHIP 0.47uF 10%	16V
C531	1-107-826-11	CERAMIC CHIP 0.1uF 10%	16V
C532	1-107-826-11	CERAMIC CHIP 0.1uF 10%	16V
C533	1-107-826-11	CERAMIC CHIP 0.1uF 10%	16V
C534	1-107-826-11	CERAMIC CHIP 0.1uF 10%	16V
C535	1-126-947-11	ELECT 47uF 20%	35V
C536	1-126-947-11	ELECT 47uF 20%	35V
C538	1-162-964-11	CERAMIC CHIP 0.001uF 10%	50V
C651	1-107-826-11	CERAMIC CHIP 0.1uF 10%	16V
C705	1-126-964-11	ELECT 10uF 20%	50V
C706	1-126-964-11	ELECT 10uF 20%	50V
C707	1-107-826-11	CERAMIC CHIP 0.1uF 10%	16V
C708	1-107-826-11	CERAMIC CHIP 0.1uF 10%	16V
C717	1-126-964-11	ELECT 10uF 20%	50V
C718	1-107-826-11	CERAMIC CHIP 0.1uF 10%	16V
C1101	1-162-970-11	CERAMIC CHIP 0.01uF 10%	25V
C1102	1-125-837-11	CERAMIC CHIP 1uF 10%	6.3V
C1105	1-126-947-11	ELECT 47uF 20%	35V
C1106	1-162-970-11	CERAMIC CHIP 0.01uF 10%	25V
C1110	1-162-970-11	CERAMIC CHIP 0.01uF 10%	25V
C1112	1-128-994-21	ELECT CHIP 47uF 20%	10V
C1113	1-162-970-11	CERAMIC CHIP 0.01uF 10%	25V
C1114	1-107-826-11	CERAMIC CHIP 0.1uF 10%	16V
C1115	1-107-826-11	CERAMIC CHIP 0.1uF 10%	16V
C1116	1-107-826-11	CERAMIC CHIP 0.1uF 10%	16V
C1117	1-124-779-00	ELECT CHIP 10uF 20%	16V
C1118	1-126-964-11	ELECT 10uF 20%	50V
C1119	1-126-964-11	ELECT 10uF 20%	50V
C1120	1-165-908-11	CERAMIC CHIP 1uF 10%	10V
C1121	1-165-908-11	CERAMIC CHIP 1uF 10%	10V
C1122	1-165-908-11	CERAMIC CHIP 1uF 10%	10V
C1123	1-165-908-11	CERAMIC CHIP 1uF 10%	10V
C1124	1-165-908-11	CERAMIC CHIP 1uF 10%	10V
C1125	1-107-826-11	CERAMIC CHIP 0.1uF 10%	16V
C1126	1-107-826-11	CERAMIC CHIP 0.1uF 10%	16V
C1127	1-162-970-11	CERAMIC CHIP 0.01uF 10%	25V
C1128	1-164-172-11	CERAMIC CHIP 0.0056uF 10%	25V
C1130	1-107-826-11	CERAMIC CHIP 0.1uF 10%	16V
C1131	1-107-826-11	CERAMIC CHIP 0.1uF 10%	16V
C1132	1-107-826-11	CERAMIC CHIP 0.1uF 10%	16V
C1133	1-107-826-11	CERAMIC CHIP 0.1uF 10%	16V
C1135	1-164-677-11	CERAMIC CHIP 0.033uF 10%	16V
C1136	1-162-970-11	CERAMIC CHIP 0.01uF 10%	25V
C1137	1-107-826-11	CERAMIC CHIP 0.1uF 10%	16V
C1138	1-162-964-11	CERAMIC CHIP 0.001uF 10%	50V
C1139	1-162-919-11	CERAMIC CHIP 22PF 5%	50V

Ref. No.	Part No.	Description			Remark	Ref. No.	Part No.	Description			Remark
C1140	1-107-826-11	CERAMIC CHIP	0.1uF	10%	16V	C1218	1-126-964-11	ELECT	10uF	20%	50V
C1144	1-162-970-11	CERAMIC CHIP	0.01uF	10%	25V	C1219	1-162-970-11	CERAMIC CHIP	0.01uF	10%	25V
C1145	1-124-779-00	ELECT CHIP	10uF	20%	16V	C1220	1-126-964-11	ELECT	10uF	20%	50V
C1146	1-107-826-11	CERAMIC CHIP	0.1uF	10%	16V	C1221	1-107-826-11	CERAMIC CHIP	0.1uF	10%	16V
C1147	1-165-176-11	CERAMIC CHIP	0.047uF	10%	16V	C1222	1-107-826-11	CERAMIC CHIP	0.1uF	10%	16V
C1148	1-165-176-11	CERAMIC CHIP	0.047uF	10%	16V	C1224	1-162-970-11	CERAMIC CHIP	0.01uF	10%	25V
C1149	1-107-826-11	CERAMIC CHIP	0.1uF	10%	16V	C1233	1-162-968-11	CERAMIC CHIP	0.0047uF	10%	50V
C1150	1-124-779-00	ELECT CHIP	10uF	20%	16V	C1602	1-128-994-21	ELECT CHIP	47uF	20%	10V
C1151	1-162-964-11	CERAMIC CHIP	0.001uF	10%	50V	C1603	1-128-994-21	ELECT CHIP	47uF	20%	10V
C1152	1-162-916-11	CERAMIC CHIP	12PF	5%	50V	C1701	1-107-826-11	CERAMIC CHIP	0.1uF	10%	16V
C1153	1-162-916-11	CERAMIC CHIP	12PF	5%	50V	C1702	1-107-826-11	CERAMIC CHIP	0.1uF	10%	16V
C1154	1-107-826-11	CERAMIC CHIP	0.1uF	10%	16V	C1703	1-162-970-11	CERAMIC CHIP	0.01uF	10%	25V
C1155	1-162-970-11	CERAMIC CHIP	0.01uF	10%	25V	C1704	1-107-826-11	CERAMIC CHIP	0.1uF	10%	16V
C1156	1-162-970-11	CERAMIC CHIP	0.01uF	10%	25V	C1706	1-107-826-11	CERAMIC CHIP	0.1uF	10%	16V
C1157	1-162-970-11	CERAMIC CHIP	0.01uF	10%	25V	C1707	1-126-965-11	ELECT	22uF	20%	50V
C1158	1-162-970-11	CERAMIC CHIP	0.01uF	10%	25V	C1709	1-107-826-11	CERAMIC CHIP	0.1uF	10%	16V
C1160	1-162-970-11	CERAMIC CHIP	0.01uF	10%	25V	C1710	1-126-964-11	ELECT	10uF	20%	50V
C1161	1-162-970-11	CERAMIC CHIP	0.01uF	10%	25V	C1711	1-107-826-11	CERAMIC CHIP	0.1uF	10%	16V
C1162	1-162-970-11	CERAMIC CHIP	0.01uF	10%	25V	C1712	1-107-826-11	CERAMIC CHIP	0.1uF	10%	16V
C1163	1-162-970-11	CERAMIC CHIP	0.01uF	10%	25V	C1713	1-164-172-11	CERAMIC CHIP	0.0056uF	10%	25V
C1164	1-162-970-11	CERAMIC CHIP	0.01uF	10%	25V	C1714	1-107-826-11	CERAMIC CHIP	0.1uF	10%	16V
C1169	1-107-826-11	CERAMIC CHIP	0.1uF	10%	16V	C1715	1-126-947-11	ELECT	47uF	20%	35V
C1170	1-124-779-00	ELECT CHIP	10uF	20%	16V	C1716	1-127-715-11	CERAMIC CHIP	0.22uF	10%	16V
C1171	1-107-826-11	CERAMIC CHIP	0.1uF	10%	16V	C1717	1-162-970-11	CERAMIC CHIP	0.01uF	10%	25V
C1172	1-162-970-11	CERAMIC CHIP	0.01uF	10%	25V	C1718	1-162-970-11	CERAMIC CHIP	0.01uF	10%	25V
C1173	1-162-964-11	CERAMIC CHIP	0.001uF	10%	50V	C1719	1-127-715-11	CERAMIC CHIP	0.22uF	10%	16V
C1174	1-162-970-11	CERAMIC CHIP	0.01uF	10%	25V	C1720	1-127-715-11	CERAMIC CHIP	0.22uF	10%	16V
C1175	1-162-970-11	CERAMIC CHIP	0.01uF	10%	25V	C1723	1-127-715-11	CERAMIC CHIP	0.22uF	10%	16V
C1176	1-162-970-11	CERAMIC CHIP	0.01uF	10%	25V	C1725	1-162-970-11	CERAMIC CHIP	0.01uF	10%	25V
C1177	1-126-947-11	ELECT	47uF	20%	35V	C1727	1-162-970-11	CERAMIC CHIP	0.01uF	10%	25V
C1179	1-107-826-11	CERAMIC CHIP	0.1uF	10%	16V	C1729	1-127-715-11	CERAMIC CHIP	0.22uF	10%	16V
C1180	1-107-826-11	CERAMIC CHIP	0.1uF	10%	16V	C1730	1-127-715-11	CERAMIC CHIP	0.22uF	10%	16V
C1181	1-107-826-11	CERAMIC CHIP	0.1uF	10%	16V	C1736	1-126-947-11	ELECT	47uF	20%	35V
C1182	1-127-715-11	CERAMIC CHIP	0.22uF	10%	16V	C2103	1-162-964-11	CERAMIC CHIP	0.001uF	10%	50V
C1183	1-128-934-11	CERAMIC CHIP	0.33uF	20%	10V	C2104	1-162-964-11	CERAMIC CHIP	0.001uF	10%	50V
C1184	1-162-970-11	CERAMIC CHIP	0.01uF	10%	25V	C2105	1-162-964-11	CERAMIC CHIP	0.001uF	10%	50V
C1186	1-127-715-11	CERAMIC CHIP	0.22uF	10%	16V	C2106	1-162-964-11	CERAMIC CHIP	0.001uF	10%	50V
C1187	1-126-947-11	ELECT	47uF	20%	35V	C2107	1-162-964-11	CERAMIC CHIP	0.001uF	10%	50V
C1190	1-104-658-91	ELECT	100uF	20%	10V	C2108	1-107-826-11	CERAMIC CHIP	0.1uF	10%	16V
C1191	1-107-826-11	CERAMIC CHIP	0.1uF	10%	16V	C2110	1-104-658-91	ELECT	100uF	20%	10V
C1192	1-162-970-11	CERAMIC CHIP	0.01uF	10%	25V	C2111	1-125-891-11	CERAMIC CHIP	0.47uF	10%	10V
C1193	1-127-715-11	CERAMIC CHIP	0.22uF	10%	16V	C2114	1-162-970-11	CERAMIC CHIP	0.01uF	10%	25V
C1195	1-127-715-11	CERAMIC CHIP	0.22uF	10%	16V	C2130	1-162-970-11	CERAMIC CHIP	0.01uF	10%	25V
C1197	1-107-826-11	CERAMIC CHIP	0.1uF	10%	16V	C3000	1-126-382-11	ELECT	100uF	20%	16V
C1198	1-165-908-11	CERAMIC CHIP	1uF	10%	10V	C3001	1-126-947-11	ELECT	47uF	20%	35V
C1199	1-162-968-11	CERAMIC CHIP	0.0047uF	10%	50V	C3002	1-115-339-11	CERAMIC CHIP	0.1uF	10%	50V
C1203	1-162-970-11	CERAMIC CHIP	0.01uF	10%	25V	C3003	1-162-964-11	CERAMIC CHIP	0.001uF	10%	50V
C1205	1-164-230-11	CERAMIC CHIP	220PF	5%	50V	C3004	1-162-964-11	CERAMIC CHIP	0.001uF	10%	50V
C1206	1-164-230-11	CERAMIC CHIP	220PF	5%	50V	C3008	1-164-156-11	CERAMIC CHIP	0.1uF	10%	25V
C1208	1-162-970-11	CERAMIC CHIP	0.01uF	10%	25V	C3011	1-126-947-11	ELECT	47uF	20%	35V
C1209	1-164-677-11	CERAMIC CHIP	0.033uF	10%	16V	C3012	1-107-826-11	CERAMIC CHIP	0.1uF	10%	16V
C1210	1-162-970-11	CERAMIC CHIP	0.01uF	10%	25V	C3013	1-107-826-11	CERAMIC CHIP	0.1uF	10%	16V
C1211	1-164-677-11	CERAMIC CHIP	0.033uF	10%	16V	C3014	1-107-826-11	CERAMIC CHIP	0.1uF	10%	16V
C1212	1-162-970-11	CERAMIC CHIP	0.01uF	10%	25V	C3015	1-107-826-11	CERAMIC CHIP	0.1uF	10%	16V
C1213	1-162-970-11	CERAMIC CHIP	0.01uF	10%	25V	C3016	1-107-826-11	CERAMIC CHIP	0.1uF	10%	16V
C1214	1-162-964-11	CERAMIC CHIP	0.001uF	10%	50V	C3017	1-107-826-11	CERAMIC CHIP	0.1uF	10%	16V
C1215	1-162-970-11	CERAMIC CHIP	0.01uF	10%	25V	C3018	1-107-826-11	CERAMIC CHIP	0.1uF	10%	16V
C1217	1-126-947-11	ELECT	47uF	20%	35V						

# HCD-HDX265/HDX266/HDX267W/HDX465/HDX466/HDX665

## MAIN

Ref. No.	Part No.	Description			Remark	Ref. No.	Part No.	Description			Remark
C3019	1-107-826-11	CERAMIC CHIP	0.1uF	10%	16V	C3108	1-104-329-11	CERAMIC CHIP	0.1uF	10%	50V
C3020	1-107-826-11	CERAMIC CHIP	0.1uF	10%	16V	C3109	1-112-246-11	ELECT	100uF	20%	35V
C3021	1-126-947-11	ELECT	47uF	20%	35V	C3112	1-112-246-11	ELECT	100uF	20%	35V
C3022	1-107-826-11	CERAMIC CHIP	0.1uF	10%	16V	C3113	1-104-329-11	CERAMIC CHIP	0.1uF	10%	50V
C3023	1-107-826-11	CERAMIC CHIP	0.1uF	10%	16V	C3114	1-137-198-81	FILM	1uF	5%	50V
C3024	1-107-826-11	CERAMIC CHIP	0.1uF	10%	16V	C3115	1-137-198-81	FILM	1uF	5%	50V
C3025	1-107-826-11	CERAMIC CHIP	0.1uF	10%	16V	C3116	1-112-831-11	ELECT	2200uF	20%	35V
C3026	1-107-826-11	CERAMIC CHIP	0.1uF	10%	16V	C3117	1-104-329-11	CERAMIC CHIP	0.1uF	10%	50V
C3027	1-107-826-11	CERAMIC CHIP	0.1uF	10%	16V	C3122	1-162-964-11	CERAMIC CHIP	0.001uF	10%	50V
C3028	1-107-826-11	CERAMIC CHIP	0.1uF	10%	16V	C3123	1-162-964-11	CERAMIC CHIP	0.001uF	10%	50V
C3029	1-107-826-11	CERAMIC CHIP	0.1uF	10%	16V	C3124	1-164-505-11	CERAMIC CHIP	2.2uF		16V
C3030	1-107-826-11	CERAMIC CHIP	0.1uF	10%	16V	C3125	1-164-505-11	CERAMIC CHIP	2.2uF		16V
C3031	1-126-947-11	ELECT	47uF	20%	35V	C3126	1-164-505-11	CERAMIC CHIP	2.2uF		16V
C3032	1-107-826-11	CERAMIC CHIP	0.1uF	10%	16V	C3127	1-164-505-11	CERAMIC CHIP	2.2uF		16V
C3033	1-107-826-11	CERAMIC CHIP	0.1uF	10%	16V	C3128	1-164-505-11	CERAMIC CHIP	2.2uF		16V
C3034	1-107-826-11	CERAMIC CHIP	0.1uF	10%	16V	C3129	1-117-370-11	CERAMIC CHIP	10uF		10V
C3035	1-107-826-11	CERAMIC CHIP	0.1uF	10%	16V	C3150	1-104-329-11	CERAMIC CHIP	0.1uF	10%	50V
C3036	1-107-826-11	CERAMIC CHIP	0.1uF	10%	16V	C3153	1-107-725-11	CERAMIC CHIP	0.1uF	10%	16V
C3037	1-107-826-11	CERAMIC CHIP	0.1uF	10%	16V	C3154	1-164-156-11	CERAMIC CHIP	0.1uF		25V
C3038	1-107-826-11	CERAMIC CHIP	0.1uF	10%	16V	C3155	1-107-725-11	CERAMIC CHIP	0.1uF	10%	16V
C3039	1-107-826-11	CERAMIC CHIP	0.1uF	10%	16V	C3156	1-115-185-11	CERAMIC CHIP	0.033uF	10%	50V
C3040	1-107-826-11	CERAMIC CHIP	0.1uF	10%	16V	C3157	1-115-185-11	CERAMIC CHIP	0.033uF	10%	50V
C3051	1-115-339-11	CERAMIC CHIP	0.1uF	10%	50V	C3158	1-104-329-11	CERAMIC CHIP	0.1uF	10%	50V
C3052	1-165-908-11	CERAMIC CHIP	1uF	10%	10V	C3159	1-112-246-11	ELECT	100uF	20%	35V
C3053	1-162-964-11	CERAMIC CHIP	0.001uF	10%	50V	C3162	1-112-246-11	ELECT	100uF	20%	35V
C3054	1-126-933-11	ELECT	100uF	20%	16V	C3163	1-104-329-11	CERAMIC CHIP	0.1uF	10%	50V
C3055	1-162-970-11	CERAMIC CHIP	0.01uF	10%	25V	C3164	1-137-198-81	FILM	1uF	5%	50V
C3056	1-126-932-91	ELECT	220uF	20%	10V	C3165	1-137-198-81	FILM	1uF	5%	50V
C3057	1-162-970-11	CERAMIC CHIP	0.01uF	10%	25V	C3166	1-112-831-11	ELECT	2200uF	20%	35V
C3058	1-162-910-11	CERAMIC CHIP	5PF	0.25PF	50V	C3167	1-104-329-11	CERAMIC CHIP	0.1uF	10%	50V
C3059	1-162-964-11	CERAMIC CHIP	0.001uF	10%	50V	C3172	1-162-964-11	CERAMIC CHIP	0.001uF	10%	50V
C3060	1-162-915-11	CERAMIC CHIP	10PF	0.5PF	50V	C3173	1-162-964-11	CERAMIC CHIP	0.001uF	10%	50V
C3067	1-162-927-11	CERAMIC CHIP	100PF	5%	50V	C3200	1-104-329-11	CERAMIC CHIP	0.1uF	10%	50V
C3068	1-162-927-11	CERAMIC CHIP	100PF	5%	50V	C3203	1-107-725-11	CERAMIC CHIP	0.1uF	10%	16V
C3069	1-162-927-11	CERAMIC CHIP	100PF	5%	50V	C3204	1-164-156-11	CERAMIC CHIP	0.1uF		25V
C3070	1-162-964-11	CERAMIC CHIP	0.001uF	10%	50V	C3205	1-107-725-11	CERAMIC CHIP	0.1uF	10%	16V
C3071	1-162-970-11	CERAMIC CHIP	0.01uF	10%	25V	C3206	1-115-185-11	CERAMIC CHIP	0.033uF	10%	50V
C3072	1-107-826-11	CERAMIC CHIP	0.1uF	10%	16V	C3207	1-115-185-11	CERAMIC CHIP	0.033uF	10%	50V
C3073	1-107-826-11	CERAMIC CHIP	0.1uF	10%	16V	C3208	1-104-329-11	CERAMIC CHIP	0.1uF	10%	50V
C3081	1-126-925-91	ELECT	470uF	20%	10V	C3209	1-112-246-11	ELECT	100uF	20%	35V
C3082	1-126-925-91	ELECT	470uF	20%	10V	C3212	1-112-246-11	ELECT	100uF	20%	35V
C3083	1-162-927-11	CERAMIC CHIP	100PF	5%	50V	C3213	1-104-329-11	CERAMIC CHIP	0.1uF	10%	50V
C3084	1-162-927-11	CERAMIC CHIP	100PF	5%	50V	C3214	1-137-198-81	FILM	1uF	5%	50V
C3085	1-162-927-11	CERAMIC CHIP	100PF	5%	50V	C3215	1-137-198-81	FILM	1uF	5%	50V
C3086	1-162-927-11	CERAMIC CHIP	100PF	5%	50V	C3216	1-112-831-11	ELECT	2200uF	20%	35V
C3087	1-162-927-11	CERAMIC CHIP	100PF	5%	50V	C3217	1-104-329-11	CERAMIC CHIP	0.1uF	10%	50V
C3088	1-162-927-11	CERAMIC CHIP	100PF	5%	50V	C3250	1-104-329-11	CERAMIC CHIP	0.1uF	10%	50V
C3090	1-104-658-91	ELECT	100uF	20%	10V	C3253	1-107-725-11	CERAMIC CHIP	0.1uF	10%	16V
C3091	1-126-934-11	ELECT	220uF	20%	16V	C3254	1-164-156-11	CERAMIC CHIP	0.1uF		25V
C3092	1-162-927-11	CERAMIC CHIP	100PF	5%	50V	C3255	1-107-725-11	CERAMIC CHIP	0.1uF	10%	16V
C3093	1-162-927-11	CERAMIC CHIP	100PF	5%	50V	C3256	1-115-185-11	CERAMIC CHIP	0.033uF	10%	50V
C3094	1-162-927-11	CERAMIC CHIP	100PF	5%	50V	C3257	1-115-185-11	CERAMIC CHIP	0.033uF	10%	50V
C3100	1-104-329-11	CERAMIC CHIP	0.1uF	10%	50V	C3258	1-104-329-11	CERAMIC CHIP	0.1uF	10%	50V
C3103	1-107-725-11	CERAMIC CHIP	0.1uF	10%	16V	C3259	1-112-246-11	ELECT	100uF	20%	35V
C3104	1-164-156-11	CERAMIC CHIP	0.1uF		25V	C3262	1-112-246-11	ELECT	100uF	20%	35V
C3105	1-107-725-11	CERAMIC CHIP	0.1uF	10%	16V	C3263	1-104-329-11	CERAMIC CHIP	0.1uF	10%	50V
C3106	1-115-185-11	CERAMIC CHIP	0.033uF	10%	50V	C3264	1-137-198-81	FILM	1uF	5%	50V
C3107	1-115-185-11	CERAMIC CHIP	0.033uF	10%	50V						

# HCD-HDX265/HDX266/HDX267W/HDX465/HDX466/HDX665

MAIN

Ref. No.	Part No.	Description	Remark	Ref. No.	Part No.	Description	Remark
C3265	1-137-198-81	FILM	1uF 5% 50V	C3516	1-112-831-11	ELECT	2200uF 20% 35V
C3267	1-104-329-11	CERAMIC CHIP	0.1uF 10% 50V				(EXCEPT HDX266)
C3266	1-112-831-11	ELECT	2200uF 20% 35V	C3517	1-104-329-11	CERAMIC CHIP	0.1uF 10% 50V
C3300	1-104-329-11	CERAMIC CHIP	0.1uF 10% 50V				(EXCEPT HDX266)
C3303	1-107-725-11	CERAMIC CHIP	0.1uF 10% 16V	C3551	1-126-960-11	ELECT	1uF 20% 50V
C3304	1-164-156-11	CERAMIC CHIP	0.1uF 25V	C3552	1-126-964-11	ELECT	10uF 20% 50V
C3305	1-107-725-11	CERAMIC CHIP	0.1uF 10% 16V	C3553	1-164-505-11	CERAMIC CHIP	2.2uF 16V
C3306	1-115-185-11	CERAMIC CHIP	0.033uF 10% 50V	C3556	1-164-505-11	CERAMIC CHIP	2.2uF 16V
C3307	1-115-185-11	CERAMIC CHIP	0.033uF 10% 50V	C3901	1-162-964-11	CERAMIC CHIP	0.001uF 10% 50V
C3308	1-104-329-11	CERAMIC CHIP	0.1uF 10% 50V	C3902	1-162-964-11	CERAMIC CHIP	0.001uF 10% 50V
C3309	1-112-246-11	ELECT	100uF 20% 35V	C3903	1-162-964-11	CERAMIC CHIP	0.001uF 10% 50V
C3312	1-112-246-11	ELECT	100uF 20% 35V	C3904	1-162-964-11	CERAMIC CHIP	0.001uF 10% 50V
C3313	1-104-329-11	CERAMIC CHIP	0.1uF 10% 50V	C3911	1-163-021-11	CERAMIC CHIP	0.01uF 10% 50V
C3314	1-137-198-81	FILM	1uF 5% 50V	C3912	1-163-021-11	CERAMIC CHIP	0.01uF 10% 50V
C3315	1-137-198-81	FILM	1uF 5% 50V	C3913	1-163-021-11	CERAMIC CHIP	0.01uF 10% 50V
C3316	1-112-831-11	ELECT	2200uF 20% 35V	C3914	1-163-021-11	CERAMIC CHIP	0.01uF 10% 50V
C3317	1-104-329-11	CERAMIC CHIP	0.1uF 10% 50V	C4501	1-117-370-11	CERAMIC CHIP	10uF 10V
C3322	1-162-964-11	CERAMIC CHIP	0.001uF 10% 50V	C4502	1-162-970-11	CERAMIC CHIP	0.01uF 10% 25V
C3323	1-162-964-11	CERAMIC CHIP	0.001uF 10% 50V	C4504	1-162-970-11	CERAMIC CHIP	0.01uF 10% 25V
C3400	1-104-329-11	CERAMIC CHIP	0.1uF 10% 50V	C9772	1-107-826-11	CERAMIC CHIP	0.1uF 10% 16V
C3403	1-107-725-11	CERAMIC CHIP	0.1uF 10% 16V			< CONNECTOR >	
C3404	1-164-156-11	CERAMIC CHIP	0.1uF 25V	CN501	1-784-380-51	CONNECTOR, FFC/FPC 23P	
C3405	1-107-725-11	CERAMIC CHIP	0.1uF 10% 16V	CN606	1-778-691-51	CONNECTOR, FFC/FPC 19P	
C3406	1-115-185-11	CERAMIC CHIP	0.033uF 10% 50V	CN625	1-774-744-21	CONNECTOR, BOARD TO BOARD 18P	
C3407	1-115-185-11	CERAMIC CHIP	0.033uF 10% 50V	CN651	1-779-279-11	CONNECTOR, FFC (LIF (NON-ZIF)) 11P	
C3408	1-104-329-11	CERAMIC CHIP	0.1uF 10% 50V	CN702	1-779-273-11	CONNECTOR, FFC (LIF (NON-ZIF)) 5P	
C3409	1-112-246-11	ELECT	100uF 20% 35V	CN1101	1-815-763-32	CONNECTOR, FFC/FPC 24P	
C3412	1-112-246-11	ELECT	100uF 20% 35V	* CN1105	1-770-470-21	PIN, CONNECTOR (PC BOARD) 6P	
C3413	1-104-329-11	CERAMIC CHIP	0.1uF 10% 50V	* CN1201	1-770-470-21	PIN, CONNECTOR (PC BOARD) 6P	
C3414	1-137-198-81	FILM	1uF 5% 50V	CN1701	1-820-735-11	HDMI CONNECTOR (HDMI OUT (DVD ONLY))	
C3415	1-137-198-81	FILM	1uF 5% 50V	CN3000	1-564-704-41	PIN, CONNECTOR (SMALL TYPE) 2P	
C3416	1-112-831-11	ELECT	2200uF 20% 35V	CN3001	1-564-706-11	PIN, CONNECTOR (SMALL TYPE) 4P	
C3417	1-104-329-11	CERAMIC CHIP	0.1uF 10% 50V	CN3002	1-785-102-11	PIN, CONNECTOR (3.96mm PITCH) 4P	
C3422	1-162-964-11	CERAMIC CHIP	0.001uF 10% 50V	CN4302	1-784-370-51	CONNECTOR, FFC/FPC 11P	
C3423	1-162-964-11	CERAMIC CHIP	0.001uF 10% 50V			< DIODE >	
C3500	1-104-329-11	CERAMIC CHIP	0.1uF 10% 50V	D501	6-501-193-01	DIODE 1SS355WTE-17	
			(EXCEPT HDX266)	D502	6-501-193-01	DIODE 1SS355WTE-17	
C3503	1-107-725-11	CERAMIC CHIP	0.1uF 10% 16V	D504	6-501-193-01	DIODE 1SS355WTE-17	
			(EXCEPT HDX266)	D505	6-500-334-01	DIODE MC2836-T112-1	
C3504	1-164-156-11	CERAMIC CHIP	0.1uF 25V	D701	6-501-579-01	DIODE MC2837	
			(EXCEPT HDX266)	D3071	6-501-193-01	DIODE 1SS355WTE-17	
C3505	1-107-725-11	CERAMIC CHIP	0.1uF 10% 16V	D3072	6-501-193-01	DIODE 1SS355WTE-17	
			(EXCEPT HDX266)	D3073	6-501-193-01	DIODE 1SS355WTE-17	
C3506	1-115-185-11	CERAMIC CHIP	0.033uF 10% 50V	D3111	6-500-885-01	DIODE P6SMBJ33A-5	
			(EXCEPT HDX266)	D3112	6-500-885-01	DIODE P6SMBJ33A-5	
C3507	1-115-185-11	CERAMIC CHIP	0.033uF 10% 50V	D3151	6-500-885-01	DIODE P6SMBJ33A-5	
			(EXCEPT HDX266)	D3152	6-500-885-01	DIODE P6SMBJ33A-5	
C3508	1-104-329-11	CERAMIC CHIP	0.1uF 10% 50V	D3201	6-500-885-01	DIODE P6SMBJ33A-5	
			(EXCEPT HDX266)	D3202	6-500-885-01	DIODE P6SMBJ33A-5	
C3509	1-112-246-11	ELECT	100uF 20% 35V	D3251	6-500-885-01	DIODE P6SMBJ33A-5	
			(EXCEPT HDX266)	D3252	6-500-885-01	DIODE P6SMBJ33A-5	
C3512	1-112-246-11	ELECT	100uF 20% 35V	D3301	6-500-885-01	DIODE P6SMBJ33A-5	
			(EXCEPT HDX266)	D3302	6-500-885-01	DIODE P6SMBJ33A-5	
C3513	1-104-329-11	CERAMIC CHIP	0.1uF 10% 50V	D3401	6-500-885-01	DIODE P6SMBJ33A-5	
			(EXCEPT HDX266)	D3402	6-500-885-01	DIODE P6SMBJ33A-5	
C3514	1-137-198-81	FILM	1uF 5% 50V				
			(EXCEPT HDX266)				
C3515	1-137-198-81	FILM	1uF 5% 50V				
			(EXCEPT HDX266)				



# HCD-HDX265/HDX266/HDX267W/HDX465/HDX466/HDX665

**MAIN**

Ref. No.	Part No.	Description	Remark	Ref. No.	Part No.	Description	Remark
D3501	6-500-885-01	DIODE P6SMBJ33A-5 (EXCEPT HDX266)		IC1201	6-704-524-01	IC FAN8036L	
D3502	6-500-885-01	DIODE P6SMBJ33A-5 (EXCEPT HDX266)		IC1701	6-708-682-01	IC CXD9873Q	
D3551	6-501-579-01	DIODE MC2837		IC1702	6-702-300-01	IC TK11118CSCL-G	
D9712	6-501-193-01	DIODE 1SS355WTE-17		IC1703	6-702-302-01	IC TK11133CSCL-G	
		< FERRITE BEAD/JUMPER RESISTOR >		IC1705	8-759-592-47	IC TC7SZ08FU (TE85R)	
FB504	1-469-324-21	FERRITE, EMI (SMD) (2012)		IC1707	6-705-337-01	IC TK11150CSCL-G	
FB505	1-469-324-21	FERRITE, EMI (SMD) (2012)		IC3001	8-759-710-97	IC NJM4565M-D	
FB506	1-469-324-21	FERRITE, EMI (SMD) (2012)		IC3003	8-759-680-48	IC TC7WH157FK (TE85R)	
FB507	1-469-324-21	FERRITE, EMI (SMD) (2012)		IC3010	6-707-939-01	IC CXD9843AR	
FB508	1-469-324-21	FERRITE, EMI (SMD) (2012)		IC3020	6-707-939-01	IC CXD9843AR	
FB509	1-469-324-21	FERRITE, EMI (SMD) (2012)		IC3030	6-707-939-01	IC CXD9843AR	
FB510	1-469-324-21	FERRITE, EMI (SMD) (2012)		IC3050	6-702-300-01	IC TK11118CSCL-G	
FB1106	1-469-324-21	FERRITE, EMI (SMD) (2012)		IC3051	6-706-492-01	IC TC7SHU04FU (T5RSOJF)	
FB1107	1-469-324-21	FERRITE, EMI (SMD) (2012)		IC3100	6-708-921-01	IC CXD9883M	
FB1108	1-469-324-21	FERRITE, EMI (SMD) (2012)		IC3150	6-708-921-01	IC CXD9883M	
FB1111	1-469-670-21	FERRITE, EMI (SMD) (2012)		IC3200	6-708-921-01	IC CXD9883M	
FB1112	1-469-670-21	FERRITE, EMI (SMD) (2012)		IC3250	6-708-921-01	IC CXD9883M	
FB1115	1-469-670-21	FERRITE, EMI (SMD) (2012)		IC3300	6-708-921-01	IC CXD9883M	
FB1123	1-469-324-21	FERRITE, EMI (SMD) (2012)		IC3400	6-708-921-01	IC CXD9883M	
FB1601	1-469-324-21	FERRITE, EMI (SMD) (2012)		IC3500	6-708-921-01	IC CXD9883M (EXCEPT HDX266)	
FB1602	1-469-324-21	FERRITE, EMI (SMD) (2012)		IC4501	8-759-573-97	IC SN74LVC541APWR	
FB1603	1-469-324-21	FERRITE, EMI (SMD) (2012)				< COIL >	
FB1701	1-469-324-21	FERRITE, EMI (SMD) (2012)		L701	1-414-754-11	INDUCTOR	10uH
FB1702	1-469-324-21	FERRITE, EMI (SMD) (2012)		L3000	1-469-527-11	INDUCTOR	47uH
FB1703	1-469-324-21	FERRITE, EMI (SMD) (2012)		L3051	1-414-754-11	INDUCTOR	10uH
FB2101	1-469-324-21	FERRITE, EMI (SMD) (2012)		L3052	1-414-754-11	INDUCTOR	10uH
FB2103	1-469-324-21	FERRITE, EMI (SMD) (2012)		L3053	1-414-754-11	INDUCTOR	10uH
FB2120	1-469-118-21	FERRITE, EMI (SMD) (1608)		L3054	1-412-939-11	INDUCTOR	1uH
FB2121	1-469-118-21	FERRITE, EMI (SMD) (1608)		L3111	1-456-680-11	INDUCTOR	10uH
FB2122	1-469-118-21	FERRITE, EMI (SMD) (1608)		L3112	1-456-680-11	INDUCTOR	10uH
FB2123	1-469-118-21	FERRITE, EMI (SMD) (1608)		L3151	1-456-680-11	INDUCTOR	10uH
FB2124	1-469-118-21	FERRITE, EMI (SMD) (1608)		L3152	1-456-680-11	INDUCTOR	10uH
FB2125	1-469-118-21	FERRITE, EMI (SMD) (1608)		L3201	1-456-680-11	INDUCTOR	10uH
FB3051	1-216-295-00	SHORT CHIP 0		L3202	1-456-680-11	INDUCTOR	10uH
		< FILTER >		L3251	1-456-680-11	INDUCTOR	10uH
FL1111	1-234-494-21	FILTER, EMI REMOVAL (SMD)		L3252	1-456-680-11	INDUCTOR	10uH
FL4501	1-234-177-21	FILTER, CHIP EMI		L3301	1-456-680-11	INDUCTOR	10uH
		< IC >		L3302	1-456-680-11	INDUCTOR	10uH
IC501	6-807-546-01	IC M30622MGP-B21FPU0		L3401	1-456-680-11	INDUCTOR	10uH
IC502	6-702-302-01	IC TK11133CSCL-G		L3402	1-456-680-11	INDUCTOR	10uH
IC503	6-708-922-01	IC PST3635NR		L3501	1-456-680-11	INDUCTOR	10uH (EXCEPT HDX266)
IC504	6-709-034-01	IC NJM2887DL3 (TE2)		L3502	1-456-680-11	INDUCTOR	10uH (EXCEPT HDX266)
IC651	6-706-487-01	IC TC7SH08FU (T5RSOYJF)		L3901	1-457-077-11	AIR-CORE COIL	
IC772	6-710-554-01	IC PCM1808PWR		L3902	1-457-078-11	AIR-CORE COIL	
IC1101	6-710-093-01	IC CXD9889R		L3903	1-457-077-11	AIR-CORE COIL	
IC1102	6-807-486-01	IC S29AL032D70TF-CHI1-0702UC (HDX265: US/HDX266/HDX267W/HDX465/ HDX466/HDX665)		L3904	1-457-078-11	AIR-CORE COIL	
IC1102	6-807-487-01	IC S29AL032D70TF-CHI1-0702CE (HDX265: E, AUS)				< TRANSISTOR >	
IC1103	(Not supplied)	IC BR24L64F-WE2		Q503	8-729-620-07	TRANSISTOR	2SC3052EF-T1-LEF
IC1104	6-709-737-01	IC M12L64164A-7T (G)		Q504	6-550-718-01	FET	RSR025N03TL
IC1105	6-702-302-01	IC TK11133CSCL-G		Q631	8-729-620-07	TRANSISTOR	2SC3052EF-T1-LEF
IC1107	6-702-302-01	IC TK11133CSCL-G		Q632	8-729-620-07	TRANSISTOR	2SC3052EF-T1-LEF
IC1110	6-707-739-01	IC MM1661JTRF		Q1101	6-550-008-01	FET	UM6K1N-TN
IC1111	6-704-100-01	IC TC7PAU04FU (TE85R)		Q1102	6-550-653-01	TRANSISTOR	QST8TR
				Q1103	8-729-027-52	TRANSISTOR	DTC124EKA-T146
				Q1701	6-550-008-01	FET	UM6K1N-TN

**Note:** EEPROM (IC1103) cannot exchange with single.  
When EEPROM (IC1103) is damaged, exchange  
the entire mounted board.

Ref. No.	Part No.	Description	Remark	Ref. No.	Part No.	Description	Remark
Q3000	8-729-142-48	TRANSISTOR	2SD1616-TP-LK				
Q3001	8-729-620-07	TRANSISTOR	2SC3052EF-T1-LEF	R526	1-216-821-11	METAL CHIP	1K 5% 1/10W
				R527	1-216-833-11	METAL CHIP	10K 5% 1/10W
Q3002	8-729-620-07	TRANSISTOR	2SC3052EF-T1-LEF	R528	1-216-833-11	METAL CHIP	10K 5% 1/10W
Q3081	8-729-027-23	TRANSISTOR	DTA114EKA-T146	R529	1-216-821-11	METAL CHIP	1K 5% 1/10W
Q3101	8-729-600-22	TRANSISTOR	2SA1235-F	R530	1-216-809-11	METAL CHIP	100 5% 1/10W
Q3102	8-729-600-22	TRANSISTOR	2SA1235-F				
Q3151	8-729-600-22	TRANSISTOR	2SA1235-F	R531	1-216-833-11	METAL CHIP	10K 5% 1/10W
				R532	1-216-821-11	METAL CHIP	1K 5% 1/10W
Q3152	8-729-600-22	TRANSISTOR	2SA1235-F	R533	1-216-809-11	METAL CHIP	100 5% 1/10W
Q3201	8-729-600-22	TRANSISTOR	2SA1235-F	R534	1-216-833-11	METAL CHIP	10K 5% 1/10W
Q3202	8-729-600-22	TRANSISTOR	2SA1235-F	R535	1-216-809-11	METAL CHIP	100 5% 1/10W
Q3251	8-729-600-22	TRANSISTOR	2SA1235-F				
Q3252	8-729-600-22	TRANSISTOR	2SA1235-F	R536	1-216-864-11	SHORT CHIP	0
				R539	1-216-833-11	METAL CHIP	10K 5% 1/10W
Q3301	8-729-600-22	TRANSISTOR	2SA1235-F	R540	1-216-833-11	METAL CHIP	10K 5% 1/10W
Q3302	8-729-600-22	TRANSISTOR	2SA1235-F	R542	1-216-833-11	METAL CHIP	10K 5% 1/10W
Q3401	8-729-600-22	TRANSISTOR	2SA1235-F	R546	1-216-833-11	METAL CHIP	10K 5% 1/10W
Q3402	8-729-600-22	TRANSISTOR	2SA1235-F				
Q3551	8-729-620-07	TRANSISTOR	2SC3052EF-T1-LEF	R550	1-216-821-11	METAL CHIP	1K 5% 1/10W
				R552	1-216-821-11	METAL CHIP	1K 5% 1/10W
Q3552	8-729-620-07	TRANSISTOR	2SC3052EF-T1-LEF	R553	1-216-833-11	METAL CHIP	10K 5% 1/10W
Q3553	8-729-620-07	TRANSISTOR	2SC3052EF-T1-LEF	R554	1-216-833-11	METAL CHIP	10K 5% 1/10W
Q9724	8-729-026-53	TRANSISTOR	2SA1576A-T106-QR	R555	1-216-833-11	METAL CHIP	10K 5% 1/10W
Q9726	8-729-905-35	TRANSISTOR	2SC4081-R				
Q9728	8-729-905-35	TRANSISTOR	2SC4081-R	R556	1-216-841-11	METAL CHIP	47K 5% 1/10W
				R557	1-216-841-11	METAL CHIP	47K 5% 1/10W
Q9729	8-729-027-43	TRANSISTOR	DTC114EKA-T146	R558	1-216-833-11	METAL CHIP	10K 5% 1/10W
				R559	1-216-833-11	METAL CHIP	10K 5% 1/10W
		< RESISTOR >		R561	1-216-845-11	METAL CHIP	100K 5% 1/10W
R146	1-216-805-11	METAL CHIP	47 5% 1/10W	R562	1-216-841-11	METAL CHIP	47K 5% 1/10W
R501	1-216-857-11	METAL CHIP	1M 5% 1/10W	R563	1-216-833-11	METAL CHIP	10K 5% 1/10W
R502	1-216-809-11	METAL CHIP	100 5% 1/10W	R572	1-218-751-11	METAL CHIP	300K 0.5% 1/10W
R504	1-216-833-11	METAL CHIP	10K 5% 1/10W	R573	1-216-845-11	METAL CHIP	100K 5% 1/10W
			(HDX265: E)	R575	1-216-821-11	METAL CHIP	1K 5% 1/10W
R504	1-216-835-11	METAL CHIP	15K 5% 1/10W				
			(HDX265: AUS)	R576	1-216-821-11	METAL CHIP	1K 5% 1/10W
R504	1-216-841-11	METAL CHIP	47K 5% 1/10W	R577	1-216-841-11	METAL CHIP	47K 5% 1/10W
			(EXCEPT HDX265: E, AUS)	R578	1-216-809-11	METAL CHIP	100 5% 1/10W
R505	1-216-837-11	METAL CHIP	22K 5% 1/10W	R579	1-216-821-11	METAL CHIP	1K 5% 1/10W
			(EXCEPT HDX265: E, AUS)	R580	1-216-809-11	METAL CHIP	100 5% 1/10W
R505	1-216-841-11	METAL CHIP	47K 5% 1/10W	R583	1-216-841-11	METAL CHIP	47K 5% 1/10W
			(HDX265: E, AUS)	R586	1-216-833-11	METAL CHIP	10K 5% 1/10W
R506	1-216-827-11	METAL CHIP	3.3K 5% 1/10W	R587	1-216-833-11	METAL CHIP	10K 5% 1/10W
			(HDX266)	R589	1-216-295-00	SHORT CHIP	0
R506	1-218-867-11	METAL CHIP	6.8K 0.5% 1/10W	R590	1-216-295-00	SHORT CHIP	0
			(HDX265/HDX267W)				
R506	1-216-835-11	METAL CHIP	15K 5% 1/10W	R596	1-216-295-00	SHORT CHIP	0
			(HDX465/HDX466)	R597	1-216-295-00	SHORT CHIP	0
R506	1-216-841-11	METAL CHIP	47K 5% 1/10W	R598	1-216-296-11	SHORT CHIP	0
			(HDX665)	R599	1-216-295-00	SHORT CHIP	0
R507	1-216-841-11	METAL CHIP	47K 5% 1/10W	R601	1-216-864-11	SHORT CHIP	0
R508	1-216-821-11	METAL CHIP	1K 5% 1/10W				
R509	1-216-809-11	METAL CHIP	100 5% 1/10W	R604	1-216-809-11	METAL CHIP	100 5% 1/10W
				R605	1-216-809-11	METAL CHIP	100 5% 1/10W
R510	1-216-833-11	METAL CHIP	10K 5% 1/10W	R606	1-216-809-11	METAL CHIP	100 5% 1/10W
R511	1-216-821-11	METAL CHIP	1K 5% 1/10W	R607	1-216-809-11	METAL CHIP	100 5% 1/10W
R512	1-216-833-11	METAL CHIP	10K 5% 1/10W	R608	1-216-809-11	METAL CHIP	100 5% 1/10W
R513	1-216-821-11	METAL CHIP	1K 5% 1/10W				
R514	1-216-833-11	METAL CHIP	10K 5% 1/10W	R612	1-216-809-11	METAL CHIP	100 5% 1/10W
				R613	1-216-809-11	METAL CHIP	100 5% 1/10W
R515	1-216-821-11	METAL CHIP	1K 5% 1/10W	R614	1-216-809-11	METAL CHIP	100 5% 1/10W
R516	1-216-821-11	METAL CHIP	1K 5% 1/10W	R620	1-216-809-11	METAL CHIP	100 5% 1/10W
R517	1-216-809-11	METAL CHIP	100 5% 1/10W	R621	1-216-809-11	METAL CHIP	100 5% 1/10W
R518	1-216-809-11	METAL CHIP	100 5% 1/10W				
R519	1-216-833-11	METAL CHIP	10K 5% 1/10W	R622	1-216-809-11	METAL CHIP	100 5% 1/10W
				R623	1-216-809-11	METAL CHIP	100 5% 1/10W

# HCD-HDX265/HDX266/HDX267W/HDX465/HDX466/HDX665

**MAIN**

Ref. No.	Part No.	Description		Remark	Ref. No.	Part No.	Description		Remark		
R624	1-216-809-11	METAL CHIP	100	5%	1/10W	R1121	1-216-801-11	METAL CHIP	22	5%	1/10W
R625	1-216-809-11	METAL CHIP	100	5%	1/10W	R1123	1-216-864-11	SHORT CHIP	0		
R631	1-216-833-11	METAL CHIP	10K	5%	1/10W	R1124	1-216-841-11	METAL CHIP	47K	5%	1/10W
R632	1-216-841-11	METAL CHIP	47K	5%	1/10W	R1125	1-216-805-11	METAL CHIP	47	5%	1/10W
R636	1-216-864-11	SHORT CHIP	0			R1132	1-216-845-11	METAL CHIP	100K	5%	1/10W
R637	1-216-809-11	METAL CHIP	100	5%	1/10W	R1133	1-216-864-11	SHORT CHIP	0		
R638	1-216-809-11	METAL CHIP	100	5%	1/10W	R1135	1-216-833-11	METAL CHIP	10K	5%	1/10W
R639	1-216-809-11	METAL CHIP	100	5%	1/10W	R1136	1-216-835-11	METAL CHIP	15K	5%	1/10W
R642	1-216-809-11	METAL CHIP	100	5%	1/10W	R1138	1-216-809-11	METAL CHIP	100	5%	1/10W
R651	1-216-809-11	METAL CHIP	100	5%	1/10W	R1139	1-216-864-11	SHORT CHIP	0		
R652	1-216-809-11	METAL CHIP	100	5%	1/10W	R1140	1-216-833-11	METAL CHIP	10K	5%	1/10W
R653	1-216-809-11	METAL CHIP	100	5%	1/10W	R1141	1-216-855-11	METAL CHIP	680K	5%	1/10W
R654	1-216-809-11	METAL CHIP	100	5%	1/10W	R1142	1-216-845-11	METAL CHIP	100K	5%	1/10W
R655	1-216-809-11	METAL CHIP	100	5%	1/10W	R1145	1-216-864-11	SHORT CHIP	0		
R656	1-216-809-11	METAL CHIP	100	5%	1/10W	R1147	1-216-864-11	SHORT CHIP	0		
R657	1-216-809-11	METAL CHIP	100	5%	1/10W	R1148	1-216-864-11	SHORT CHIP	0		
R658	1-216-809-11	METAL CHIP	100	5%	1/10W	R1151	1-216-833-11	METAL CHIP	10K	5%	1/10W
R659	1-216-809-11	METAL CHIP	100	5%	1/10W	R1152	1-216-864-11	SHORT CHIP	0		
R691	1-216-864-11	SHORT CHIP	0			R1153	1-216-864-11	SHORT CHIP	0		
R692	1-216-864-11	SHORT CHIP	0			R1154	1-216-864-11	SHORT CHIP	0		
R693	1-216-864-11	SHORT CHIP	0			R1155	1-216-864-11	SHORT CHIP	0		
R694	1-216-864-11	SHORT CHIP	0			R1156	1-216-809-11	METAL CHIP	100	5%	1/10W
R695	1-216-864-11	SHORT CHIP	0			R1159	1-216-805-11	METAL CHIP	47	5%	1/10W
R696	1-216-864-11	SHORT CHIP	0			R1160	1-216-805-11	METAL CHIP	47	5%	1/10W
R701	1-216-813-11	METAL CHIP	220	5%	1/10W	R1161	1-216-801-11	METAL CHIP	22	5%	1/10W
R702	1-216-864-11	SHORT CHIP	0			R1169	1-216-833-11	METAL CHIP	10K	5%	1/10W
R721	1-216-864-11	SHORT CHIP	0			R1170	1-216-833-11	METAL CHIP	10K	5%	1/10W
R770	1-216-809-11	METAL CHIP	100	5%	1/10W	R1171	1-216-809-11	METAL CHIP	100	5%	1/10W
R775	1-216-801-11	METAL CHIP	22	5%	1/10W	R1175	1-216-864-11	SHORT CHIP	0		
R776	1-216-801-11	METAL CHIP	22	5%	1/10W	R1183	1-216-805-11	METAL CHIP	47	5%	1/10W
R777	1-216-801-11	METAL CHIP	22	5%	1/10W	R1184	1-216-805-11	METAL CHIP	47	5%	1/10W
R778	1-216-864-11	SHORT CHIP	0			R1185	1-216-805-11	METAL CHIP	47	5%	1/10W
R780	1-216-805-11	METAL CHIP	47	5%	1/10W	R1191	1-216-821-11	METAL CHIP	1K	5%	1/10W
R781	1-216-805-11	METAL CHIP	47	5%	1/10W	R1193	1-216-821-11	METAL CHIP	1K	5%	1/10W
R782	1-216-801-11	METAL CHIP	22	5%	1/10W	R1204	1-216-822-11	METAL CHIP	1.2K	5%	1/10W
R783	1-216-801-11	METAL CHIP	22	5%	1/10W	R1205	1-216-833-11	METAL CHIP	10K	5%	1/10W
R784	1-216-801-11	METAL CHIP	22	5%	1/10W	R1206	1-216-833-11	METAL CHIP	10K	5%	1/10W
R785	1-216-801-11	METAL CHIP	22	5%	1/10W	R1207	1-216-826-11	METAL CHIP	2.7K	5%	1/10W
R786	1-216-295-00	SHORT CHIP	0			R1208	1-216-839-11	METAL CHIP	33K	5%	1/10W
R790	1-216-864-11	SHORT CHIP	0			R1209	1-216-839-11	METAL CHIP	33K	5%	1/10W
R1101	1-216-809-11	METAL CHIP	100	5%	1/10W	R1210	1-216-841-11	METAL CHIP	47K	5%	1/10W
R1102	1-216-295-00	SHORT CHIP	0			R1212	1-216-833-11	METAL CHIP	10K	5%	1/10W
R1103	1-216-864-11	SHORT CHIP	0			R1213	1-218-867-11	METAL CHIP	6.8K	0.5%	1/10W
R1105	1-216-833-11	METAL CHIP	10K	5%	1/10W	R1214	1-216-835-11	METAL CHIP	15K	5%	1/10W
R1106	1-216-833-11	METAL CHIP	10K	5%	1/10W	R1215	1-216-834-11	METAL CHIP	12K	5%	1/10W
R1107	1-216-833-11	METAL CHIP	10K	5%	1/10W	R1216	1-216-834-11	METAL CHIP	12K	5%	1/10W
R1108	1-216-857-11	METAL CHIP	1M	5%	1/10W	R1219	1-216-838-11	METAL CHIP	27K	5%	1/10W
R1109	1-216-864-11	SHORT CHIP	0			R1220	1-216-821-11	METAL CHIP	1K	5%	1/10W
R1110	1-216-841-11	METAL CHIP	47K	5%	1/10W	R1221	1-218-889-11	METAL CHIP	56K	0.5%	1/10W
R1111	1-216-809-11	METAL CHIP	100	5%	1/10W	R1223	1-218-895-11	METAL CHIP	100K	0.5%	1/10W
R1112	1-211-977-11	METAL CHIP	22	0.5%	1/10W	R1224	1-216-833-11	METAL CHIP	10K	5%	1/10W
R1113	1-211-977-11	METAL CHIP	22	0.5%	1/10W	R1225	1-218-895-11	METAL CHIP	100K	0.5%	1/10W
R1114	1-216-845-11	METAL CHIP	100K	5%	1/10W	R1226	1-218-889-11	METAL CHIP	56K	0.5%	1/10W
R1115	1-211-977-11	METAL CHIP	22	0.5%	1/10W	R1230	1-218-893-11	METAL CHIP	82K	0.5%	1/10W
R1116	1-216-821-11	METAL CHIP	1K	5%	1/10W	R1231	1-218-875-11	METAL CHIP	15K	0.5%	1/10W
R1117	1-216-841-11	METAL CHIP	47K	5%	1/10W	R1232	1-218-877-11	METAL CHIP	18K	0.5%	1/10W
R1118	1-216-801-11	METAL CHIP	22	5%	1/10W	R1233	1-218-883-11	METAL CHIP	33K	0.5%	1/10W
R1120	1-216-801-11	METAL CHIP	22	5%	1/10W						

Ref. No.	Part No.	Description			Remark	Ref. No.	Part No.	Description			Remark
R1234	1-216-833-11	METAL CHIP	10K	5%	1/10W						
R1246	1-216-829-11	METAL CHIP	4.7K	5%	1/10W	R2114	1-216-801-11	METAL CHIP	22	5%	1/10W
R1247	1-216-821-11	METAL CHIP	1K	5%	1/10W	R2115	1-216-864-11	SHORT CHIP	0		
						R2118	1-216-833-11	METAL CHIP	10K	5%	1/10W
R1254	1-216-829-11	METAL CHIP	4.7K	5%	1/10W	R2119	1-216-864-11	SHORT CHIP	0		
R1601	1-216-295-00	SHORT CHIP	0			R2126	1-216-827-11	METAL CHIP	3.3K	5%	1/10W
R1602	1-216-295-00	SHORT CHIP	0								
R1603	1-216-295-00	SHORT CHIP	0			R2127	1-216-827-11	METAL CHIP	3.3K	5%	1/10W
R1604	1-216-295-00	SHORT CHIP	0			R2128	1-216-833-11	METAL CHIP	10K	5%	1/10W
						R2129	1-216-845-11	METAL CHIP	100K	5%	1/10W
R1605	1-216-296-11	SHORT CHIP	0			R2133	1-216-864-11	SHORT CHIP	0		
R1606	1-216-295-00	SHORT CHIP	0			R2134	1-216-864-11	SHORT CHIP	0		
R1701	1-216-809-11	METAL CHIP	100	5%	1/10W						
R1702	1-216-864-11	SHORT CHIP	0			R2135	1-216-829-11	METAL CHIP	4.7K	5%	1/10W
R1703	1-216-864-11	SHORT CHIP	0			R2150	1-216-827-11	METAL CHIP	3.3K	5%	1/10W
						R2151	1-216-827-11	METAL CHIP	3.3K	5%	1/10W
R1704	1-216-809-11	METAL CHIP	100	5%	1/10W	R2152	1-216-827-11	METAL CHIP	3.3K	5%	1/10W
R1705	1-216-833-11	METAL CHIP	10K	5%	1/10W	R2161	1-216-809-11	METAL CHIP	100	5%	1/10W
R1706	1-216-864-11	SHORT CHIP	0								
R1707	1-216-864-11	SHORT CHIP	0			R2167	1-216-864-11	SHORT CHIP	0		
R1712	1-216-809-11	METAL CHIP	100	5%	1/10W	R2168	1-216-813-11	METAL CHIP	220	5%	1/10W
						R2169	1-216-809-11	METAL CHIP	100	5%	1/10W
R1713	1-218-841-11	METAL CHIP	560	0.5%	1/10W	R2176	1-216-864-11	SHORT CHIP	0		
R1714	1-216-864-11	SHORT CHIP	0			R2177	1-216-809-11	METAL CHIP	100	5%	1/10W
R1721	1-216-833-11	METAL CHIP	10K	5%	1/10W						
R1722	1-216-833-11	METAL CHIP	10K	5%	1/10W	R2178	1-216-821-11	METAL CHIP	1K	5%	1/10W
R1723	1-216-833-11	METAL CHIP	10K	5%	1/10W	R2179	1-216-809-11	METAL CHIP	100	5%	1/10W
						R2183	1-216-809-11	METAL CHIP	100	5%	1/10W
R1726	1-216-833-11	METAL CHIP	10K	5%	1/10W	R2184	1-216-809-11	METAL CHIP	100	5%	1/10W
R1727	1-216-833-11	METAL CHIP	10K	5%	1/10W	R2185	1-216-809-11	METAL CHIP	100	5%	1/10W
R1728	1-216-864-11	SHORT CHIP	0								
R1730	1-218-840-11	METAL CHIP	510	0.5%	1/10W	R2186	1-216-864-11	SHORT CHIP	0		
R1731	1-216-864-11	SHORT CHIP	0			R2187	1-216-805-11	METAL CHIP	47	5%	1/10W
						R2191	1-216-809-11	METAL CHIP	100	5%	1/10W
R1734	1-216-864-11	SHORT CHIP	0			R2505	1-216-864-11	SHORT CHIP	0		
R1736	1-216-864-11	SHORT CHIP	0			R2705	1-216-821-11	METAL CHIP	1K	5%	1/10W
R1738	1-216-864-11	SHORT CHIP	0								
R1740	1-216-864-11	SHORT CHIP	0			R2706	1-216-821-11	METAL CHIP	1K	5%	1/10W
R1742	1-216-841-11	METAL CHIP	47K	5%	1/10W	R2711	1-208-635-11	METAL CHIP	10	0.5%	1/16W
						R2712	1-208-635-11	METAL CHIP	10	0.5%	1/16W
R1744	1-216-829-11	METAL CHIP	4.7K	5%	1/10W	R2713	1-208-635-11	METAL CHIP	10	0.5%	1/16W
R1746	1-216-864-11	SHORT CHIP	0			R2714	1-208-635-11	METAL CHIP	10	0.5%	1/16W
R1747	1-216-864-11	SHORT CHIP	0								
R1748	1-216-864-11	SHORT CHIP	0			R2715	1-208-635-11	METAL CHIP	10	0.5%	1/16W
R1749	1-216-824-11	METAL CHIP	1.8K	5%	1/10W	R2716	1-208-635-11	METAL CHIP	10	0.5%	1/16W
						R2717	1-208-635-11	METAL CHIP	10	0.5%	1/16W
R1750	1-216-824-11	METAL CHIP	1.8K	5%	1/10W	R2718	1-208-635-11	METAL CHIP	10	0.5%	1/16W
R1751	1-216-864-11	SHORT CHIP	0			R2751	1-216-833-11	METAL CHIP	10K	5%	1/10W
R1752	1-216-864-11	SHORT CHIP	0								
R1753	1-216-864-11	SHORT CHIP	0			R3001	1-216-833-11	METAL CHIP	10K	5%	1/10W
R1756	1-216-864-11	SHORT CHIP	0			R3002	1-216-833-11	METAL CHIP	10K	5%	1/10W
						R3003	1-216-823-11	METAL CHIP	1.5K	5%	1/10W
R1757	1-216-833-11	METAL CHIP	10K	5%	1/10W	R3004	1-216-822-11	METAL CHIP	1.2K	5%	1/10W
R1758	1-216-833-11	METAL CHIP	10K	5%	1/10W	R3006	1-216-825-11	METAL CHIP	2.2K	5%	1/10W
R1759	1-216-833-11	METAL CHIP	10K	5%	1/10W						
R1783	1-216-864-11	SHORT CHIP	0			R3011	1-216-817-11	METAL CHIP	470	5%	1/10W
R1784	1-216-864-11	SHORT CHIP	0			R3012	1-216-817-11	METAL CHIP	470	5%	1/10W
						R3013	1-216-833-11	METAL CHIP	10K	5%	1/10W
R1785	1-216-864-11	SHORT CHIP	0			R3014	1-216-801-11	METAL CHIP	22	5%	1/10W
R1786	1-216-864-11	SHORT CHIP	0			R3015	1-216-809-11	METAL CHIP	100	5%	1/10W
R1788	1-216-864-11	SHORT CHIP	0								
R1791	1-216-864-11	SHORT CHIP	0			R3017	1-216-819-11	METAL CHIP	680	5%	1/10W
R1793	1-216-864-11	SHORT CHIP	0			R3021	1-216-817-11	METAL CHIP	470	5%	1/10W
						R3022	1-216-817-11	METAL CHIP	470	5%	1/10W
R2101	1-218-855-11	METAL CHIP	2.2K	0.5%	1/10W	R3023	1-216-801-11	METAL CHIP	22	5%	1/10W
R2104	1-216-829-11	METAL CHIP	4.7K	5%	1/10W	R3024	1-216-809-11	METAL CHIP	100	5%	1/10W
R2107	1-216-833-11	METAL CHIP	10K	5%	1/10W						
R2110	1-216-826-11	METAL CHIP	2.7K	5%	1/10W	R3026	1-216-819-11	METAL CHIP	680	5%	1/10W
R2113	1-216-833-11	METAL CHIP	10K	5%	1/10W	R3031	1-216-817-11	METAL CHIP	470	5%	1/10W

# HCD-HDX265/HDX266/HDX267W/HDX465/HDX466/HDX665

**MAIN**

Ref. No.	Part No.	Description		Remark	Ref. No.	Part No.	Description		Remark
R3032	1-216-817-11	METAL CHIP	470	5%	1/10W				
R3033	1-216-833-11	METAL CHIP	10K	5%	1/10W	R3103	1-216-864-11	SHORT CHIP	0
R3034	1-216-801-11	METAL CHIP	22	5%	1/10W	R3104	1-216-864-11	SHORT CHIP	0
						R3107	1-216-835-11	METAL CHIP	15K 5% 1/10W
R3035	1-216-809-11	METAL CHIP	100	5%	1/10W	R3115	1-216-864-11	SHORT CHIP	0
R3037	1-216-819-11	METAL CHIP	680	5%	1/10W	R3116	1-216-864-11	SHORT CHIP	0
R3040	1-216-864-11	SHORT CHIP	0						
R3041	1-216-864-11	SHORT CHIP	0			R3125	1-216-845-11	METAL CHIP	100K 5% 1/10W
R3042	1-216-864-11	SHORT CHIP	0			R3126	1-216-845-11	METAL CHIP	100K 5% 1/10W
						R3127	1-216-845-11	METAL CHIP	100K 5% 1/10W
R3043	1-216-864-11	SHORT CHIP	0			R3151	1-216-809-11	METAL CHIP	100 5% 1/10W
R3044	1-216-864-11	SHORT CHIP	0			R3152	1-216-809-11	METAL CHIP	100 5% 1/10W
R3045	1-216-864-11	SHORT CHIP	0						
R3046	1-216-864-11	SHORT CHIP	0			R3153	1-216-864-11	SHORT CHIP	0
R3050	1-216-864-11	SHORT CHIP	0			R3154	1-216-864-11	SHORT CHIP	0
						R3157	1-216-835-11	METAL CHIP	15K 5% 1/10W
R3051	1-216-097-11	RES-CHIP	100K	5%	1/10W	R3165	1-216-864-11	SHORT CHIP	0
R3052	1-216-857-11	METAL CHIP	1M	5%	1/10W	R3166	1-216-864-11	SHORT CHIP	0
R3053	1-216-809-11	METAL CHIP	100	5%	1/10W				
R3054	1-216-801-11	METAL CHIP	22	5%	1/10W	R3175	1-216-845-11	METAL CHIP	100K 5% 1/10W
R3055	1-216-809-11	METAL CHIP	100	5%	1/10W	R3176	1-216-845-11	METAL CHIP	100K 5% 1/10W
						R3177	1-216-845-11	METAL CHIP	100K 5% 1/10W
R3057	1-216-809-11	METAL CHIP	100	5%	1/10W	R3201	1-216-809-11	METAL CHIP	100 5% 1/10W
R3059	1-216-833-11	METAL CHIP	10K	5%	1/10W	R3202	1-216-809-11	METAL CHIP	100 5% 1/10W
R3060	1-216-833-11	METAL CHIP	10K	5%	1/10W				
R3061	1-216-864-11	SHORT CHIP	0			R3203	1-216-864-11	SHORT CHIP	0
R3062	1-216-809-11	METAL CHIP	100	5%	1/10W	R3204	1-216-864-11	SHORT CHIP	0
						R3207	1-216-835-11	METAL CHIP	15K 5% 1/10W
R3063	1-216-821-11	METAL CHIP	1K	5%	1/10W	R3215	1-216-864-11	SHORT CHIP	0
R3064	1-216-821-11	METAL CHIP	1K	5%	1/10W	R3216	1-216-864-11	SHORT CHIP	0
R3065	1-216-809-11	METAL CHIP	100	5%	1/10W				
R3066	1-216-809-11	METAL CHIP	100	5%	1/10W	R3225	1-216-845-11	METAL CHIP	100K 5% 1/10W
R3067	1-216-809-11	METAL CHIP	100	5%	1/10W	R3226	1-216-845-11	METAL CHIP	100K 5% 1/10W
						R3227	1-216-845-11	METAL CHIP	100K 5% 1/10W
R3068	1-216-809-11	METAL CHIP	100	5%	1/10W	R3251	1-216-809-11	METAL CHIP	100 5% 1/10W
R3069	1-216-809-11	METAL CHIP	100	5%	1/10W	R3252	1-216-809-11	METAL CHIP	100 5% 1/10W
R3070	1-216-809-11	METAL CHIP	100	5%	1/10W				
R3071	1-216-809-11	METAL CHIP	100	5%	1/10W	R3253	1-216-864-11	SHORT CHIP	0
R3072	1-216-809-11	METAL CHIP	100	5%	1/10W	R3254	1-216-864-11	SHORT CHIP	0
						R3257	1-216-835-11	METAL CHIP	15K 5% 1/10W
R3073	1-216-809-11	METAL CHIP	100	5%	1/10W	R3265	1-216-864-11	SHORT CHIP	0
R3074	1-216-809-11	METAL CHIP	100	5%	1/10W	R3266	1-216-864-11	SHORT CHIP	0
R3075	1-216-809-11	METAL CHIP	100	5%	1/10W				
R3076	1-216-809-11	METAL CHIP	100	5%	1/10W	R3275	1-216-845-11	METAL CHIP	100K 5% 1/10W
R3077	1-216-809-11	METAL CHIP	100	5%	1/10W	R3276	1-216-845-11	METAL CHIP	100K 5% 1/10W
						R3277	1-216-845-11	METAL CHIP	100K 5% 1/10W
R3078	1-216-809-11	METAL CHIP	100	5%	1/10W	R3301	1-216-809-11	METAL CHIP	100 5% 1/10W
R3079	1-216-809-11	METAL CHIP	100	5%	1/10W	R3302	1-216-809-11	METAL CHIP	100 5% 1/10W
R3080	1-216-845-11	METAL CHIP	100K	5%	1/10W				
R3085	1-216-839-11	METAL CHIP	33K	5%	1/10W	R3303	1-216-864-11	SHORT CHIP	0
R3086	1-216-839-11	METAL CHIP	33K	5%	1/10W	R3304	1-216-864-11	SHORT CHIP	0
						R3307	1-216-835-11	METAL CHIP	15K 5% 1/10W
R3087	1-216-833-11	METAL CHIP	10K	5%	1/10W	R3315	1-216-864-11	SHORT CHIP	0
R3088	1-216-833-11	METAL CHIP	10K	5%	1/10W	R3316	1-216-864-11	SHORT CHIP	0
R3089	1-216-833-11	METAL CHIP	10K	5%	1/10W				
R3090	1-216-833-11	METAL CHIP	10K	5%	1/10W	R3325	1-216-845-11	METAL CHIP	100K 5% 1/10W
R3091	1-216-837-11	METAL CHIP	22K	5%	1/10W	R3326	1-216-845-11	METAL CHIP	100K 5% 1/10W
						R3327	1-216-845-11	METAL CHIP	100K 5% 1/10W
R3092	1-216-837-11	METAL CHIP	22K	5%	1/10W	R3401	1-216-809-11	METAL CHIP	100 5% 1/10W
R3093	1-216-837-11	METAL CHIP	22K	5%	1/10W				(EXCEPT HDX266)
R3094	1-216-837-11	METAL CHIP	22K	5%	1/10W	R3402	1-216-809-11	METAL CHIP	100 5% 1/10W
R3095	1-216-827-11	METAL CHIP	3.3K	5%	1/10W				(EXCEPT HDX266)
R3096	1-216-829-11	METAL CHIP	4.7K	5%	1/10W				
R3097	1-216-809-11	METAL CHIP	100	5%	1/10W	R3403	1-216-864-11	SHORT CHIP	0
R3098	1-216-839-11	METAL CHIP	33K	5%	1/10W	R3404	1-216-864-11	SHORT CHIP	0
R3099	1-216-839-11	METAL CHIP	33K	5%	1/10W	R3407	1-216-835-11	METAL CHIP	15K 5% 1/10W
R3101	1-216-809-11	METAL CHIP	100	5%	1/10W	R3415	1-216-864-11	SHORT CHIP	0
R3102	1-216-809-11	METAL CHIP	100	5%	1/10W	R3416	1-216-864-11	SHORT CHIP	0

# HCD-HDX265/HDX266/HDX267W/HDX465/HDX466/HDX665

MAIN
PW-SW
SPEAKER

Ref. No.	Part No.	Description				Remark	Ref. No.	Part No.	Description				Remark
R3425	1-216-845-11	METAL CHIP	100K	5%	1/10W		R9928	1-216-837-11	METAL CHIP	22K	5%	1/10W	
R3426	1-216-845-11	METAL CHIP	100K	5%	1/10W		R9929	1-216-837-11	METAL CHIP	22K	5%	1/10W	
R3427	1-216-845-11	METAL CHIP	100K	5%	1/10W		R9934	1-216-833-11	METAL CHIP	10K	5%	1/10W	
R3501	1-216-809-11	METAL CHIP	100	5%	1/10W								
R3502	1-216-809-11	METAL CHIP	100	5%	1/10W		R9935	1-216-864-11	SHORT CHIP	0			
R3503	1-216-864-11	SHORT CHIP	0 (EXCEPT HDX266)				R9941	1-216-838-11	METAL CHIP	27K	5%	1/10W	
R3504	1-216-864-11	SHORT CHIP	0 (EXCEPT HDX266)				R9945	1-216-813-11	METAL CHIP	220	5%	1/10W	
R3507	1-216-835-11	METAL CHIP	15K	5%	1/10W				< COMPOSITION CIRCUIT BLOCK >				
			(EXCEPT HDX266)										
R3515	1-216-864-11	SHORT CHIP	0 (EXCEPT HDX266)				RB1103	1-234-371-21	RES, NETWORK	47	(1005X4)		
R3516	1-216-864-11	SHORT CHIP	0 (EXCEPT HDX266)				RB1104	1-234-371-21	RES, NETWORK	47	(1005X4)		
							RB1105	1-234-371-21	RES, NETWORK	47	(1005X4)		
R3551	1-216-845-11	METAL CHIP	100K	5%	1/10W		RB1106	1-234-371-21	RES, NETWORK	47	(1005X4)		
R3552	1-216-837-11	METAL CHIP	22K	5%	1/10W		RB1107	1-234-371-21	RES, NETWORK	47	(1005X4)		
R3553	1-216-833-11	METAL CHIP	10K	5%	1/10W								
R3554	1-216-845-11	METAL CHIP	100K	5%	1/10W		RB1108	1-234-371-21	RES, NETWORK	47	(1005X4)		
R3555	1-216-864-11	SHORT CHIP	0				RB1109	1-234-400-21	CONDUCTOR, NETWORK	(1005X4)			
							RB1110	1-234-400-21	CONDUCTOR, NETWORK	(1005X4)			
R3556	1-216-829-11	METAL CHIP	4.7K	5%	1/10W		RB1111	1-234-371-21	RES, NETWORK	47	(1005X4)		
R3557	1-216-845-11	METAL CHIP	100K	5%	1/10W		RB1112	1-234-400-21	CONDUCTOR, NETWORK	(1005X4)			
R3558	1-216-833-11	METAL CHIP	10K	5%	1/10W								
R3901	1-216-296-11	SHORT CHIP	0				RB1113	1-234-400-21	CONDUCTOR, NETWORK	(1005X4)			
R3902	1-216-296-11	SHORT CHIP	0				RB1114	1-234-371-21	RES, NETWORK	47	(1005X4)		
							RB1115	1-234-371-21	RES, NETWORK	47	(1005X4)		
R3905	1-216-296-11	SHORT CHIP	0				RB1116	1-234-371-21	RES, NETWORK	47	(1005X4)		
R3906	1-216-296-11	SHORT CHIP	0				RB1117	1-234-371-21	RES, NETWORK	47	(1005X4)		
R3907	1-216-864-11	SHORT CHIP	0										
R3911	1-216-864-11	SHORT CHIP	0				RB1701	1-234-378-21	RES, NETWORK	10K	(1005X4)		
R3912	1-216-864-11	SHORT CHIP	0				RB1702	1-234-378-21	RES, NETWORK	10K	(1005X4)		
							RB1711	1-234-400-21	CONDUCTOR, NETWORK	(1005X4)			
R3913	1-216-864-11	SHORT CHIP	0				RB1712	1-234-400-21	CONDUCTOR, NETWORK	(1005X4)			
R3914	1-216-864-11	SHORT CHIP	0										
R3917	1-216-864-11	SHORT CHIP	0						< TERMINAL >				
R3918	1-216-864-11	SHORT CHIP	0										
R3919	1-216-864-11	SHORT CHIP	0				TB3901	1-780-453-11	TERMINAL BOARD (SPEAKER) 2P (SPEAKER)				
R3920	1-216-864-11	SHORT CHIP	0 (EXCEPT HDX266)						< VIBRATOR >				
R3921	1-216-864-11	SHORT CHIP	0 (EXCEPT HDX266)										
R4002	1-216-864-11	SHORT CHIP	0				X501	1-795-058-21	VIBRATOR, CERAMIC	(5MHz)			
R4501	1-216-801-11	METAL CHIP	22	5%	1/10W		X1101	1-795-630-11	VIBRATOR, CRYSTAL	(27MHz)			
R4502	1-216-801-11	METAL CHIP	22	5%	1/10W		X3051	1-795-660-21	QUARTZ CRYSTAL UNIT	(49.152MHz)			
							*****						
R4510	1-216-805-11	METAL CHIP	47	5%	1/10W								
R4511	1-216-801-11	METAL CHIP	22	5%	1/10W				PW-SW BOARD				
R4512	1-216-864-11	SHORT CHIP	0						*****				
R4514	1-216-805-11	METAL CHIP	47	5%	1/10W				< SWITCH >				
R4515	1-216-805-11	METAL CHIP	47	5%	1/10W								
R4516	1-216-805-11	METAL CHIP	47	5%	1/10W		S920	1-771-349-41	SWITCH, KEYBOARD (I/C)				
R4517	1-216-864-11	SHORT CHIP	0				*****						
R4519	1-216-864-11	SHORT CHIP	0						SPEAKER BOARD				
R4521	1-216-864-11	SHORT CHIP	0						*****				
R4701	1-216-864-11	SHORT CHIP	0						< CAPACITOR >				
R4702	1-216-864-11	SHORT CHIP	0				C780	1-163-021-11	CERAMIC CHIP	0.01uF	10%	50V	
R4703	1-216-864-11	SHORT CHIP	0				C781	1-162-964-11	CERAMIC CHIP	0.001uF	10%	50V	
R4704	1-216-864-11	SHORT CHIP	0				C782	1-163-021-11	CERAMIC CHIP	0.01uF	10%	50V	
R4705	1-216-864-11	SHORT CHIP	0				C783	1-162-964-11	CERAMIC CHIP	0.001uF	10%	50V	
R4706	1-216-864-11	SHORT CHIP	0				C784	1-163-021-11	CERAMIC CHIP	0.01uF	10%	50V	
R4717	1-216-864-11	SHORT CHIP	0				C785	1-162-964-11	CERAMIC CHIP	0.001uF	10%	50V	
R4718	1-216-864-11	SHORT CHIP	0				C786	1-163-021-11	CERAMIC CHIP	0.01uF	10%	50V	
R4805	1-216-801-11	METAL CHIP	22	5%	1/10W		C787	1-162-964-11	CERAMIC CHIP	0.001uF	10%	50V	
R9918	1-216-821-11	METAL CHIP	1K	5%	1/10W		C788	1-163-021-11	CERAMIC CHIP	0.01uF	10%	50V	
R9920	1-216-864-11	SHORT CHIP	0				C789	1-162-964-11	CERAMIC CHIP	0.001uF	10%	50V	
R9922	1-216-833-11	METAL CHIP	10K	5%	1/10W								
R9924	1-216-821-11	METAL CHIP	1K	5%	1/10W								

# HCD-HDX265/HDX266/HDX267W/HDX465/HDX466/HDX665

## SPEAKER

<u>Ref. No.</u>	<u>Part No.</u>	<u>Description</u>			<u>Remark</u>
C790	1-163-021-11	CERAMIC CHIP	0.01uF	10%	50V
C791	1-162-964-11	CERAMIC CHIP	0.001uF	10%	50V
C792	1-163-021-11	CERAMIC CHIP	0.01uF	10%	50V
C793	1-162-964-11	CERAMIC CHIP	0.001uF	10%	50V
C794	1-163-021-11	CERAMIC CHIP	0.01uF	10%	50V
C795	1-162-964-11	CERAMIC CHIP	0.001uF	10%	50V
		< CONNECTOR >			
* CN780	1-564-523-11	PLUG, CONNECTOR 8P			
		< TERMINAL >			
TB780	1-780-454-11	TERMINAL BOARD (SPEAKER) 4P (SPEAKER)			

MEMO



