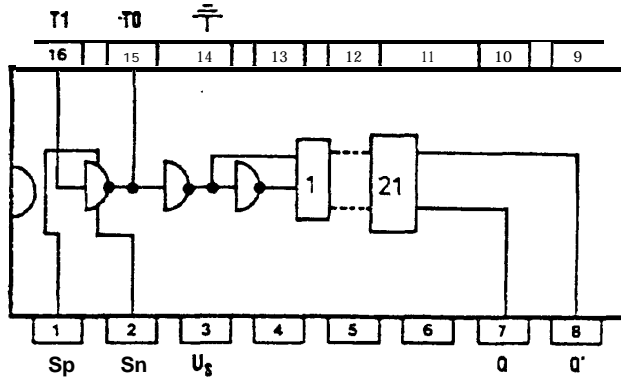


21-stufiger Zähler  
 21-Stage Counter  
 Compteur à 21 étages  
 Contatore a 21 stadi  
 Contador de 21 pasos

CMOS 4045

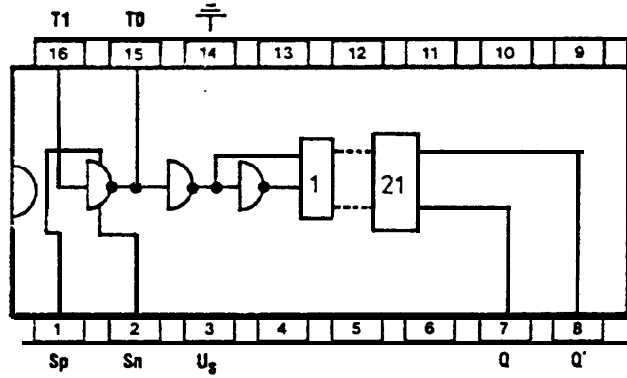
GRENZDATEN

KENNDATEN



TYP Type Type Tipo Tipo	Hersteller Manufact. Fabricants Produttori Fabricantes	B Sec 3	TU		U <sub>dd</sub>		P <sub>to</sub> ma:	U <sub>dd</sub>	U <sub>IL</sub> \$U <sub>NL</sub>	U <sub>IH</sub> \$U <sub>N</sub>	I <sub>dd</sub> typ	t <sub>TR</sub>			t <sub>PD</sub>		
			min	max	min	max						ns <sub>typ</sub> (\$ns <sub>max</sub> )			ns <sub>typ</sub> (\$ns <sub>max</sub> )		
			°C	°C	V	V	mV	V	v min	v max	μA	Pin	↓	↑	Pin	↓	↑
4045BDC	FCH	6b	-25	85	-0.5	+18	40c	5 10 15	1.5 3 4	3.5 7 11							
4045BDM	FCH	6b	-55	155	-0.5	+18	40c	5 10 15	1.5 3 4	3.5 7 11							
4045BFC	FCH	16b	-25	85	-0.5	+18	40c	5 10 15	1.5 3 4	3.5 7 11							
4045BFM	FCH	16b	-55	155	-0.5	+18	40c	5 10 15	1.5 3 4	3.5 7 11							
4045BPC	FCH	6a	-25	85	-0.5	+18	40c	5 10 15	1.5 3 4	3.5 7 11							
CD 4045 AD	RCA	6c	-55	155	-0.5	+15	20c	5 10	\$1.5 \$3	\$1.5 \$3	0.5 1	Q 450 Q 375	450 375	T-Q 2200 T-Q 1200	2200 1200		
CD 4045 AE	RCA	6a	-25	85	-0.5	+15	20c	5 10	\$1.5 \$3	\$1.5 \$3	1 2	Q 450 Q 375	450 375	T-Q 2200 T-Q 1200	2200 1200		
CD 4045 AF	RCA	6b	-55	155	-0.5	+15	200	5 10	\$1.5 \$3	\$1.5 \$3	0.5 1	Q 450 Q 375	450 375	T-Q 2200 T-Q 1200	2200 1200		
CD 4045 AH	RCA	ch	-55	155	-0.5	+15		5 10	\$1.5 \$3	\$1.5 \$3	0.5 1	Q 450 Q 375	450 375	T-Q 2200 T-Q 1200	2200 1200		
CD 4045 AK	RCA	16b	-55	155	-0.5	+15		5 10	\$1.5 \$3	\$1.5 \$3	0.5 1	Q 450 Q 375	450 375	T-Q 2200 T-Q 1200	2200 1200		
CD 4045 BD	RCA	6c	-55	155	-0.5	+20	200	5 10 15	1.5 3 4	3.5 7 11	40n 40n 40n	Q 25 Q 13 Q 10	25 13 10	T-Q 2200 T-Q 900 T-Q 650	2200 900 650		
CD 4045 BE	RCA	6a	-25	85	-0.5	+20	200	5 10 15	1.5 3 4	3.5 7 11	40n 40n 40n	Q 25 Q 13 Q 10	25 13 10	T-Q 2200 T-Q 900 T-Q 650	2200 900 650		
CD 4045 BF	RCA	6b	-55	155	-0.5	+20	200	5 10 15	1.5 3 4	3.5 7 11	40n 40n 40n	Q 25 Q 13 Q 10	25 13 10	T-Q 2200 T-Q 900 T-Q 650	2200 900 650		
CD 4045 BH	RCA	ch	-55	155	-0.5	+20		5 10 15	1.5 3 4	3.5 7 11	40n 40n 40n	Q 25 Q 13 Q 10	25 13 10	T-Q 2200 T-Q 900 T-Q 650	2200 900 650		

21 -stufiger Zähler  
 21-Stage Counter  
 Compteur à 21 étages  
 Contatore a 21 stadi  
 Contador de 21 pasos



CMOS 4045

GRENZDATEN

KENNDATEN

Typ Type Tipo	Hersteller Manufact. Fabricants Produttore Fabricantes	B Sec. 3	T <sub>U</sub>		U <sub>dd</sub>		P <sub>tot</sub> max	U <sub>dd</sub>	U <sub>IL</sub> U <sub>NL</sub>	U <sub>IH</sub> U <sub>NH</sub>	I <sub>dd</sub> typ	t <sub>TR</sub>			t <sub>PD</sub>		
			min	max	min	max						ns <sub>typ</sub> (\$ns <sub>max</sub> )		ns <sub>typ</sub> (\$ns <sub>max</sub> )			
			°C	°C	V	V	mW	V	V	V	μA	Pin	↓	↑	Pin	↓	↑
CD 4045 BK	ISCA	16b	-55	155	-0.5	+20		5 10 15	1.5 3 4	3.5 7 11	40n 40n 40n	Q	25	25	T→Q	2200	2200
HCC 4045 BD	SGS	6c	-55	155	-0.5	+20	200	5 10 15	1.5 3 4	3.5 7 11	40n 40n 40n	Q	25	25	T→Q	2200	2200
HCC 4045 BF	SGS	6b	-55	155	-0.5	+20	200	5 10 15	1.5 3 4	3.5 7 11	40n 40n 40n	Q	25	25	T→Q	2200	2200
HCC 4045 BK	SGS	16b	-55	155	-0.5	+20	200	5 10 15	1.5 3 4	3.5 7 11	40n 40n 40n	Q	25	25	T→Q	2200	2200
HCF 4045 BE	SGS	6a	-25	85	-0.5	+20	200	5 10 15	1.5 3 4	3.5 7 11	40n 40n 40n	Q	25	25	T→Q	2200	2200
HCF 4045 BF	SGS	6b	-25	85	-0.5	+20	200	5 10 15	1.5 3 4	3.5 7 17	40n 40n 40n	Q	25	25	T→Q	2200	2200

## 4045

21-bit asynchronous binary counter with oscillator and reset input.

Only two 3% duty cycle Outputs (180° out of phase) from the last counter stage

are available. Can be used to generate a 1Hz clock signal using a 2.097152MHz

crystal. P and N MOSFET source connections from the oscillator inverter are

brought out of the package to allow the use of source resistors, but usually

pS=VCC and nS=GND.

pS	1	+	---	+	16	X1
nS	2				15	xO
vcc	3				14	GND
	4				13	
	5		4045		12	
	6				11	
QA	7				10	
QB	8				9	

[This information is part of the GIICM]