

Data Sheet



Description

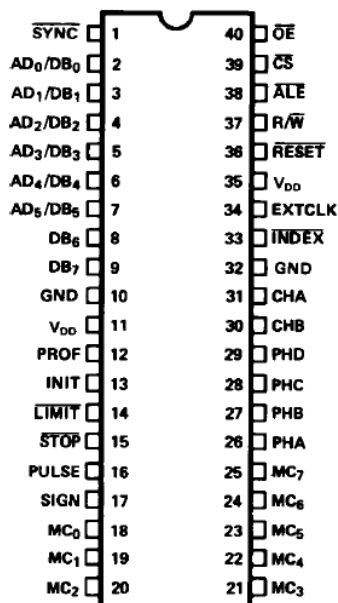
The HCTL-1101 series is a high performance, general purpose motion control IC, fabricated in Avago CMOS technology. It frees the host processor for other tasks by performing all the time-intensive functions of digital motion control. The programmability of all control parameters provides maximum flexibility and quick design of control systems with a minimum number of components. In addition to the HCTL-1101, the complete control system consists of a host processor to specify commands, an amplifier, and a motor with an incremental encoder (such as the HEDS-5XXX, -6XXX, -9XXX series). No analog compensation or velocity feedback is necessary.

Note: HCTL-1101 series are a pin-to-pin and functionality compatible with the HCTL-1100 series. Customers are advised to evaluate the HCTL-1101 series for their production use.

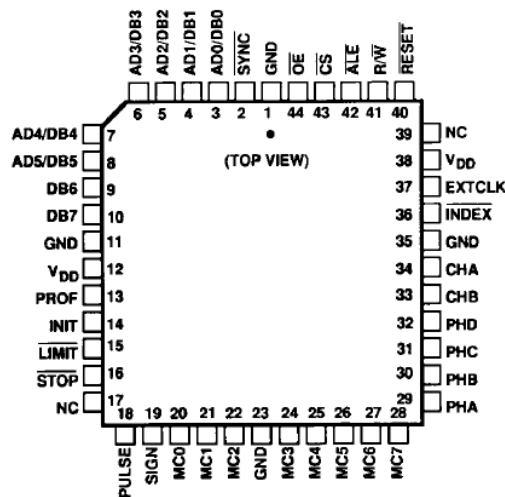
Features

- Low Power CMOS
- PDIP and PLCC Versions Available
- DC, DC Brushless, and Step Motor Control
- Position and Velocity Control
- Programmable Digital Filter and Commutator
- 8-Bit Parallel, and PWM Motor Command Ports
- TTL Compatible
- SYNC Pin for Coordinating Multiple HCTL-1101 ICs
- 100 kHz to 2 MHz Operation
- Encoder Input Port.

Pinout



HCTL-1101:
40 Pin DIP Package



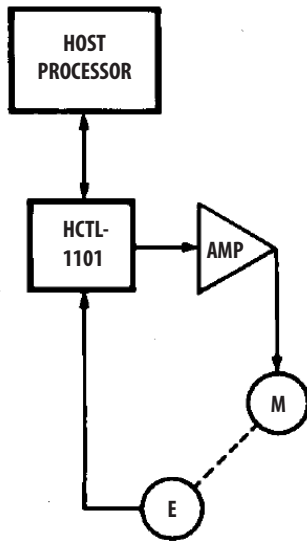
HCTL-1101-PLC:
44 Pin PLCC Package

Applications

Typical applications for the HCTL-1101 include printers, medical instruments, material handling machines, and industrial automation.

ESD WARNING: NORMAL HANDLING PRECAUTIONS SHOULD BE TAKEN TO AVOID STATIC DISCHARGE.

System Block Diagram



Description	HCTL-1101
Max. Supply Current	30 mA
Max. Power Dissipation	165 mW
Max. Tri-State Output Leakage Current	5 μ A
Operating Frequency	100 kHz-2 MHz
Operating Temperature Range	-20°C to +85°C
Storage Temperature Range	-55°C to +125°C
Synchronize 2 or More ICs	Yes
Preset Actual Position Registers	Yes
Read Flag Register	Yes
LIMIT and STOP Pins	Must be pulled up to VDD if not used.
Hard Reset	Required
PLCC Package Available	Yes

Theory of Operations

The HCTL-1101 is a general purpose motor controller which provides position and velocity control for DC, DC brushless and stepper motors. The internal block diagram of the HCTL-1101 is shown in Figure 1. The HCTL-1101 receives its input commands from a host processor and position feedback from an incremental encoder with quadrature output. An 8-bit bi-directional multiplexed address/data bus interfaces the HCTL-1101 to the host processor. The encoder feedback is decoded into quadrature counts and a 24-bit counter keeps track of position. The HCTL-1101 executes any one of four control algorithms selected by the user.

The four control modes are:

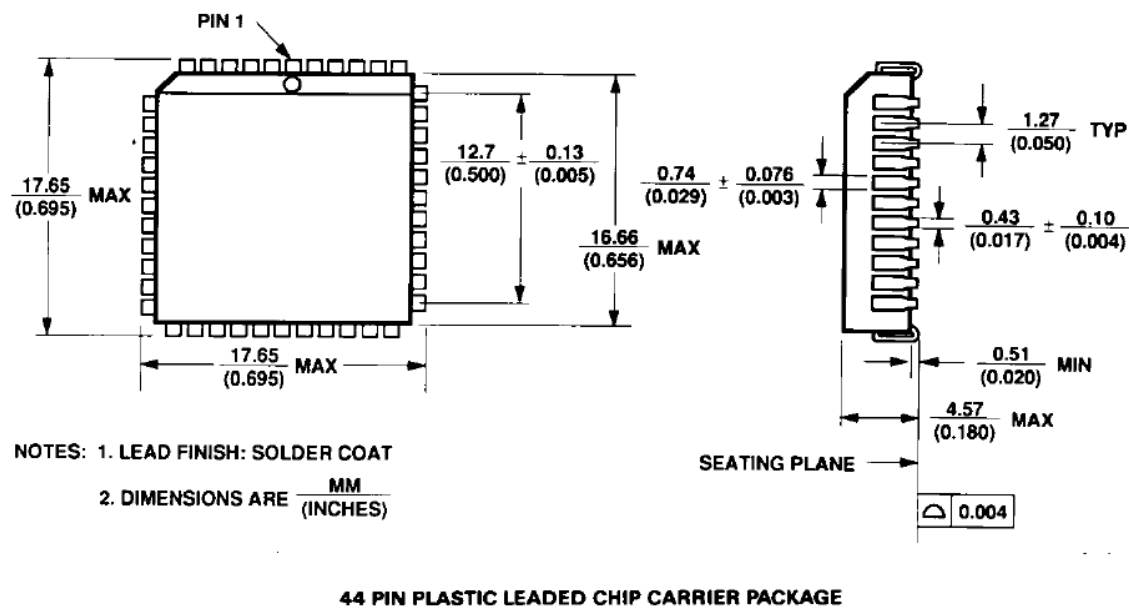
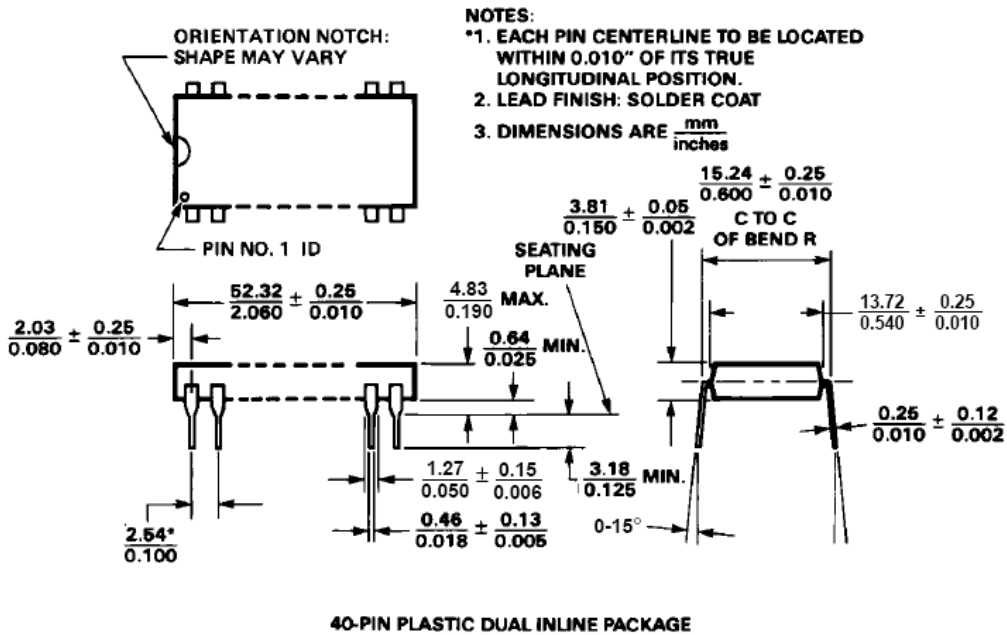
- Position Control
- Proportional Velocity Control
- Trapezoidal Profile Control for point to point moves
- Integral Velocity Control with continuous velocity profiling using linear acceleration.

The resident Position Profile Generator calculates the necessary profiles for Trapezoidal Profile Control and Integral Velocity Control. The HCTL-1101 compares the desired position (or velocity) to the actual position (or velocity) to compute compensated motor commands using a programmable digital filter D(z). The motor command is externally available at the Motor Command port as an 8-bit byte and at the PWM port as a Pulse Width Modulated (PWM) signal.

The HCTL-1101 has the capability of providing electronic commutation for DC brushless and stepper motors. Using the encoder position information, the motor phases are enabled in the correct sequence. The commutator is fully programmable to encompass most motor/encoder combinations. In addition, phase overlap and phase advance can be programmed to improve torque ripple and high speed performance. The HCTL-1101 contains a number of flags including two externally available flags, Profile and Initialization, which allow the user to see or check the status of the controller. It also has two emergency inputs, LIMIT and STOP, which allow operation of the HCTL-1101 to be interrupted under emergency conditions.

The HCTL-1101 controller is a digitally sampled data system. While information from the host processor is accepted asynchronously with respect to the control functions, the motor command is computed on a discrete sample time basis. The sample timer is programmable.

Package Dimensions



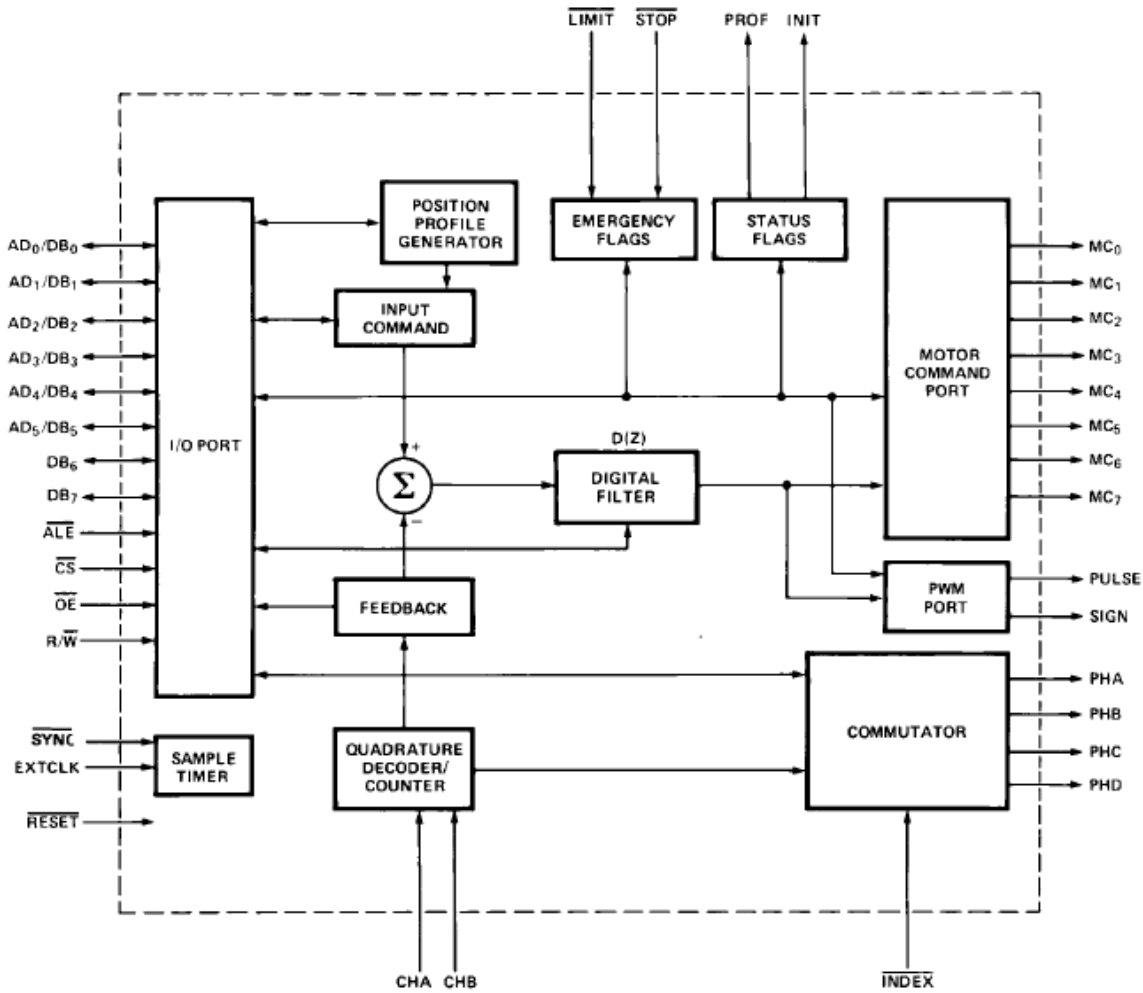


Figure 1. Internal Block Diagram.

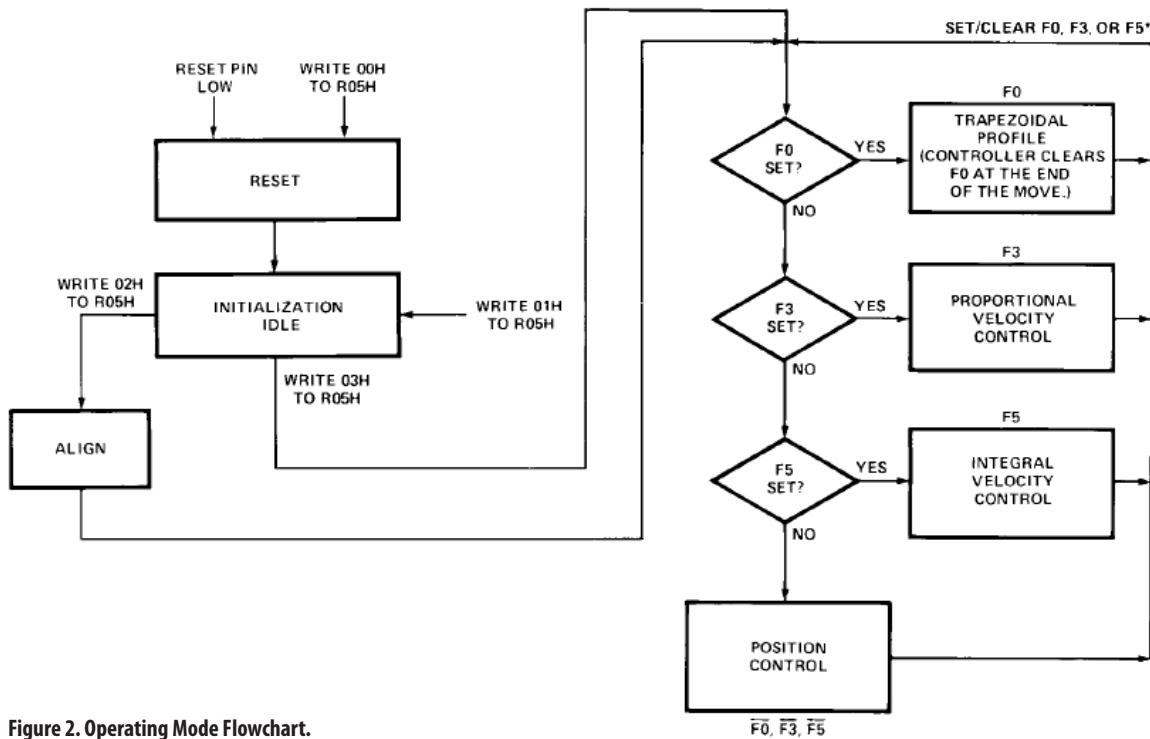


Figure 2. Operating Mode Flowchart.

Electrical Specification

Parameter	Symbol	Min.	Typ.	Max.	Units
Operating Temperature	T_A	-20		85	°C
Storage Temperature	T_S	-55		125	°C
Supply Voltage	V_{DD}	-0.3		7	V
Input Voltage	V_{IN}	-0.3		$V_{DD} + 0.3$	V
Maximum Operating Clock Frequency	f_{CLK}		2		Mhz

DC Electrical Characteristics

$V_{DD} = 5\text{ V} \pm 5\%$; $T_A = -20^\circ\text{C}$ to $+85^\circ\text{C}$

Parameter	Symbol	Min.	Typ.	Max.	Units	Test Conditions
Supply Voltage	V_{DD}	4.75	5.00	5.25	V	
Supply Current	I_{DD} / I_{OP}		15	30	mA	
Input Leakage Current	I_{IN}		10	100	nA	$V_{IN} = 0.00$ and 5.25 V
Input Pull-Up Current (ALE, CS, OE, INDEX, RESET)	I_{UP}			-150	μA	$V_{IN} = 0.00\text{ V}$
Tristate Output Leakage Current (ADDB/DB)	I_{OZ}			5	μA	$V_{OUT} = -0.3$ to 5.25
Input Low Voltage	V_{IL}	-0.3		0.8	V	
Input High Voltage	V_{IH}	2.0		V_{DD}	V	
Output Low Voltage	V_{OL}	-0.3		0.4	V	$I_{OL} = 2.2\text{ mA}$, $V_{DD} = 4.5\text{V}$
Output High Voltage	V_{OH}	2.4		V_{DD}	V	$I_{OH} = -200\ \mu\text{A}$, $V_{DD} = 4.5\text{V}$
Power Dissipation	P_D			165	mW	
Input Capacitance	C_{IN}			20	pF	
Output Capacitance	C_{OUT}		100		pF	

AC Electrical Characteristics

VDD = 5V + 5%; TA = -200C to +850C; Units + nsec

ID #	Signal	Symbol	Clock Frequency				Formula*	
			2 MHz		1 MHz		Min.	Max.
			Min.	Max.	Min.	Max.		
1	Clock Period (clk)	t _{CPER}	500		1000			
2	Pulse Width, Clock High	t _{CPWH}	230		300			
3	Pulse Width, Clock Low	t _{CPWL}	200		200		200	
4	Clock Rise and Fall Time	t _{CR}		20		20		20
5	Input Pulse Width $\overline{\text{RESET}}$	t _{IRST}	2500		5000		5 clk	
6	Input Pulse Width $\overline{\text{STOP}}$, $\overline{\text{LIMIT}}$	t _{IP}	600		1100		1 clk + 100 ns	
7	Input Pulse Width $\overline{\text{INDEX}}$	t _{IX}	1600		3100		3 clk + 100 ns	
8	Input Pulse Width CHA, CHB	t _{IAB}	1600		3100		3 cl + 100 ns	
9	Delay CHA to CHB Transition	t _{AB}	600		1100		1 clk + 100 ns	
10	Input Rise/Fall Time (CHA, CHB, INDEX)	t _{IABR}		150		300		300(clk < 1 MHz)
11	Input Rise/Fall Time $\overline{\text{RESET}}$, $\overline{\text{ALE}}$, $\overline{\text{CS}}$, $\overline{\text{OE}}$, $\overline{\text{STOP}}$, $\overline{\text{LIMIT}}$	t _{IR}		20		20		20
12	Input Pulse Width $\overline{\text{ALE}}$, $\overline{\text{CS}}$	t _{IPW}	80		80		80	
13	Delay Time, $\overline{\text{ALE}}$ Rise to $\overline{\text{CS}}$ Rise	t _{CA}	50		50		50	
14	Address Setup Time Before $\overline{\text{ALE}}$ Fall/Rise	t _{ASR1}	20		20		20	
15	Address Setup Time Before $\overline{\text{CS}}$ Fall/Rise	t _{ASR}	20		20		20	
16	Write Data Setup Time Before $\overline{\text{CS}}$ Rise	t _{DSR}	20		20		20	
17	Address/Data Hold Time	t _H	20		20		20	
18	Setup Time, $\overline{\text{R/W}}$ Before $\overline{\text{CS}}$ Rise	t _{WCS}	20		20		20	
19	Hold Time, $\overline{\text{R/W}}$ After $\overline{\text{CS}}$ Rise	t _{WH}	20		20		20	
20	Delay Time, Write Cycle, $\overline{\text{CS}}$ Rise to $\overline{\text{ALE}}$ Fall	t _{CSAL}	1700		3400		3.4 clk	
21	Delay Time, Read/Write, $\overline{\text{CS}}$ Rise to $\overline{\text{CS}}$ Fall	t _{CSCS}	1500		3000		3 clk	
22	Write Cycle, $\overline{\text{ALE}}$ Fall to $\overline{\text{ALE}}$ Fall For Next Write	t _{WC}	1850		3700		3.7 clk	
23	Delay Time, $\overline{\text{CS}}$ Rise to $\overline{\text{OE}}$ Fall	t _{CSOE}	1700		3200		3 clk + 200 ns	
24	Delay Time, $\overline{\text{OE}}$ Fall to Data Bus Valid	t _{OE DB}	100		100		100	
25	Input Pulse Width $\overline{\text{OE}}$	t _{IPWOE}		100		100		100
26	Hold Time, Data Held After $\overline{\text{OE}}$ Rise	t _{DOEH}		20		20		20
27	Delay Time, Read Cycle, $\overline{\text{CS}}$ Rise to $\overline{\text{ALE}}$ Fall	t _{CSALR}	1820		3320		3 clk + 320 ns	
28	Read Cycle, $\overline{\text{ALE}}$ Fall to $\overline{\text{ALE}}$ Fall For Next Read	t _{RC}	1950		3450		3 clk + 450 ns	
29	Output Pulse Width, PROF, INIT, Pulse, Sign, PHA-PHD, MC Port	t _{OF}	500		1000		1 clk	
30	Output Rise/Fall Time, PROF, INIT, Pulse, Sign, PHA-PHD, MC Port	t _{OR}	10	100	20	150	10	150
31	Delay Time, Clock Rise to Output Rise (PROF,INIT,PULSE,SIGN,PHASE)	t _{EP}		300		300		300
32	Pulse Width, $\overline{\text{SYNC}}$ Low	t _{SYNC}	9000		18000		18 clk	

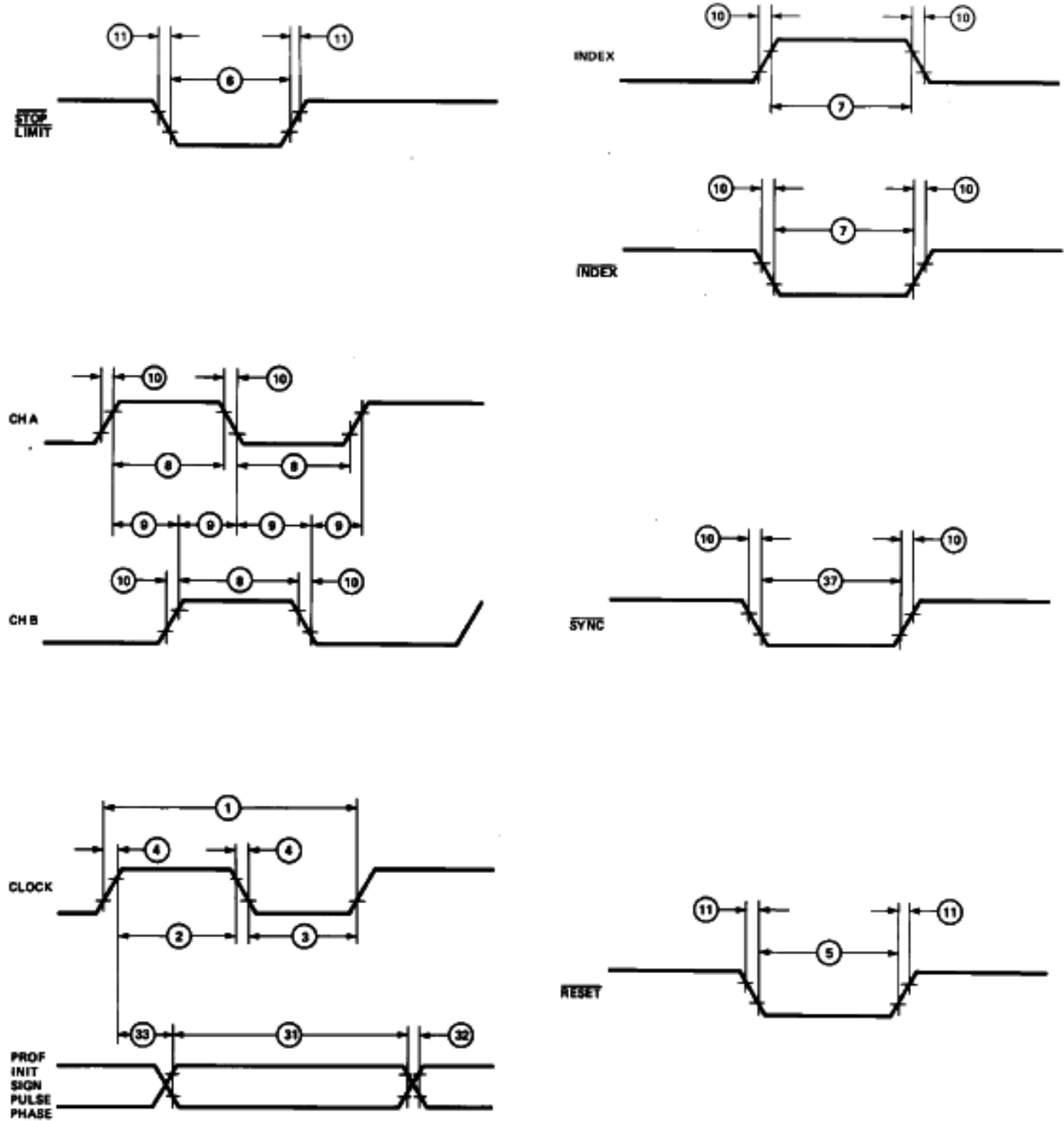
Note:

*General formula for determining AC characteristics for other clock frequencies (clk), between 100 kHz and 2 MHz.

HCTL-1101 I/O Timing Diagrams

Input logic level values are the TTL Logic levels $V_{IL} = 0.8\text{ V}$ and $V_{IH} = 2.0\text{ V}$.

Output logic levels are $V_{OL} = 0.4\text{ V}$ and $V_{OH} = 2.4\text{ V}$.

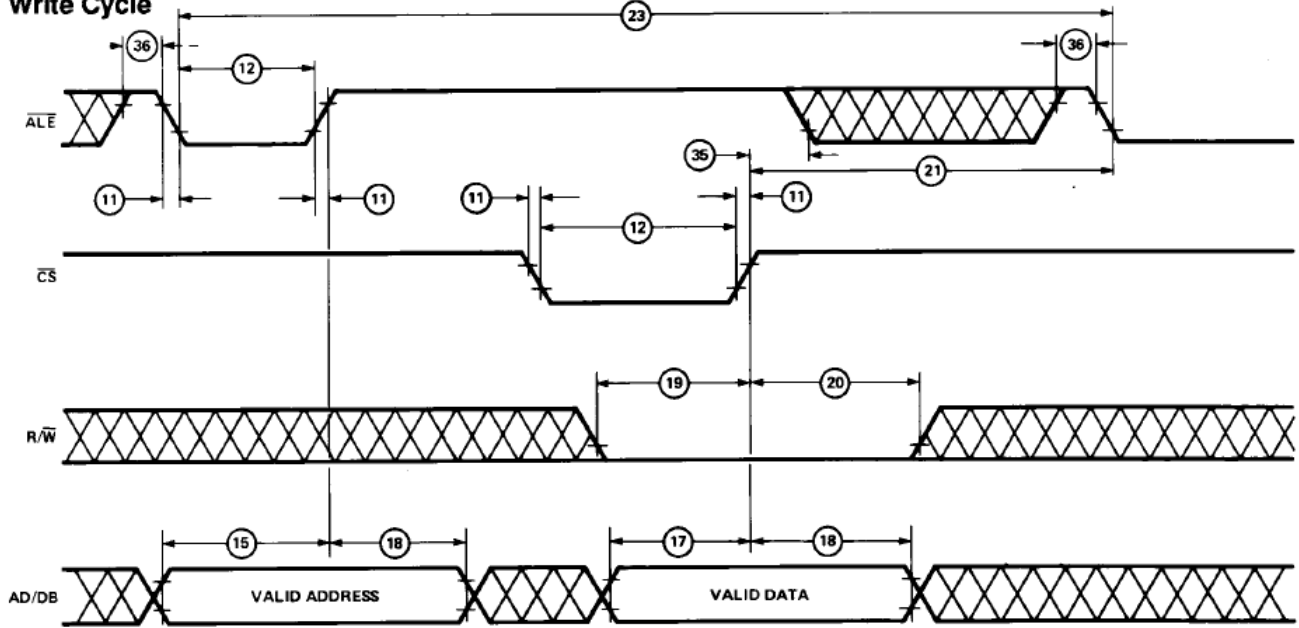


HCTL-1101 I/O Timing Diagrams

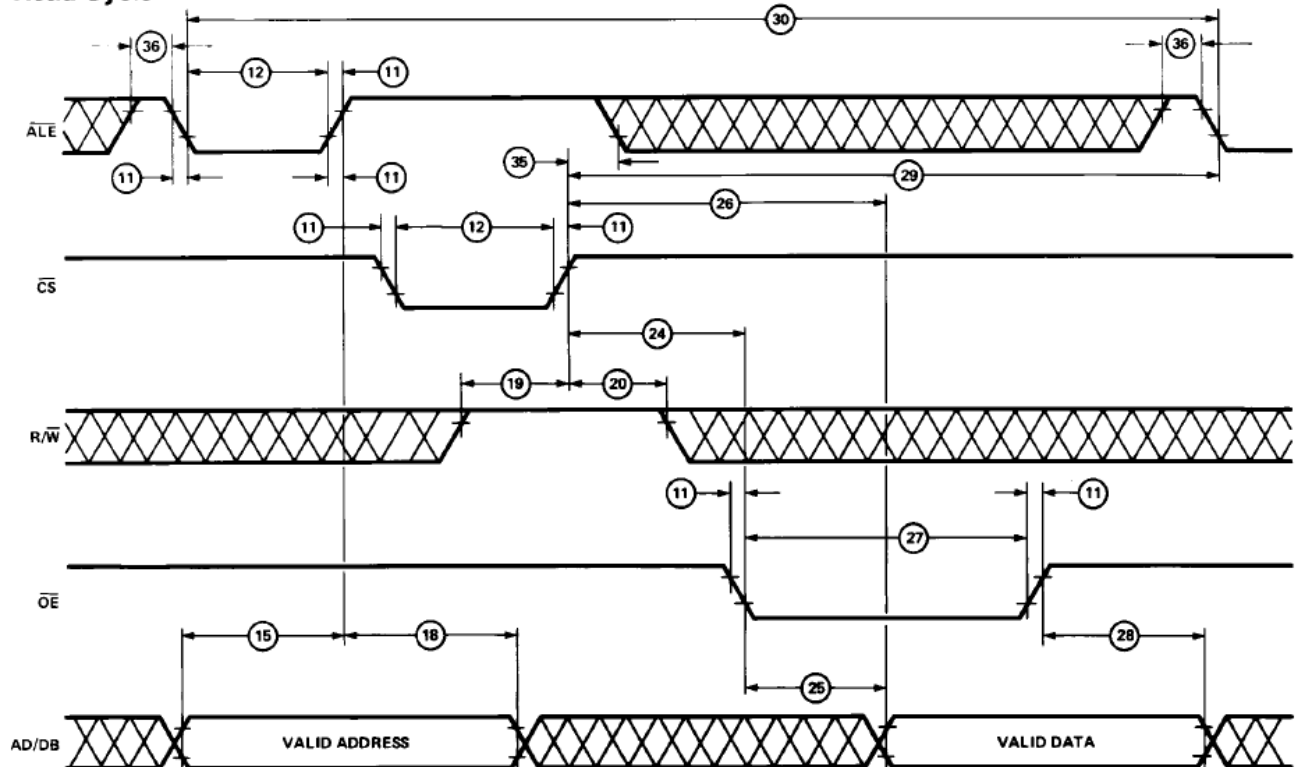
There are three different timing configurations which can be used to give the user flexibility to interface the HCTL-1101 to most microprocessors. See the I/O interface section for more details.

$\overline{ALE}/\overline{CS}$ NON OVERLAPPED

Write Cycle



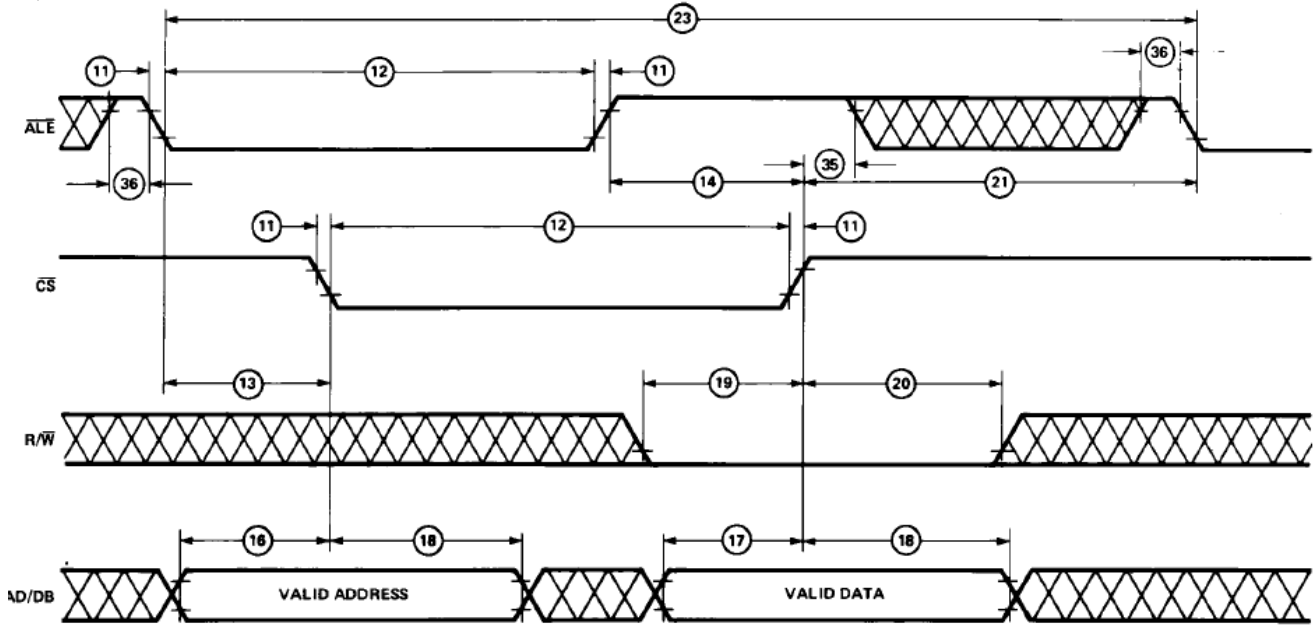
Read Cycle



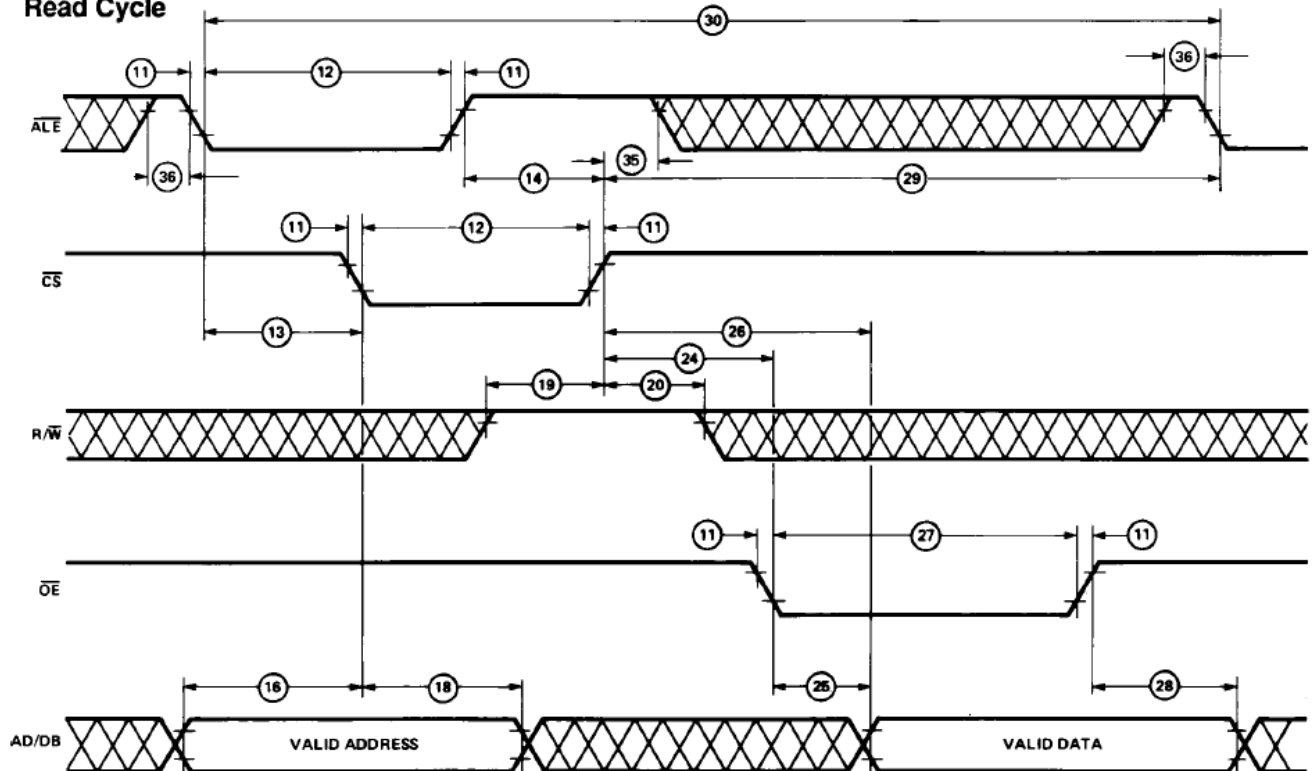
HCTL-1101 I/O Timing Diagrams

$\overline{ALE}/\overline{CS}$ OVERLAPPED

Write Cycle



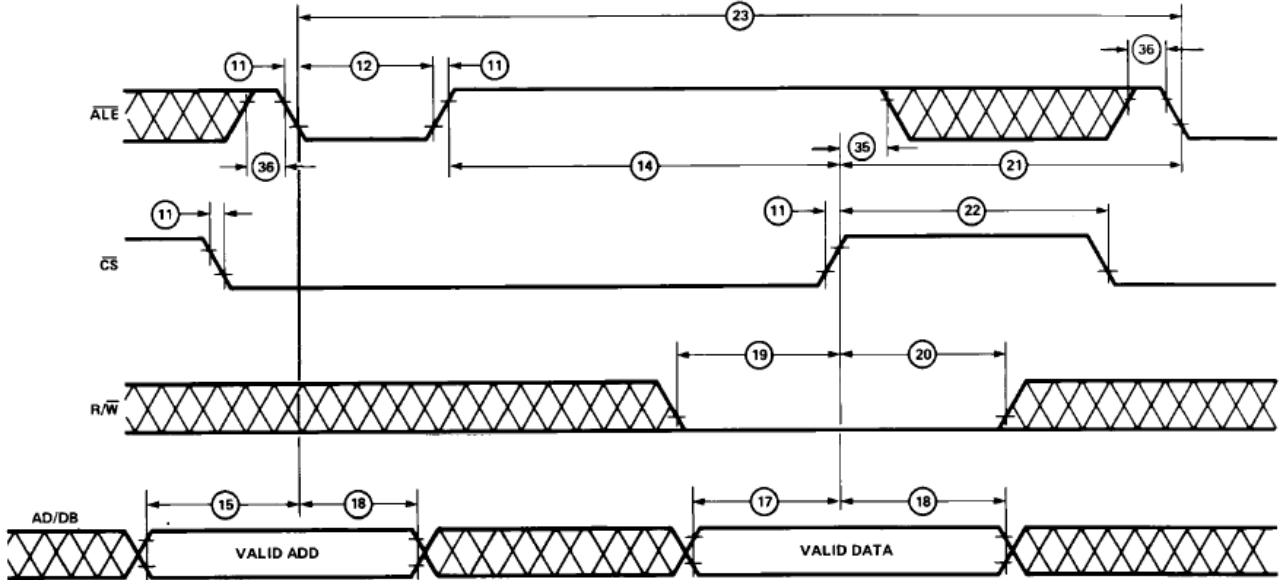
Read Cycle



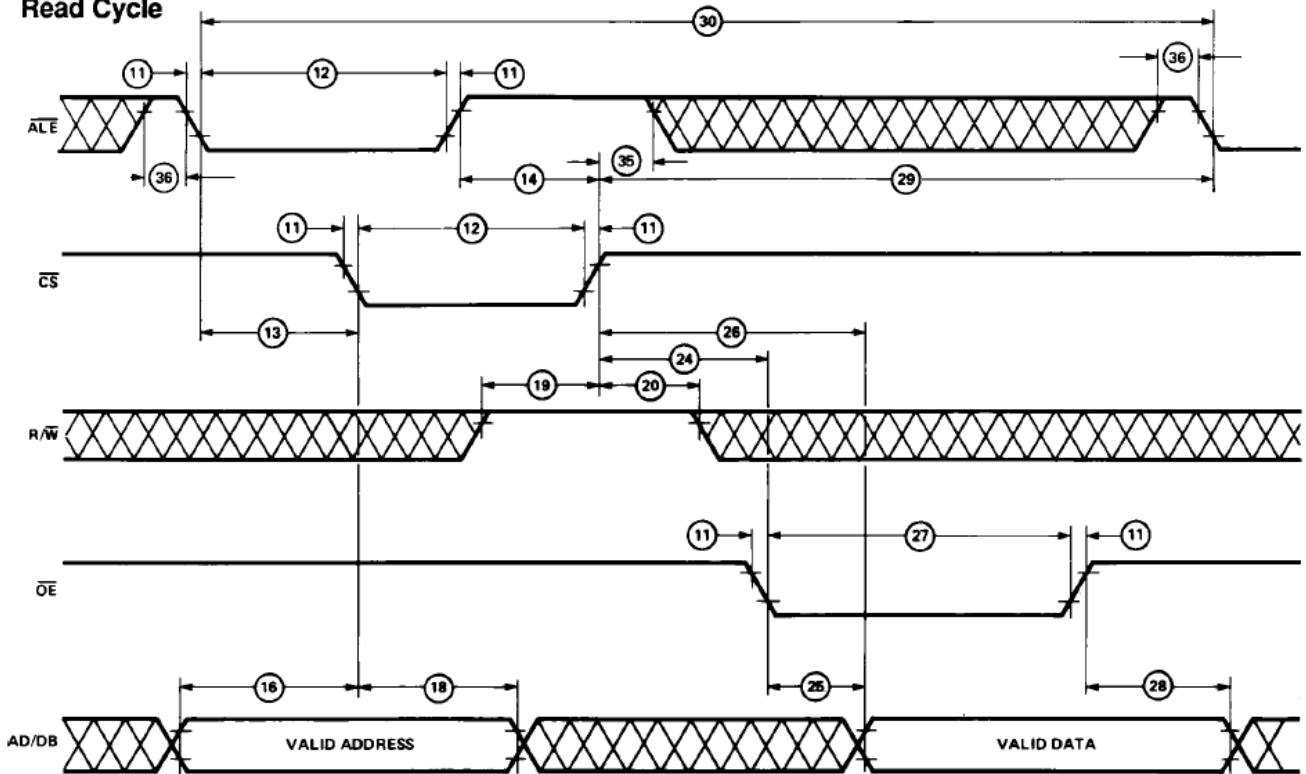
HCTL-1101 I/O Timing Diagrams

$\overline{\text{ALE}}$ WITHIN $\overline{\text{CS}}$

Write Cycle



Read Cycle



Pin Descriptions and Functions

Input/Output Pins

Symbol	Pin Number		Description
	PDIP	PLCC	
AD0/DB00- AD5/DB5	2-7	3-8	Address/Data Bus – Lower 6 bits of 8-bit I/O port which are multiplexed between address and data.
DB6, DB7	8, 9	9, 10	Data bus – Upper 2 bits of 8-bit I/O port used for data only.

Input Signals

Symbol	Pin Number		Description
	PDIP	PLCC	
CHA/CHB	31, 30	34, 33	Channel A, B – Input pins for position feedback from an incremental shaft encoder. Two channels, A and B, 90 degrees out of phase are required.
$\overline{\text{INDEX}}$	33	36	$\overline{\text{INDEX}}$ Pulse – Input from the reference or $\overline{\text{INDEX}}$ pulse of an incremental encoder. Used only in conjunction with the Commutator. Either a low or high true signal can be used with the $\overline{\text{INDEX}}$ pin. See Timing Diagrams and Encoder Interface section for more detail.
$\overline{\text{R/W}}$	37	41	Read/Write – Determines direction of data exchange for the I/O port.
$\overline{\text{ALE}}$	38	42	Address Latch Enable – Enables lower 6 bits of external data bus into internal address latch.
$\overline{\text{CS}}$	39	43	Chip Select – Performs I/O operation dependent on status of $\overline{\text{R/W}}$ line. For a Write, the external bus data is written into the internal addressed location. For Read, data is read from an internal location into an internal output latch.
$\overline{\text{OE}}$	40	44	Output Enable – Enables the data in the internal output latch onto the external data bus to complete a Read operation.
$\overline{\text{LIMIT}}$	14	15	$\overline{\text{LIMIT}}$ Switch – An internal flag which when externally set, triggers an unconditional branch to the Initialization/Idle mode before the next control sample is executed. Motor Command is set to zero. Status of the $\overline{\text{LIMIT}}$ flag is monitored in the Status register.
$\overline{\text{STOP}}$	15	16	$\overline{\text{STOP}}$ Flag – An internal flag that is externally set. When flag is set during Integral Velocity Control mode, the Motor Command is decelerated to a stop.
$\overline{\text{RESET}}$	36	40	$\overline{\text{RESET}}$ – A hard reset of internal circuitry and a branch to Reset mode.
ExtClk	34	37	External Clock
V _{DD}	11, 35	12, 38	Voltage Supply – Both V _{DD} pins must be connected to a 5.0 volt supply.
GND	10, 32	1, 11, 23, 35	Circuit Ground
$\overline{\text{SYNC}}$	1	2	Used to synchronize multiple HCTL-1101 sample timers.
NC	–	17, 39	Not connected. These pins should be left floating.

Output Signal

Symbol	Pin Number		Description
	PDIP	PLCC	
MC0-MC7	18-25	20-22, 24-28	Motor Command Port – 8-bit output port which contains the digital motor command adjusted for easy bipolar DAC interfacing. MC7 is the most significant bit (MSB).
Pulse	16	18	Pulse – Pulse width modulated signal whose duty cycle is proportional to the Motor Command magnitude. The frequency of the signal is External Clock/100 and pulse width is resolved into 100 external clocks.
Sign	17	19	Sign – Gives the sign/direction of the pulse signal.
PHA-PHD	26-29	29-32	Phase A, B, C, D – Phase Enable outputs of the Commutator.
Prof	12	13	Profile Flag – Status flag which indicates that the controller is executing a profiled position move in the Trapezoidal Profile Control mode.
Init	13	14	Initialization/Idle Flag – Status flag which indicates that the controller is in the Initialization/Idle mode.

PIN Functionality

$\overline{\text{SYNC}}$ Pin

The $\overline{\text{SYNC}}$ pin is used to synchronize two or more ICs. It is only valid in the INIT/IDLE mode (see operating the HCTL-1101). When this pin is pulled low, the internal sample timer is cleared and held to zero. When the level on the pin is returned to high, the internal sample timer instantly starts counting down from the programmed value.

Connecting all $\overline{\text{SYNC}}$ pins together in the system and pulsing the $\overline{\text{SYNC}}$ signal from the host processor will synchronize all controllers.

$\overline{\text{LIMIT}}$ Pin

This emergency-flag input is used to disable the control modes of the HCTL-1101. A low level on this input pin causes the internal $\overline{\text{LIMIT}}$ flag to be set. If this pin is NOT used, it must be pulled up to V_{DD} . If it is not connected, the pin could float low, and possibly trigger a false emergency condition.

The $\overline{\text{LIMIT}}$ flag, when set in any control mode, causes the HCTL-1101 to go into the Initialization/Idle mode, clearing the Motor Command and causing an immediate motor shutdown. When the $\overline{\text{LIMIT}}$ flag is set, none of the three control mode flags (F0, F3, or F5) are cleared as the HCTL-1101 enters the Initialization/Idle mode. The user should be aware that these flags are still set before commanding the HCTL-1101 to re-enter one of the four control modes from Initialization/Idle mode. In general, the user should clear all control mode flags after the $\overline{\text{LIMIT}}$ pin has been pulled low, then proceed.

$\overline{\text{STOP}}$ Pin

The $\overline{\text{STOP}}$ flag affects the HCTL-1101 only in the Integral Velocity Mode.

When a low level is present on this emergency-flag input, the internal $\overline{\text{STOP}}$ flag is set. If this pin is NOT used, it must be pulled up to V_{DD} . If it is not connected, the pin could float low, and possibly trigger a false emergency condition.

When the $\overline{\text{STOP}}$ flag is set, the system will come to a decelerated stop and stay in this mode with a command velocity of zero until the Stop flag is cleared and a new command velocity is specified.

Notes on $\overline{\text{LIMIT}}$ and $\overline{\text{STOP}}$ Flags

$\overline{\text{STOP}}$ and $\overline{\text{LIMIT}}$ flags are set by a low level input at their respective pins. The flags can only be cleared when the input to the corresponding pin goes high, signifying that the emergency condition has been corrected, AND a write to the Status register (R07H) is executed. That is, after the emergency pin has been set and cleared, the flag also must be cleared by writing to R07H. Any word that is written to R07H after the emergency pin is set and cleared will clear the emergency flag. The lower four bits of that word will also reconfigure the Status register.

Encoder Input Pins (CHA, CHB, INDEX)

The HCTL-1101 accepts TTL compatible outputs from 2 and 3 channel incremental encoders such as the HEDS-5XXX, 6XXX, and 9XXX series encoders. Channels A and B are internally decoded into quadrature counts which increment or decrement the 24-bit position counter. For example, a 500-count encoder is decoded into 2000 quadrature counts per revolution. The position counter will be incremented when Channel B leads Channel A. The INDEX channel is used only for the Commutator and its function is to serve as a reference point for the internal Ring Counter.

The HCTL-1101 employs an internal 3-bit state delay filter to remove any noise spikes from the encoder inputs to the HCTL-1101. This 3-bit state delay filter requires the encoder inputs to remain stable for three consecutive clock rising edges for an encoder pulse to be considered valid by the HCTL-1101's actual position counter (i.e., an encoder pulse must remain at a logic level high or low for three consecutive clock rising edges for the HCTL-1101's actual position counter to be incremented or decremented.) The designer should therefore generally avoid creating the encoder pulses of less than 3 clock cycles.

The INDEX signal of an encoder is used in conjunction with the Commutator. It resets the internal ring counter which keeps track of the rotor position so that no cumulative errors are generated. The INDEX pin of the HCTL-1101 also has a 3-bit filter on its input. The INDEX pin is active low and level transition sensitive. It detects a valid high-to-low transition and qualifies the low input level through the 3-bit filter. At this point, the INDEX signal is internally detected by the commutator logic. This type of configuration allows an INDEX signal to be used to generate the reference mark for commutator operation as long as the AC specifications for the INDEX signal are met.

Motor Command Port (MCOMC7)

The 8-bit Motor Command port consists of register R08H whose data goes directly to external pins MC0-MC7. MC7 is the most significant bit. R08H can be read and written to; however, it should be written to only during the Initialization/Idle mode. During any of the four Control modes, the controller writes the motor command into R08H.

This topic is further discussed in the "Register Section" under "Motor Command Register R08H".

Pulse Width Modulation (PWM) Output Port (Pulse, Sign).

The PWM port consists of the Pulse and Sign pins. The PWM port outputs the motor command as a pulse width modulated signal with the correct polarity. This topic is further discussed in the "Register Section" under "PWM Motor Command Register R09H".

Trapezoid Profile Pin (Prof)

The Trapezoid Profile Pin is internally connected to software flag bit 4 in the Status Register. This flag is also represented by bit 0 in the Flag Register (R00H). See the "Register Section" for more information. Both the Pin and the Flag indicate the status of a trapezoid profile move. When the HCTL-1101 begins a trapezoid move, this flag is set by the controller (a high level appears on the pin), indicating the move is in progress. When the HCTL-1101 finishes the move, this flag is cleared by the controller.

Note that the instant the flag is cleared may not be the same instant the motor stops. The flag indicates the completion of the command profile, not the actual profile. If the motor is stalled during the move, or cannot physically keep up with the move, the flag will be cleared before the move is finished.

INIT/IDLE Pin (INIT)

This pin indicates that the HCTL-1101 is in the INIT/IDLE mode, waiting to begin control. This pin is internally connected to the software flag bit 5 in the Status Register R07H. This flag is also represented by bit 1 in the Flag Register (R00H) (See the "Register Section" for more information).

Commutator Pins (PHA-PHD)

These pins are connected only when using the commutator of the HCTL-1101 to drive a brushless motor or step motor. The four pins can be programmed to energize each winding on a multiphase motor.

Operations of the HCTL-1101

Registers

The HCTL-1101 operation is controlled by a bank of 64 8-bit registers, 35 of which are user accessible. These registers contain command and configuration information necessary to properly run the controller chip. The 35 user-accessible registers are listed in Tables 1 and 2. The regis-

ter number is also the address. A functional block diagram of the HCTL-1101 which shows the role of the user-accessible registers is also included in Figure 3. The other 29 registers are used by the internal CPU as scratch registers and should not be accessed by the user.

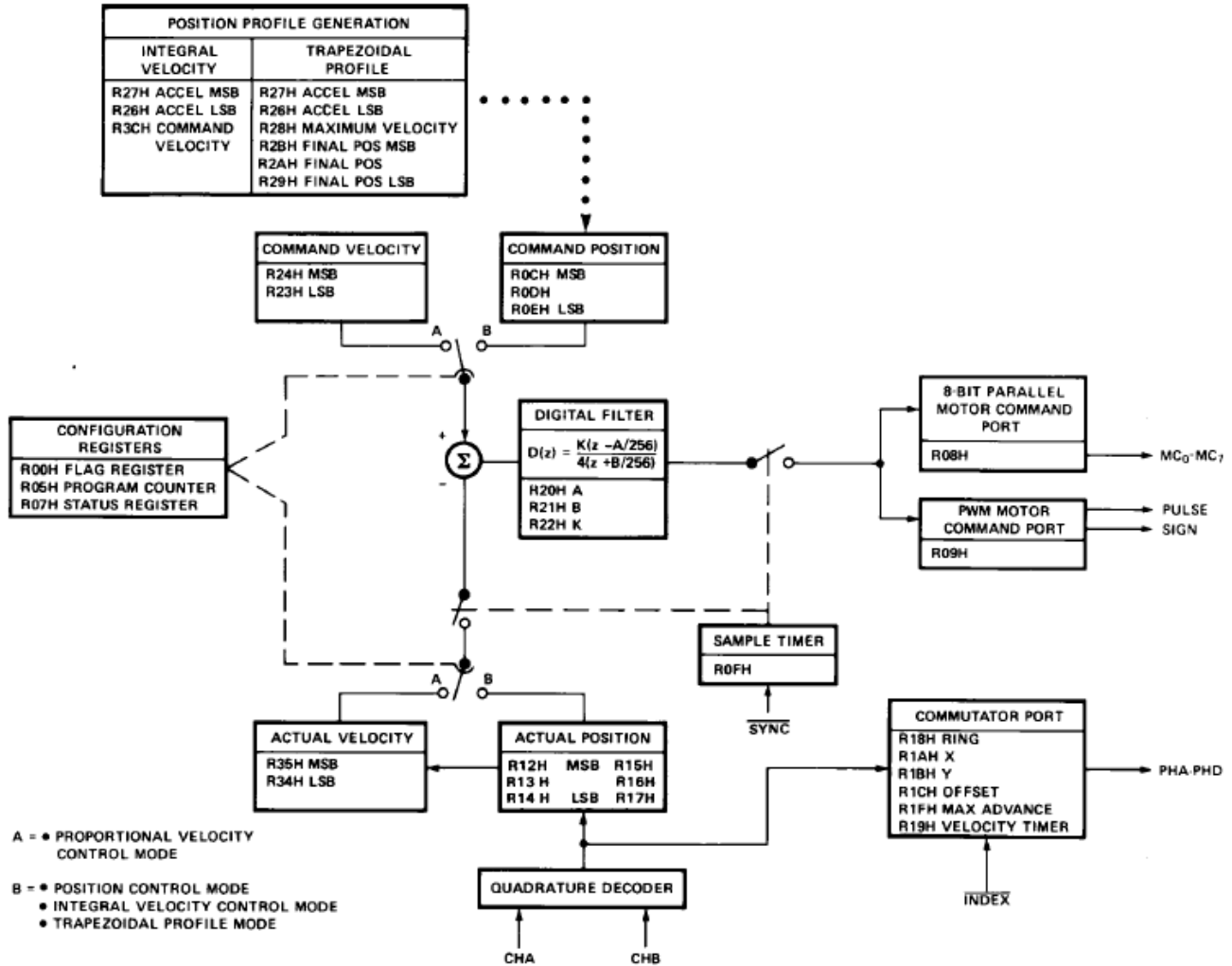


Figure 3. Register Block.

Table 1. Register Reference By Mode

Register		Function	Data Type ⁽¹⁾	User Access
Hex	Dec.			
General Control				
R00H	R00D	Flag Register	-	r/w
R05H	R05D	Program Counter	scalar	r/w
R07H	R07D	Status Register	-	r/w ⁽²⁾
R0FH	R15D	Sample Timer	scalar	r/w
R12H	R18D	Read Actual Position MSB	2's Complement	r ⁽⁴⁾
R13H	R19D	Read Actual Position	2's Complement	r ⁽⁴⁾ /w ⁽⁵⁾
R14H	R20D	Read Actual Position LSB	2's Complement	r ⁽⁴⁾
R15H	R21D	Preset Actual Position MSB	2's Complement	w ⁽⁸⁾
R16H	R22D	Preset Actual Position	2's Complement	w ⁽⁸⁾
R17H	R23D	Preset Actual Position LSB	2's Complement	w ⁽⁸⁾
Output Registers				
R07H	R07D	Sign Reversal Inhibit	-	r/w ⁽²⁾
R08H	R08D	8 bit Motor Command	2's Complement + 80H	r/w
R09H	R09D	PWM Motor Command	2's Complement	r/w
Filter Registers				
R20H	R32D	Filter Zero, A	scalar	r/w
R21H	R33D	Filter Pole, B	scalar	r/w
R22H	R34D	Gain, K	scalar	r/w
Commutator Registers				
R07H	R07D	Status Register	-	r/w ⁽²⁾
R18H	R24D	Commutator Ring	scalar ^(6,7)	r/w
R19H	R25D	Velocity Timer	scalar	w
R1AH	R26D	X	scalar ^(6,7)	r/w
R1BH	R27D	Y Phase Overlap	scalar ^(6,7)	r/w
R1CH	R28D	Offset	2's Complement ⁽⁷⁾	r/w
R1FH	R31D	Max. Phase Advance	scalar ^(6,7)	r/w
Position Control Mode				
R00H	R00D	Flag Register	-	r/w
R12H	R18D	Read Actual Position MSB	2's Complement	r ⁽⁴⁾
R13H	R19D	Read Actual Position	2's Complement	r ⁽⁴⁾ /w ⁽⁵⁾
R14H	R20D	Read Actual Position LSB	2's Complement	r ⁽⁴⁾
R0CH	R12D	Command Position MSB	2's Complement	r/w ⁽³⁾
R0DH	R13D	Command Position	2's Complement	r/w ⁽³⁾
R0EH	R14D	Command Position LSB	2's Complement	r/w ⁽³⁾

Table 1. (continued).

Register		Function	Data Type	User Access
Hex	Dec.			
Trapezoid Profile Control Mode				
R00H	R00D	Flag Register	-	r/w
R07H	R07D	Status Register	-	r/w ^[2]
R12H	R18D	Read Actual Position MSB	2's Complement	r ^[4]
R13H	R19D	Read Actual Position	2's Complement	r ^[4] /w ^[5]
R14H	R20D	Read Actual Position LSB	2's Complement	r ^[4]
R29H	R41D	Final Position LSB	2's Complement	r/w
R2AH	R42D	Final Position	2's Complement	r/w
R2BH	R43D	Final Position MSB	2's Complement	r/w
R26H	R38D	Acceleration LSB	scalar	r/w
R27H	R39D	Acceleration MSB	scalar ^[6]	r/w
R28H	R40D	Maximum Velocity	scalar ^[6]	r/w
Integral Velocity Mode				
R00H	R00D	Flag Register	-	r/w
R12H	R18D	Read Actual Position MSB	2's Complement	r ^[4]
R13H	R19D	Read Actual Position	2's Complement	r ^[4] /w ^[5]
R14H	R20D	Read Actual Position LSB	2's Complement	r ^[4]
R26H	R38D	Acceleration LSB	scalar	r/w
R27H	R39D	Acceleration MSB	scalar ^[6]	r/w
R3CH	R60D	Command Velocity	2's Complement	r/w
Proportional Velocity Mode				
R00H	R00D	Flag Register	-	r/w
R12H	R18D	Read Actual Position MSB	2's Complement	r ^[4]
R13H	R19D	Read Actual Position	2's Complement	r ^[4] /w ^[5]
R14H	R20D	Read Actual Position LSB	2's Complement	r ^[4]
R23H	R35D	Command Velocity LSB	2's Complement	r/w
R24H	R36D	Command Velocity MSB	2's Complement	r/w
R34H	R52D	Actual Velocity LSB	2's Complement	r
R35H	R53D	Actual Velocity MSB	2's Complement	r

Notes:

1. Consult appropriate section for data format and use.
2. Upper 4 bits are read only.
3. Writing to R0EH (LSB) latches all 24 bits.
4. Reading R14H (LSB) latches data in R12H and R13H.
5. Writing to R13H clears Actual Position Counter to zero.
6. The scalar data is limited to positive numbers (00H to 7FH).
7. The commutator registers (R18H, R1CH, R1FH) have further limits which are discussed in the Commutator section of this data sheet.
8. Writing to R17H (R23D) latches all 24 bits (only in INIT/IDLE mode).

Table 2. Register Reference Table by Register Number

Register		Function	Mode Used	Data Type	User Access
Hex	Dec.				
R00H	R00D	Flag Register	All	-	r/w
R05H	R05D	Program Counter	All	scalar	w
R07H	R07D	Status Register	All	-	r/w ⁽²⁾
R08H	R08D	8 bit Motor Command Port	All	2's complement + 80H	r/w
R09H	R09D	PWM Motor Command Port	All	2's complement	r/w
R0CH	R12D	Command Position (MSB)	All except Proportional Velocity	2's complement	r/w ⁽³⁾
R0DH	R13D	Command Position	All except Proportional Velocity	2's complement	r/w ⁽³⁾
R0EH	R14D	Command Position (LSB)	All except Proportional Velocity	2's complement	r/w ⁽³⁾
R0FH	R15D	Sample Timer	All	scalar	r/w
R12H	R18D	Read Actual Position (MSB)	All	2's complement	r ⁽⁴⁾
R13H	R19D	Read Actual Position	All	2's complement	r ⁽⁴⁾ /w ⁽⁵⁾
R14H	R20D	Read Actual Position (LSB)	All	2's complement	r ⁽⁴⁾
R15H	R21D	Preset Actual Position (MSB)	INIT/IDLE	2's complement	w ⁽⁸⁾
R16H	R22D	Preset Actual Position	INIT/IDLE	2's complement	w ⁽⁸⁾
R17H	R23D	Preset Actual Position (LSB)	INIT/IDLE	2's complement	w ⁽⁸⁾
R18H	R24D	Commutator Ring	All	scalar ^(6,7)	r/w
R19H	R25D	Commutator Velocity Timer	All	scalar	w
R1AH	R26D	X	All	scalar ⁽⁶⁾	r/w
R1BH	R27D	Y Phase Overlap	All	scalar ⁽⁶⁾	r/w
R1CH	R28D	Offset	All	2's complement ⁽⁷⁾	r/w
R1FH	R31D	Maximum Phase Advance	All	scalar ^(6,7)	r/w
R20H	R32D	Filter Zero, A	All except Proportional Velocity	scalar	r/w
R21H	R33D	Filter Pole, B	All except Proportional Velocity	scalar	r/w
R22H	R34D	Gain, K	All	scalar	r/w
R23H	R35D	Command Velocity (LSB)	Proportional Velocity	2's complement	r/w
R24H	R36D	Command Velocity (MSB)	Proportional Velocity	2's complement	r/w
R26H	R38D	Acceleration (LSB)	Integral Velocity and Trapezoidal Profile	scalar	r/w
R27H	R39D	Acceleration (MSB)	Integral Velocity and Trapezoidal Profile	scalar ⁽⁶⁾	r/w
R28H	R40D	Maximum Velocity	Trapezoidal Profile	scalar ⁽⁶⁾	r/w
R29H	R41D	Final Position (LSB)	Trapezoidal Profile	2's complement	r/w
R2AH	R42D	Final Position	Trapezoidal Profile	2's complement	r/w
R2BH	R43D	Final Position (MSB)	Trapezoidal Profile	2's complement	r/w
R34H	R52D	Actual Velocity (LSB)	Proportional Velocity	2's complement	r
R35H	R53D	Actual Velocity (MSB)	Proportional Velocity	2's complement	r
R3CH	R60D	Command Velocity	Integral Velocity	2's complement	r/w

Notes:

1. Consult appropriate section for data format and use.
2. Upper 4 bits are read only.
3. Writing to R0EH (LSB) latches all 24 bits.
4. Reading R14H (LSB) latches data in R12H and R13H.
5. Writing to R13H clears Actual Position Counter to zero.
6. The scalar data is limited to positive numbers (00H to 7FH).
7. The commutator registers (R18H, R1CH, R1FH) have further limits which are discussed in the Commutator section of this data sheet.
8. Writing to R17H (R23D) latches all 24 bits (only in INIT/IDLE mode).

Table 2. Register Reference Table by Register Number

Register		Function	Mode Used	Data Type	User Access
Hex	Dec.				
R00H	R00D	Flag Register	All	-	r/w
R05H	R05D	Program Counter	All	scalar	w
R07H	R07D	Status Register	All	-	r/w ⁽²⁾
R08H	R08D	8 bit Motor Command Port	All	2's complement + 80H	r/w
R09H	R09D	PWM Motor Command Port	All	2's complement	r/w
R0CH	R12D	Command Position (MSB)	All except Proportional Velocity	2's complement	r/w ⁽³⁾
R0DH	R13D	Command Position	All except Proportional Velocity	2's complement	r/w ⁽³⁾
R0EH	R14D	Command Position (LSB)	All except Proportional Velocity	2's complement	r/w ⁽³⁾
R0FH	R15D	Sample Timer	All	scalar	r/w
R12H	R18D	Read Actual Position (MSB)	All	2's complement	r ⁽⁴⁾
R13H	R19D	Read Actual Position	All	2's complement	r ⁽⁴⁾ /w ⁽⁵⁾
R14H	R20D	Read Actual Position (LSB)	All	2's complement	r ⁽⁴⁾
R15H	R21D	Preset Actual Position (MSB)	INIT/IDLE	2's complement	w ⁽⁸⁾
R16H	R22D	Preset Actual Position	INIT/IDLE	2's complement	w ⁽⁸⁾
R17H	R23D	Preset Actual Position (LSB)	INIT/IDLE	2's complement	w ⁽⁸⁾
R18H	R24D	Commutator Ring	All	scalar ^(6,7)	r/w
R19H	R25D	Commutator Velocity Timer	All	scalar	w
R1AH	R26D	X	All	scalar ⁽⁶⁾	r/w
R1BH	R27D	Y Phase Overlap	All	scalar ⁽⁶⁾	r/w
R1CH	R28D	Offset	All	2's complement ⁽⁷⁾	r/w
R1FH	R31D	Maximum Phase Advance	All	scalar ^(6,7)	r/w
R20H	R32D	Filter Zero, A	All except Proportional Velocity	scalar	r/w
R21H	R33D	Filter Pole, B	All except Proportional Velocity	scalar	r/w
R22H	R34D	Gain, K	All	scalar	r/w
R23H	R35D	Command Velocity (LSB)	Proportional Velocity	2's complement	r/w
R24H	R36D	Command Velocity (MSB)	Proportional Velocity	2's complement	r/w
R26H	R38D	Acceleration (LSB)	Integral Velocity and Trapezoidal Profile	scalar	r/w
R27H	R39D	Acceleration (MSB)	Integral Velocity and Trapezoidal Profile	scalar ⁽⁶⁾	r/w
R28H	R40D	Maximum Velocity	Trapezoidal Profile	scalar ⁽⁶⁾	r/w
R29H	R41D	Final Position (LSB)	Trapezoidal Profile	2's complement	r/w
R2AH	R42D	Final Position	Trapezoidal Profile	2's complement	r/w
R2BH	R43D	Final Position (MSB)	Trapezoidal Profile	2's complement	r/w
R34H	R52D	Actual Velocity (LSB)	Proportional Velocity	2's complement	r
R35H	R53D	Actual Velocity (MSB)	Proportional Velocity	2's complement	r
R3CH	R60D	Command Velocity	Integral Velocity	2's complement	r/w

Notes:

1. Consult appropriate section for data format and use.
2. Upper 4 bits are read only.
3. Writing to R0EH (LSB) latches all 24 bits.
4. Reading R14H (LSB) latches data in R12H and R13H.
5. Writing to R13H clears Actual Position Counter to zero.
6. The scalar data is limited to positive numbers (00H to 7FH).
7. The commutator registers (R18H, R1CH, R1FH) have further limits which are discussed in the Commutator section of this data sheet.
8. Writing to R17H (R23D) latches all 24 bits (only in INIT/IDLE mode).

Register Descriptions – General Control, Output, Filter, and Commutator

Flag Register (R00H)

The Flag register contains flags F0 through F5. This register is a read/write register. Each flag is set and cleared by writing an 8-bit data word to R00H. When writing to R00H, the upper four bits are ignored by the HCTL-1101, bits 0,1,2 specify the flag address, and bit 3 specifies whether to set (bit=1) or clear (bit=0) the addressed flag.

Flag Descriptions

F0– Trapezoidal Profile Flag – set by the user to execute Trapezoidal Profile Control. The flag is reset by the controller when the move is completed. The status of F0 can be monitored at the Profile pin and in Status register R07H bit 4.

F1– Initialization/Idle Flag – set/ cleared by the HCTL-1101 to indicate execution of the Initialization/Idle mode. The status of F1 can be monitored at the Initialization/Idle pin and in bit 5 of the Status register (R07H). The user should not attempt to set or clear F1.

F2– Unipolar Flag – set/cleared by the user to specify Bipolar (clear) or Unipolar (set) mode for the Motor Command port.

F3– Proportional Velocity Control Flag – set by the user to specify Proportional Velocity control.

F4– Hold Commutator flag – set/ cleared by the user or automatically by the Align mode. When set, this flag inhibits the internal commutator counters to allow open loop stepping of a motor by using the commutator. (See “Offset register” description in the “Commutator section.”)

F5–Integral Velocity Control – set by the user to specify Integral Velocity Control. Also set and cleared by the HCTL-1101 during execution of the Trapezoidal Profile mode. This is transparent to the user except when the LIMIT flag is set. (see “Emergency Flags” section).

Writing to the Flag Register

When writing to the flag register, only the lower four bits are used. Bit 3 indicates whether to set or clear a certain flag, and bits 0,1,and 2 indicate the desired flag. The following table shows the bit map of the Flag register:

Bit Number	Function
7-4	Don't Care
3	1=set 0=clear
2	AD2
1	AD1
0	AD0

The following table outlines the possible writes to the Flag Register:

Flag	SET	CLEAR
F0	08H	00H
F1	-	-
F2	0AH	02H
F3	0BH	03H
F4	0CH	04H
F5	0DH	05H

Reading the Flag Register

Reading register R00H returns the status of the flags in bits 0 to 5. For example, if bit 0 is set (logic 1), then flag F0 is set. If bit 4 is set, then flag F4 is set. If bits 0 and 5 are set, then both flags F0 and F5 are set.

The following table outlines the Flag Register Read

Bit Number	Flag (1=set) (0=clear)
8-6	Don't Care
5	F5
4	F4
3	F3
2	F2
1	F1
0	F0

Notes:

1. A soft reset (writing 00H to R05H) will not reset the flags in the flag register. A hard reset ($\overline{\text{RESET}}$ pin low) is required to reset all the flags. The flags can also be reset by writing the proper word to the Flag register as explained above.
2. While in Trapezoid Profile Mode, Flag F0 will be set, and Flag F5 may be set. F5 is used for internal purposes. Both flags will be cleared at the end of the profile.

Program Counter Register (R05H)

The Program Counter, which is a write-only register, executes the preprogrammed functions of the controller. The program counter is used along with the control flags F0, F3, and F5 in the Flag register (R00H) to change control modes. The user can write any of the following four commands to the Program Counter.

Value written to R05H	Action
00H	Software Reset
01H	Enter Init/Idle Mode
02H	Enter Align Mode (only from INIT/IDLE Mode)
03H	Enter Control Mode (only from INIT/IDLE Mode)

These Commands are discussed more detail in the “Operating Mode” section.

Status Register (R07H)

The Status register indicates the status of the HCTL-1101. Each bit decodes into one signal. All 8 bits are user readable and are decoded as shown below. Only the lower 4 bits can be written to by the user to configure the HCTL-1101. To set or clear any of the lower 4 bits, the user writes an 8-bit word to R07H. The upper 4 bits are ignored. Each of the lower 4 bits directly sets/clears the corresponding bit of the Status register as shown below. For example, writing XXXX0101 to R07H sets the PWM Sign Reversal Inhibit, sets the Commutator Phase Configuration to “3 Phase,” and sets the Commutator Count Configuration to “full.”

Table 3. Status Register

Status Bit	Function
0	PWM Sign Reversal Inhibit : 0 = off 1 = on
1	Commutator Phase Configuration : 0 = 3 phase 1 = 4 phase
2	Commutator Count Configuration: 0 = quadrature 1 = full
3	Should always be set to 0
4	Trapezoidal Profile Flag F0: 1 = in Profile Control
5	Initialization/Idle Flag F1 : 1 = in Initialization/Idle Mode
6	\overline{STOP} Flag : 0 = set (\overline{STOP} triggered) 1 = cleared (no \overline{STOP})
7	\overline{LIMIT} Flag : 0 = set (\overline{LIMIT} triggered) 1 = cleared (no \overline{LIMIT})

Motor Command Register (R08H)

The 8-bit Motor Command Port consists of register R08H. The register is connected to external pins MC0-MC7. MC7 is the most significant bit. R08H can be read and written to; however, it should be written to only in the Initialization/Idle mode. During any of the four control modes, the

HCTL-1101 writes values to register R08H.

The Motor Command Port operates in two modes, bipolar and unipolar, when under control of internal software. Bipolar mode allows the full range of values in R08H (-128D to +127D). The data written to the Motor Command Port by the control algorithms is the internally computed 2’s-complement motor command with an 80H offset added. This allows direct interfacing to a DAC. Connecting the Motor Command Port to a DAC, Bipolar mode allows the full voltage swing (positive and negative).

Unipolar mode functions such that with the same DAC circuit, the motor command output is restricted to positive values (80H to FFH) when in a control mode. Unipolar mode is used with multi-phase motors when the commutator controls the direction of movement. (If needed, the Sign pin could be used to indicate direction). In Unipolar mode, the user can still write a negative value to R08H in INIT/IDLE mode.

Unipolar mode or Bipolar mode is programmed by setting or clearing flag F2 in the Flag Register R00H.

Internally, the HCTL-1101 operates on data of 24, 16 and 8 bit lengths to produce the 8-bit motor command, available externally. Many times the computed motor command will be greater than 8 bits. At this point, the motor command is saturated by the controller. The saturated value output by the controller is not the full scale value 00H (00D), or FFH (255D). The saturated value is adjusted to 0FH (15D) (negative saturation) and FOH (240D) (positive saturation). Saturation levels for the Motor Command port are in Figure 4.

PWM Motor Command Register (R09H)

The PWM port outputs the motor command as a pulse width modulated signal with the correct sign of polarity. The PWM port consists of the Pulse and Sign pins and R09H.

The PWM signal at the Pulse pin has a frequency of External Clock/100 and the duty cycle is resolved into the 100 clocks. (For example, a 2 MHz clock gives a 20 KHz PWM frequency.) The Sign pin gives the polarity of the command. Low output on Sign pin is positive polarity.

The 2’s-complement contents of R09H determine the duty cycle and polarity of the PWM command. For example, D8H (-40D) gives a 40% duty cycle signal at the Pulse pin and forces the Sign pin high. Data outside the 64H (+100D) to 9CH (-100D) linear range gives 100% duty cycle. R09H can be read and written to. However, the user should only write to R09H when the controller is in the Initialization/Idle mode. Figure 5 shows the PWM output versus the internal motor command.

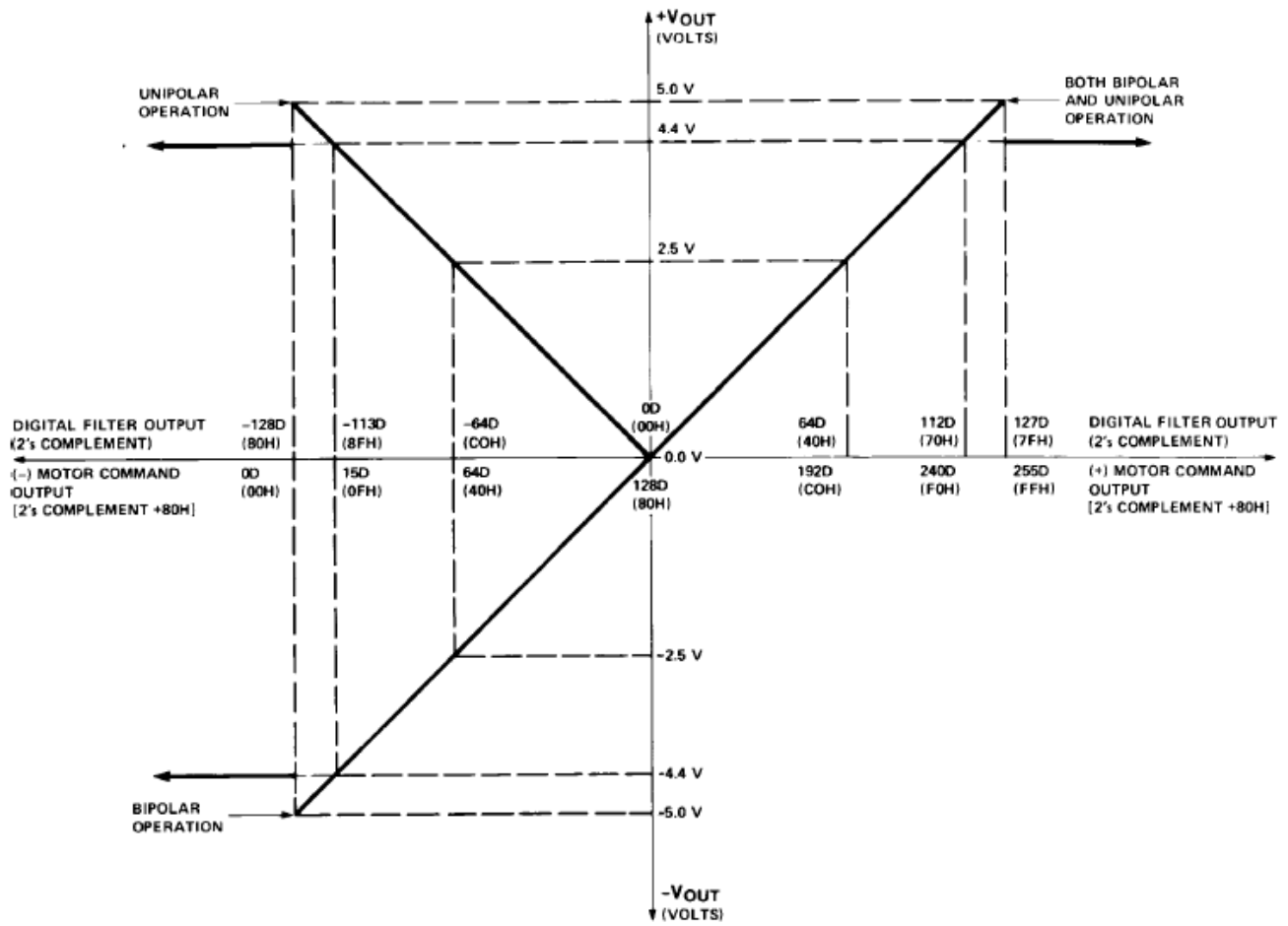


Figure 4. Motor Command Port Output.

When any Control mode is being executed, the unadjusted internal 2's-complement motor command is written to R09H. Because of the hardware limit on the linear range (64H to 9CH, $\pm 100D$), the PWM port saturates sooner than the 8-bit Motor Command port (00H to FFH, +127D to -128D). When the internal motor command saturates above 8 bits, the PWM port is saturated to the full $\pm 100\%$ duty cycle level. Figure 5 shows the actual values inside the PWM port. Note that the Unipolar flag, F2, does not affect the PWM port.

For commutation of brushless motors with the PWM port, only use the Pulse pin from the PWM port as the commutator already contains sign information. (See Figure 9.)

The PWM port has an option that can be used with H-bridge type amplifiers. The option is Sign Reversal Inhibit, which inhibits the Pulse output for one PWM period after a sign polarity reversal. This allows one pair of transistors to turn off before others are turned on and thereby avoids a short across the power supply. Bit 0 in the Status register (R07H) controls the Sign Reversal.

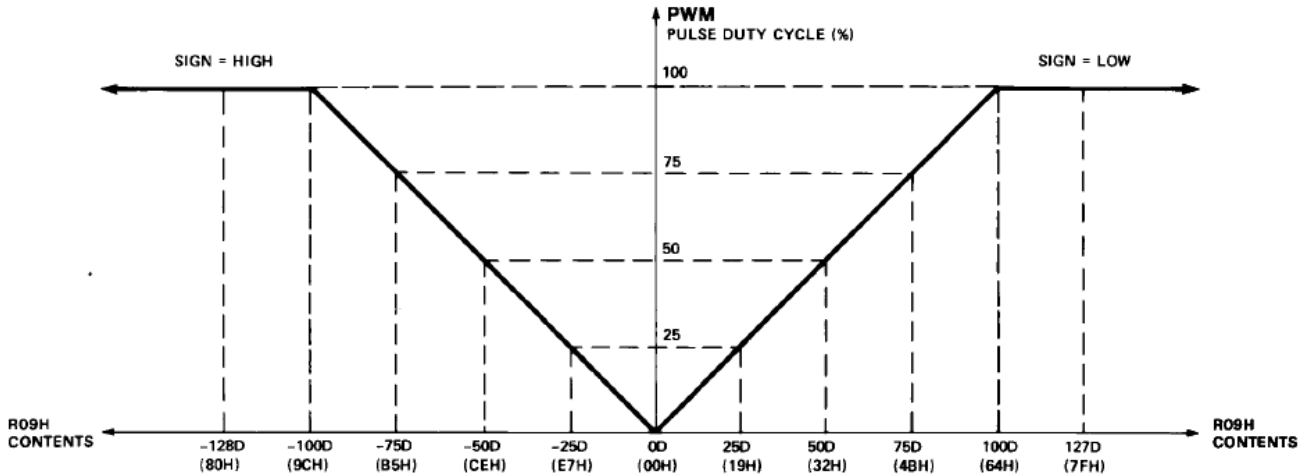


Figure 5. PWM Port Output.

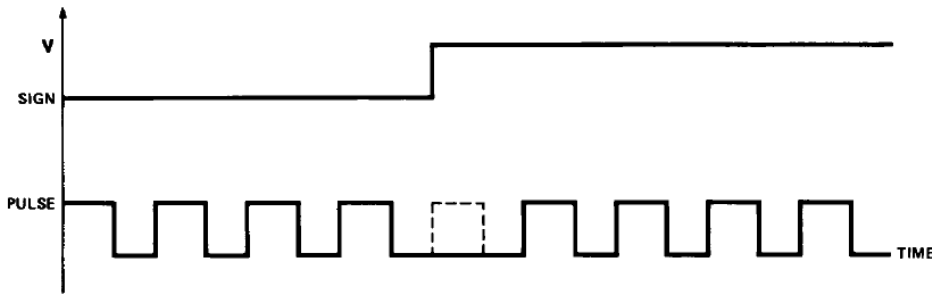


Figure 6. Sign Reversal Inhibit.

Actual Position Registers

Read, Clear : R12H, R13H, R14H

Preset : R15H, R16H, and R17H

The Actual Position Register is accessed by two sets of registers in the HCTL-1101. When reading the Actual Position from the HCTL-1101, the host processor will read Registers R12H (MSB), R13H, and R14H (LSB). When presetting the Actual Position Register, the processor will write to Registers R15H (MSB), R16H, and R17H (LSB).

When reading the Actual Position registers, the order should be R14H, R13H, and R12H. These registers are latched, such that, when reading Register R14H, all three bytes will be latched so that count data does not change while reading three separate bytes.

When presetting the Actual Position Register, write to R15H and R16H first. When R17H is written to, all three bytes are simultaneously loaded into the Actual Position Register.

Note that presetting the Actual Position Registers is only allowed while the HCTL-1101 is in INIT/ IDLE mode.

The Actual Position Registers can be simultaneously cleared at any time by writing any value to R13H.

Digital Filter Registers

Zero (A) R20H

Pole (B) R21H

Gain (K) R22H

All control modes use some part of the programmable digital filter $D(z)$ to compensate for closed loop system stability. The compensation $D(z)$ has the form:

$$D(z) = \frac{K \left(z - \frac{A}{256} \right)}{4 \left(z + \frac{B}{256} \right)} \quad [1]$$

Where:

z = the digital domain operator

K = digital filter gain (R22H)

A = digital filter zero (R20H)

B = digital filter pole (R21H)

The compensation is a first-order lead filter which in combination with the Sample Timer T (R0FH) affects the dynamic step response and stability of the control system. The Sample Timer, T, determines the rate at which the control algorithm gets executed. All parameters, A, B, K, and T, are 8-bit scalars that can be changed by the user any time.

As shown in equations [2] and [3], the digital filter uses previously sampled data to calculate D(z). This old internally sampled data is cleared when the Initialization/Idle mode is executed.

In Position Control, Integral Velocity Control, and Trapezoidal Profile Control the digital filter is implemented in the time domain as shown below:

$$MC_n = (K/4)(X_n) - [(A/256)(K/4)(X_{n-1}) + (B/256)(MC_{n-1})] \quad [2]$$

Where:

- n = current sample time
- n-1 = previous sample time
- MCn = Motor Command Output at n
- MCn-1 = Motor Command Output at n-1
- Xn = (Command Position – Actual Position) at n
- Xn-1 = (Command Position – Actual Position) at n-1

In Proportional Velocity control the digital compensation filter is implemented in the time domain as:

Where:

- Yn = (Command Velocity – Actual Velocity) at n

Sample Timer Register (R0FH)

The contents of this register set the sampling period of the HCTL- 1101. The sampling period is:

$$t = 16(T+1) (1/\text{frequency of the external clock}) \quad [4]$$

Where:

- T = contents of register R0FH

The Sample Timer has a limit on the minimum allowable sample time depending on the control mode being executed. The limits are given in Table 4 below.

The minimum value limits are to make sure the internal programs have enough time to complete proper execution.

The maximum value of T (R0FH) is FFH (255D). With a 2 MHz clock, the sample time can vary from 64 μsec to 2048 μsec. With a 1 MHz clock, the sample time can vary from 128 μsec to 4096 μsec.

Digital closed-loop systems with slow sampling times will have lower stability and a lower bandwidth compared to similar systems with faster sampling times. This rule of thumb must be balanced by the needs of the velocity range to be controlled. Velocities are specified to the HCTL-1101 in terms of quadrature encoder counts per sample time.

Hardware Description

The Sample Timer consists of a buffer and a decrement counter. Each time the counter reaches 00H, the Sampler Timer Value T (value written to R0FH) is loaded from the buffer into the counter, which immediately begins to decrement from T.

Writing to the Sample Timer Register

Data written to R0FH will be latched into the internal buffer and used by the counter after it completes the present sample time cycle by decrementing to 00H. The next sample time will use the newly written data.

Table 4.

Control Mode	R0FH Contents Minimum Limit
Position Control	07H(07D)
Proportional Velocity Control	07H(07D)
Trapezoidal Profile Control	0FH(15D)
Integral Velocity Control	0FH(15D)

Reading the Sample Timer Register

Reading R0FH gives the values directly from the decrementing counter. Therefore, the data read from R0FH will have a value anywhere between T and 00H, depending where in the sample time cycle the counter is.

Example :

1. On reset, the value of the timer is preset to 40H.
2. Reading R0FH shows 3EH . . . 2BH . . . 08H . . . 3CH...

Synchronizing Multiple Axes

Synchronizing multiple axes with HCTL-1101s can be achieved by using the $\overline{\text{SYNC}}$ pin as explained in the Pin Discussion section. Some users may not only want to synchronize several HCTL-1101s but also follow custom profiles for each axis. To do this, the user may need to write a new command position or command velocity during each sample time for the duration of the profile. In this case, data written to the HCTL-1101 has to be coordinated with the Sample Timer. This is so that only one command position or velocity is received during any one sample period, and that it is written at the proper time within a sample period.

At the beginning of each sample period, the HCTL-1101 is performing calculations and executions. New command positions and velocities should not be written to the HCTL-1101 during this time. If they are, the calculations may be thrown off and cause unpredictable control.

The user can read the Sample Timer Register to avoid writing too early during a sample period. Since the Sample Timer Register continuously counts down from its programmed value, the user can check if enough time has passed in the sample period to insure the completion of the internal calculations. The length of time needed by the HCTL-1101 to do its calculations is given by the Minimum Limits of R0FH (Sample Timer Register) as shown in Table 4. For Position Control Mode, the user should wait for the Sample Timer to count down 07H from its programmed value before writing the next command position or velocity. If the programmed sample timer value is 39H, wait until the Sample Timer Register reads 32H. Writing between 32H and 00H will make the command information available for the next sample period.

Commutator	
Status Register	(R07H)
Commutator Ring	(R18H)
X Register	(R1AH)
Y Phase Overlap	(R1BH)
Offset	(R1CH)
Max. Phase Advance	(R1FH)
Velocity Timer	(R19H)

The Commutator is a digital state machine that is configured by the user to properly select the phase sequence for electronic commutation of multiphase motors. The Commutator is designed to work with 2, 3, and 4-phase motors of various winding configurations and with various encoder counts. Along with providing the correct phase enable sequence, the Commutator provides programmable phase overlap, phase advance, and phase offset.

Phase overlap is used for better torque ripple control. It can also be used to generate unique state sequences which can be further decoded externally to drive more complex amplifiers and motors. Phase advance allows the user to compensate for the frequency characteristics of the motor/amplifier combination. By advancing the phases enable command (in position), the delay in reaction of the motor/amplifier combination can be offset and higher performance can be achieved.

Phase offset is used to adjust the alignment of the commutator output with the motor torque curves. By correctly aligning the HCTL-1101's commutator output with the motor's torque curves, maximum motor output torque can be achieved.

The inputs to the Commutator are the three encoder signals, Channel A, Channel B, and $\overline{\text{INDEX}}$ and the configuration data stored in registers.

The Commutator uses both channels and the $\overline{\text{INDEX}}$ pulse of an incremental encoder. The $\overline{\text{INDEX}}$ pulse of the encoder must be physically aligned to a known torque curve location because it is used as the reference point of the rotor position with respect to the Commutator phase enables.

The $\overline{\text{INDEX}}$ pulse should be permanently aligned during motor encoder assembly to the last motor phase. This is done by energizing the last phase of the motor during assembly and permanently attaching the encoder code-wheel to the motor shaft such that the $\overline{\text{INDEX}}$ pulse is active as shown in Figures 7 and 8. Fine tuning of alignment for commutation purposes is done electronically by the Offset register (R1CH) once the complete control system is set up.

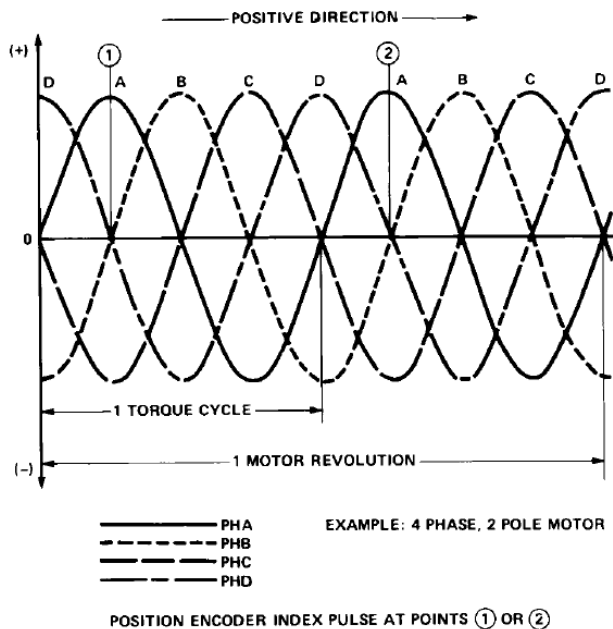


Figure 7. Index Pulse Alignment to Motor Torque Curves.

Each time an $\overline{\text{INDEX}}$ pulse occurs; the internal commutator ring counter is reset to 0. The ring counter keeps track of the current position of the rotor based on the encoder feedback. When the ring counter is reset to 0, the Commutator is reset to its origin (last phase going low, Phase A going high) as shown in Figure 10.

The output of the Commutator is available as PHA, PHB, PHC, and PHD. The HCTL-1101's Commutator acts as the electrical equivalent of the mechanical brushes in a motor. Therefore, the outputs of the Commutator provide only proper phase sequencing for bidirectional operation. The magnitude information is provided to the motor via the Motor Command and PWM ports. The outputs of the commutator must be combined with the outputs of one of the motor ports to provide proper DC brushless and stepper motor control. Figure 9 shows an example of circuitry which uses the outputs of the Commutator with the Pulse output of the PWM port to control a DC brushless or stepper motor. A similar procedure could be used to combine the commutator outputs PHA-PHD with a linear amplifier interface output (Figure 16) to create a linear amplifier system.

The Commutator is programmed by the data in the following registers. Figure 10 shows an example of the relationship between all the parameters.

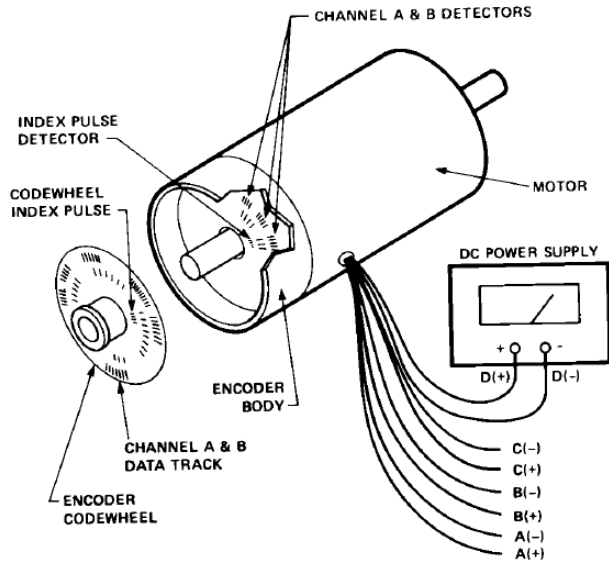


Figure 8. Codewheel Index Pulse Alignment.

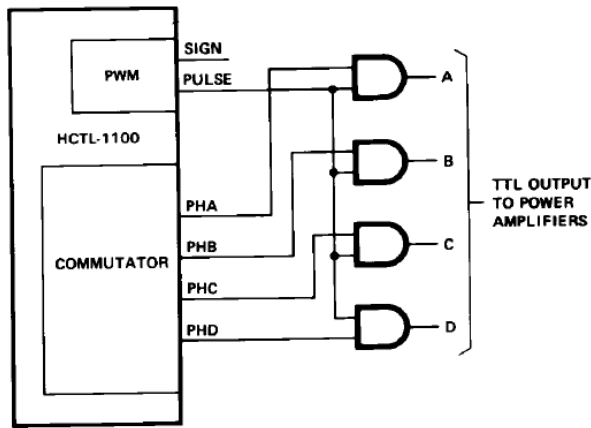


Figure 9. PWM Interface to Brushless DC Motors.

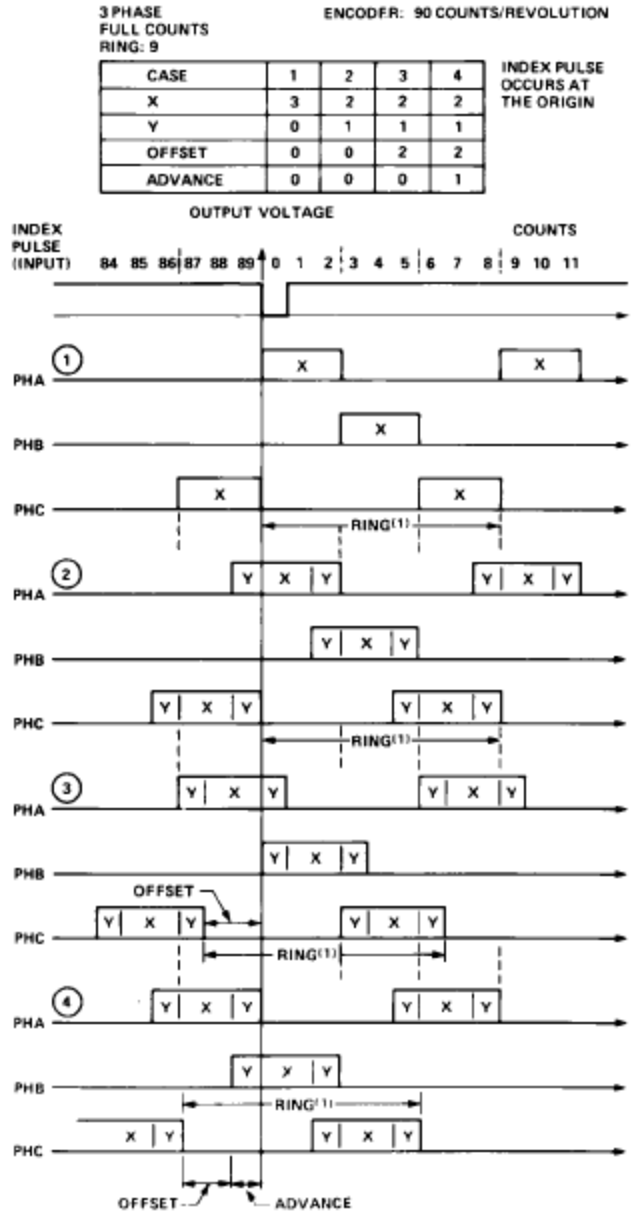


Figure 10. Commuter Configurations.

Status Register (R07H)

Bit #1- 0 = 3-phase configuration, PHA, PHB, and PHC are active outputs.

1 = 4-phase configuration, PHA – PHD are active outputs.

Bit #2- 0 = Rotor position measured in quadrature counts (4x decoding).

1 = Rotor position measured in full counts (1 count = 1 codewheel bar and space.)

Bit #2 only affects the commutator's counting method. This includes the Ring register (R18H), the X and Y registers (R1AH & R1BH), the Offset register (R1CH), the Velocity Timer register (R19H), and the Maximum Advance register (R1FH).

Quadrature counts (4x decoding) are always used by the HCTL-1101 as a basis for position, velocity, and acceleration control.

Ring Register (R18H)

The Ring register is defined as 1 electrical cycle of the Commutator which corresponds to 1 torque cycle of the motor. The Ring register is scalar and determines the length of the commutation cycle measured in full or quadrature counts as set by bit #2 in the Status register (R07H). The value of the ring must be limited to the range of 0 to 7FH.

X Register (R1AH)

This register contains scalar data which sets the interval during which only one phase is active.

Y Register (R1BH)

This register contains scalar data which set the interval during which two sequential phases are both active. Y is phase overlap. X and Y must be specified such that:

$$X + Y = \text{Ring}/(\# \text{ of phases}) \quad [5]$$

These three parameters define the basic electrical commutation cycle.

Offset Register (R1CH)

The Offset register contains two's-complement data which determines the relative start of the commutation cycle with respect to the INDEX pulse. Since the INDEX pulse must be physically referenced to the rotor, offset performs fine alignment between the electrical and mechanical torque cycles.

The Hold Commutator flag (F4) in the Status register (R07H) is used to decouple the internal commutator counters from the encoder input. Flag (F4) can be used in conjunction with the Offset register to allow the user to advance the commutator phases open loop. This technique may be used to create a custom commutator alignment procedure. For example, in Figure 10, case 1, for a three-phase motor where the ring = 9, X = 3, and Y = 0, the phases can be made to advance open loop by setting

the Hold Commutator flag (F4) in the Flag register (R07H). When the values 0, 1, or 2 are written to the Offset register, phase A will be enabled. When the values 3, 4 or 5 are written to the Offset register, phase B will be enabled. And, when the values 6, 7, or 8 are written to the Offset register, phase C will be enabled. No values larger than the value programmed into the Ring register should be programmed into the Offset register.

Phase Advance Registers (R19H, R1FH)

The Velocity Timer register and Maximum Advance register linearly increment the phase advance according to the measured speed for rotation up to a set maximum.

The Velocity Timer register (R19H) contains scalar data which determines the amount of phase advance at a given velocity. The phase advance is interpreted in the units set for the Ring counter by bit #2 in R07H. The velocity is measured in revolutions per second.

$$\text{Advance} = N_F v \Delta t \quad [6]$$

$$\text{where: } \Delta t = \frac{16 (R19H + 1)}{f \text{ external clk}} \quad [7]$$

N_F = full encoder counts/ revolution.

v = velocity (revolutions/ second)

The Maximum Advance register (R1FH) contains scalar data which sets the upper limit for phase advance regardless of rotor speed.

Figure 11 shows the relationship between the Phase Advance registers. Note: If the phase advance feature is not used, set both R19H and R1FH to 0.

Commutator Constraints and Use

When choosing a three-channel encoder to use with a DC brushless or stepper motor, the user should keep in mind that the number of quadrature encoder counts (4x the number of slots in the encoder's codewheel) must be an integer multiple (1x, 2x, 3x, 4x, 5x, etc.) of the number of pole pairs in the DC brushless motor or steps in a stepper motor. To take full advantage of the commutator's overlap feature, the number of quadrature counts should be at least 3 times the number of pole pairs in the DC brushless motor or steps in the stepper motor.

For example, a 1.8°, (200 step/revolution) stepper motor should employ at least a:

$$\begin{aligned} 150 \text{ slot codewheel} &= 600 \text{ quadrature counts/revolution} \\ &= 3 \times 200 \text{ steps/revolution.} \end{aligned}$$

There are several numerical constraints the user should be aware of to use the Commutator.

The parameters of Ring, X, Y, and Max Advance must be positive numbers (00H to 7FH). Additionally, the following equation must be satisfied:

$$(-128D) 80H \leq \frac{3}{2} \text{ Ring} + \text{Offset} \pm \text{Max Advance} \leq 7FH (127D) \quad [8]$$

In order to utilize the greatest flexibility of the Commutator, it must be realized that the Commutator works on a circular ring counter principle, whose range is defined by the Ring register (R18H). This means that for a ring of 96 counts and a needed offset of 10 counts, numerically the Offset register can be programmed as 0AH (10D) or AAH (-86D), the latter satisfying Equation 8.

If bit #2 in the Status register is set to allow the commutator to count in full counts, a higher resolution codewheel may be chosen for precise motor control without violating the commutator constraints equation (Equation 8).

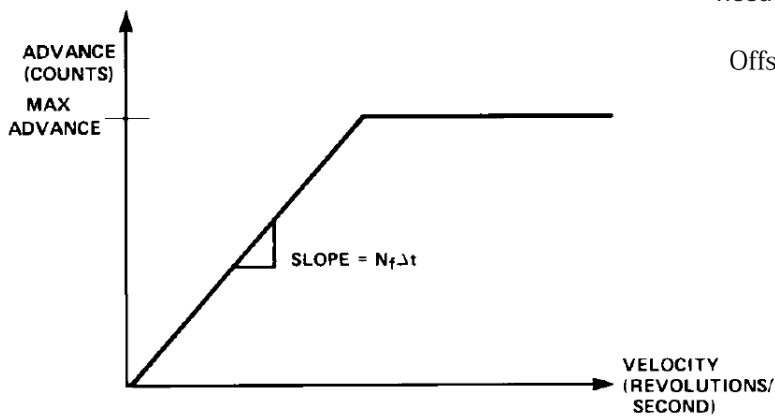


Figure 11. Phase Advance vs. Motor Velocity.

Example:

Suppose you want to commutate a 3-phase 15 deg/step Variable Reluctance Motor attached to a 192 count encoder.

1. Select 3-phase and quadrature mode for commutator by writing 0 to R07H.
2. With a 3-phase 15 degree/step Variable Reluctance motor the torque cycle repeats every 45 degrees or 8 times/revolution.
3. Ring register
 $= (4)(192) \text{ counts/revolution}$
 $= 8/\text{revolution}$
 $= 96 \text{ quadrature counts}$
 $= 1 \text{ commutation cycle}$
4. By measuring the motor torque curve in both directions, it is determined that an offset of 3 mechanical degrees and a phase overlap of 2 mechanical degrees is needed.

$$\text{Offset} = 3^\circ \frac{(4)(192)}{360^\circ} \cong 6 \text{ quadrature counts}$$

To create the 3 mechanical degree offset, the Offset register (R1CH) could be programmed with either A6H (-90D) or 06H (+06D). However, because 06H (+06D) would violate the commutator constraints Equation 8, A6H (-90D) is used.

For the purposes of this example, the Velocity Timer and Maximum Advance are set to 0.

Operation Flowchart

The HCTL-1101 executes any one of three setup routines or four control modes selected by the user.

The three setup routines include:

- Reset
- Initialization/Idle
- Align.

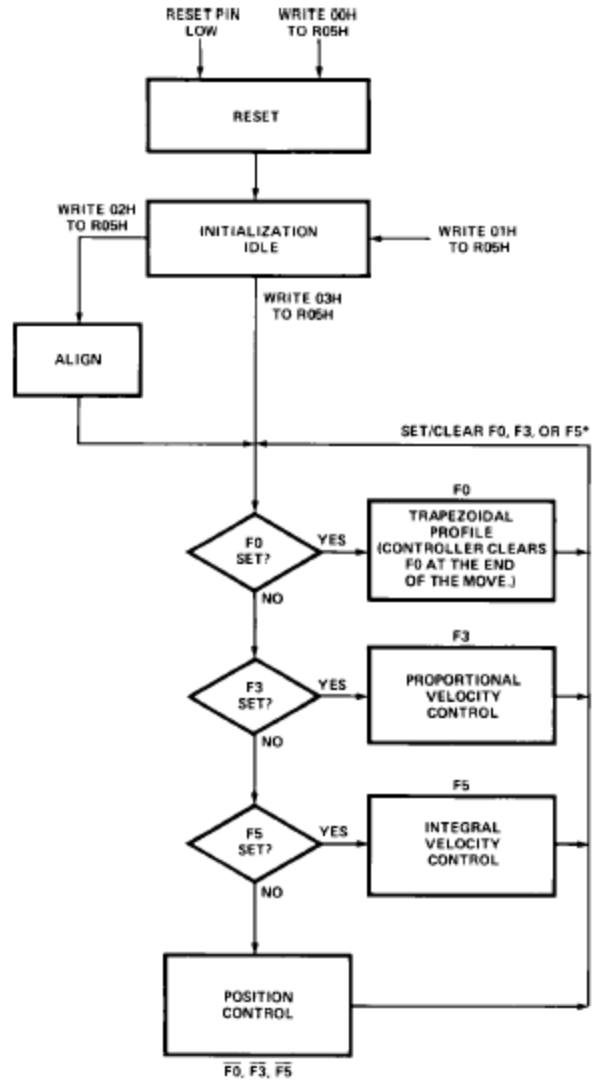
The four control modes available to the user include:

- Position Control
- Proportional Velocity Control
- Trapezoidal Profile Control
- Integral Velocity Control

The HCTL-1101 switches from one mode to another as a result of one of the following three mechanisms:

1. The user writes to the Program Counter.
2. The user sets/clears flags F0, F3, or F5 by writing to the Flag register (R00H).
3. The controller switches automatically when certain initial conditions are provided by the user.

This section describes the function of each setup routine and control mode and the initial conditions which must be provided by the user to switch from one mode to another. Figure 12 shows a flowchart of the setup routines and control modes, and shows the commands required to switch from one mode to another.



***Only one flag should be set at a time.**

Figure 12. Operational Flowchart.

Setup Modes

Hard Reset

Executed by:

- Pulling the $\overline{\text{RESET}}$ pin low (required at power up)

When a hard reset is executed ($\overline{\text{RESET}}$ pin goes low), the following conditions occur:

- All output signal pins are held low except Sign, Data bus, and Motor Command.
- All flags (F0 to F5) are cleared.
- The Pulse pin of the PWM port is set low while the Reset pin is held low. After the $\overline{\text{RESET}}$ pin is released (goes high) the Pulse pin goes high for one cycle of the external clock driving the HCTL-1101. The Pulse pin then returns to a low output.
- The Motor Command port (R08H) is preset to 80H (128D).
- The Commutator logic is cleared.
- The I/O control logic is cleared.

A soft reset is automatically executed.

Soft Reset

Executed by:

- Writing 00H to R05H, or
- Automatically called after a hard reset

When a soft reset is executed, the following conditions occur:

- The digital filter parameters are preset to A (R20H) = E5H (229D) B (R21H) = K (R22H) = 40H (64D)
- The Sample Timer (R0FH) is preset to 40H (64D).
- The Status register (R07H) is cleared.
- The Actual Position Counters (R12H, R13H, R14H) are cleared to 0.

From Reset mode, the HCTL-1101 goes automatically to Initialization/Idle mode.

Initialization/Idle

Executed by:

- Writing 01H to R05H, or
- Automatically executed after a hard reset, soft reset, or
- $\overline{\text{LIMIT}}$ pin goes low.

The Initialization/Idle mode is entered either automatically from Reset, by writing 01H to the Program Counter (R05H) under any conditions, or pulling the $\overline{\text{LIMIT}}$ pin low.

In the Initialization/Idle mode, the following occur:

- The Initialization/Idle flag (F1) is set.
- The PWM port R09H is set to 00H (zero command).
- The Motor Command port (R08H) is set to 80H (128D) (zero command).
- Previously sampled data stored in the digital filter is cleared.

It is at this point that the user should pre-program all the necessary registers needed to execute the desired control mode. The HCTL-1101 stays in this mode (idling) until a new mode command is given.

Align

Executed by:

- Writing 02H to R05H

The Align mode is executed only when using the commutator feature of the HCTL-1101. This mode automatically aligns multiphase motors to the HCTL-1101's internal Commutator.

The Align mode can be entered only from the Initialization/Idle mode by writing 02H to the Program Counter register (R05H).

Before attempting to enter the Align mode, the user should clear all control mode flags and set both the Command Position registers (R0CH, R0DH, and R0EH) and the Actual Position registers (R12H, R13H, and R14H) to zero. After the Align mode has been executed, the HCTL-1101 will automatically enter the Position Control mode and go to position zero. By following this procedure, the largest movement in the Align mode will be one torque cycle of the motor.

The Align mode assumes: the encoder $\overline{\text{INDEX}}$ pulse has been physically aligned to the last motor phase during encoder/motor assembly, the Commutator parameters have been correctly preprogrammed (see the section called Commutator for details), and a hard reset has been executed while the motor is stationary.

The Align mode first disables the Commutator and with open loop control enables the first phase (PHA) and then the last phase (PHC or PHD) to orient the motor on the last phase torque detent. Each phase is energized for 2048 system sampling periods (t). For proper operation, the motor must come to a complete stop during the last phase enable. At this point the Commutator is enabled and commutation is closed loop.

The HCTL-1101 then automatically switches from the Align mode to Position Control mode.

Control Modes

Control flags F0, F3, and F5 in the Flag register (R00H) determine which control mode is executed. Only one control flag can be set at a time. After one of these control flags is set, the control modes are entered either automatically from Align or from the Initialization/Idle mode by writing 03H to the Program Counter (R05H).

Position Control Mode

Flags: F0 Cleared
 F3 Cleared
 F5 Cleared

Registers Used:

Register	Function
R00H R00D	Flag Register
R12H R18D	Read Actual Position MSB
R13H R19D	Read Actual Position
R14H R20D	Read Actual Position LSB
R0CH R12D	Command Position MSB
R0DH R13D	Command Position
R0EH R14D	Command Position LSB

Position Control performs point-to-point position moves with no velocity profiling. The user specifies a 24-bit position command, which the controller compares to the 24-bit actual position. The position error is calculated, the full

digital lead compensation is applied and the motor command is output.

The controller will remain position-locked at a destination until a new position command is given.

The actual and command position data is 24-bit two's-complement data stored in six 8-bit registers. Position is measured in encoder quadrature counts. The command position resides in R0CH (MSB), R0DH, R0EH (LSB). Writing to R0EH latches all 24 bits at once for the control algorithm. Therefore, the command position is written in the sequence R0CH, R0DH and R0EH. The command registers can be read in any desired order.

The actual position resides in R12H (MSB), R13H, and R14H (LSB). Reading R14H latches the upper two bytes into an internal buffer. Therefore, Actual Position registers are read in the order of R14H, R13H, and R12H for correct instantaneous position data.

The largest position move possible in Position Control mode is 7FFFFFFH (8,388,607D) quadrature encoder counts.

Proportional Velocity Mode

Flags: F0 Cleared
 F3 Set
 F5 Cleared

Registers Used:

Register	Function
R00H R00D	Flag Register
R23H R35D	Command Velocity LSB
R24H R36D	Command Velocity MSB
R34H R52D	Actual Velocity LSB
R35H R53D	Actual Velocity MSB

Proportional Velocity Control performs control of motor speed using only the gain factor, K, for compensation. The dynamic pole and zero lead compensation are not used. (See the "Digital Filter" section of this data sheet.

Example Code to Program Position Moves

```

{ Begin }
  Hard Reset { HCTL-1101 goes into INIT/IDLE Mode }

  Initialize Filter, Timer, Command Position Registers

  Write 03H to Register R05H
    { HCTL-1101 is now in Position Mode }

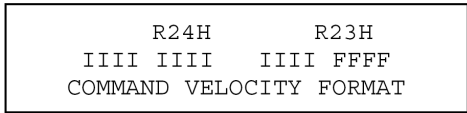
  Write Desired Command Position to Command Position Registers
    { Controller Moves to new position }

  Continue writing in new Command Positions
{ end }

```

The command and actual velocity are 16-bit two's-complement words.

The command velocity resides in registers R24H (MSB) and R23H (LSB). These registers are unlatched which means that the command velocity will change to a new velocity as soon as the value in either R23H or R24H is changed. The registers can be read or written to in any order.



The units of velocity are quadrature counts/sample time. To convert from rpm to quadrature counts/sample time, use the formula shown below:

Where:

V_q = velocity in quadrature counts/sample time

V_r = velocity in rpm

N = 4 times the number of slots in the codewheel
(i.e., quadrature counts).

t = The HCTL-1101 sample time in seconds.

(See the section on the HCTL-1101's Sample Timer register).

Because the Command Velocity registers (R24H and R23H) are internally interpreted by the HCTL-1101 as 12 bits of integer and 4 bits of fraction, the host processor must multiply the desired command velocity (in quadrature counts/sample time) by 16 before programming it into the HCTL-1101's Command Velocity registers.

Example Code for Programming Proportional Velocity Mode

```

{ Begin }
  Hard Reset { HCTL-1101 goes into INIT/IDLE Mode }

  Initialize Filter, Timer, Command Position Registers

  Write 03H to Register R05H
    { HCTL-1101 is now in Position Mode }

  Write Desired Command Velocity (if needed)

  Set Flag F3 {Proportional Velocity Move Begins}

  { System ramps to Command Velocity }

  Continue writing new Command Velocities
{end}

```

The actual velocity is computed only in this algorithm and stored in scratch registers R35H (MSB) and R34H (LSB). There is no fractional component in the actual velocity registers and they can be read in any order.

The controller tracks the command velocity continuously until new mode command is given. The system behavior after a new velocity command is governed only by the system dynamics until a steady state velocity is reached.

Integral Velocity Mode

- Flags: F0 Cleared
- F3 Cleared
- F5 Set to begin move

Registers Used:

Register	Function
R00H R00D	Flag Register
R26H R38D	Acceleration LSB
R27H R39D	Acceleration MSB
R3CH R60D	Command Velocity

Integral Velocity Control performs continuous velocity profiling which is specified by command velocity and command acceleration. Figure 13 shows the capability of this control algorithm.

The user can change velocity and acceleration any time to continuously profile velocity in time. Once the specified velocity is reached, the HCTL-1101 will maintain that

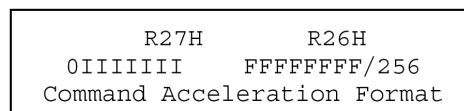
velocity until a new command is specified. Changes between actual velocities occur at the presently specified linear acceleration.

The command velocity is an 8-bit two's-complement word stored in R3CH. The units of velocity are quadrature counts/sample time.

The conversion from rpm to quadrature counts/sample time is shown in equation 9. The Command Velocity register (R3CH) contains only integer data and has no fractional component.

While the overall range of the velocity command is 8 bits, two's-complements, the difference between any two sequential commands cannot be greater than 7 bits in magnitude (i.e., 127 decimal). For example, when the HCTL-1101 is executing a command velocity of 40H (+64D), the next velocity command must fall in the range of 7FH (+127D), the maximum command range, C1H (-63D), the largest allowed difference.

The command acceleration is a 16-bit scalar word stored in R27H and R26H. The upper byte (R27H) is the integer part and the lower byte (R26H) is the fractional part provided for resolution. The integer part has a range of 00H to 7FH. The contents of R26H are internally divided by 256 to produce the fractional resolution.



The units of acceleration are quadrature counts/sample time squared. To convert from rpm/sec to quadrature counts/[sample time]², use the formula shown below:

$$A_q = (A_r)(N)(t^2)(0.01667/\text{rpm-sec}) \quad [10]$$

Where:

A_q = Acceleration in quadrature counts/[sample time]²

A_r = Acceleration in rpm/sec

N = 4 times the number of slots in the codewheel
(i.e., quadrature counts)

T = The HCTL-1101 sample time in seconds.

(See the section on the HCTL-1101's Sample Timer register) Because the Command Acceleration registers (R27H and R26H) are internally interpreted by the HCTL-1101 as 8 bits of integer and 8 bits of fraction, the host processor must multiply the desired command acceleration (in quadrature counts/[sample time]²) by 256 before programming it into the HCTL-1101's Command Acceleration registers.

Internally, the controller performs velocity profiling through position control.

Each sample time, the internal profile generator uses the information which the user has programmed into the Command Velocity register (R3CH) and the Command Acceleration registers (R27H and R26H) to determine the value which will be automatically loaded into the Command Position registers (R0CH, RODH, and R0EH). After the new command position has been generated, the difference between the values in the Actual Position registers (R12-R13H, and R14H) and the new value in the Command Position registers is calculated as the new position error. This new position error is used by the full digital compensation filter to compute a new motor command output by this sample time. The register block in Figure 3 further shows how the internal profile generator works in Integral Velocity mode. In control theory terms, integral compensation has been added and therefore, this system has zero steady-state error.

Although Integral Velocity Control mode has the advantage over Proportional Velocity mode of zero steady state velocity error, its disadvantage is that the closed loop stability is more difficult to achieve. In Integral Velocity Control mode the system is actually a position control system and therefore the complete dynamic compensation $D(z)$ is used.

If the external $\overline{\text{STOP}}$ flag F6 is set during this signaling an emergency situation, the controller automatically decelerates to zero velocity at the presently specified acceleration factor and stays in this condition until the flag is cleared. The user then can specify new velocity profiling data.

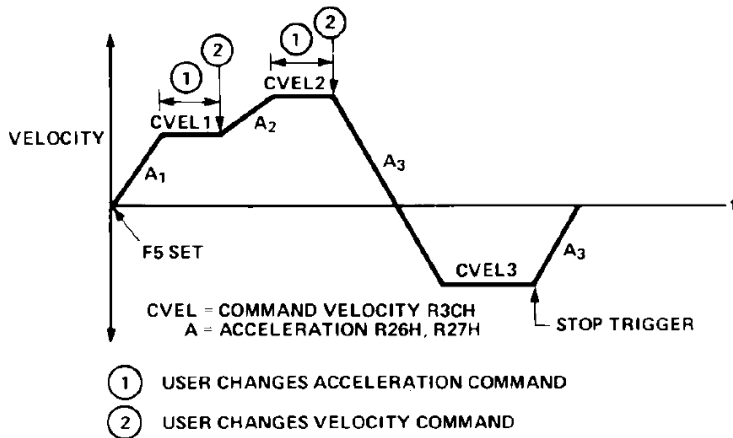


Figure 13. Integral Velocity Modes.

Trapezoid Profile Mode

Flags: F0 Set to begin move

F3 Cleared

F5 Cleared

Registers Used:

Register	Function
R00H R00D	Flag Register velocity
R07H R07D	Status Register
R12H R18D	Read Actual Position MSB
R13H R19D	Read Actual Position
R14H R20D	Read Actual Position LSB
R29H R41D	Final Position LSB
R2AH R42D	Final Position
R2BH R43D	Final Position MSB
R26H R38D	Acceleration LSB
R27H R39D	Acceleration MSB
R28H R40D	Maximum Velocity

Trapezoid Profile Control performs point-to-point position moves and profiles the velocity trajectory to a trapezoid or triangle. The user specifies only the desired final position, acceleration and maximum velocity. The controller computes the necessary profile to conform to the command data. If maximum velocity is reached before the distance halfway point, the profile will be trapezoidal; otherwise the profile will be triangular. Figure 14 shows the possible trajectories with Trapezoidal Profile Control.

The command data for trapezoidal Profile Control mode consists of a final position, command acceleration, and a maximum velocity. The 24-bit two's-complement final position is written to registers R2BH, (MSB), R2AH, and R29H (LSB). The 16-bit command acceleration resides in registers R27H (MSB) and R26H (LSB). The command acceleration has the same integer and fraction format as discussed in the Integral Velocity Control mode section. The 7-bit maximum velocity is a scalar value with the range of 00H to 7FH (0D to 127D). The maximum velocity has the units of quadrature counts per sample time, and resides in register R28H. The command data registers may be read or written to in any order.

Example Code for Programming Integral Velocity Mode

```
(Begin)
  Hard Reset {HCTL-1101 goes into INIT/IDLE Mode}

  Initialize Filter, Timer, Command Position Registers

  Write 03H to Register R05H
    {HCTL-1101 is now in Position Mode}

  Write Desired Acceleration (if needed)

  Write Desired Maximum Velocity (if needed)

  Set Flag F5 {Integral Velocity Move Begins}

  {System ramps to Maximum Velocity}

  Continue writing new Accelerations and Velocities
{ end }
```

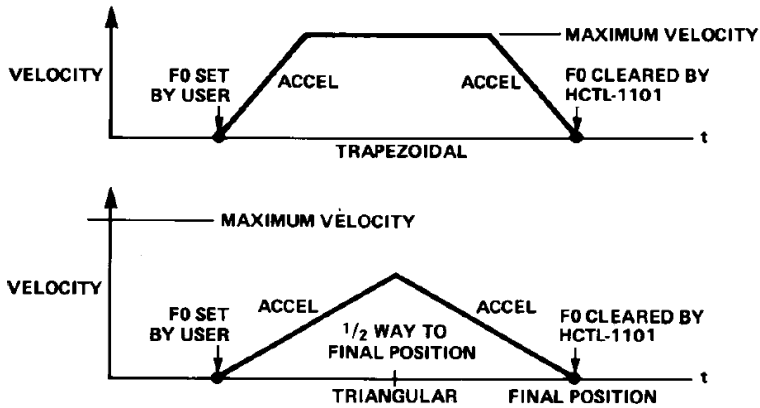


Figure 14. Trapezoidal Profile Mode.

The internal profile generator produces a position profile using the present Command Position (R0CH-R0EH) as the starting point and the Final Position (R2BH-R29H) as the end point.

Once the desired data is entered, the user sets flag F0 in the Flag register (R00H) to commence motion (if the HCTL-1101 is already in Position Control mode).

When the profile generator sends the last position command to the Command Position registers to complete the trapezoidal move, the controller clears flag F0. The HCTL-1101 then automatically goes to Position Control mode with the final position of the trapezoidal move as the command position.

When the HCTL-1101 clears flag F0 it does NOT indicate that the motor and encoder are at the final position NOR that the motor and encoder have stopped. The flag indicates that the command profile has finished. The motor and encoder's true position can only be determined by reading the Actual Position registers. The only way to determine if the motor and encoder have stopped is to read the Actual Position registers at successive intervals.

The status of the Profile flag can be monitored both in the Status register (R07) and at the external Profile pin at any time. While the Profile flag is high NO new command data should be sent to the controller.

Each sample time, the internal profile generator uses the information which the user has programmed into the Maximum Velocity register (R28H), the Command Acceleration registers (R27H and R26H), and the Final Position registers (R2BH, R2AH, and R29H) to determine the value which will be automatically loaded into the Command Position registers (R0EH, R0DH, and R0CH). After the new command position has been generated, the difference between the value in the Actual Position registers (R12H, R13H, and R14H) and the new value in the Command Position registers is calculated as the new position error. This new position error is used by the full digital compensation filter to compute a new motor command output for the sample time. (The register block diagram in Figure 3 further shows how the internal profile generator works in Trapezoidal Profile mode.)

Example Code for Programming Trapezoid Moves

```
{ Begin }
  Hard Reset { HCTL-1101 goes into INIT/IDLE Mode }

  Initialize Filter, Timer, Command Position Registers

  Write 03H to Register R05H
    { HCTL-1101 is now in Position Mode }

  { Profile #1}

  Write Desired Acceleration

  Write Desired Maximum Velocity

  Write Final Position

  Set Flag F0 {Trapezoid Move Begins, PROF pin goes high}

  Poll PROF pin until it goes low (Move is complete)

  { Profile #2}

  Write Desired Acceleration

  Write Desired Maximum Velocity

  Write Final Position

  Set Flag F0 {Trapezoid Move Begins, PROF pin goes high}

  Poll PROF pin until it goes low (Move is complete)

  { Repeat }
  .
  .
  .
  .
{ end }
```

Applications of the HCTL-1101

Interfacing the HCTL-1101 to Host Processors

The HCTL-1101 looks to the host microprocessor like a bank of 8-bit registers to which the host processor can read and write (i.e., the host processor treats the HCTL-1101 like RAM). The data in these registers controls the operation of the HCTL-1101. The host processor communicates to the HCTL-1101 over a bidirectional multiplexed 8-bit data bus. The four I/O control lines, $\overline{\text{ALE}}$, $\overline{\text{CS}}$, OE, and R/W execute the data transfer (see Figure 15).

There are three different timing configuration which can be used to give the user greater flexibility to interface HCTL-1101 to most microprocessors (see timing diagrams). They are differentiated from one another by the arrangement of the $\overline{\text{ALE}}$ signal with respect to the $\overline{\text{CS}}$ signal. The three timing configuration are listed below:

- $\overline{\text{ALE}}$, $\overline{\text{CS}}$ non-overlapped
- $\overline{\text{ALE}}$, $\overline{\text{CS}}$ overlapped
- $\overline{\text{ALE}}$ within $\overline{\text{CS}}$

Any I/O operation starts by asserting the $\overline{\text{ALE}}$ signal which starts sampling the external bus into an internal address latch. Rising $\overline{\text{ALE}}$ or falling $\overline{\text{CS}}$ during $\overline{\text{ALE}}$ stops the sampling into the address latch.

$\overline{\text{CS}}$ low after rising $\overline{\text{ALE}}$ samples the external bus into the data latch. Rising $\overline{\text{CS}}$ stops the sampling into the data latch, and starts the internal synchronous process.

In the case of a write, the data in the data latch is written into the addressed location. In the case of a read, the addressed location is written into an internal output latch.

\overline{OE} low enables the internal outputs latch onto the external bus. The \overline{OE} signal and the internal output latch allow the I/O port to be flexible and avoid bus conflicts during read operations.

It is important that the host microprocessor does not attempt to perform too many I/O operations in a single sample time of the HCTL-1101. Each I/O operation interrupts the execution of the HCTL-1101's internal code for 1 clock cycle.

Although extra clock cycles have been allotted in each sample time for I/O operations, the number of extra cycles is reduced as the value programmed into the Sample Timer register (ROFH) is reduced.

Table 5 shows the maximum number of I/O operations allowed under the given conditions.

The number of external clock cycles available for I/O operations in any of the four control modes can be increased by increasing the value in the Sample Timer register (ROFH).

For every unit increase in the Sample Timer register (ROFH)

above the minimums shown in Table 5 the user may perform 16 additional I/O operations per sample time.

Interfacing the HCTL-1101 to Amplifiers and Motors

The Motor Command port is the ideal interface to an 8-bit DAC, configured for bipolar output. The data written to the 8-bit Motor Command port by the control algorithms is the internally computed 2's-complement motor command with an 80H offset added. This allows direct interfacing to a DAC. Figure 16 shows a typical DAC interface to the HCTL-1101. An inexpensive DAC, such as MC1408 or equivalent, has its digital inputs directly connected to the Motor Command port. The DAC produces an output current which is converted to a voltage by an operational amplifier. RO and RG control the analog offset and gain.

The circuit is easily adjusted for +5 V to -5 V operations by first writing 80H to R08H and adjusting RO for 0 V output. Then FFH is written to R08H and R is Adjusted until the output is 5 V. Note that 00H in R08H corresponds to -5 V out. Figure 17 shows an example of how to interface the HCTL-1101 to an H-bridge amplifier. An H-bridge amplifier allows bipolar motor operation with a unipolar power supply.

Table 5. Maximum Number of I/O Allowed

Sample Timer Register Value	Operating Mode	Maximum Number of I/O Operations Allowed per Sample
07H (07D)	Position Control or Prop. Vel. Control	5
0FH (15D)	Position Control or Prop. Vel. Control	133
	Trapezoidal Prof. or Integral Vel. Control	6

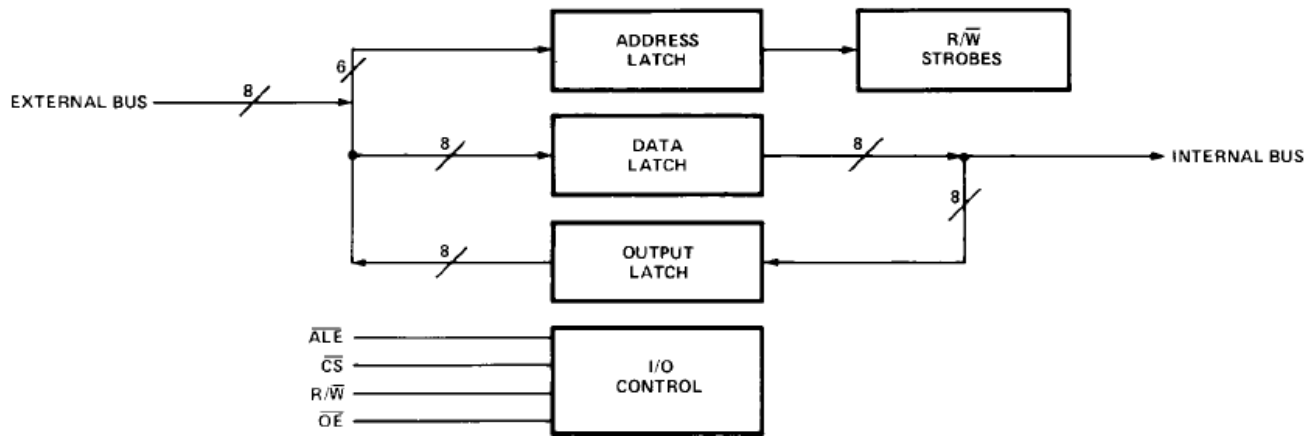


Figure 15. I/O Port Block Diagram.

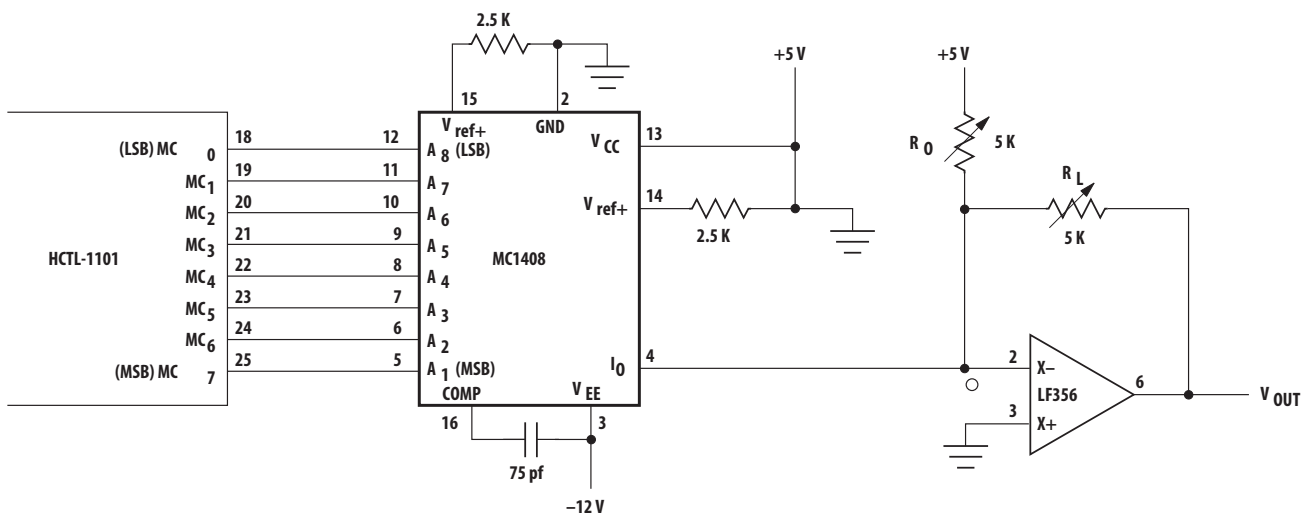


Figure 16. Linear Amplifier Interface.

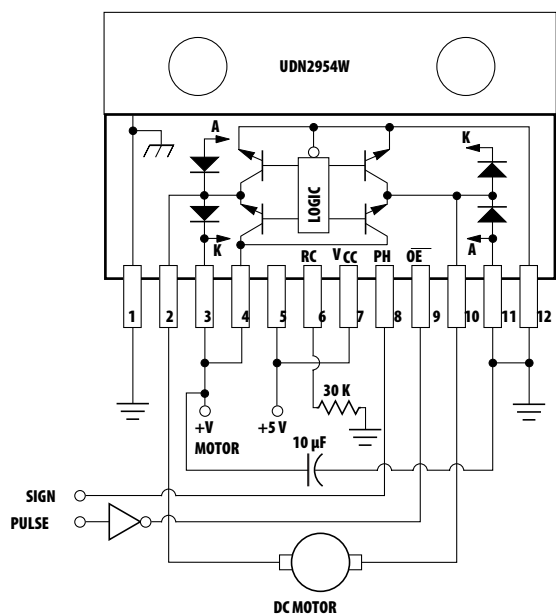


Figure 17. H-Bridge Amplifier Interface.

Additional Information from Avago Technologies

Application notes and Application briefs regarding the HCTL-1101 are from the Avago Technologies Motion Control Factory.

Please contact your local Avago sales representative for more information.

Ordering Information

HCTL-1101: 40 Pin DIP Package

HCTL-1101 #PLC: 44 PIN PLCC Package

For product information and a complete list of distributors, please go to our web site: www.avagotech.com

Avago, Avago Technologies, and the A logo are trademarks of Avago Technologies in the United States and other countries.
Data subject to change. Copyright © 2005-2009 Avago Technologies. All rights reserved.
AV02-1257EN - September 30, 2009

