

HD14024B

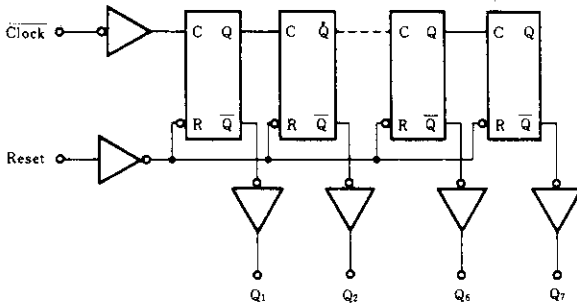
Seven Stage Ripple Counter

The HD14024B is a seven stage ripple counter with short propagation delays and high maximum clock rates. The Reset input has standard noise immunity (typically 45% of V_{DD}), however the Clock input has increased noise immunity due to Hysteresis, with no maximum Clock input rise or fall time. The Output of each counter stage is buffered.

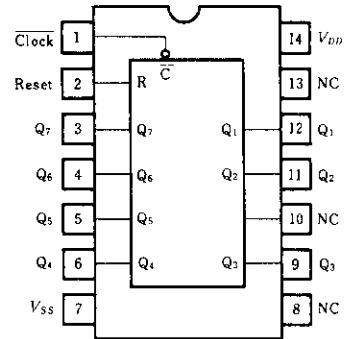
FEATURES

- Quiescent Current $\dot{I} = 5nA/pkg$ typ. @5V
- 8-MHz Operation @10V typ.
- Supply Voltage Range = 3 to 18V
- Capable of Driving One Low-power Schottky TTL Load Over the Rated Temperature Range
- Pin-for-Pin Replacement for CD4024B and MC14024B

LOGIC DIAGRAM



PIN ARRANGEMENT



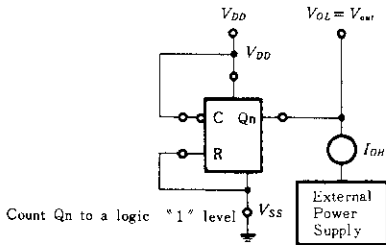
(Top View)

TRUTH TABLE

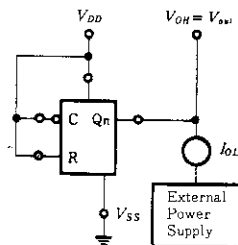
Clock	Reset	Outputs State
L	L	No Change
L	H	All Outputs are low
H	L	No Change
H	H	All Outputs are low
↗	L	No Change
↘	H	All Outputs are low
↖	L	Advance to next state
↙	H	All Outputs are low

DC CHARACTERISTIC TEST CIRCUIT

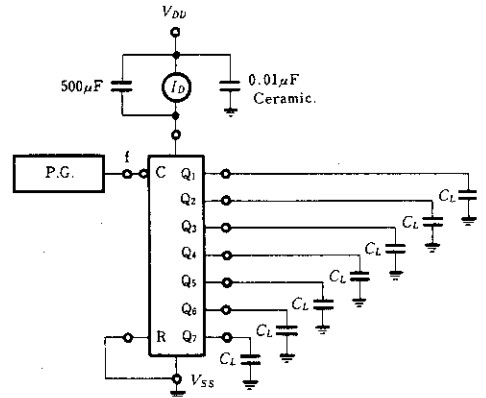
• I_{OH}



• I_{OL}



POWER DISSIPATION TEST CIRCUIT



ELECTRICAL CHARACTERISTICS

Characteristic	Symbol	$V_{DD}(V)$	Test Conditions	-40°C		25°C			85°C		Unit
				min	max	min	typ	max	min	max	
Output Voltage	V_{OL}	5.0	$V_{in} = V_{DD}$ or 0	—	0.05	—	0	0.05	—	0.05	V
		10		—	0.05	—	0	0.05	—	0.05	
		15		—	0.05	—	0	0.05	—	0.05	
	V_{OH}	5.0	$V_{in} = 0$ or V_{DD}	4.95	—	4.95	5.0	—	4.95	—	V
		10		9.95	—	9.95	10	—	9.95	—	
		15		14.95	—	14.95	15	—	14.95	—	
Input Voltage	V_{IL}	5.0	$V_{out} = 4.5$ or $0.5V$	—	1.5	—	2.25	1.5	—	1.5	V
		10	$V_{out} = 9.0$ or $1.0V$	—	3.0	—	4.50	3.0	—	3.0	
		15	$V_{out} = 13.5$ or $1.5V$	—	4.0	—	6.75	4.0	—	4.0	
	V_{IH}	5.0	$V_{out} = 0.5$ or $4.5V$	3.5	—	3.5	2.75	—	3.5	—	V
		10	$V_{out} = 1.0$ or $9.0V$	7.0	—	7.0	5.50	—	7.0	—	
		15	$V_{out} = 1.5$ or $13.5V$	11.0	—	11.0	8.25	—	11.0	—	
Output Drive Current	I_{OH}	5.0	$V_{OH} = 2.5V$	-1.0	—	-0.8	-1.7	—	-0.6	—	mA
		5.0	$V_{OH} = 4.6V$	-0.2	—	-0.16	-0.36	—	-0.12	—	
		10	$V_{OH} = 9.5V$	-0.5	—	-0.4	-0.9	—	-0.3	—	
	I_{OL}	15	$V_{OH} = 13.5V$	-1.4	—	-1.2	-3.5	—	-1.0	—	
		5.0	$V_{OL} = 0.4V$	0.52	—	0.44	0.88	—	0.36	—	mA
		10	$V_{OL} = 0.5V$	1.3	—	1.1	2.25	—	0.9	—	
15	$V_{OL} = 1.5V$	3.6	—	3.0	8.8	—	2.4	—			
Input Current	I_{in}	15		—	± 0.3	—	± 0.00001	± 0.3	—	± 1.0	μA
Input Capacitance	C_{in}		$V_{in} = 0$	—	—	—	5.0	7.5	—	—	pF
Quiescent Current	I_{DD}	5.0	Zero Signal, per Package	—	20	—	0.005	20	—	150	μA
		10		—	40	—	0.010	40	—	300	
		15		—	80	—	0.015	80	—	600	
Total Supply Current*	I_T	5.0	Dynamic + I_{DD} ,	—	—	—	0.31	—	—	—	μA
		10	Per Gate	—	—	—	0.60	—	—	—	
		15	$C_L = 50pF, f = 1kHz$	—	—	—	0.89	—	—	—	

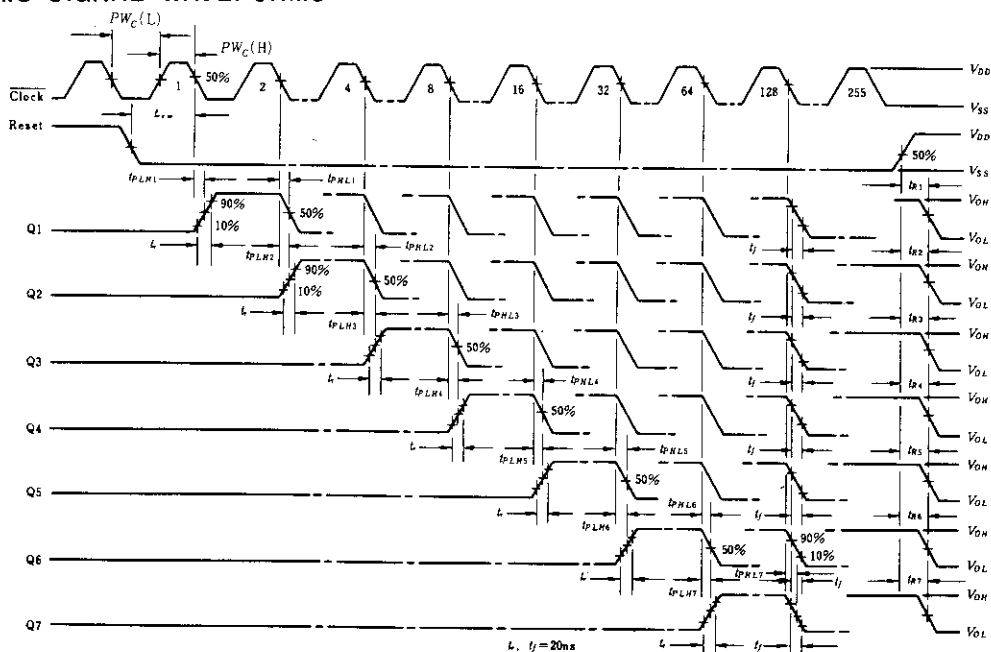
* To calculate total supply current at frequency other than 1kHz.

@ $V_{DD} = 5.0V$ $I_T = (0.31\mu A/kHz)f + I_{DD}$. @ $V_{DD} = 10V$ $I_T = (0.60\mu A/kHz)f + I_{DD}$. @ $V_{DD} = 15V$ $I_T = (0.89\mu A/kHz)f + I_{DD}$

■ SWITCHING CHARACTERISTICS ($C_L=50\text{pF}$, $T_a=25^\circ\text{C}$)

Characteristic		Symbol	$V_{DD}(\text{V})$	min	typ	max	Unit
Output Rise Time		t_r	5.0	—	180	400	ns
			10	—	90	200	
			15	—	65	160	
Output Fall Time		t_f	5.0	—	100	250	ns
			10	—	50	150	
			15	—	37	100	
Propagation Delay Time	Clock to Q_1	t_{PLH} t_{PHL}	5.0	—	380	600	ns
			10	—	150	230	
			15	—	110	175	
	Clock to Q_7		5.0	—	1,000	3,000	
			10	—	400	750	
			15	—	300	565	
	Reset to Q_n		5.0	—	500	800	
			10	—	250	400	
			15	—	180	300	
Clock Pulse Width	PW_C	5.0	500	200	—	ns	
		10	165	60	—		
		15	125	40	—		
Reset Pulse Width	PW_R	5.0	600	375	—	ns	
		10	350	200	—		
		15	260	150	—		
Reset Removal Time	t_{rem}	5.0	625	250	—	ns	
		10	190	75	—		
		15	145	50	—		
Clock Pulse Rise and Fall Time	t_r, t_f	5.0	No Limit				
		10					
		15					
Clock Frequency	f_{max}	5.0	—	2.5	1.0	MHz	
		10	—	8.0	3.0		
		15	—	12	4.0		

■ DYNAMIC SIGNAL WAVEFORMS





Hitachi Code	DP-14
JEDEC	Conforms
EIAJ	Conforms
Weight (reference value)	0.97 g

Cautions

1. Hitachi neither warrants nor grants licenses of any rights of Hitachi's or any third party's patent, copyright, trademark, or other intellectual property rights for information contained in this document. Hitachi bears no responsibility for problems that may arise with third party's rights, including intellectual property rights, in connection with use of the information contained in this document.
2. Products and product specifications may be subject to change without notice. Confirm that you have received the latest product standards or specifications before final design, purchase or use.
3. Hitachi makes every attempt to ensure that its products are of high quality and reliability. However, contact Hitachi's sales office before using the product in an application that demands especially high quality and reliability or where its failure or malfunction may directly threaten human life or cause risk of bodily injury, such as aerospace, aeronautics, nuclear power, combustion control, transportation, traffic, safety equipment or medical equipment for life support.
4. Design your application so that the product is used within the ranges guaranteed by Hitachi particularly for maximum rating, operating supply voltage range, heat radiation characteristics, installation conditions and other characteristics. Hitachi bears no responsibility for failure or damage when used beyond the guaranteed ranges. Even within the guaranteed ranges, consider normally foreseeable failure rates or failure modes in semiconductor devices and employ systemic measures such as fail-safes, so that the equipment incorporating Hitachi product does not cause bodily injury, fire or other consequential damage due to operation of the Hitachi product.
5. This product is not designed to be radiation resistant.
6. No one is permitted to reproduce or duplicate, in any form, the whole or part of this document without written approval from Hitachi.
7. Contact Hitachi's sales office for any questions regarding this document or Hitachi semiconductor products.

HITACHI

Hitachi, Ltd.

Semiconductor & Integrated Circuits.
Nippon Bldg., 2-6-2, Ohte-machi, Chiyoda-ku, Tokyo 100-0004, Japan
Tel: Tokyo (03) 3270-2111 Fax: (03) 3270-5109

URL North America : <http://semiconductor.hitachi.com/>
 Europe : <http://www.hitachi-eu.com/hel/ecg>
 Asia (Singapore) : <http://www.has.hitachi.com.sg/grp3/sicd/index.htm>
 Asia (Taiwan) : http://www.hitachi.com.tw/E/Product/SICD_Frame.htm
 Asia (HongKong) : <http://www.hitachi.com.hk/eng/bo/grp3/index.htm>
 Japan : <http://www.hitachi.co.jp/Sicd/indx.htm>

For further information write to:

Hitachi Semiconductor
(America) Inc.
179 East Tasman Drive,
San Jose, CA 95134
Tel: <1> (408) 433-1990
Fax: <1> (408) 433-0223

Hitachi Europe GmbH
Electronic components Group
Dornacher Straße 3
D-85622 Feldkirchen, Munich
Germany
Tel: <49> (89) 9 9180-0
Fax: <49> (89) 9 29 30 00

Hitachi Europe Ltd.
Electronic Components Group.
Whitebrook Park
Lower Cookham Road
Maidenhead
Berkshire SL6 8YA, United Kingdom
Tel: <44> (1628) 585000
Fax: <44> (1628) 778322

Hitachi Asia Pte. Ltd.
16 Collyer Quay #20-00
Hitachi Tower
Singapore 049318
Tel: 535-2100
Fax: 535-1533

Hitachi Asia Ltd.
Taipei Branch Office
3F, Hung Kuo Building, No.167,
Tun-Hwa North Road, Taipei (105)
Tel: <886> (2) 2718-3666
Fax: <886> (2) 2718-8180

Hitachi Asia (Hong Kong) Ltd.
Group III (Electronic Components)
7/F., North Tower, World Finance Centre,
Harbour City, Canton Road, Tsim Sha Tsui,
Kowloon, Hong Kong
Tel: <852> (2) 735 9218
Fax: <852> (2) 730 0281
Telex: 40815 HITEC HX

Copyright ' Hitachi, Ltd., 1999. All rights reserved. Printed in Japan.

HITACHI