
HD151011

Dual BCD Programmable Counter with Synchronous Preset Enable

HITACHI

ADE-205-100(Z)

Rev 0

April 1995

The HD151011 has BCD decimal two digits down counter and D-type Flip Flop. The counter can set up to max 99 counts and synchronous preset ($\overline{\text{SPE}}$) input can preset the data. When the count value is 0, the next clock pulse presets the data to invert the output. D-type Flip Flop takes the counter output as clock pulse, whose data is transferred to output at the rise edge. It is applied to generate AC signal for STN type liquid crystal and general-use divider.

Features

- High speed operation
tpd (CLK or $\overline{\text{CLK}}$ to Q) = 35 ns (typ)
- High output current
Fanout of 10 LS TTL Loads
- Wide operating voltage
Vcc = 2 to 6 V
- Low supply current (Ta = 25°C)
Icc (Static) = 4 μA (max)

Function Table**Control Inputs**

CLR	PR	$\overline{\text{SPE}}$	$\overline{\text{C/T}}$	Mode	Operation Description
H	H	H	X	Generally count	Down count at the rise edge of clock (CLK), Down count at the fall edge of clock ($\overline{\text{CLK}}$)
X	X	L	X	Synchronous preset	Jn data is preset at the rise of clock (CLK), the fall of clock (CLK)
—	—	—	H	—	Clock inputs (CLK, $\overline{\text{CLK}}$) is CMOS level
—	—	—	L	—	Clock inputs (CLK, $\overline{\text{CLK}}$) is TTL level
L	H	—	—	Initialize of Q output	Initialize of Q = "L"
H	L	—	—	Initialize of Q output	Initialize of Q = "H"

H: High level

L: Low level

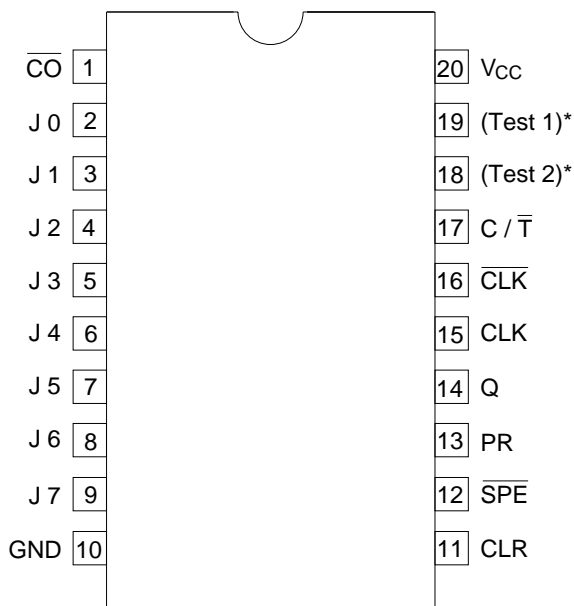
Z: Immaterial

—: Irrespective of condition

1. Synchronous preset ($\overline{\text{SPE}}$) input can set max 99 down counts.
2. When the count value is 0, the next clock pulse presets the data to invert the output.
3. CLR and PR inputs initialize output state.
4. Clock inputs (CLK, $\overline{\text{CLK}}$) is selectable CMOS level ($V_{\text{CC}} = 2.0$ to 6.0 V) and TTL level ($V_{\text{CC}} = 4.5$ to 5.5 V)
(Jn, $\overline{\text{C/T}}$, PR, CLR and $\overline{\text{SPE}}$ inputs are CMOS level)

Note: Don't set data exceeding 99 to Jn. (J0: LSB, J7: MSB)

Pin Arrangement



(Top view)

* Pins 18 and 19 are for function test only and should be open.

Pin Description

Pin Name	Pin Description
Input pins	J0 to J7
	Count data input for option
	$\overline{C/T}$
	Level change input for CLK, \overline{CLK} (CMOS level or TTL level)
	CLK, \overline{CLK}
	Clock inputs CLK : Rise edge trigger
	\overline{CLK} : Fall edge trigger
	\overline{SPE}
	Preset input for Jn data
	PR
	Preset input for D-type Flip Flop (Initialize "L" at Q output)
	CLR
	Clear input for D-type Flip Flop (Initialize "H" at Q output)
Output pins	\overline{CO}
	Output for BCD decimal counter
	Q
	Output for D-type Flip Flop

Absolute Maximum Ratings

Item	Symbol	Ratings	Unit
Supply voltage	V_{CC}	-0.5 to 7.0	V
Input / output voltage	V_{IN} / V_{OUT}	-0.5 to $V_{CC} + 0.5$	V
VCC, GND current	I_{CC}, I_{GND}	± 50	mA
Output current / pin	I_{OUT}	± 25	mA
Power dissipation	P_T	757	mW
Storage temperature	Tstg	-65 to 150	°C
Input diode current	I_{IK}	± 20	mA
Output diode current	I_{OK}	± 20	mA

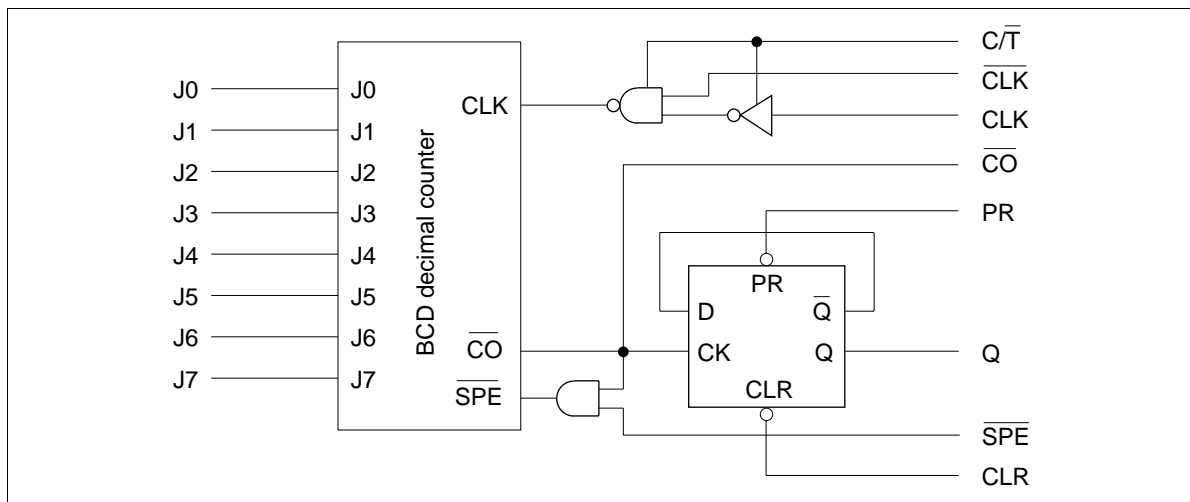
- Notes: 1. The absolute maximum ratings are values which must not individually be exceeded, and furthermore, no two of which may be realized at the same time.
2. All voltage values except for differential input voltage are with respect to network ground terminal.

Recommended Operating Conditions

Item		Symbol	Min	Typ	Max	Unit
Supply voltage		V_{CC}	2	—	6	V
Input / output voltage		V_{IN} / V_{OUT}	0	—	V_{CC}	V
Operating temperature		Topr	-40	—	+85	°C
Input rise / fall time *1	$V_{CC} = 2.5 \text{ V}$	tr, tf	0	—	1000	ns
	$V_{CC} = 4.5 \text{ V}$		0	—	500	
	$V_{CC} = 5.5 \text{ V}$		0	—	400	

- Note: 1. This item guarantees maximum limit when one input switches.

Logic Diagram



Electrical Characteristics

Item	Symbol	V _{CC}	Ta = 25°C			Ta = -40 to 85°C		Unit	Test Conditions	
			Min	Typ	Max	Min	Max			
High level input voltage	V _{IH}	2.0	1.5	—	—	1.5	—	V	J0 to J7	
		4.5	3.15	—	—	3.15	—		C/ \bar{T} , \overline{SPE}	
		6.0	4.2	—	—	4.2	—		PR, CLR	
		2.0	1.5	—	—	1.5	—		CLK, CLK	
		4.5	3.15	—	—	3.15	—		C/ \bar{T} = V _{IH}	
		6.0	4.2	—	—	4.2	—			
		4.5 to 5.5	2.0	—	—	2.0	—		C/ \bar{T} = V _{IL}	
Low level input voltage	V _{IL}	2.0	—	—	0.5	—	0.5	V	J0 to J7	
		4.5	—	—	1.35	—	1.35		C/ \bar{T} , SPE	
		6.0	—	—	1.8	—	1.8		PR, CLR	
		2.0	—	—	0.5	—	0.5		CLK, CLK	
		4.5	—	—	1.35	—	1.35		C/ \bar{T} = V _{IH}	
		6.0	—	—	1.8	—	1.8			
		4.5 to 5.5	—	—	0.8	—	0.8		C/ \bar{T} = V _{IL}	
High level output voltage	V _{OH}	2.0	1.9	2.0	—	1.9	—	V	V _{IN} = V _{IH} or V _{IL}	I _{OH} = -20 μA
		4.5	4.4	4.5	—	4.4	—			
		6.0	5.9	6.0	—	5.9	—			
		4.5	4.18	4.31	—	4.13	—			I _{OH} = -4 mA
		6.0	5.68	5.80	—	5.63	—			I _{OH} = -5.2 mA
Low level output voltage	V _{OL}	2.0	—	0.0	0.1	—	0.1	V	V _{IN} = V _{IH} or V _{IL}	I _{OL} = 20 μA
		4.5	—	0.0	0.1	—	0.1			
		6.0	—	0.0	0.1	—	0.1			
		4.5	—	0.17	0.26	—	0.33			I _{OL} = 4 mA
		6.0	—	0.18	0.26	—	0.33			I _{OL} = 5.2 mA
Input capacitance	IIN	6.0	—	—	±0.1	—	±1.0	mA	V _{IN} = V _{CC} or GND	
Supply current	I _{CC}	6.0	—	—	4.0	—	40.0	mA	V _{IN} = V _{CC} or GND	

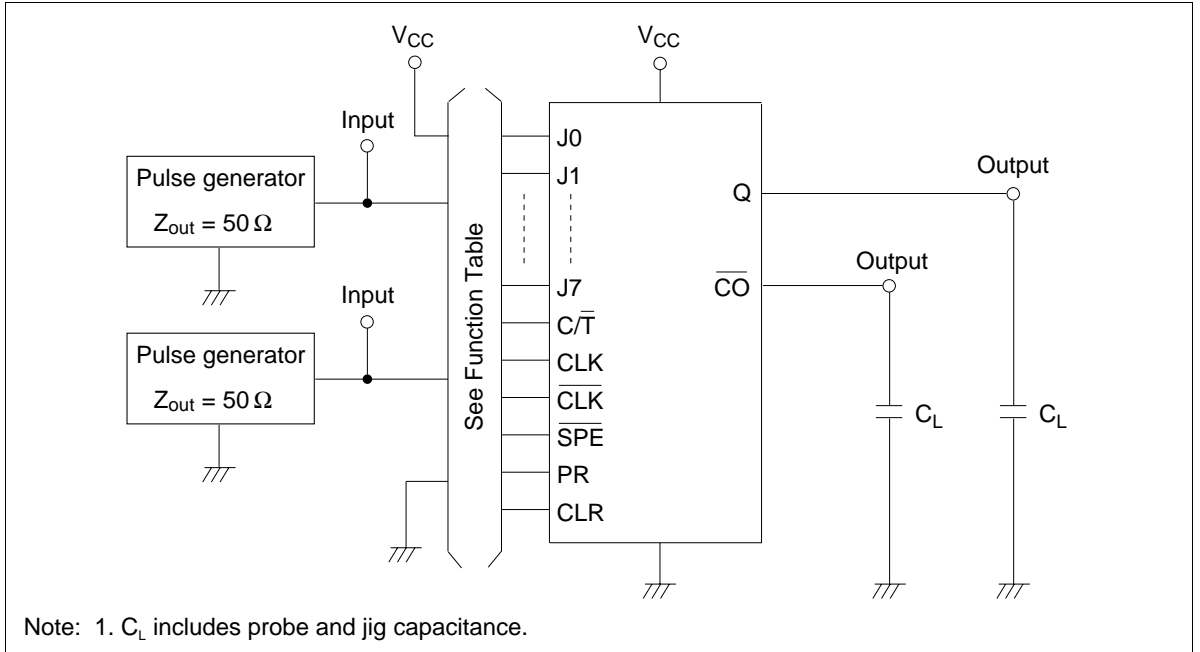
Switching Characteristics (C_L = 50 pF, tr = tf = 6 ns)

Item	Symbol	V _{CC}	Ta = 25°C			Ta = -40 to 85°C		Unit	Test Conditions	
			Min	Typ	Max	Min	Max			
Maximum clock frequency	f _{max}	2.0	—	—	4	—	3	MHz		
		4.5	—	36	20	—	16			
		6.0	—	—	24	—	19			
Output rise / fall time	t _{TLH}	2.0	—	30	75	—	95	ns		
	t _{THL}	4.5	—	8	15	—	19			
	6.0	—	7	13	—	16				
Propagation delay time	t _{PLH}	2.0	—	—	250	—	318	ns	CLK or $\overline{\text{CLK}}$ to $\overline{\text{CO}}$	
		4.5	—	30	50	—	63			
		6.0	—	—	45	—	53			
	t _{PLH}	2.0	—	—	300	—	380		CLK or $\overline{\text{CLK}}$ to Q	
		4.5	—	35	60	—	75			
		6.0	—	—	53	—	65			
	t _{PHL}	2.0	—	—	150	—	185		PR or CLR to Q	
		4.5	—	18	30	—	38			
		6.0	—	—	25	—	32			
	Pulse width (CLK, $\overline{\text{CLK}}$, PR, CLR)	tw	2.0	80	—	—	100	—	ns	
			4.5	16	—	—	20	—		
			6.0	14	—	—	17	—		
Setup time (Jn - CLK, CLK) (SPE, CLK, CLK)	ts	2.0	100	—	—	125	—	ns		
		4.5	20	—	—	25	—			
		6.0	17	—	—	21	—			
Hold time (Jn - CLK, CLK) (SPE, CLK, CLK)	th	2.0	15	—	—	15	—	ns		
		4.5	10	—	—	10	—			
		6.0	5	—	—	5	—			
Input capacitance	C _{IN}	—	—	5	10	—	10	pF		
Power dissipation capacitance	C _{PD}	—	—	48	—	—	—	pF		

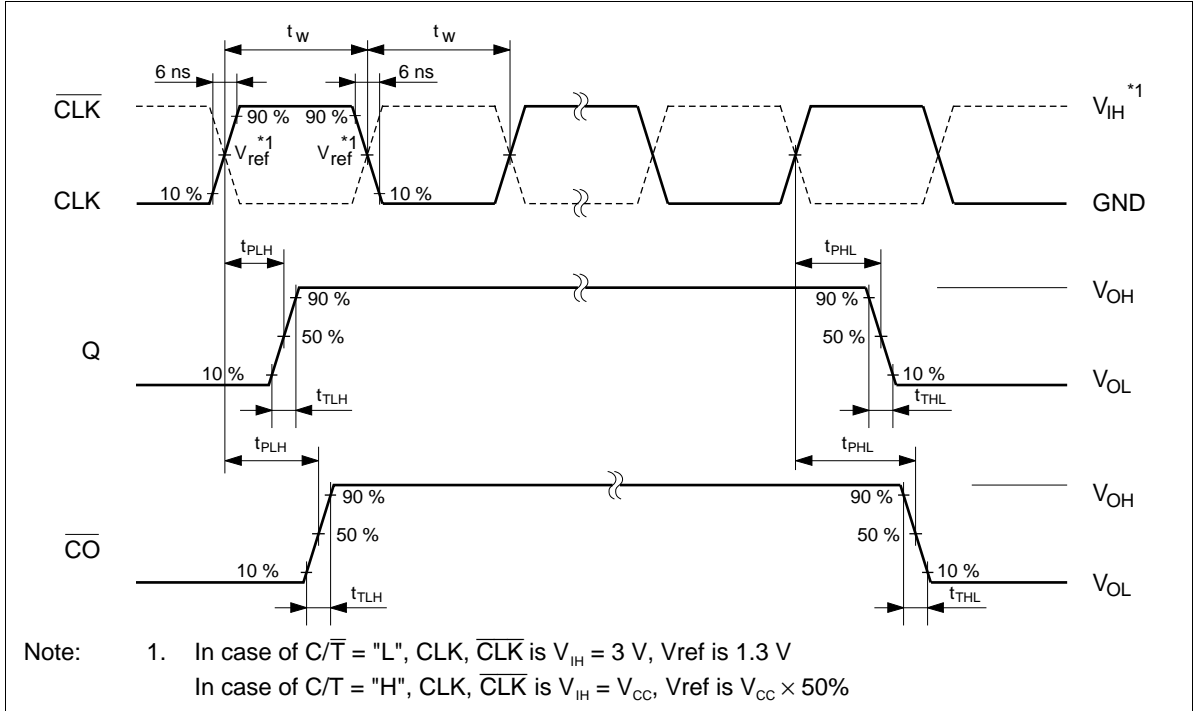
Note: 1. CPD is equivalent capacitance inside of the IC calculated from the operating current without load (see test circuit). The average operating current without load is calculated according to the expression below.

$$I_{CC}(\text{opr}) = C_{PD} V_{CC} \cdot f_{IN} + I_{CC}$$

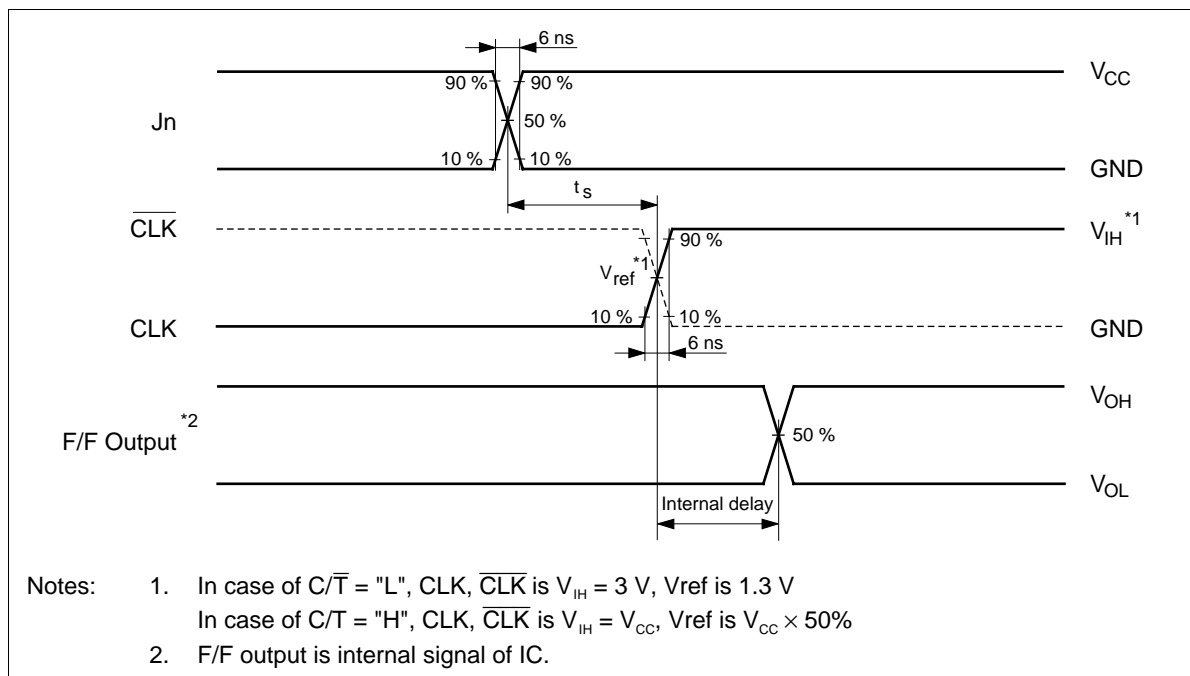
• Test Circuit



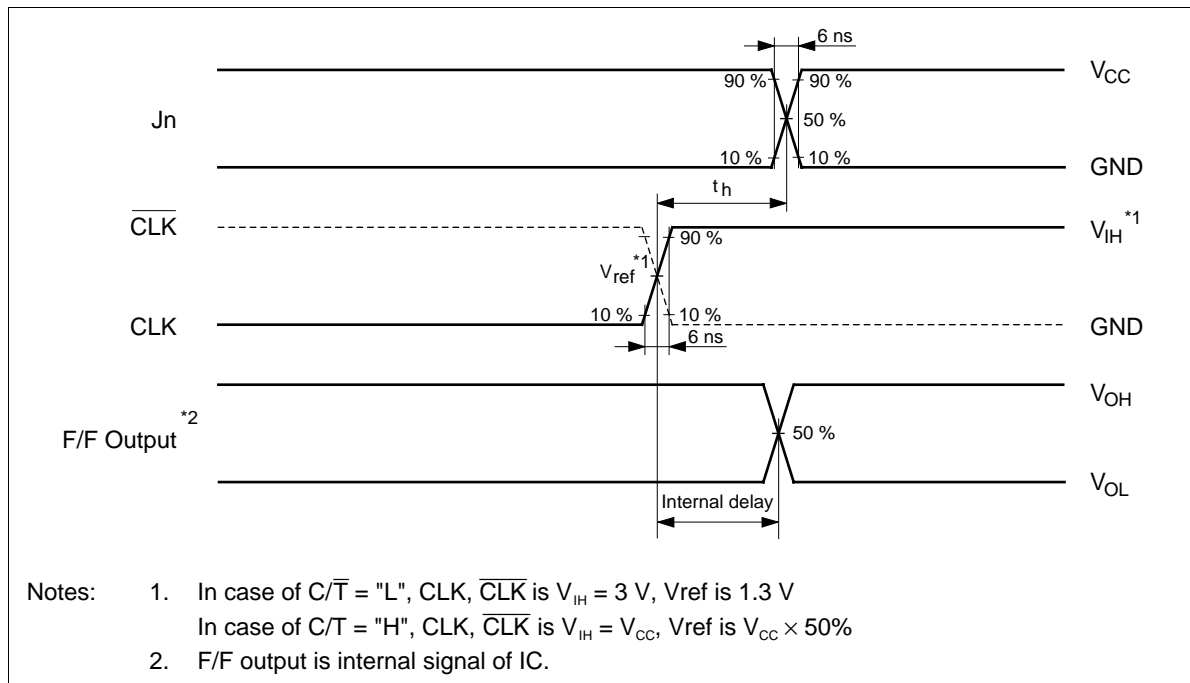
• Waveforms – 1



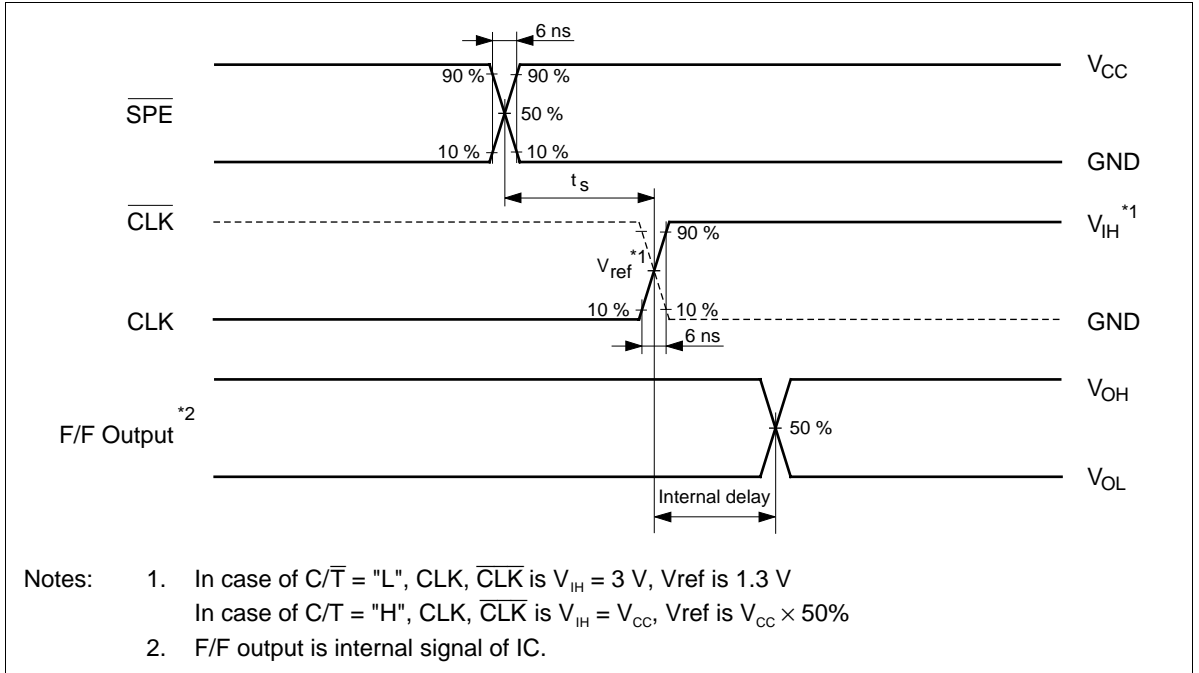
• Waveforms – 2



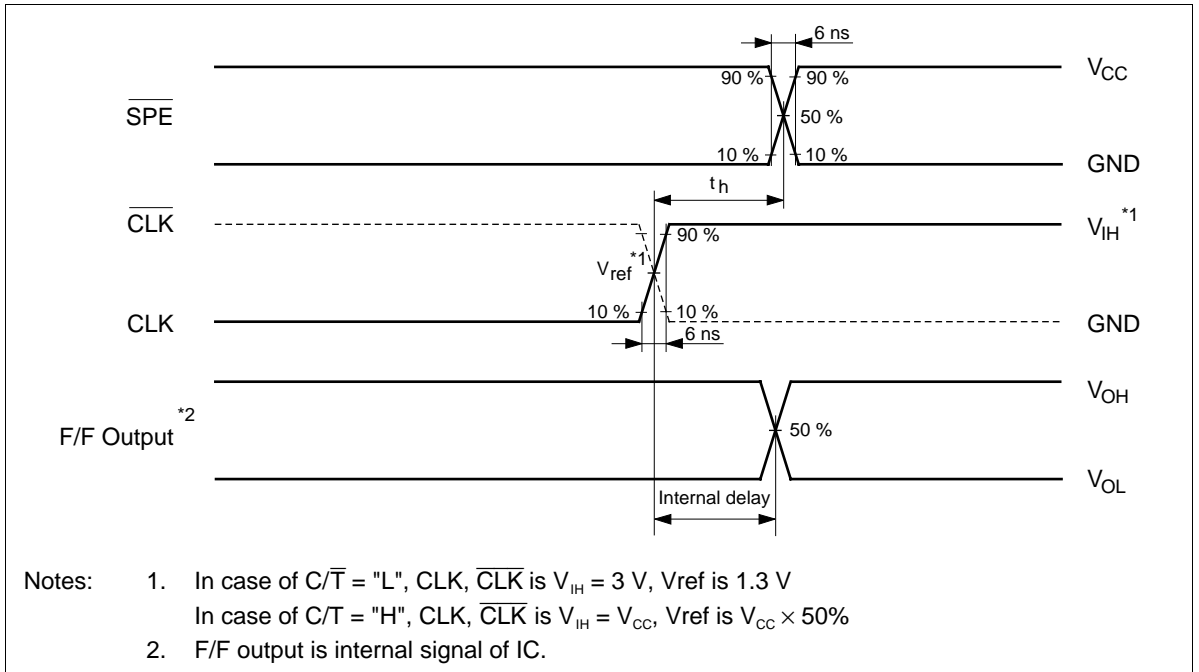
• Waveforms – 3



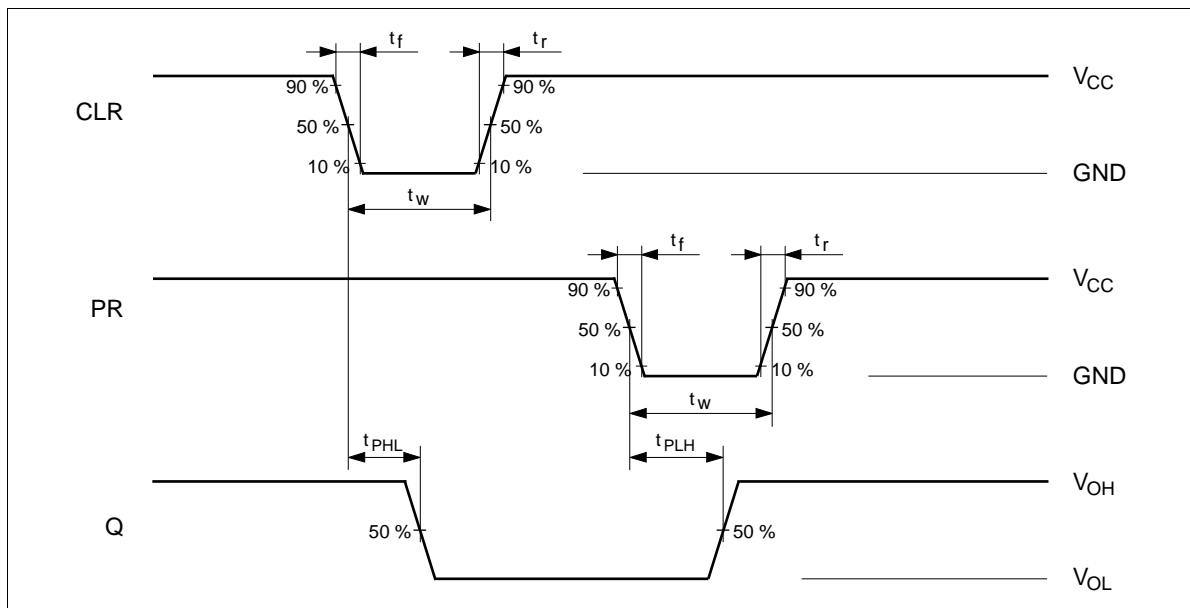
• Waveforms – 4



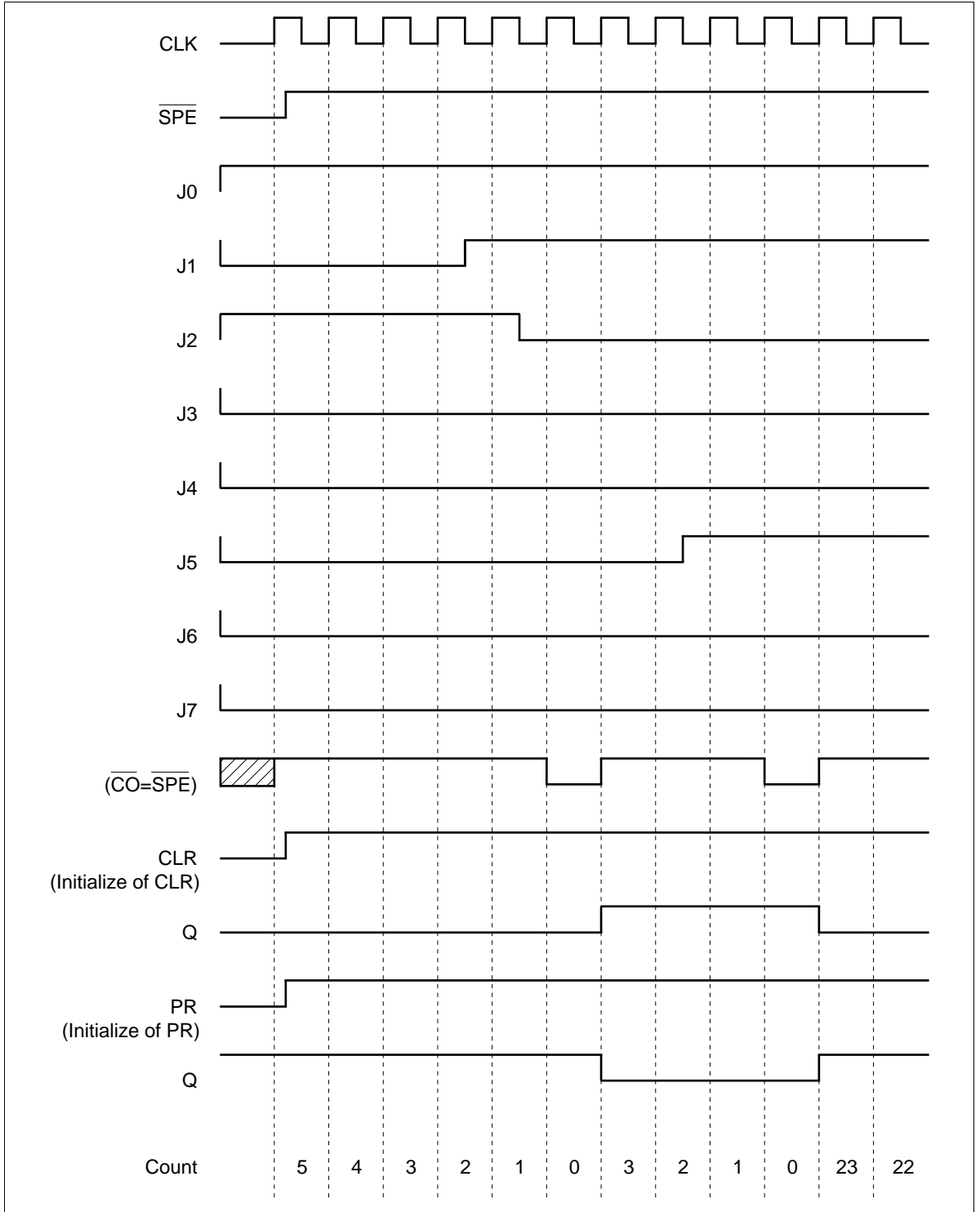
• Waveforms – 5



• Waveforms – 6



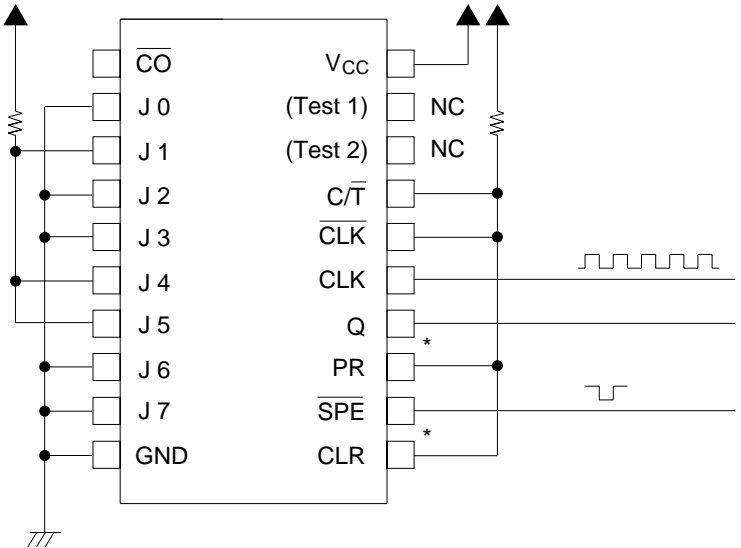
Timing Chart



Example of Application Circuit

• AC Signal Generator for STN Type Liquid Crystal Panel

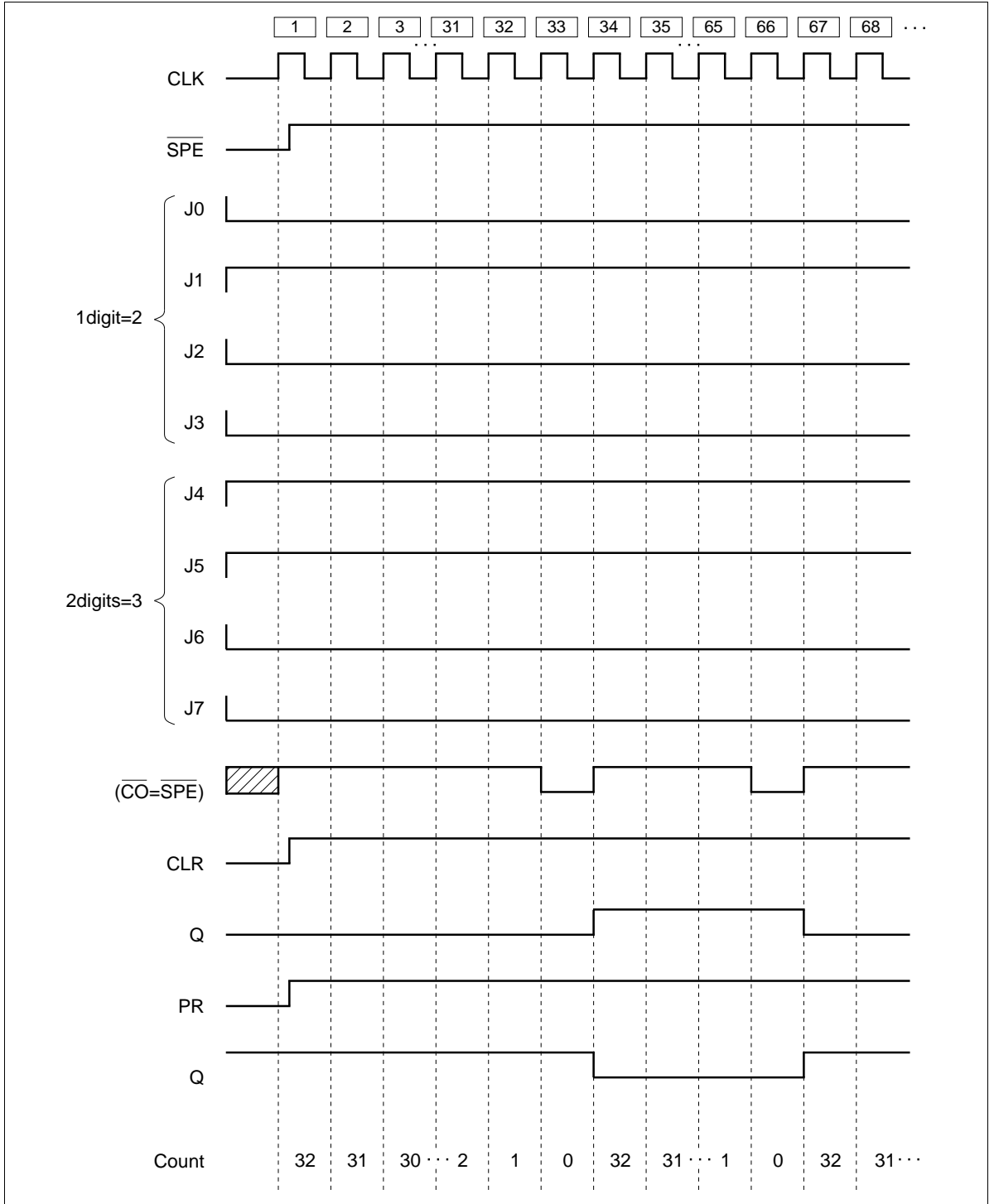
CLK ($\overline{\text{CLK}}$) : CMOS level input
 Initialize counter : 32



*When initializing output D-F/F apply "L"

Timing Chart

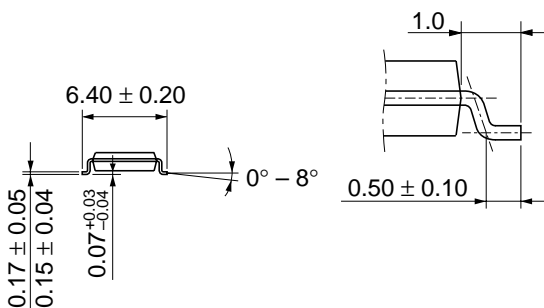
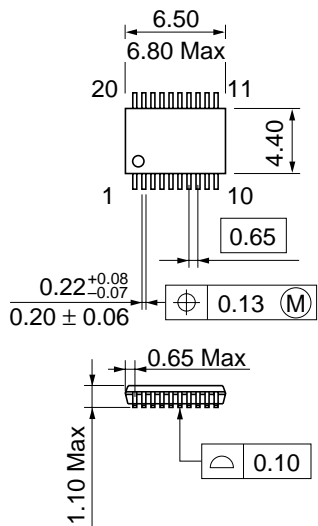
• Example of AC Signal Generator



Package Dimensions

Unit : mm

Unit: mm



Dimension including the plating thickness
Base material dimension

Hitachi Code	TTP-20DA
JEDEC	—
EIAJ	—
Weight (reference value)	0.07 g

Cautions

1. Hitachi neither warrants nor grants licenses of any rights of Hitachi's or any third party's patent, copyright, trademark, or other intellectual property rights for information contained in this document. Hitachi bears no responsibility for problems that may arise with third party's rights, including intellectual property rights, in connection with use of the information contained in this document.
2. Products and product specifications may be subject to change without notice. Confirm that you have received the latest product standards or specifications before final design, purchase or use.
3. Hitachi makes every attempt to ensure that its products are of high quality and reliability. However, contact Hitachi's sales office before using the product in an application that demands especially high quality and reliability or where its failure or malfunction may directly threaten human life or cause risk of bodily injury, such as aerospace, aeronautics, nuclear power, combustion control, transportation, traffic, safety equipment or medical equipment for life support.
4. Design your application so that the product is used within the ranges guaranteed by Hitachi particularly for maximum rating, operating supply voltage range, heat radiation characteristics, installation conditions and other characteristics. Hitachi bears no responsibility for failure or damage when used beyond the guaranteed ranges. Even within the guaranteed ranges, consider normally foreseeable failure rates or failure modes in semiconductor devices and employ systemic measures such as fail-safes, so that the equipment incorporating Hitachi product does not cause bodily injury, fire or other consequential damage due to operation of the Hitachi product.
5. This product is not designed to be radiation resistant.
6. No one is permitted to reproduce or duplicate, in any form, the whole or part of this document without written approval from Hitachi.
7. Contact Hitachi's sales office for any questions regarding this document or Hitachi semiconductor products.

HITACHI

Hitachi, Ltd.

Semiconductor & Integrated Circuits.
Nippon Bldg., 2-6-2, Ohte-machi, Chiyoda-ku, Tokyo 100-0004, Japan
Tel: Tokyo (03) 3270-2111 Fax: (03) 3270-5109

URL North America : <http://semiconductor.hitachi.com/>
 Europe : <http://www.hitachi-eu.com/hel/ecg>
 Asia (Singapore) : <http://www.has.hitachi.com.sg/grp3/sicd/index.htm>
 Asia (Taiwan) : http://www.hitachi.com.tw/E/Product/SICD_Frame.htm
 Asia (HongKong) : <http://www.hitachi.com.hk/eng/bo/grp3/index.htm>
 Japan : <http://www.hitachi.co.jp/Sicd/indx.htm>

For further information write to:

Hitachi Semiconductor
(America) Inc.
179 East Tasman Drive,
San Jose, CA 95134
Tel: <1> (408) 433-1990
Fax: <1>(408) 433-0223

Hitachi Europe GmbH
Electronic components Group
Dornacher Straße 3
D-85622 Feldkirchen, Munich
Germany
Tel: <49> (89) 9 9180-0
Fax: <49> (89) 9 29 30 00

Hitachi Europe Ltd.
Electronic Components Group.
Whitebrook Park
Lower Cookham Road
Maidenhead
Berkshire SL6 8YA, United Kingdom
Tel: <44> (1628) 585000
Fax: <44> (1628) 778322

Hitachi Asia Pte. Ltd.
16 Collyer Quay #20-00
Hitachi Tower
Singapore 049318
Tel: 535-2100
Fax: 535-1533

Hitachi Asia Ltd.
Taipei Branch Office
3F, Hung Kuo Building, No.167,
Tun-Hwa North Road, Taipei (105)
Tel: <886> (2) 2718-3666
Fax: <886> (2) 2718-8180

Hitachi Asia (Hong Kong) Ltd.
Group III (Electronic Components)
7/F., North Tower, World Finance Centre,
Harbour City, Canton Road, Tsim Sha Tsui,
Kowloon, Hong Kong
Tel: <852> (2) 735 9218
Fax: <852> (2) 730 0281
Telex: 40815 HITEC HX

Copyright ' Hitachi, Ltd., 1999. All rights reserved. Printed in Japan.

HITACHI