
HD151012

8-bit Binary Programmable Counter with Synchronous Preset Enable

HITACHI

ADE-205-132 (Z)
Preliminary
1st. Edition
Mar. 1996

Description

The HD151012 has 8-bit binary down counter and D-type Flip Flop. The counter can set up to max 256 counts and synchronous preset ($\overline{\text{SPE}}$) input can preset the data. When the count value is 0, the next clock pulse presets the data to invert the output. D-type Flip Flop takes the counter output as clock pulse, whose data is transferred to output at the rise edge. It is applied to generate AC signal for STN type liquid crystal and general-use divider.

Features

- High speed operation
tpd (CLK or $\overline{\text{CLK}}$ to Q) = 35 ns (typ)
- High output current
Fanout of 10 LS TTL Loads
- Wide operating voltage
 $V_{\text{CC}} = 2$ to 6 V
- Low supply current ($T_a = 25^\circ\text{C}$)
 I_{CC} (Static) = 4 μA (max)

Function Table

Control Inputs

CLR	PR	$\overline{\text{SPE}}$	Mode	Operation Description
H	H	H	Generally count	Down count at the rise edge of clock (CLK) Down count at the fall edge of clock (CLK)
X	X	L	Synchronous preset	Jn data is preset at the rise of clock (CLK), the fall of clock (CLK)
L	H	—	Initialize of Q output	Initialize of Q = "L"
H	L	—	Initialize of Q output	Initialize of Q = "H"

- Notes:
1. Synchronous preset ($\overline{\text{SPE}}$) input can set max 256 down counts.
 2. When the count value is 0, the next clock pulse presets the data to invert the output.
 3. CLR and PR inputs initialize output state.

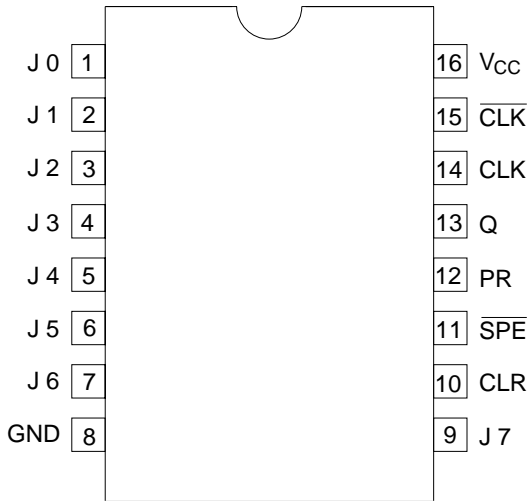
H : High level

L : Low level

X : Immaterial

— : Irrespective of condition

Pin Arrangement



(Top view)

Pin Description

Pin Name	Pin Description	
Input pins	J0 to J7	Count data input for option
	CLK, $\overline{\text{CLK}}$	Clock inputs CLK : Rise edge trigger $\overline{\text{CLK}}$: Fall edge trigger
	$\overline{\text{SPE}}$	Preset input for Jn data
	PR	Preset input for D-type Flip Flop (Initialize "L" at Q output)
	CLR	Clear input for D-type Flip Flop (Initialize "H" at Q output)
Output pins	Q	Output for D-type Flip Flop

Absolute Maximum Ratings

Item	Symbol	Ratings	Unit
Supply voltage	V_{CC}	-0.5 to 7.0	V
Input / output voltage	$V_{\text{IN}}/V_{\text{OUT}}$	-0.5 to $V_{\text{CC}} + 0.5$	V
VCC, GND current	$I_{\text{CC}}, I_{\text{GND}}$	± 50	mA
Output current / pin	I_{OUT}	± 25	mA
Power dissipation	P_{T}	500	mW
Storage temperature	Tstg	-65 to 150	°C
Input diode current	I_{IK}	± 20	mA
Output diode current	I_{OK}	± 20	mA

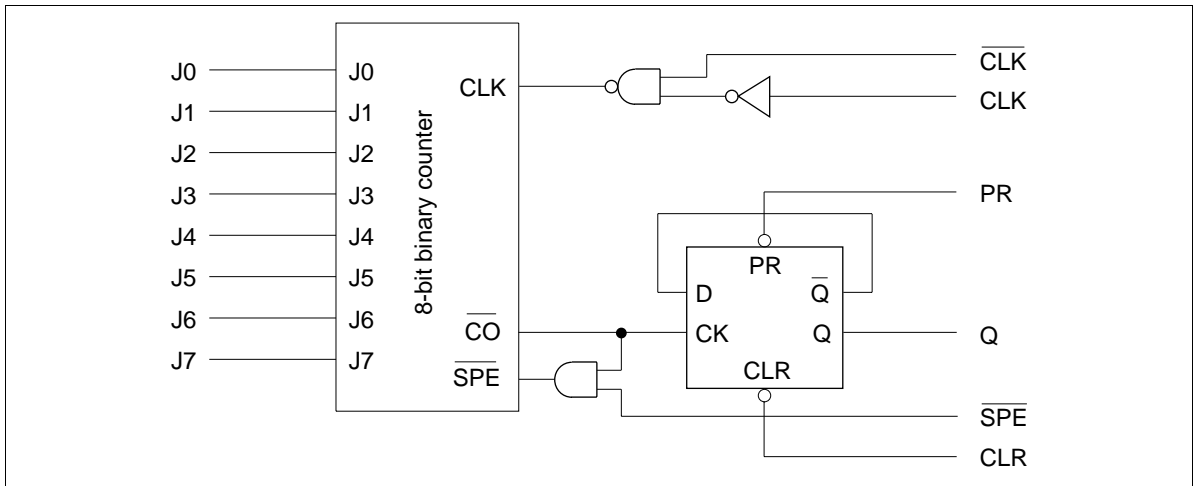
- Notes: 1. The absolute maximum ratings are values which must not individually be exceeded, and furthermore, no two of which may be realized at the same time.
2. All voltage values except for differential input voltage are with respect to network ground terminal.

Recommended Operating Conditions

Item	Symbol	Min	Typ	Max	Unit	
Supply voltage	V_{CC}	2	—	6	V	
Input/output voltage	$V_{IN/OUT}$	0	—	V_{CC}	V	
Operating temperature	T_{opr}	-40	—	+85	°C	
Input rise/fall time*1	$V_{CC} = 2.5\text{ V}$	t_r, t_f	0	—	1000	ns
	$V_{CC} = 4.5\text{ V}$		0	—	500	
	$V_{CC} = 5.5\text{ V}$		0	—	400	

Note: 1. This item guarantees maximum limit when one input switches.

Logic Diagram



Electrical Characteristics

Item	Symbol	V _{CC}	Ta = 25°C			Ta = -40 to 85°C		Unit	Test Conditions	
			Min	Typ	Max	Min	Max			
High level input voltage	V _{IH}	2.0	1.5	—	—	1.5	—	V	J0 to J7	
		4.5	3.15	—	—	3.15	—		$\overline{\text{SPE}}$	
		6.0	4.2	—	—	4.2	—		PR, CLR	
		2.0	1.5	—	—	1.5	—		$\overline{\text{CLK}}$, CLK	
		4.5	3.15	—	—	3.15	—			
		6.0	4.2	—	—	4.2	—			
Low level input voltage	V _{IL}	2.0	—	—	0.5	—	0.5	V	J0 to J7	
		4.5	—	—	1.35	—	1.35		$\overline{\text{SPE}}$	
		6.0	—	—	1.8	—	1.8		PR, CLR	
		2.0	—	—	0.5	—	0.5		$\overline{\text{CLK}}$, CLK	
		4.5	—	—	1.35	—	1.35			
		6.0	—	—	1.8	—	1.8			
High level output voltage	V _{OH}	2.0	1.9	2.0	—	1.9	—	V	V _{IN} =	I _{OH} = -20 mA
		4.5	4.4	4.5	—	4.4	—		V _{IH} or V _{IL}	
		6.0	5.9	6.0	—	5.9	—			
		4.5	4.18	4.31	—	4.13	—			I _{OH} = -4 mA
		6.0	5.68	5.80	—	5.63	—			I _{OH} = -5.2 mA
Low level output voltage	V _{OL}	2.0	—	0.0	0.1	—	0.1	V	V _{IN} =	I _{OL} = 20 mA
		4.5	—	0.0	0.1	—	0.1		V _{IH} or V _{IL}	
		6.0	—	0.0	0.1	—	0.1			
		4.5	—	0.17	0.26	—	0.33			I _{OL} = 4 mA
		6.0	—	0.18	0.26	—	0.33			I _{OL} = 5.2 mA
Input capacitance	I _{IN}	6.0	—	—	±0.1	—	±1.0	mA	V _{IN} = V _{CC} or GND	
Supply current	I _{CC}	6.0	—	—	4.0	—	40.0	mA	V _{IN} = V _{CC} or GND	

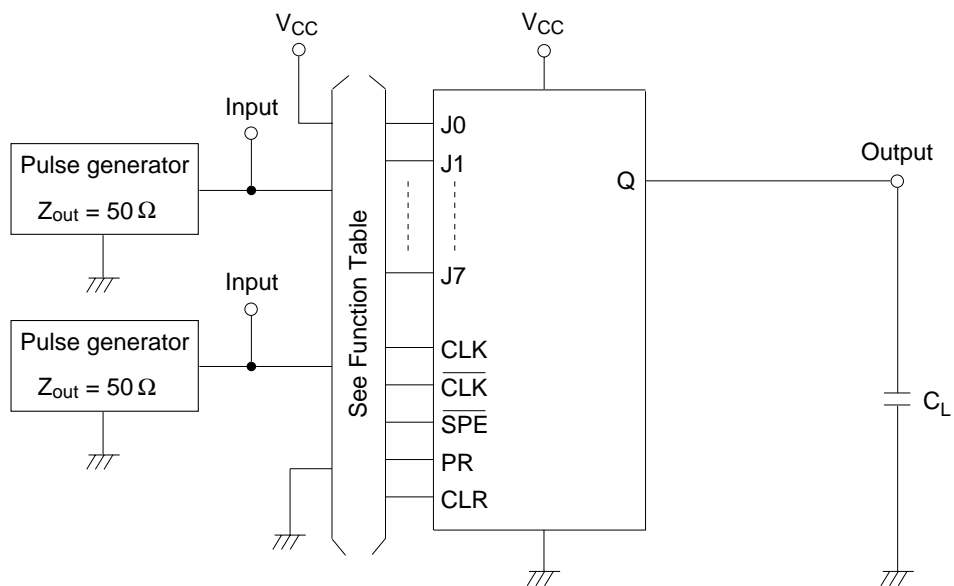
Switching Characteristics ($C_L = 50 \text{ pF}$, $t_r = t_f = 6 \text{ ns}$)

Item	Sym- bol	V_{CC}	$T_a = 25^\circ\text{C}$			$T_a = -40 \text{ to } 85^\circ\text{C}$		Unit	Test Conditions
			Min	Typ	Max	Min	Max		
Maximum clock frequency	f_{\max}	2.0	—	—	4	—	3	MHz	
		4.5	—	36	20	—	16		
		6.0	—	—	24	—	19		
Output rise/fall time	t_{TLH}	2.0	—	30	75	—	95	ns	
	t_{THL}	4.5	—	8	15	—	19		
		6.0	—	7	13	—	16		
Propagation delay time	t_{PLH}	2.0	—	—	300	—	380	CLK or $\overline{\text{CLK}}$ to Q	
	t_{PHL}	4.5	—	35	60	—	75		
		6.0	—	—	53	—	65		
	t_{PLH}	2.0	—	—	150	—	185	PR or CLR to Q	
	t_{PHL}	4.5	—	18	30	—	38		
		6.0	—	—	25	—	32		
Pulse width (CLK, $\overline{\text{CLK}}$, PR, CLR)	tw	2.0	80	—	—	100	—	ns	
		4.5	16	—	—	20	—		
		6.0	14	—	—	17	—		
Setup time (J_n - CLK, $\overline{\text{CLK}}$) ($\overline{\text{SPE}}$, CLK, $\overline{\text{CLK}}$)	ts	2.0	100	—	—	125	—	ns	
		4.5	20	—	—	25	—		
		6.0	17	—	—	21	—		
Hold time (J_n - CLK, $\overline{\text{CLK}}$) ($\overline{\text{SPE}}$, CLK, $\overline{\text{CLK}}$)	th	2.0	15	—	—	15	—	ns	
		4.5	10	—	—	10	—		
		6.0	5	—	—	5	—		
Input capacitance	C_{IN}	—	—	5	10	—	10	pF	
Power dissipation capacitance*1	C_{PD}	—	—	48	—	—	—	pF	

Note: 1. CPD is equivalent capacitance inside of the IC calculated from the operating current without load (see test circuit). The average operating current without load is calculated according to the expression below.

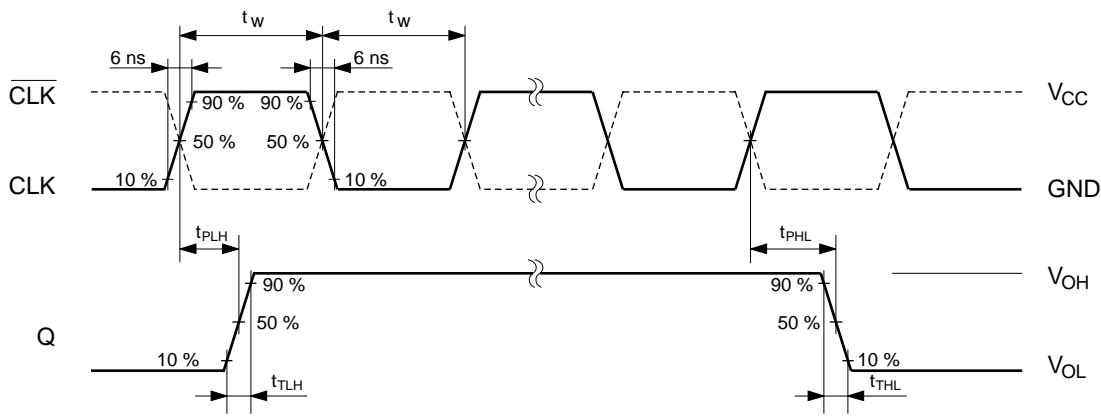
$$I_{CC}(\text{opr}) = C_{PD} \cdot V_{CC} \cdot f_{IN} + I_{CC}$$

Test Circuit

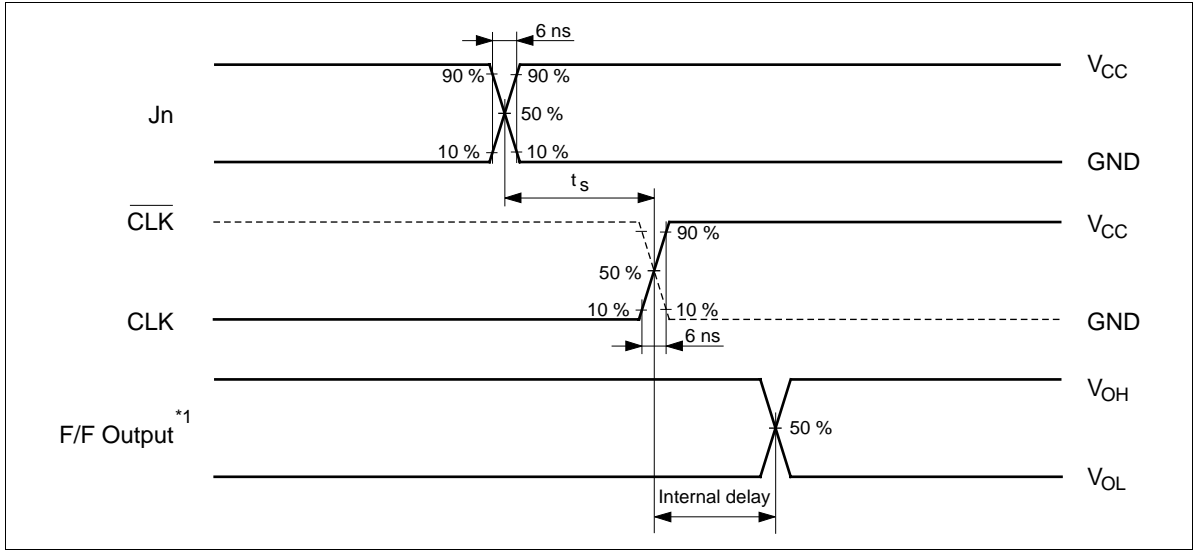


Note: 1. C_L includes probe and jig capacitance.

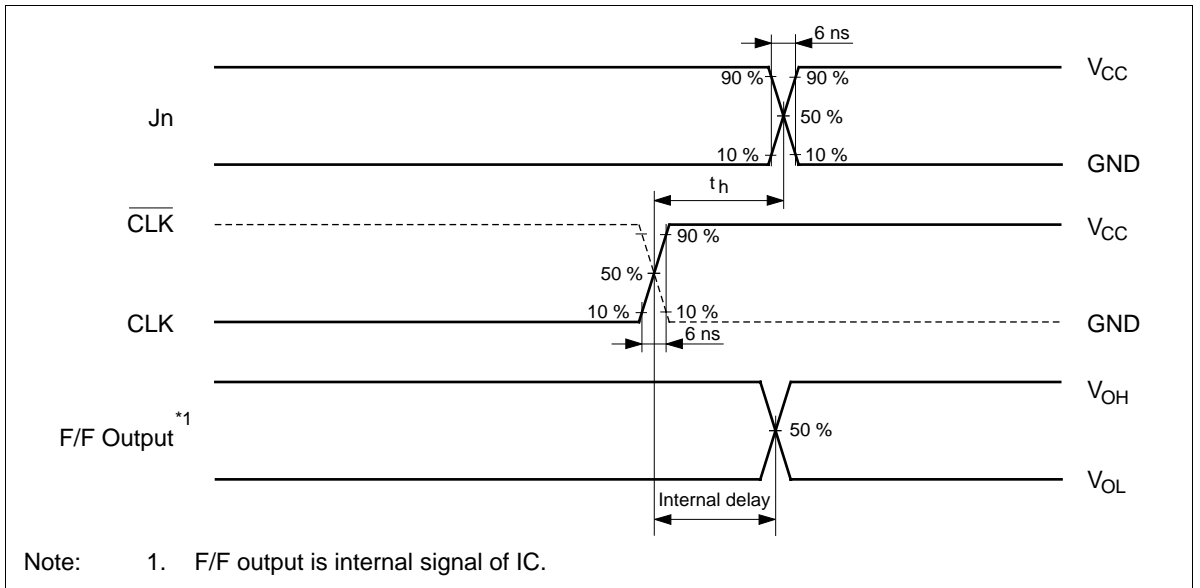
Waveforms - 1



Waveforms – 2

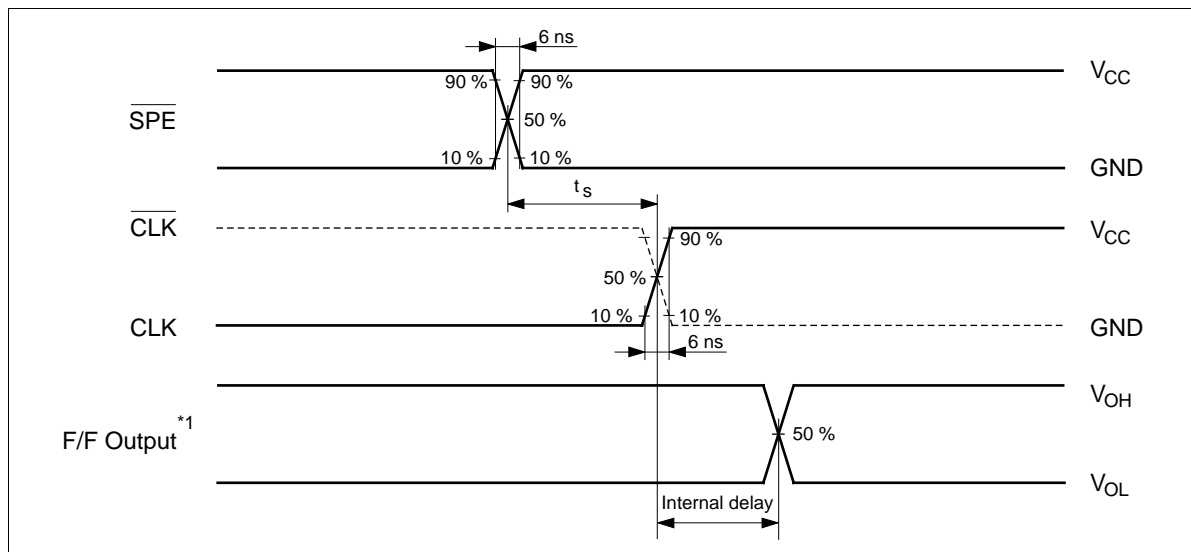


Waveforms – 3

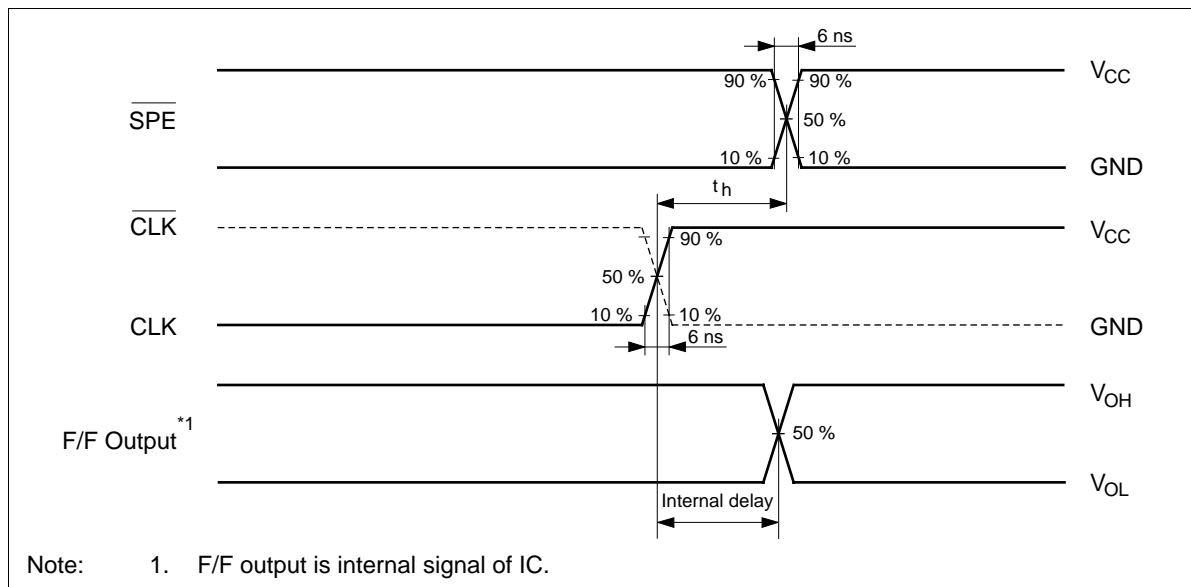


Note: 1. F/F output is internal signal of IC.

Waveforms – 4

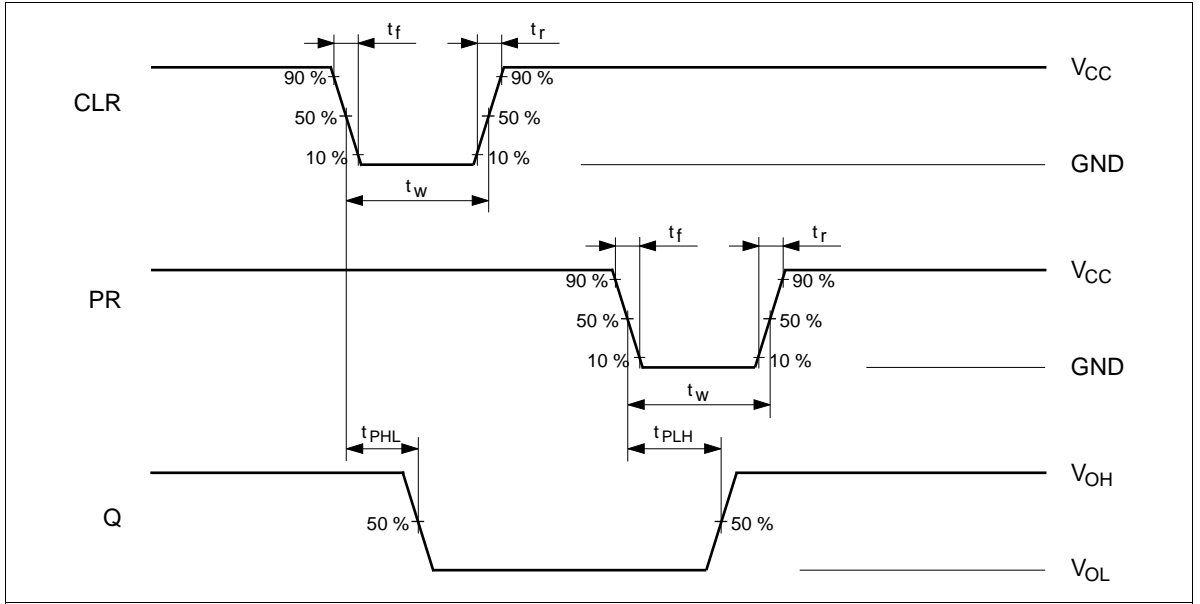


Waveforms – 5

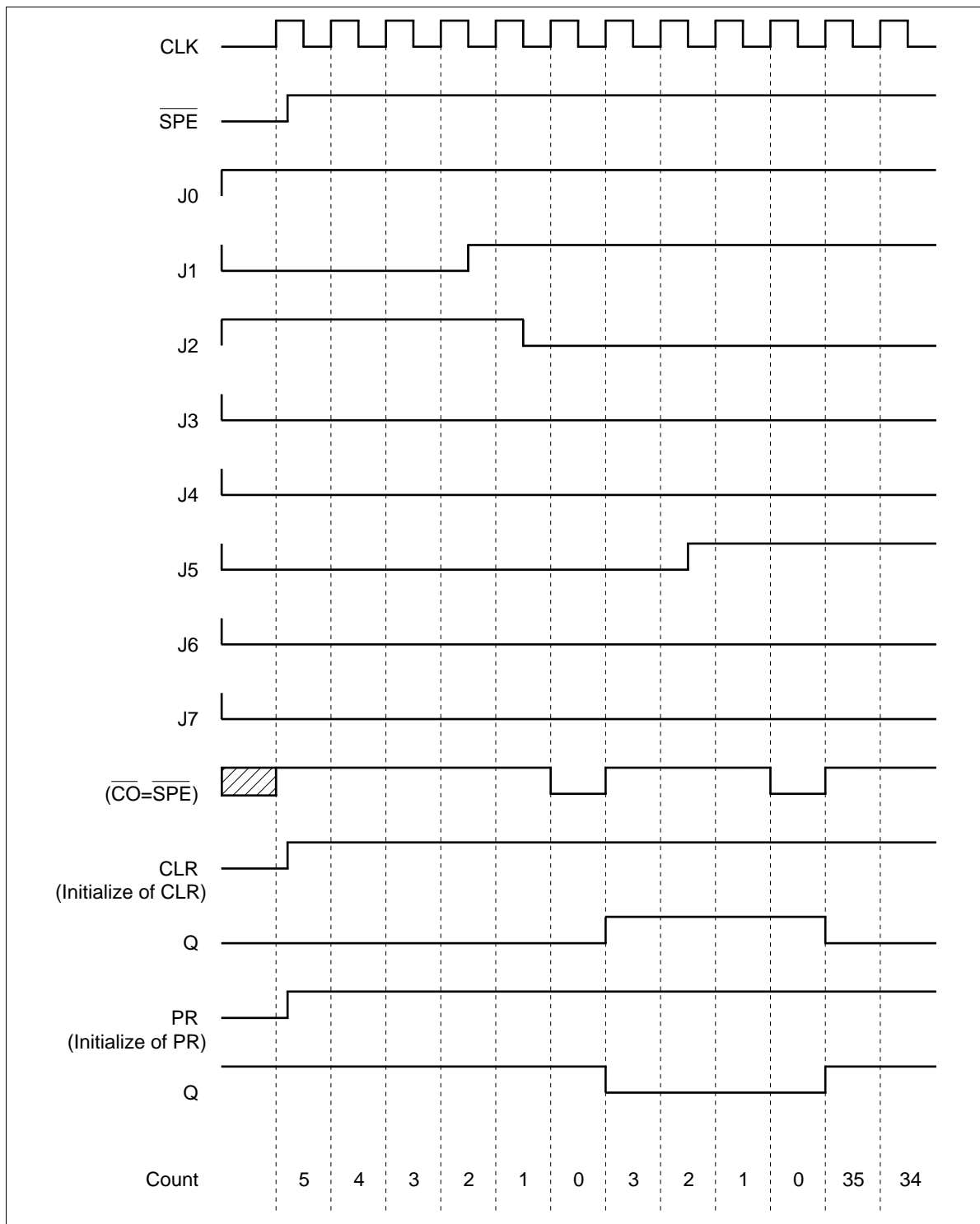


Note: 1. F/F output is internal signal of IC.

Waveforms – 6



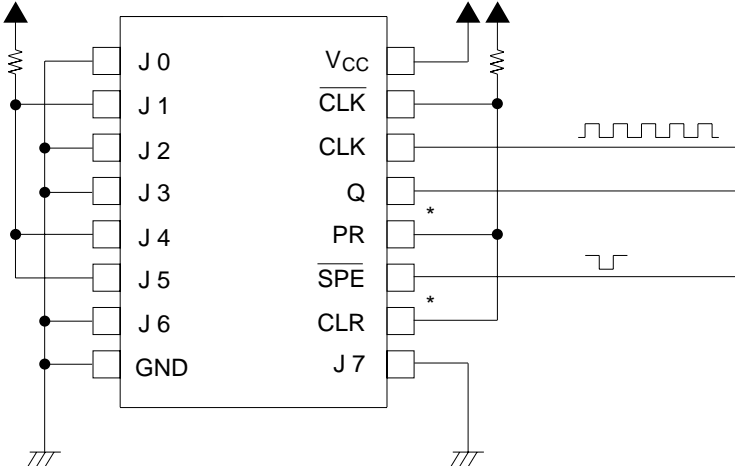
Timing Chart



Example of Application Circuit

AC Signal Generator for STN Type Liquid Crystal Panel

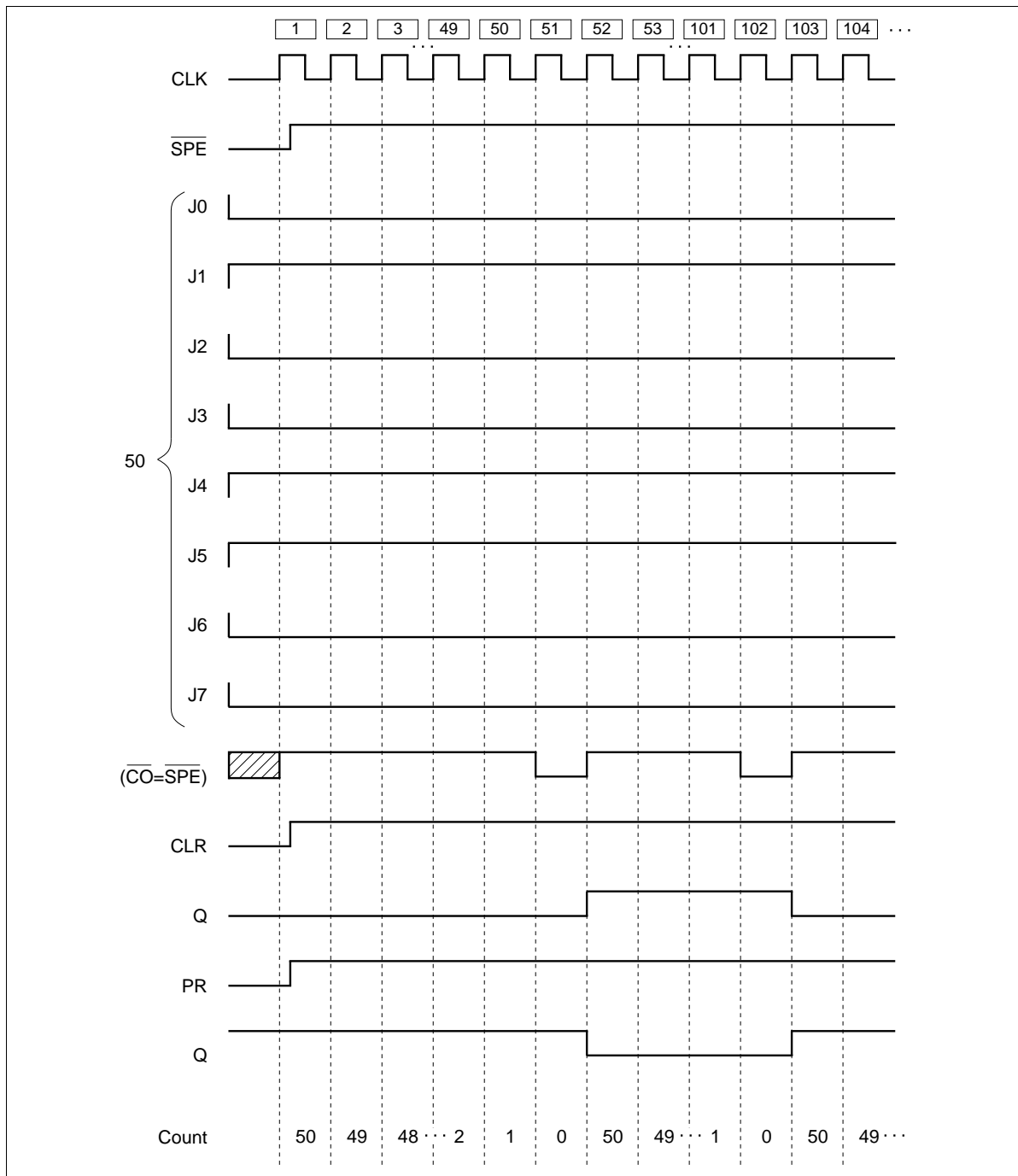
Initialize counter: 50



Note: When initializing output D-F/F apply "L"

Timing Chart

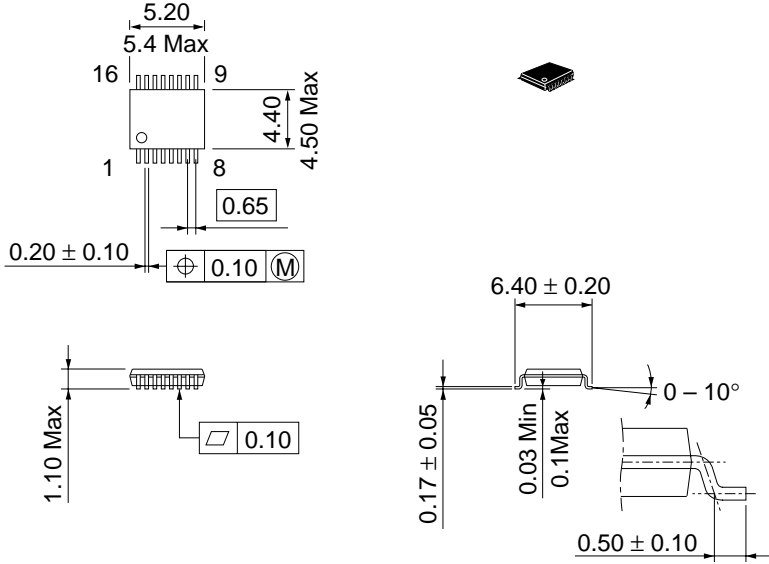
Example of AC Signal Generator



Package Dimensions

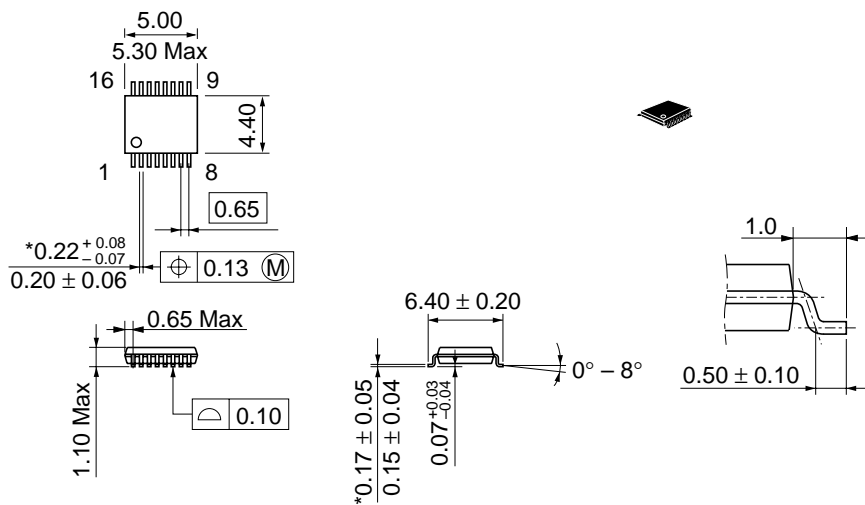
Unit : mm

TTP-16DA



Package Dimensions

Unit: mm



*Dimension including the plating thickness
Base material dimension

Hitachi Code	TTP-16DA
JEDEC	—
EIAJ	—
Mass (reference value)	0.05 g

Cautions

1. Hitachi neither warrants nor grants licenses of any rights of Hitachi's or any third party's patent, copyright, trademark, or other intellectual property rights for information contained in this document. Hitachi bears no responsibility for problems that may arise with third party's rights, including intellectual property rights, in connection with use of the information contained in this document.
2. Products and product specifications may be subject to change without notice. Confirm that you have received the latest product standards or specifications before final design, purchase or use.
3. Hitachi makes every attempt to ensure that its products are of high quality and reliability. However, contact Hitachi's sales office before using the product in an application that demands especially high quality and reliability or where its failure or malfunction may directly threaten human life or cause risk of bodily injury, such as aerospace, aeronautics, nuclear power, combustion control, transportation, traffic, safety equipment or medical equipment for life support.
4. Design your application so that the product is used within the ranges guaranteed by Hitachi particularly for maximum rating, operating supply voltage range, heat radiation characteristics, installation conditions and other characteristics. Hitachi bears no responsibility for failure or damage when used beyond the guaranteed ranges. Even within the guaranteed ranges, consider normally foreseeable failure rates or failure modes in semiconductor devices and employ systemic measures such as fail-safes, so that the equipment incorporating Hitachi product does not cause bodily injury, fire or other consequential damage due to operation of the Hitachi product.
5. This product is not designed to be radiation resistant.
6. No one is permitted to reproduce or duplicate, in any form, the whole or part of this document without written approval from Hitachi.
7. Contact Hitachi's sales office for any questions regarding this document or Hitachi semiconductor products.

HITACHI

Hitachi, Ltd.

Semiconductor & Integrated Circuits.
Nippon Bldg., 2-6-2, Ohte-machi, Chiyoda-ku, Tokyo 100-0004, Japan
Tel: Tokyo (03) 3270-2111 Fax: (03) 3270-5109

URL NorthAmerica : <http://semiconductor.hitachi.com/>
 Europe : <http://www.hitachi-eu.com/hel/ecg>
 Asia : <http://sicapac.hitachi-asia.com>
 Japan : <http://www.hitachi.co.jp/Sicd/indx.htm>

For further information write to:

Hitachi Semiconductor
(America) Inc.
179 East Tasman Drive,
San Jose, CA 95134
Tel: <1> (408) 433-1990
Fax: <1> (408) 433-0223

Hitachi Europe GmbH
Electronic Components Group
Dornacher Straße 3
D-85622 Feldkirchen, Munich
Germany
Tel: <49> (89) 9 9180-0
Fax: <49> (89) 9 29 30 00

Hitachi Europe Ltd.
Electronic Components Group.
Whitebrook Park
Lower Cookham Road
Maidenhead
Berkshire SL6 8YA, United Kingdom
Tel: <44> (1628) 585000
Fax: <44> (1628) 585160

Hitachi Asia Ltd.
Hitachi Tower
16 Collyer Quay #20-00,
Singapore 049318
Tel: <65>-538-6533/538-8577
Fax : <65>-538-6933/538-3877
URL : <http://www.hitachi.com.sg>

Hitachi Asia Ltd.
(Taipei Branch Office)
4/F, No. 167, Tun Hwa North Road,
Hung-Kuo Building,
Taipei (105), Taiwan
Tel : <886>-(2)-2718-3666
Fax : <886>-(2)-2718-8180
Telex : 23222 HAS-TP
URL : <http://www.hitachi.com.tw>

Hitachi Asia (Hong Kong) Ltd.
Group III (Electronic Components)
7/F., North Tower,
World Finance Centre,
Harbour City, Canton Road
Tsim Sha Tsui, Kowloon,
Hong Kong
Tel : <852>-(2)-735-9218
Fax : <852>-(2)-730-0281
URL : <http://www.hitachi.com.hk>

Copyright © Hitachi, Ltd., 2000. All rights reserved. Printed in Japan.
Colophon 2.0

HITACHI