

# HD404629 Series

---

## Description

The HD404629 Series is part of the HMCS400-Series microcomputers designed to increase program productivity and also incorporate large-capacity memory. Each microcomputer has a high precision dual-tone multifrequency (DTMF) generator, LCD controller/driver, A/D converter, input capture circuit, 32-kHz oscillator for clock, and four low-power dissipation modes.

The HD404629 Series includes four chips: the HD404628 with 8-kword ROM; the HD4046212 with 12-kword ROM; the HD404629 with 16-kword ROM; the HD4074629 with 16-kword PROM.

A program can be written to the PROM by a PROM writer, which can dramatically shorten system development periods and smooth the process from debugging to mass production.

---

## Features

- 16,384-word  $\times$  10-bit ROM (the ZTAT™ version is 27256-compatible)
- 1,876-digit  $\times$  4-bit RAM
- 44 I/O pins, including 10 high-current pins (15 mA, max.) and 20 pins multiplexed with LCD segment pins
- Four timer/counters
- 8-bit input capture circuit
- Three timer outputs (including two PWM outputs)
- Two event counter inputs (including one double-edge function)
- Clock-synchronous 8-bit serial interface
- A/D converter (4 channels  $\times$  8 bits)
- LCD controller/driver (52 segments  $\times$  4 commons)
- On-chip DTMF generator
- Built-in oscillators
  - Main clock: 4-MHz ceramic (an external clock is also possible)
  - Subclock: 32.768-kHz crystal
- Eleven interrupt sources
  - Five by external sources, including three double-edge functions
  - Six by internal sources
- Subroutine stack up to 16 levels, including interrupts
- Four low-power dissipation modes
  - Subactive mode
  - Standby mode
  - Watch mode
  - Stop mode
- One external input for transition from stop mode to active mode
- Instruction cycle time (min.): 1  $\mu$ s ( $f_{OSC} = 4$  MHz)
- Operation voltage
  - $V_{CC} = 2.7$  V to 6.0 V (HD404629)
  - $V_{CC} = 2.7$  V to 5.5 V (HD4074629)
- Two operating modes
  - MCU mode
  - MCU/PROM mode (HD4074629 only)

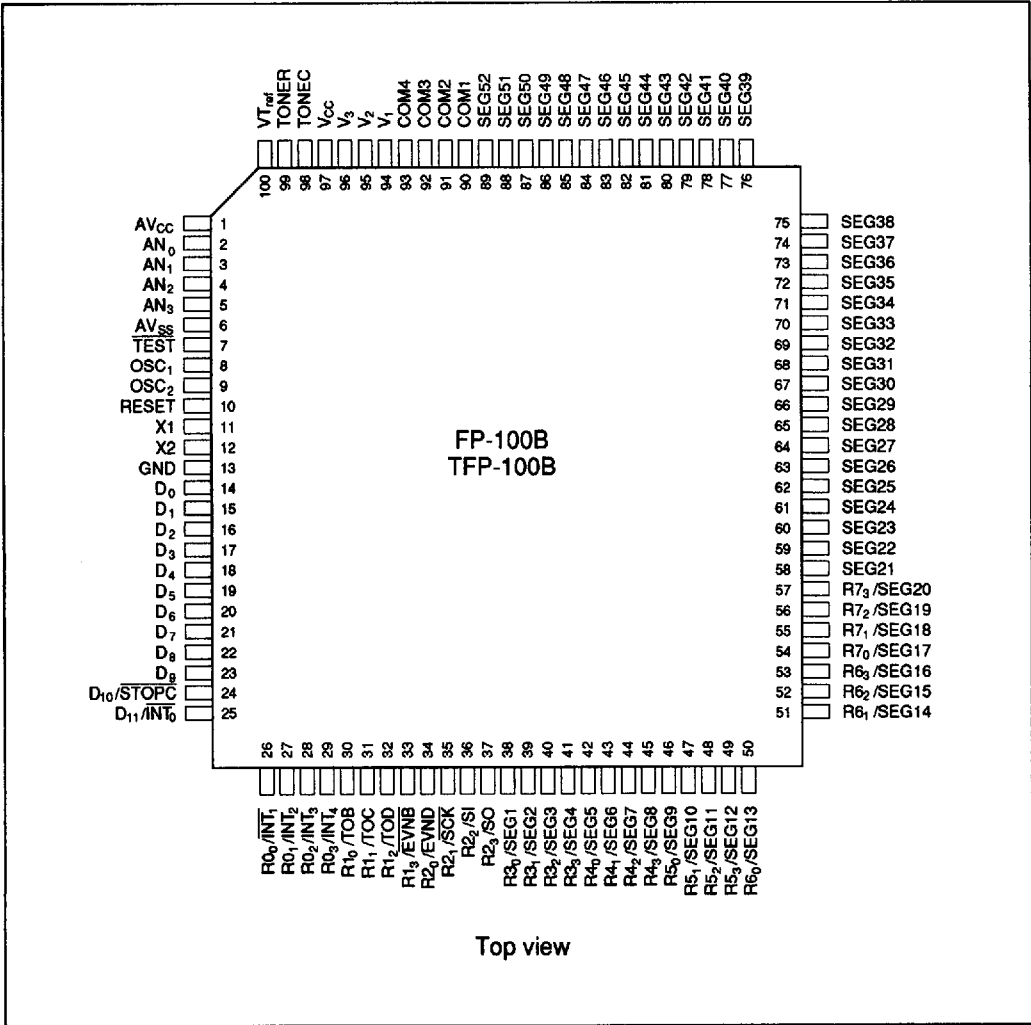
**Ordering Information**

Type	Product Name	Model Name	ROM (Words)	Package
Mask ROM	HD404628	HD404628H	8,192	100-pin plastic QFP (FP-100B)
		HD404628FS		100-pin plastic QFP (FP-100A)
		HD404628TF		100-pin plastic TQFP (TFP-100B)
	HD4046212	HD4046212H	12,288	100-pin plastic QFP (FP-100B)
		HD4046212FS		100-pin plastic QFP (FP-100A)
		HD4046212TF		100-pin plastic TQFP (TFP-100B)
	HD404629	HD404629H	16,384	100-pin plastic QFP (FP-100B)
		HD404629FS		100-pin plastic QFP (FP-100A)
		HD404629TF		100-pin plastic TQFP (TFP-100B)
ZTAT™	HD4074629	HD4074629H	16,384	100-pin plastic QFP (FP-100B)
		HD4074629FS		100-pin plastic QFP (FP-100A)
		HD4074629TF		100-pin plastic TQFP (TFP-100B)

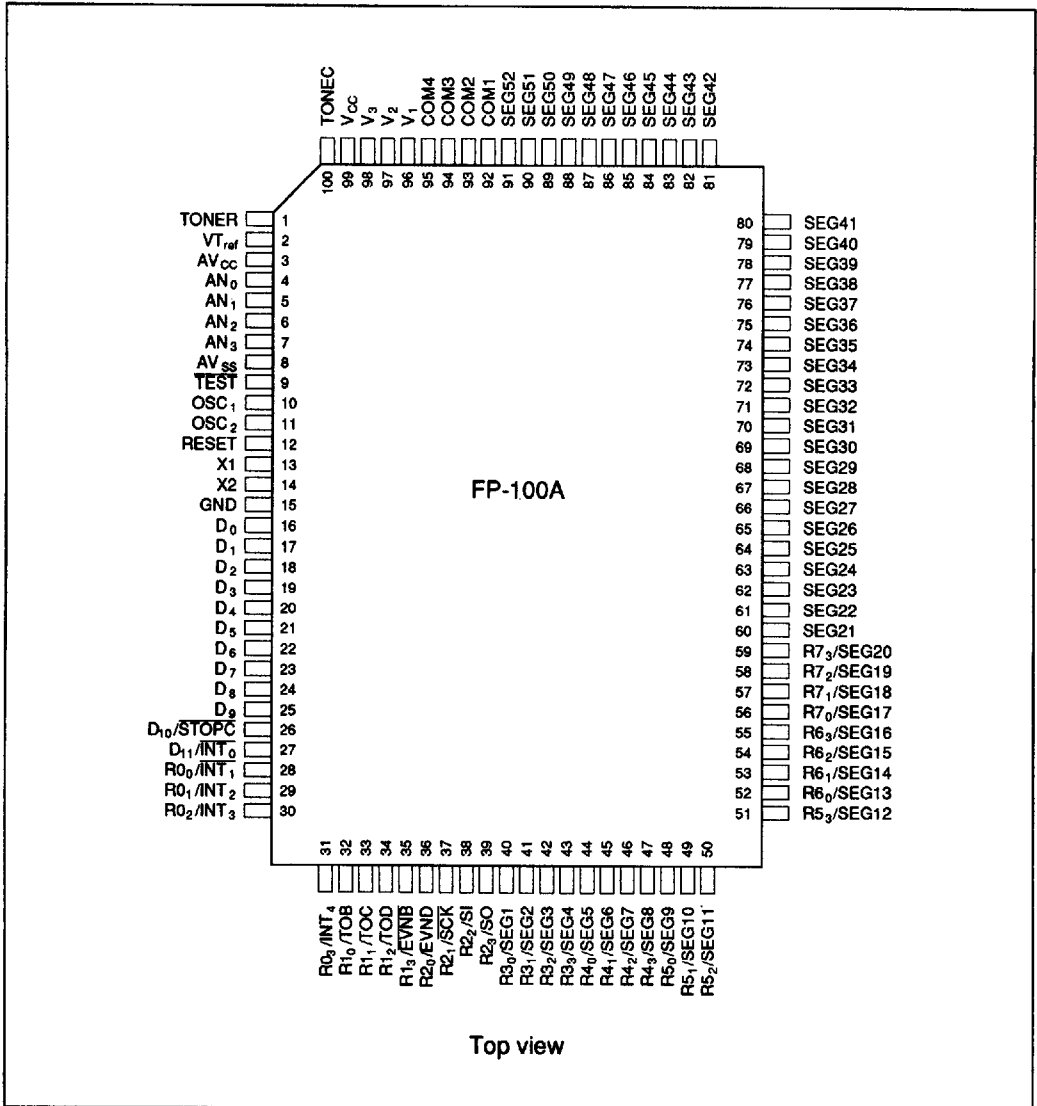
---

# HD404629 Series

## Pin Arrangement



Pin Arrangement



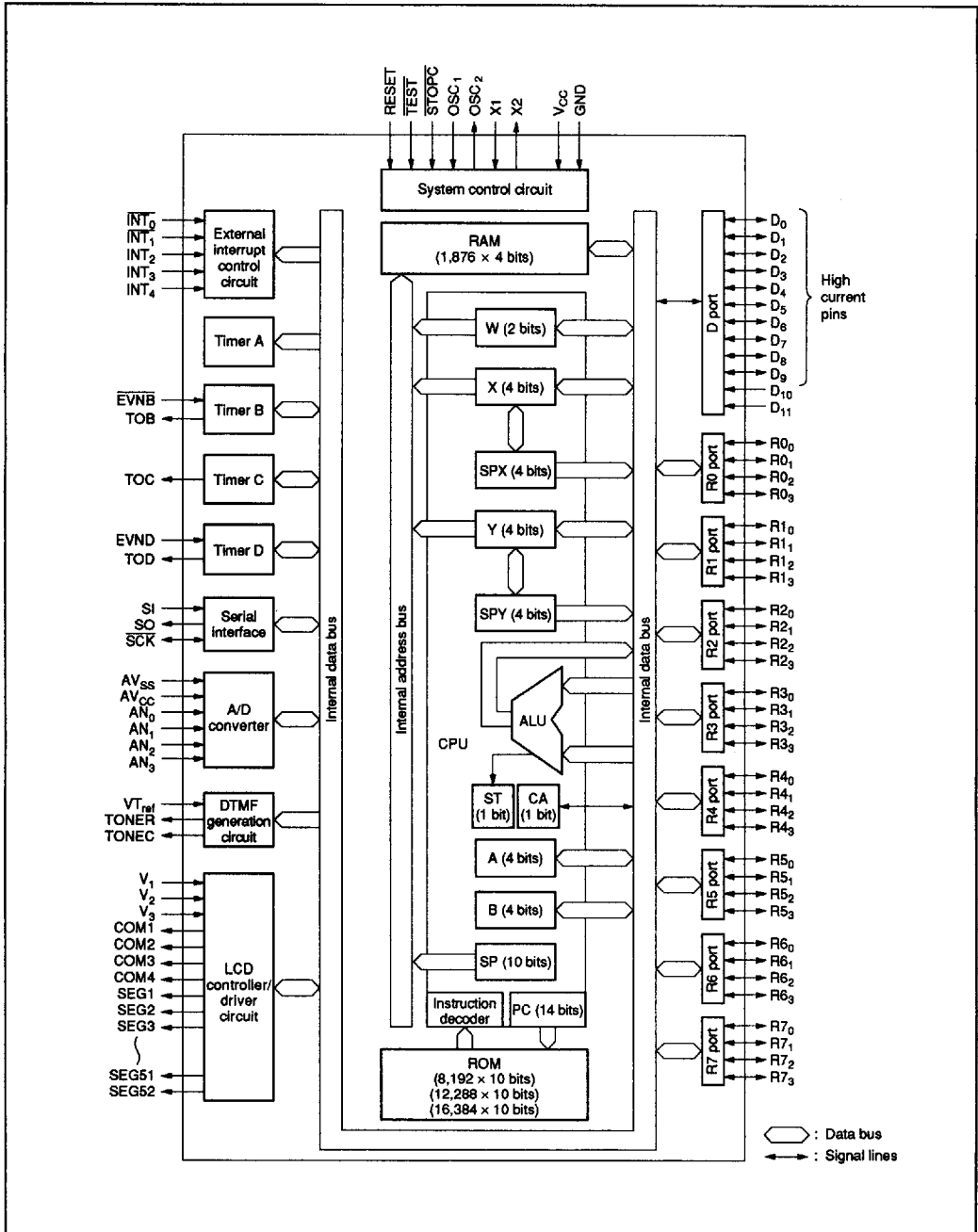
Top view

# HD404629 Series

## Pin Description

Item	Symbol	Pin Number		I/O	Function
		FP-100B TFP-100B	FP-100A		
Power supply	V <sub>CC</sub>	97	99		Applies power voltage
	GND	13	15		Connected to ground
Test	TEST	7	9	I	Used for factory testing only: Connect this pin to V <sub>CC</sub>
Reset	RESET	10	12	I	Resets the MCU
Oscillator	OSC <sub>1</sub>	8	10	I	Input/output pins for the internal oscillator circuit: Connect them to a ceramic oscillator or connect OSC <sub>1</sub> to an external oscillator circuit
	OSC <sub>2</sub>	9	11	O	
	X1	11	13	I	Used for a 32.768-kHz crystal for clock purposes. If not to be used, fix the X1 pin to V <sub>CC</sub> and leave the X2 pin open.
	X2	12	14	O	
Port	D <sub>0</sub> –D <sub>9</sub>	14–23	16–25	I/O	Input/output pins addressed by individual bits; pins D <sub>0</sub> –D <sub>9</sub> are high-current pins that can each supply up to 15 mA
	D <sub>10</sub> , D <sub>11</sub>	24, 25	26, 27	I	Input pins addressable by individual bits
	R <sub>0</sub> –R <sub>7</sub>	26–57	28–59	I/O	Input/output pins addressable in 4-bit units
Interrupt	INT <sub>0</sub> , INT <sub>1</sub> , INT <sub>2</sub> –INT <sub>4</sub>	25–29	27–31	I	Input pins for external interrupts
Stop clear	STOFC	24	26	I	Input pin for transition from stop mode to active mode
Serial interface	SCR	35	37	I/O	Serial interface clock input/output pin
	SI	36	38	I	Serial interface receive data input pin
	SO	37	39	O	Serial interface transmit data output pin
Timer	TOB, TOC, TOD	30–32	32–34	O	Timer output pins
	EVNB, EVND	33, 34	35, 36	I	Event count input pins
LCD	V <sub>1</sub> , V <sub>2</sub> , V <sub>3</sub>	94–96	96–98		Power pins for LCD controller/driver; may be left open during operation since they are connected by internal voltage division resistors. Voltage conditions are: V <sub>CC</sub> ≥ V <sub>1</sub> ≥ V <sub>2</sub> ≥ V <sub>3</sub> ≥ GND
	COM1–COM4	90–93	92–95	O	Common signal pins for LCD
	SEG1–SEG52	38–89	40–91	O	Segment signal pins for LCD
A/D converter	AV <sub>CC</sub>	1	3		Power pin for A/D converter: Connect it to the same potential as V <sub>CC</sub> , as physically close to the V <sub>CC</sub> pin as possible
	AV <sub>SS</sub>	6	8		Ground for AV <sub>CC</sub> : Connect it to the same potential as GND, as physically close to the GND pin as possible
	AN <sub>0</sub> –AN <sub>3</sub>	2–5	4–7	I	Analog input pins for A/D converter
DTMF	TONER	99	1	O	Output pin for DTMF row signals
	TONEC	98	100	O	Output pin for DTMF column signals
	VT <sub>ref</sub>	100	2		Reference voltage pin for DTMF signals. Voltage conditions are: V <sub>CC</sub> ≥ VT <sub>ref</sub> ≥ GND

Block Diagram



# HD404629 Series

## Memory Map

### ROM Memory Map

The ROM memory map is shown in figure 1 and described below.

**Vector Address Area (\$0000-\$000F):** Reserved for JMWL instructions that branch to the start addresses of the reset and interrupt routines. After MCU reset or an interrupt, program execution continues from the vector address.

**Zero-Page Subroutine Area (\$0000-\$003F):** Reserved for subroutines. The program branches to a subroutine in this area in response to the CAL instruction.

**Pattern Area (\$0000-\$0FFF):** Contains ROM data that can be referenced with the P instruction.

**Program Area (\$0000-\$1FFF: HD404628; \$0000-\$2FFF: HD4046212; \$0000-\$3FFF: HD404629, HD4074629):** Used for program coding.

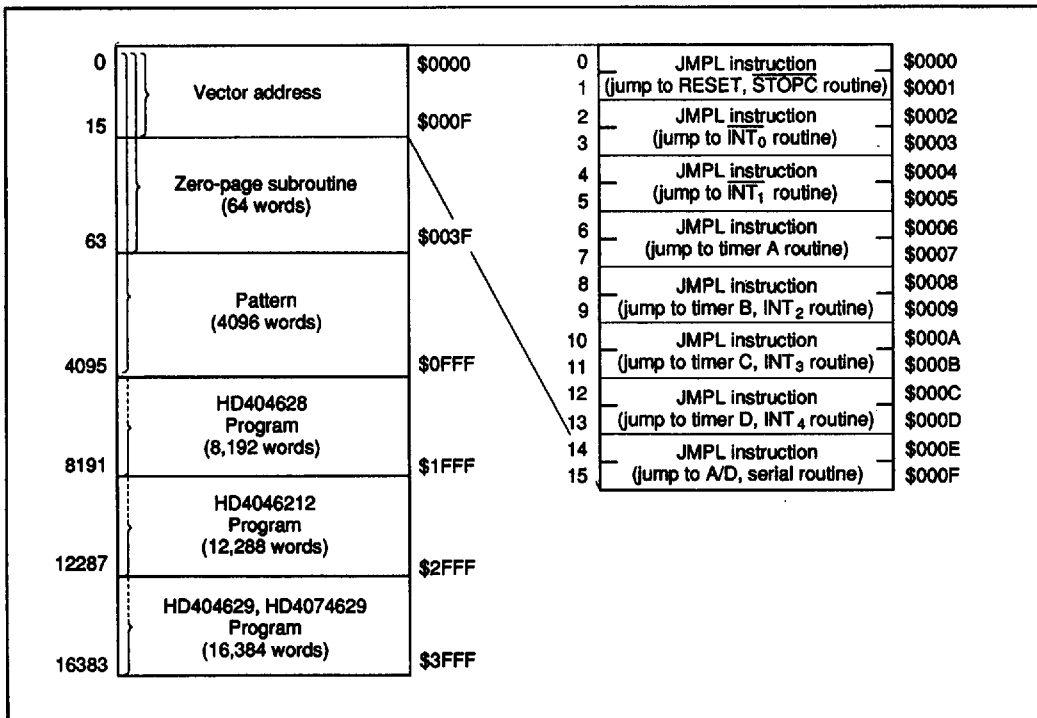


Figure 1 ROM Memory Map

**RAM Memory Map**

The MCU contains a 1,876-digit × 4-bit RAM area consisting of a memory register area, an LCD data area, a data area, and a stack area. In addition, an interrupt control bits area, special register area, and register flag area are mapped onto the same RAM memory space as a RAM-mapped register area outside the above areas. The RAM memory map is shown in figure 2 and described below.

**RAM-Mapped Register Area (\$000–\$03F):**

- **Interrupt Control Bits Area (\$000–\$003)**  
This area is used for interrupt control bits (figure 3). These bits can be accessed only by RAM bit manipulation instructions (SEM/SEMD, REM/REMD, and TM/TMD). However, note that not all the instructions can be used for each bit. Limitations on using the instructions are shown in figure 4.
- **Special Function Register Area (\$004–\$01F, \$024–\$03F)**  
This area is used as mode registers and data registers for external interrupts, serial interface, timer/counters, LCD, A/D converter, and as data control registers for I/O ports. The structure is shown in figures 2 and 5. These registers can be classified into three types: write-only (W), read-only (R), and read/write (R/W). The SEM, SEMD, REM, and REMD instructions can be used for the LCD control register (LCR: \$01B), but RAM bit manipulation instructions cannot be used for other registers.
- **Register Flag Area (\$020–\$023)**  
This area is used for the DTON, WDON, and other register flags and interrupt control bits (fig-

ure 3). These bits can be accessed only by RAM bit manipulation instructions (SEM/SEMD, REM/REMD, and TM/TMD). However, note that not all the instructions can be used for each bit. Limitations on using the instructions are shown in figure 4.

**Memory Register (MR) Area (\$040–\$04F):** Consisting of 16 addresses, this area (MR0–MR15) can be accessed by register-register instructions (LAMR and XMRA). The structure is shown in figure 6.

**LCD Data Area (\$050–\$083):** Used for storing 52-digit LCD data which is automatically output to LCD segments as display data. Data 1 lights the corresponding LCD segment; data 0 extinguishes it. Refer to the LCD description for details.

**Data Area (\$090–\$3BF):** 464 digits from \$090 to \$25F have three banks, which can be selected by setting the bank register (V: \$03F). Before accessing this area, set the bank register to the required value (figure 7). The area from \$260 to \$3BF is accessed without setting the bank register.

**Stack Area (\$3C0–\$3FF):** Used for saving the contents of the program counter (PC), status flag (ST), and carry flag (CA) at subroutine call (CAL or CALL instruction) and for interrupts. This area can be used as a 16-level nesting subroutine stack in which one level requires four digits. The data to be saved and the save conditions are shown in figure 6.

The program counter is restored by either the RTN or RTNI instruction, but the status and carry flags can only be restored by the RTNI instruction. Any unused space in this area is used for data storage.



# HD404629 Series

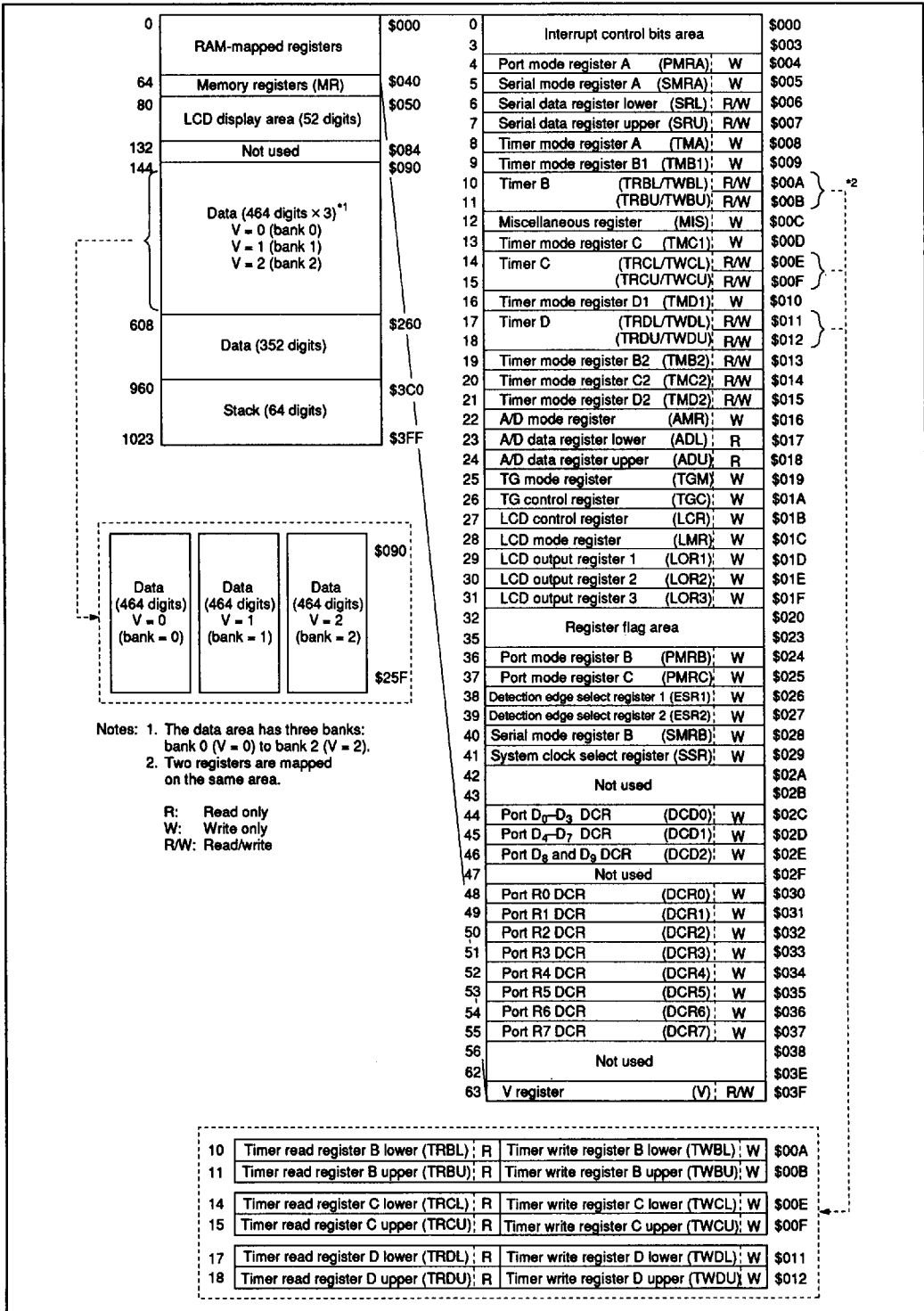


Figure 2 RAM Memory Map

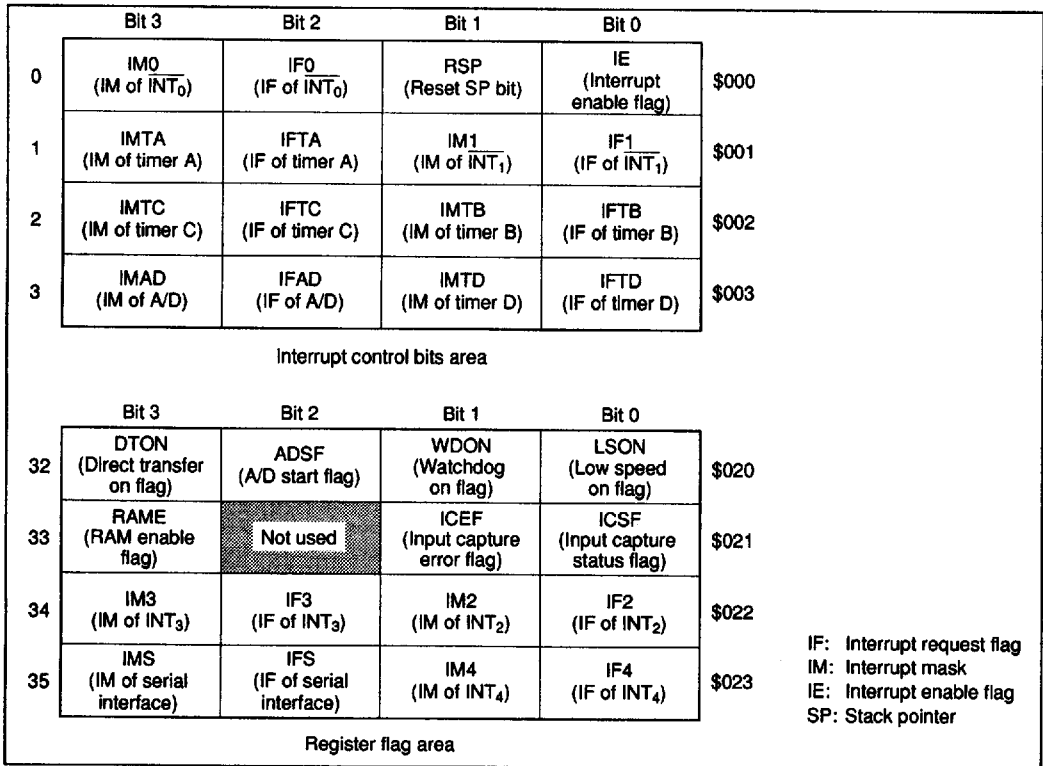


Figure 3 Configuration of Interrupt Control Bits and Register Flag Areas

	SEM/SEMD	REM/REMD	TM/TMD
IE	Allowed	Allowed	Allowed
IM			
LSON			
IF	Not executed	Allowed	Allowed
ICSF			
ICEF			
RAME			
RSP	Not executed	Allowed	Inhibited
WDON	Allowed	Not executed	Inhibited
ADSF	Allowed	Inhibited	Allowed
DTON	Not executed in active mode	Allowed	Allowed
	Used in subactive mode		
Not used	Not executed	Not executed	Inhibited

Note: WDON is reset by MCU reset or by  $\overline{\text{STOPC}}$  enable for stop mode cancellation.  
 The REM or REMD instruction must not be executed for ADSF during A/D conversion.  
 DTON is always reset in active mode.  
 If the TM or TMD instruction is executed for the inhibited bits or non-existing bits, the value in ST becomes invalid.

Figure 4 Usage Limitations of RAM Bit Manipulation Instructions

# HD404629 Series

	Bit 3	Bit 2	Bit 1	Bit 0
\$000	Interrupt control bits area			
\$003				
PMRA \$004	Not used	Not used	R2 <sub>2</sub> /SI	R2 <sub>2</sub> /SO
SMRA \$005	R2 <sub>2</sub> /SCK	Serial transmit clock speed selection 1		
SRL \$006	Serial data register (lower digit)			
SRU \$007	Serial data register (upper digit)			
TMA \$008	*1	Clock source selection (timer A)		
TMB1 \$009	*2	Clock source selection (timer B)		
TRBL/TWBL \$00A	Timer B register (lower digit)			
TRBU/TWBU \$00B	Timer B register (upper digit)			
MIS \$00C	*3	R2 <sub>2</sub> /SO	PMOS control	Interrupt frame period selection
TMCI \$00D	*2	Clock source selection (timer C)		
TRCL/TWCL \$00E	Timer C register (lower digit)			
TRCU/TWCU \$00F	Timer C register (upper digit)			
TMD1 \$010	*2	Clock source selection (timer D)		
TRDL/TWDL \$011	Timer D register (lower digit)			
TRDU/TWDU \$012	Timer D register (upper digit)			
TMB2 \$013	Not used	Not used	Timer-B output mode selection	
TMC2 \$014	Not used	Timer-C output mode selection		
TMD2 \$015	*4	Timer-D output mode selection		
AMR \$016	Analog channel selection		Not used	*5
ADRL \$017	A/D data register (lower digit)			
ADRU \$018	A/D data register (upper digit)			
\$019	TONEC output frequency		TONER output frequency	
\$01A	*6	*7	DTMF enable	Not used
LCR \$01B	Not used	*8	*9	*10
LMR \$01C	LCD input clock source selection		LCD duty cycle selection	
LOR1 \$01D	R3 <sub>2</sub> /SEG4	R3 <sub>2</sub> /SEG3	R3 <sub>2</sub> /SEG2	R3 <sub>2</sub> /SEG1
LOR2 \$01E	R4 <sub>2</sub> /SEG8	R4 <sub>2</sub> /SEG7	R4 <sub>2</sub> /SEG6	R4 <sub>2</sub> /SEG5
LOR3 \$01F	Not used	R7/SEG17-20	R6/SEG13-16	R5/SEG9-12
\$020	Register flag area			
\$023				
PMRB \$024	R0 <sub>2</sub> /INT <sub>4</sub>	R0 <sub>2</sub> /INT <sub>3</sub>	R0 <sub>2</sub> /INT <sub>2</sub>	R0 <sub>2</sub> /INT <sub>1</sub>
PMRC \$025	D <sub>11</sub> /INT <sub>0</sub>	D <sub>10</sub> /STOPC	R2 <sub>2</sub> /EVND	R1 <sub>2</sub> /EVNB
ESR1 \$026	INT <sub>3</sub> detection edge selection		INT <sub>2</sub> detection edge selection	
ESR2 \$027	EVND detection edge selection		INT <sub>4</sub> detection edge selection	
SMRB \$028	Not used	Not used	*11	*12
SSR \$029	*13	*14	Clock select	Not used
	Not used			
DCD0 \$02C	Port D <sub>3</sub> DCR	Port D <sub>2</sub> DCR	Port D <sub>1</sub> DCR	Port D <sub>0</sub> DCR
DCD1 \$02D	Port D <sub>7</sub> DCR	Port D <sub>6</sub> DCR	Port D <sub>5</sub> DCR	Port D <sub>4</sub> DCR
DCD2 \$02E	Not used	Not used	Port D <sub>9</sub> DCR	Port D <sub>8</sub> DCR
	Not used			
DCR0 \$030	Port R0 <sub>3</sub> DCR	Port R0 <sub>2</sub> DCR	Port R0 <sub>1</sub> DCR	Port R0 <sub>0</sub> DCR
DCR1 \$031	Port R1 <sub>3</sub> DCR	Port R1 <sub>2</sub> DCR	Port R1 <sub>1</sub> DCR	Port R1 <sub>0</sub> DCR
DCR2 \$032	Port R2 <sub>3</sub> DCR	Port R2 <sub>2</sub> DCR	Port R2 <sub>1</sub> DCR	Port R2 <sub>0</sub> DCR
DCR3 \$033	Port R3 <sub>3</sub> DCR	Port R3 <sub>2</sub> DCR	Port R3 <sub>1</sub> DCR	Port R3 <sub>0</sub> DCR
DCR4 \$034	Port R4 <sub>3</sub> DCR	Port R4 <sub>2</sub> DCR	Port R4 <sub>1</sub> DCR	Port R4 <sub>0</sub> DCR
DCR5 \$035	Port R5 <sub>3</sub> DCR	Port R5 <sub>2</sub> DCR	Port R5 <sub>1</sub> DCR	Port R5 <sub>0</sub> DCR
DCR6 \$036	Port R6 <sub>3</sub> DCR	Port R6 <sub>2</sub> DCR	Port R6 <sub>1</sub> DCR	Port R6 <sub>0</sub> DCR
DCR7 \$037	Port R7 <sub>3</sub> DCR	Port R7 <sub>2</sub> DCR	Port R7 <sub>1</sub> DCR	Port R7 <sub>0</sub> DCR
	Not used			
V \$03F	Not used	Not used	Bank 0 to bank 2 selection	

- Notes:
1. Timer-A/time-base
  2. Auto-reload on/off
  3. Pull-up MOS control
  4. Input capture selection
  5. A/D conversion time
  6. TONEC output control
  7. TONER output control
  8. Display on/off in watch mode
  9. LCD power switch
  10. LCD display on/off
  11. SO output level control in idle states
  12. Transmit clock source selection
  13. 32-kHz oscillation stop
  14. 32-kHz oscillation division ratio

Figure 5 Special Function Register Area

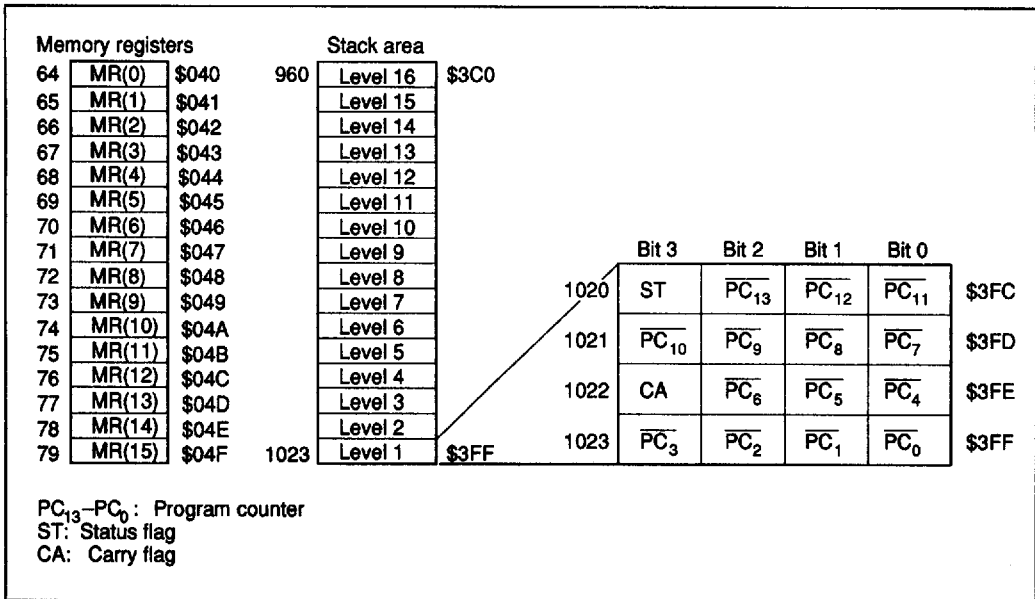


Figure 6 Configuration of Memory Registers and Stack Area, and Stack Position

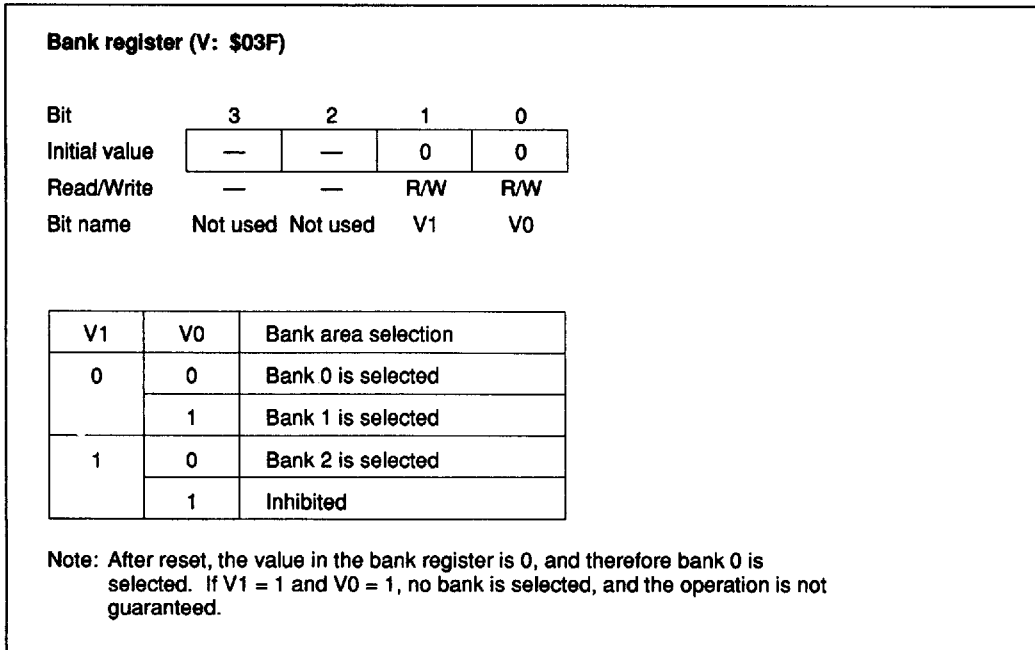


Figure 7 Bank Register (V)

## Functional Description

### Registers and Flags

The MCU has nine registers and two flags for CPU operations. They are shown in figure 8 and described below.

**Accumulator (A), B Register (B):** Four-bit registers used to hold the results from the arithmetic logic unit (ALU) and transfer data between memory, I/O, and other registers.

**W Register (W), X Register (X), Y Register (Y):** Two-bit (W) and four-bit (X and Y) registers used

for indirect RAM addressing. The Y register is also used for D-port addressing.

**SPX Register (SPX), SPY Register (SPY):** Four-bit registers used to supplement the X and Y registers.

**Carry Flag (CA):** One-bit flag that stores any ALU overflow generated by an arithmetic operation. CA is affected by the SEC, REC, ROTL, and ROTR instructions. A carry is pushed onto the stack during an interrupt and popped from the stack by the RTNI instruction—but not by the RTN instruction.

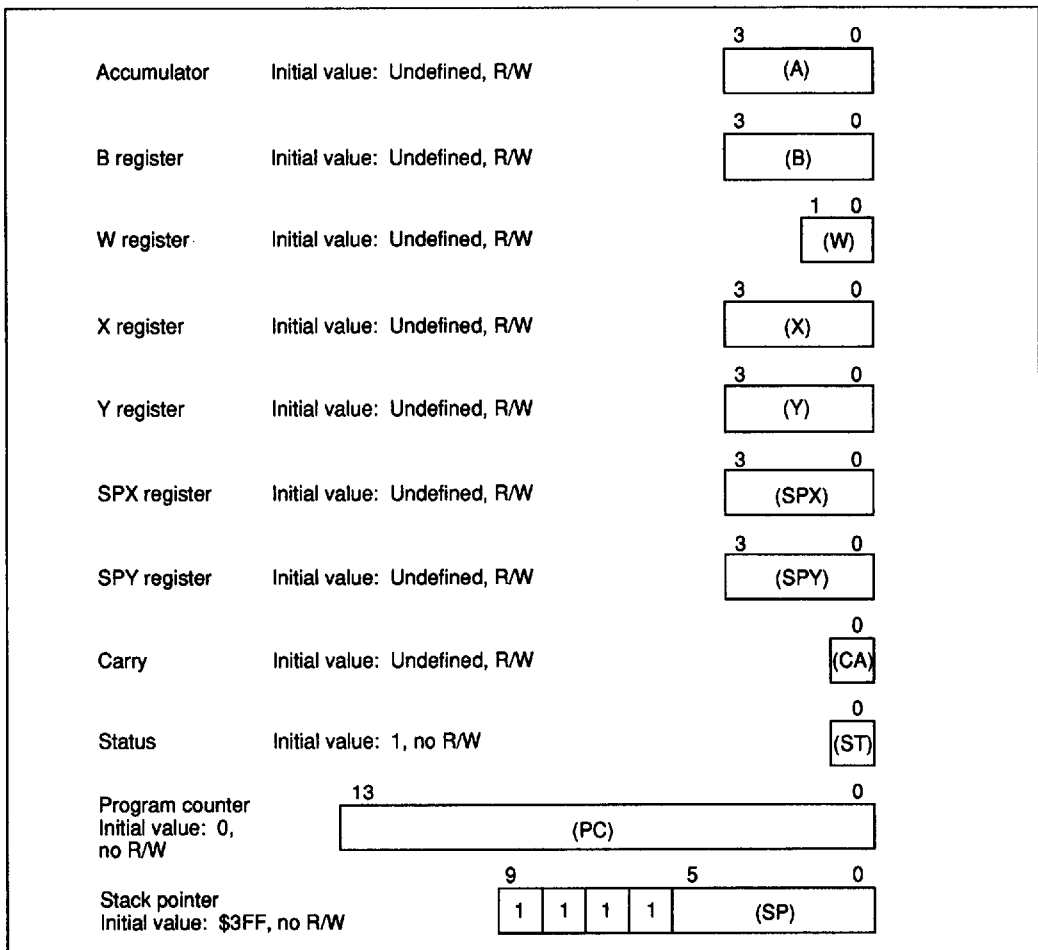


Figure 8 Registers and Flags

**Status Flag (ST):** One-bit flag that latches any overflow generated by an arithmetic or compare instruction, not-zero decision from the ALU, or result of a bit test. ST is used as a branch condition of the BR, BRL, CAL, and CALL instructions. The contents of ST remain unchanged until the next arithmetic, compare, or bit test instruction is executed, but become 1 after the BR, BRL, CAL, or CALL instruction is read, regardless of whether the instruction is executed or skipped. The contents of ST are pushed onto the stack during an interrupt and popped from the stack by the RTNI instruction—but not by the RTN instruction.

**Program Counter (PC):** 14-bit binary counter that points to the ROM address of the instruction being executed.

**Stack Pointer (SP):** Ten-bit pointer that contains the address of the stack area to be used next. The SP is initialized to \$3FF by MCU reset. It is decremented by 4 when data is pushed onto the stack, and incremented by 4 when data is popped from the stack. The top four bits of the SP are fixed at 1111, so a stack can be used up to 16 levels.

The SP can be initialized to \$3FF in another way: by resetting the RSP bit with the REM or REMD instruction.

**Reset**

The MCU is reset by inputting a high-level voltage to the RESET pin. At power-on or when stop mode is cancelled, RESET must be high for at least one  $t_{RC}$  to enable the oscillator to stabilize. During operation, RESET must be high for at least two instruction cycles.

Initial values after MCU reset are listed in table 1.

**Interrupts**

The MCU has 11 interrupt sources: five external signals ( $INT_0$ ,  $INT_1$ ,  $INT_2$ – $INT_4$ ), four timer/counters (timers A, B, C, and D), serial interface, and A/D converter.

An interrupt request flag (IF), interrupt mask (IM), and vector address are provided for each interrupt source, and an interrupt enable flag (IE) controls the entire interrupt process.

Some vector addresses are shared by two different interrupts. They are timer B and  $INT_2$ , timer C and  $INT_3$ , timer D and  $INT_4$ , and A/D converter and serial interface interrupts. So the type of request that has occurred must be checked at the beginning of interrupt processing.

**Interrupt Control Bits and Interrupt Processing:** Locations \$000 to \$003 and \$022 to \$023 in RAM are reserved for the interrupt control bits which can be accessed by RAM bit manipulation instructions.

The interrupt request flag (IF) cannot be set by software. MCU reset initializes the interrupt enable flag (IE) and the IF to 0 and the interrupt mask (IM) to 1.

A block diagram of the interrupt control circuit is shown in figure 9, interrupt priorities and vector addresses are listed in table 2, and interrupt processing conditions for the 11 interrupt sources are listed in table 3.

An interrupt request occurs when the IF is set to 1 and the IM is set to 0. If the IE is 1 at that point, the interrupt is processed. A priority programmable logic array (PLA) generates the vector address assigned to that interrupt source.

The interrupt processing sequence is shown in figure 10 and an interrupt processing flowchart is shown in figure 11. After an interrupt is acknowledged, the previous instruction is completed in the first cycle. The IE is reset in the second cycle, the carry, status, and program counter values are pushed onto the stack during the second and third cycles, and the program jumps to the vector address to execute the instruction in the third cycle.

Program the JMPL instruction at each vector address, to branch the program to the start address of the interrupt program, and reset the IF by a software instruction within the interrupt program.

# HD404629 Series

**Table 1 Initial Values After MCU Reset**

Item	Abbr.	Initial Value	Contents		
Program counter	(PC)	\$0000	Indicates program execution point from start address of ROM area		
Status flag	(ST)	1	Enables conditional branching		
Stack pointer	(SP)	\$3FF	Stack level 0		
Interrupt flags/mask	Interrupt enable flag	(IE)	0	Inhibits all interrupts	
	Interrupt request flag	(IF)	0	Indicates there is no interrupt request	
	Interrupt mask	(IM)	1	Prevents (masks) interrupt requests	
I/O	Port data register	(PDR)	All bits 1	Enables output at level 1	
	Data control register	(DCD0, DCD1)	All bits 0	Turns output buffer off (to high impedance)	
		(DCD2)	-- 00		
		(DCR0 - DCR7)	All bits 0		
	Port mode register A	(PMRA)	-- 00	Refer to description of port mode register A	
	Port mode register B	(PMRB)	0000	Refer to description of port mode register B	
	Port mode register C bits 3, 1, 0	(PMRC3, PMRC1, PMRC0)	000	Refer to description of port mode register C	
	Detection edge select register 1	(ESR1)	0000	Disables edge detection	
	Detection edge select register 2	(ESR2)	0000	Disables edge detection	
	Timer/counters, serial interface	Timer mode register A	(TMA)	0000	Refer to description of timer mode register A
Timer mode register B1		(TMB1)	0000	Refer to description of timer mode register B1	
Timer mode register B2		(TMB2)	-- 00	Refer to description of timer mode register B2	
Timer mode register C1		(TMC1)	0000	Refer to description of timer mode register C1	
Timer mode register C2		(TMC2)	- 000	Refer to description of timer mode register C2	
Timer mode register D1		(TMD1)	0000	Refer to description of timer mode register D1	
Timer mode register D2		(TMD2)	0000	Refer to description of timer mode register D2	
Serial mode register A		(SMRA)	0000	Refer to description of serial mode register A	
Serial mode register B		(SMRB)	-- 00	Refer to description of serial mode register B	
Prescaler S		(PSS)	\$000	---	
Prescaler W		(PSW)	\$00	---	
Timer counter A		(TCA)	\$00	---	
Timer counter B		(TCB)	\$00	---	
Timer counter C		(TCC)	\$00	---	
Timer counter D		(TCD)	\$00	---	
Timer write register B		(TWBU, TWBL)	\$X0	---	
Timer write register C		(TWCU, TWCL)	\$X0	---	
Timer write register D		(TWDU, TWDL)	\$X0	---	
Octal counter		(OC)	000	---	
A/D		A/D mode register	(AMR)	00 - 0	Refer to description of A/D mode register
		A/D data register	(ADRL, ADRU)	\$80	Refer to description of A/D data register

**Table 1 Initial Values After MCU Reset (cont)**

Item		Abbr.	Initial Value	Contents
LCD	LCD control register	(LCR)	- 000	Refer to description of LCD control register
	LCD mode register	(LMR)	0000	Refer to description of LCD duty-cycle/clock control register
	LCD output register 1	(LOR1)	0000	Sets R-port/LCD segment pins to R port mode
	LCD output register 2	(LOR2)	0000	
	LCD output register 3	(LOR3)	- 000	
DTMF	Tone generator mode register	(TGM)	0000	Refer to description of tone generator mode register
	Tone generator control register	(TGC)	000 -	Refer to description of tone generator control register
Bit registers	Low speed on flag	(LSON)	0	Refer to description of operating modes
	Watchdog timer on flag	(WDON)	0	Refer to description of timer C
	A/D start flag	(ADSF)	0	Refer to description of A/D converter
	Direct transfer on flag	(DTON)	0	Refer to description of operating modes
	Input capture status flag	(ICSF)	0	Refer to description of timer D
	Input capture error flag	(ICEF)	0	Refer to description of timer D
Others	Miscellaneous register	(MIS)	0000	Refer to description of operating modes, I/O, and serial interface
	System clock select register bits 2-0	(SSR2 -SSR0)	000	Refer to description of operating modes, oscillation circuits, and DTMF generator
	Bank register	(V)	-- 00	Refer to description of RAM memory map

- Notes: 1. The statuses of other registers and flags after MCU reset are shown in the following table.  
 2. X indicates invalid value. - indicates that the bit does not exist.

Item	Abbr.	Status After Cancellation of Stop Mode by STOPC Input	Status After Cancellation of Stop Mode by RESET Input	Status After all Other Types of Reset
Carry flag	(CA)	Pre-stop-mode values are not guaranteed; values must be initialized by program	0	Pre-MCU-reset values are not guaranteed; values must be initialized by program
Accumulator	(A)			
B register	(B)			
W register	(W)			
X/SPX register	(X/SPX)			
Y/SPY register	(Y/SPY)			
Serial data register (SRL, SRU)				
RAM		Pre-stop-mode values are retained		
RAM enable flag	(RAME)	1	0	0
Port mode register 1 bit 2	(PMRC12)	Pre-stop-mode values are retained	0	0
System clock select register bit 3	(SSR3)			

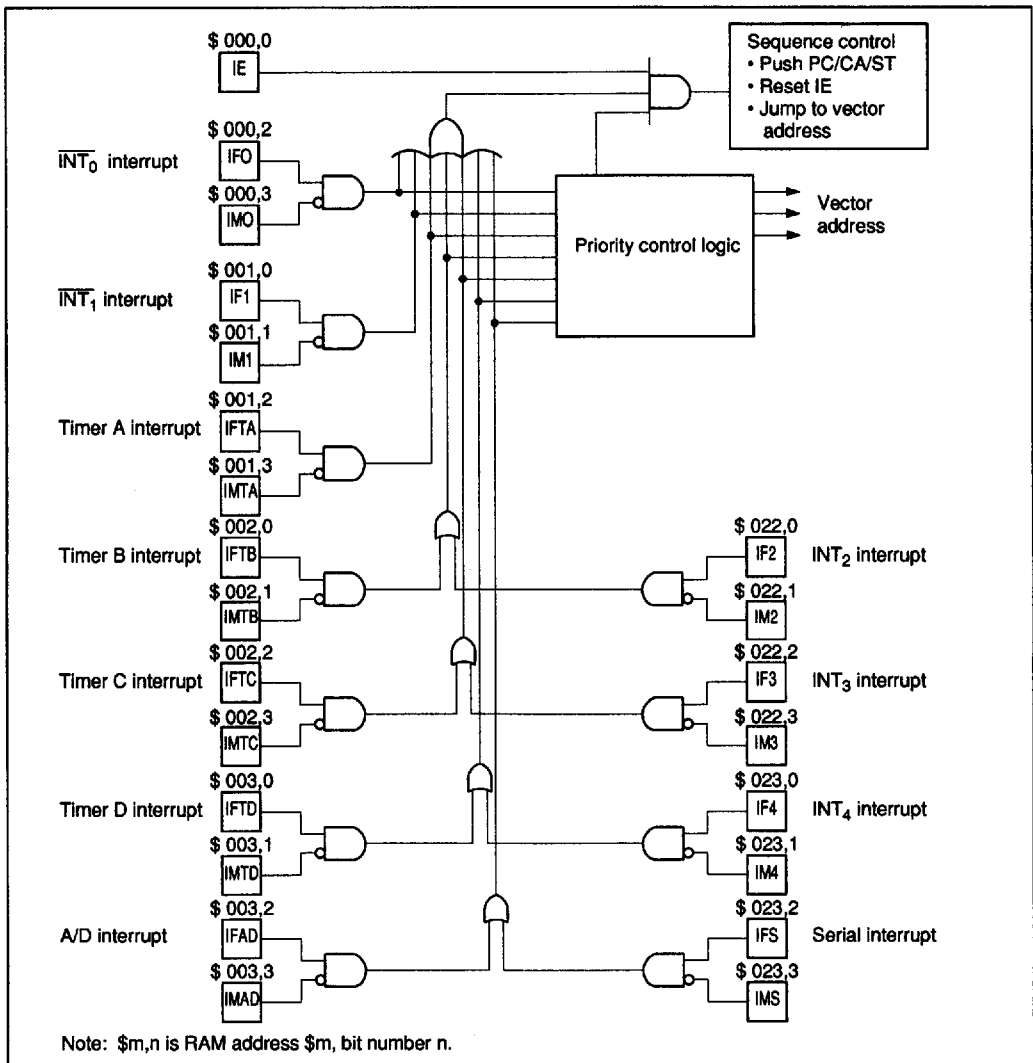


# HD404629 Series

**Table 2 Vector Addresses and Interrupt Priorities**

Reset/Interrupt	Priority	Vector Address
RESET, STOPC*	—	\$0000
INT <sub>0</sub>	1	\$0002
INT <sub>1</sub>	2	\$0004
Timer A	3	\$0006
Timer B, INT <sub>2</sub>	4	\$0008
Timer C, INT <sub>3</sub>	5	\$000A
Timer D, INT <sub>4</sub>	6	\$000C
A/D, Serial	7	\$000E

Note: \* The STOPC interrupt request is valid only in stop mode.



**Figure 9 Interrupt Control Circuit**

Table 3 Interrupt Processing and Activation Conditions

Interrupt Control Bit	Interrupt Source						
	$\overline{INT}_0$	$\overline{INT}_1$	Timer A	Timer B or $INT_2$	Timer C or $INT_3$	Timer D or $INT_4$	A/D or Serial
IE	1	1	1	1	1	1	1
IF0 · IM0	1	0	0	0	0	0	0
IF1 · IM1	*	1	0	0	0	0	0
IFTA · IMTA	*	*	1	0	0	0	0
IFTB · IMTB + IF2 · IM2	*	*	*	1	0	0	0
IFTC · IMTC + IF3 · IM3	*	*	*	*	1	0	0
IFTD · IMTD + IF4 · IM4	*	*	*	*	*	1	0
IFAD · IMAD + IFS · IMS	*	*	*	*	*	*	1

Note: Bits marked \* can be either 0 or 1. Their values have no effect on operation.

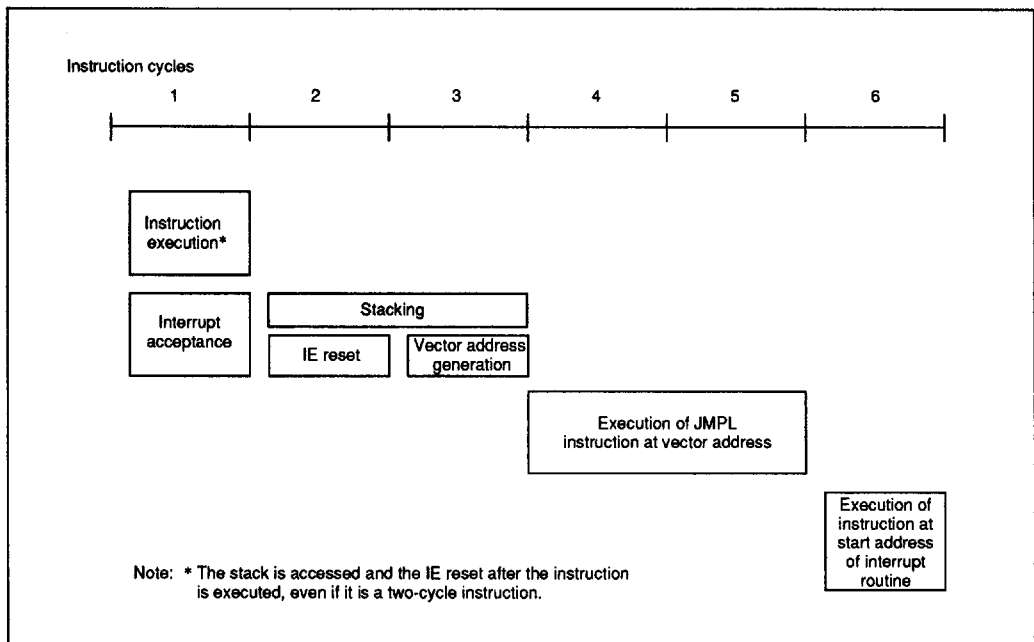


Figure 10 Interrupt Processing Sequence

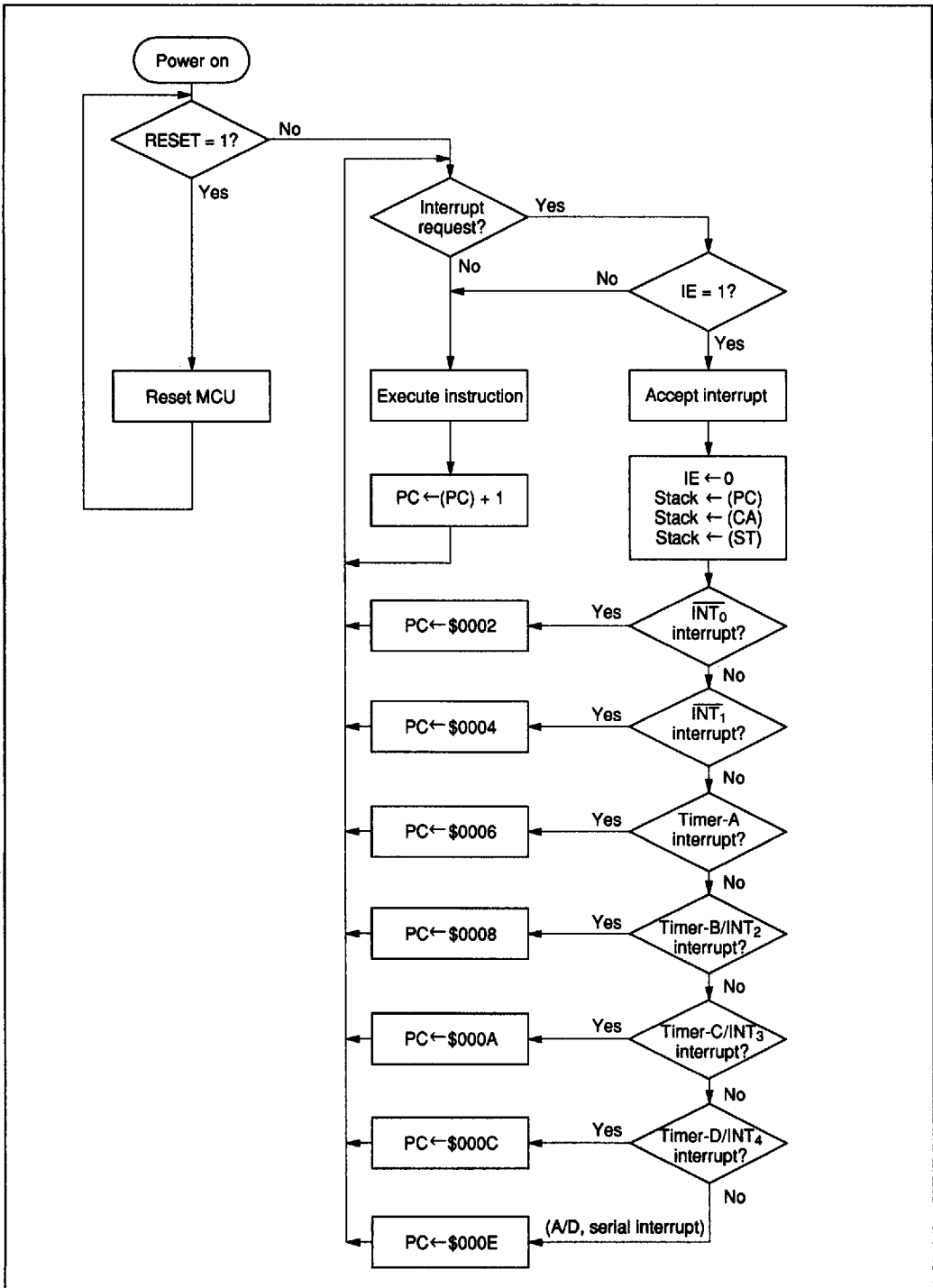


Figure 11 Interrupt Processing Flowchart

**Interrupt Enable Flag (IE: \$000, Bit 0):** Controls the entire interrupt process. It is reset by the interrupt processing and set by the RTNI instruction, as listed in table 4.

**External Interrupts ( $\overline{INT}_0$ ,  $\overline{INT}_1$ ,  $INT_2$ - $INT_4$ ):** Five external interrupt signals.

**External Interrupt Request Flags (IF0-IF4: \$000, \$001, \$022, \$023):** IF0 and IF1 are set at the falling edge of signals input to  $\overline{INT}_0$  and  $\overline{INT}_1$ , and IF2-IF4 are set at the rising or falling edge of signals input to  $INT_2$ - $INT_4$ , as listed in table 5. The  $INT_2$ - $INT_4$  interrupt edges are selected by the detection edge select registers (ESR1, ESR2: \$026, \$027) as shown in figures 12 and 13.

**External Interrupt Masks (IM0-IM4: \$000, \$001, \$022, \$023):** Prevent (mask) interrupt

requests caused by the corresponding external interrupt request flags, as listed in table 6.

**Timer A Interrupt Request Flag (IFTA: \$001, Bit 2):** Set by overflow output from timer A, as listed in table 7.

**Timer A Interrupt Mask (IMTA: \$001, Bit 3):** Prevents (masks) an interrupt request caused by the timer A interrupt request flag, as listed in table 8.

**Timer B Interrupt Request Flag (IFTB: \$002, Bit 0):** Set by overflow output from timer B, as listed in table 9.

**Timer B Interrupt Mask (IMTB: \$002, Bit 1):** Prevents (masks) an interrupt request caused by the timer B interrupt request flag, as listed in table 10.

Table 4 Interrupt Enable Flag (IE: \$000, Bit 0)

IE	Interrupt Enabled/Disabled
0	Disabled
1	Enabled

Table 5 External Interrupt Request Flags (IF0-IF4: \$000, \$001, \$022, \$023)

IF0-IF4	Interrupt Request
0	No
1	Yes

Table 6 External Interrupt Masks (IM0-IM4: \$000, \$001, \$022, \$023)

IM0-IM4	Interrupt Request
0	Enabled
1	Disabled (masked)

Table 7 Timer A Interrupt Request Flag (IFTA: \$001, Bit 2)

IFTA	Interrupt Request
0	No
1	Yes

Table 8 Timer A Interrupt Mask (IMTA: \$001, Bit 3)

IMTA	Interrupt Request
0	Enabled
1	Disabled (masked)

Table 9 Timer B Interrupt Request Flag (IFTB: \$002, Bit 0)

IFTB	Interrupt Request
0	No
1	Yes

Table 10 Timer B Interrupt Mask (IMTB: \$002, Bit 1)

IMTB	Interrupt Request
0	Enabled
1	Disabled (masked)

## Detection edge selection register 1 (ESR1: \$026)

Bit	3	2	1	0
Initial value	0	0	0	0
Read/Write	W	W	W	W
Bit name	ESR13	ESR12	ESR11	ESR10

ESR13	ESR12	INT <sub>3</sub> detection edge
0	0	No detection
	1	Falling-edge detection
1	0	Rising-edge detection
	1	Double-edge detection*

ESR11	ESR10	INT <sub>2</sub> detection edge
0	0	No detection
	1	Falling-edge detection
1	0	Rising-edge detection
	1	Double-edge detection*

Note: \* Both falling and rising edges are detected.

Figure 12 Detection Edge Selection Register 1 (ESR1)

## Detection edge selection register 2 (ESR2: \$027)

Bit	3	2	1	0
Initial value	0	0	0	0
Read/Write	W	W	W	W
Bit name	ESR23	ESR22	ESR21	ESR20

ESR23	ESR22	EVND detection edge
0	0	No detection
	1	Falling-edge detection
1	0	Rising-edge detection
	1	Double-edge detection*

ESR21	ESR20	INT <sub>4</sub> detection edge
0	0	No detection
	1	Falling-edge detection
1	0	Rising-edge detection
	1	Double-edge detection*

Note: \* Both falling and rising edges are detected.

Figure 13 Detection Edge Selection Register 2 (ESR2)

**Timer C Interrupt Request Flag (IFTC: \$002, Bit 2):** Set by overflow output from timer C, as listed in table 11.

**Timer C Interrupt Mask (IMTC: \$002, Bit 3):** Prevents (masks) an interrupt request caused by the timer C interrupt request flag, as listed in table 12.

**Timer D Interrupt Request Flag (IFTD: \$003, Bit 0):** Set by overflow output from timer D, or by the rising or falling of signals input to EVND when the input capture function is used, as listed in table 13.

**Timer D Interrupt Mask (IMTD: \$003, Bit 1):** Prevents (masks) an interrupt request caused by the timer D interrupt request flag, as listed in table 14.

**Serial Interrupt Request Flag (IFS: \$023, Bit 2):** Set when data transfer is completed or when data transfer is suspended, as listed in table 15.

**Serial Interrupt Mask (IMS: \$023, Bit 3):** Prevents (masks) an interrupt request caused by the serial interrupt request flag, as listed in table 16.

**A/D Interrupt Request Flag (IFAD: \$003, Bit 2):** Set at the completion of A/D conversion, as listed in table 17.

**A/D Interrupt Mask (IMAD: \$003, Bit 3):** Prevents (masks) an interrupt request caused by the A/D interrupt request flag, as listed in table 18.

**Table 11 Timer C Interrupt Request Flag (IFTC: \$002, Bit 2)**

IFTC	Interrupt Request
0	No
1	Yes

**Table 12 Timer C Interrupt Mask (IMTC: \$002, Bit 3)**

IMTC	Interrupt Request
0	Enabled
1	Disabled (masked)

**Table 13 Timer D Interrupt Request Flag (IFTD: \$003, Bit 0)**

IFTD	Interrupt Request
0	No
1	Yes

**Table 14 Timer D Interrupt Mask (IMTD: \$003, Bit 1)**

IMTD	Interrupt Request
0	Enabled
1	Disabled (masked)

**Table 15 Serial Interrupt Request Flag (IFS: \$023, Bit 2)**

IFS	Interrupt Request
0	No
1	Yes

**Table 16 Serial Interrupt Mask (IMS: \$023, Bit 3)**

IMS	Interrupt Request
0	Enabled
1	Disabled (masked)

**Table 17 A/D Interrupt Request Flag (IFAD: \$003, Bit 2)**

IFAD	Interrupt Request
0	No
1	Yes

**Table 18 A/D Interrupt Mask (IMAD: \$003, Bit 3)**

IMAD	Interrupt Request
0	Enabled
1	Disabled (masked)

# HD404629 Series

## Operating Modes

The MCU has five operating modes as shown in table 19. The operations in each mode are listed in tables 20 and 21. Transitions between operating modes are shown in figure 14.

**Active Mode:** All MCU functions operate according to the clock generated by the system oscillator  $OSC_1$  and  $OSC_2$ .

**Table 19** Operating Modes and Clock Status


		Mode Name				
		Active	Standby	Stop	Watch	Subactive*2
Activation method		RESET cancellation, interrupt request, STOPC cancellation in stop mode, STOP/SBY instruction in subactive mode (when direct transfer is selected)	SBY instruction	STOP instruction when TMA3 = 0	STOP instruction when TMA3 = 1	$\overline{INT}_0$ or timer A interrupt request from watch mode
Status	System oscillator			Stopped	Stopped	Stopped
	Subsystem oscillator	*1				
Cancellation method		RESET input, STOP/SBY instruction	RESET input, interrupt request	RESET input, STOPC input in stop mode	RESET input, $\overline{INT}_0$ or timer A interrupt request	RESET input, STOP/SBY instruction

Notes:  implies in operation.

1. Operating or stopping the oscillator can be selected by setting bit 3 of the system clock select register (SSR: \$029).
2. Subactive mode is an optional function; specify it on the function option list.

**Table 20 Operations in Low-Power Dissipation Modes**

Function	Stop Mode	Watch Mode	Standby Mode	Subactive Mode*2
CPU	Reset	Retained	Retained	
RAM	Retained	Retained	Retained	
Timer A	Reset			
Timer B	Reset	Stopped		
Timer C	Reset	Stopped		
Timer D	Reset	Stopped		
Serial interface	Reset	Stopped*3		
A/D	Reset	Stopped		Stopped
LCD	Reset	*4		
DTMF	Reset	Reset	Stopped	Reset
I/O	Reset*1	Retained	Retained	

Notes:  implies in operation.

1. Output pins are at high impedance.
2. Subactive mode is an optional function specified on the function option list.
3. Transmission/Reception is activated if a clock is input in external clock mode. However, interrupts stop.
4. When a 32-kHz clock source is used.

**Table 21 I/O Status in Low-Power Dissipation Modes**

	Output		Input
	Standby Mode, Watch Mode	Stop Mode	Active Mode, Subactive Mode
D <sub>0</sub> -D <sub>9</sub>	Retained	High impedance	Input enabled
D <sub>10</sub> -D <sub>11</sub>	—	—	Input enabled
RO-R7	Retained or output of peripheral functions	High impedance	Input enabled



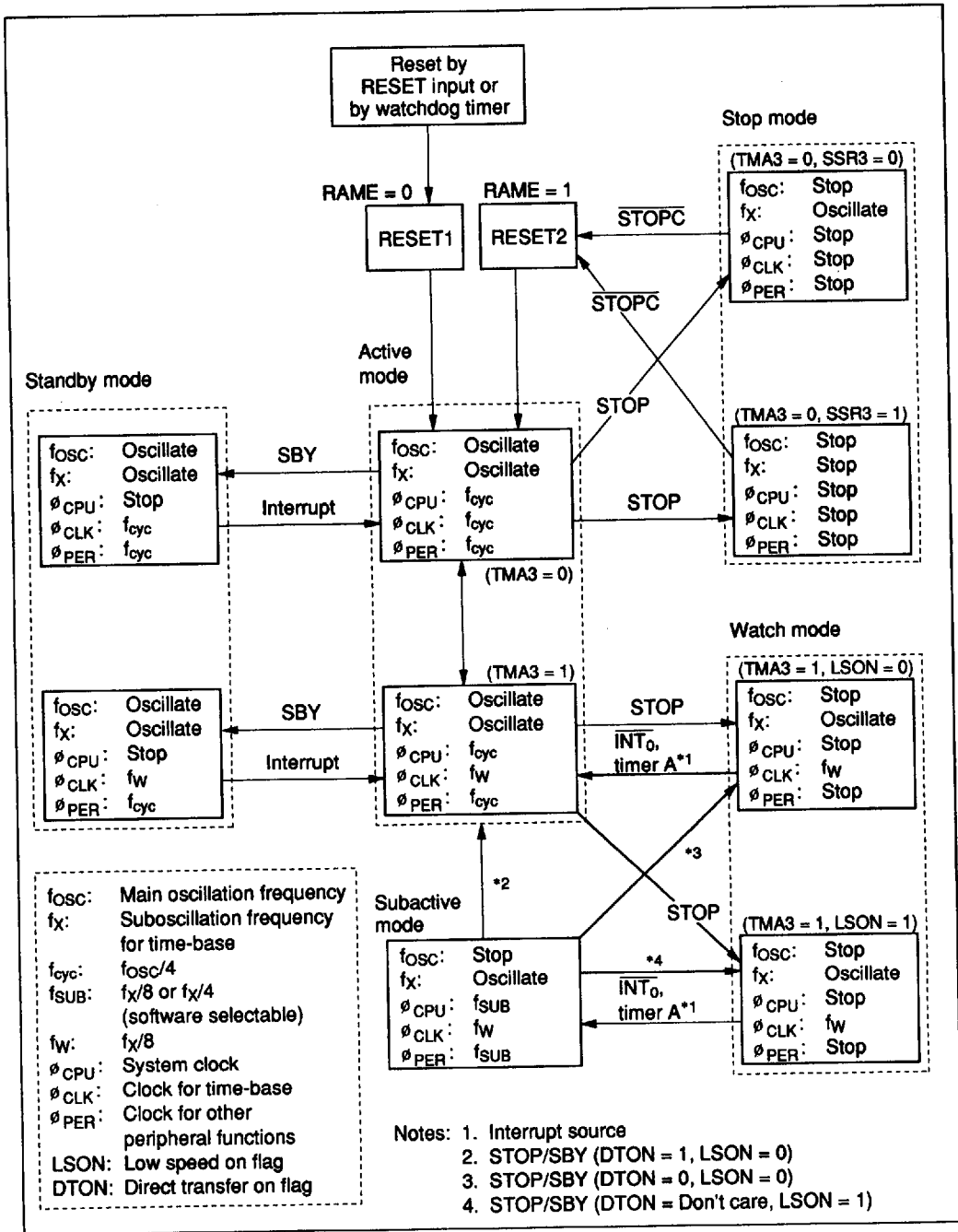


Figure 14 MCU Status Transitions

**Standby Mode:** In standby mode, the oscillators continue to operate, but the clocks related to instruction execution stop. Therefore, the CPU operation stops, but all RAM and register contents are retained, and the D or R port status, when set to output, is maintained. Peripheral functions such as interrupts, timers, and serial interface continue to operate. The power dissipation in this mode is lower than in active mode because the CPU stops.

Standby mode is terminated by a RESET input or an interrupt request. If it is terminated by RESET input, the MCU is reset as well. After an interrupt request, the MCU enters active mode and executes the next instruction after the SBY instruction. If the interrupt enable flag is 1, the interrupt is then processed; if it is 0, the interrupt request is left pending and normal instruction execution continues. A flowchart of operation in standby mode is shown in figure 15.

The MCU enters standby mode when the SBY instruction is executed in active mode.

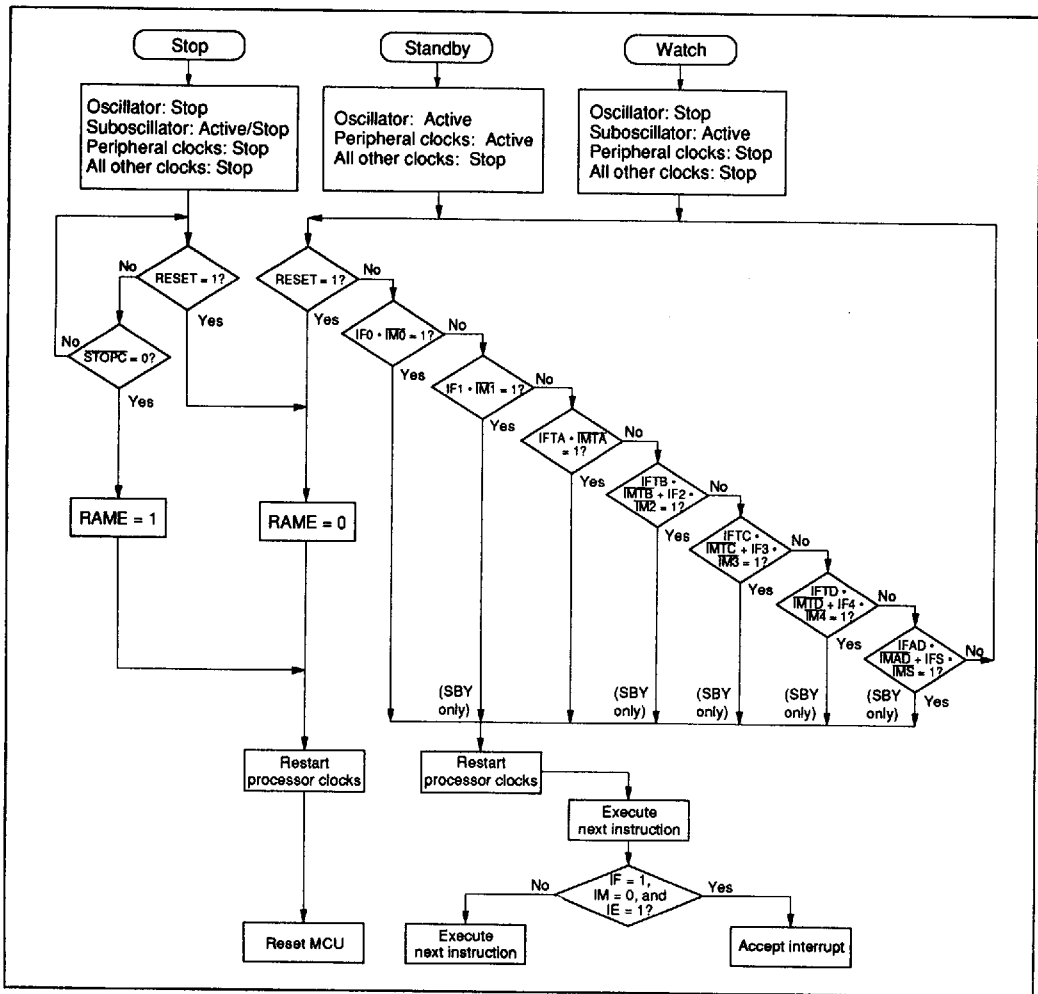


Figure 15 MCU Operation Flowchart

## HD404629 Series

**Stop Mode:** In stop mode, all MCU operations stop and RAM data is retained. Therefore, the power dissipation in this mode is the least of all modes. The OSC<sub>1</sub> and OSC<sub>2</sub> oscillator stops. For the X1 and X2 oscillator to operate or stop can be selected by setting bit 3 of the system clock select register (SSR: \$029; operating: SSR3 = 0, stop: SSR3 = 1) (figure 27). The MCU enters stop mode if the STOP instruction is executed in active mode when bit 3 of timer mode register A (TMA: \$008) is set to 0 (TMA3 = 0) (figure 44).

Stop mode is terminated by a RESET input or a  $\overline{\text{STOPC}}$  input as shown in figure 16. RESET or  $\overline{\text{STOPC}}$  must be applied for at least one  $t_{RC}$  to stabilize oscillation (refer to the AC Characteristics section). When the MCU restarts after stop mode is cancelled, all RAM contents before entering stop mode are retained, but the accuracy of the contents of the accumulator, B register, W register, X/SPX register, Y/SPY register, carry flag, and serial data register cannot be guaranteed.

**Watch Mode:** In watch mode, the clock function (timer A) using the X1 and X2 oscillator and the

LCD function operate, but other function operations stop. Therefore, the power dissipation in this mode is the second least to stop mode, and this mode is convenient when only clock display is used. In this mode, the OSC<sub>1</sub> and OSC<sub>2</sub> oscillator stops, but the X1 and X2 oscillator operates. The MCU enters watch mode if the STOP instruction is executed in active mode when TMA3 = 1, or if the STOP or SBY instruction is executed in subactive mode.

Watch mode is terminated by a RESET input or a timer-A/ $\overline{\text{INT}}_0$  interrupt request. For details of RESET input, refer to the Stop Mode section. When terminated by a timer-A/ $\overline{\text{INT}}_0$  interrupt request, the MCU enters active mode if LSON = 0, or subactive mode if LSON = 1. After an interrupt request is generated, the time required to enter active mode is  $t_{RC}$  for a timer A interrupt, and  $T_X$  (where  $T + t_{RC} < T_X < 2T + t_{RC}$ ) for an  $\overline{\text{INT}}_0$  interrupt, as shown in figures 17 and 18.

Operation during mode transition is the same as that at standby mode cancellation (figure 15).

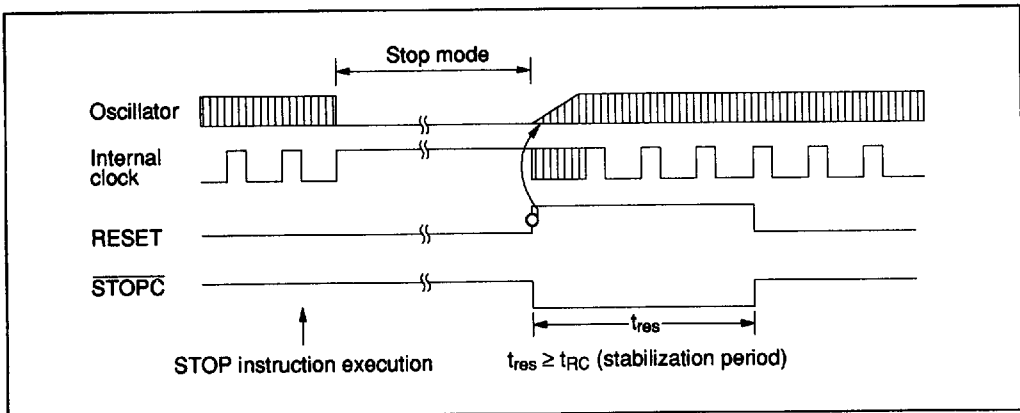


Figure 16 Timing of Stop Mode Cancellation

**Subactive Mode:** The OSC<sub>1</sub> and OSC<sub>2</sub> oscillator stops and the MCU operates with a clock generated by the X1 and X2 oscillator. In this mode, functions except the A/D conversion operate. However, because the operating clock is slow, the power dissipation becomes low, next to watch mode.

The CPU instruction execution speed can be selected as 244 μs or 122 μs by setting bit 2 (SSR2) of the system clock select register (SSR: \$029). Note that the SSR2 value must be changed in active mode. If the value is changed in subactive mode, the MCU may malfunction.

When the STOP or SBY instruction is executed in subactive mode, the MCU enters either watch or active mode, depending on the statuses of the low speed on flag (LSON: \$020, bit 0) and the direct transfer on flag (DTON: \$020, bit 3).

Subactive mode is an optional function that the user must specify on the function option list.

**Interrupt Frame:** In watch and subactive modes,  $\Phi_{CLK}$  is applied to timer A and the  $\overline{INT}_0$  circuit. Prescaler W and timer A operate as the time-base and generate the timing clock for the interrupt frame. Three interrupt frame lengths (T) can be selected by setting the miscellaneous register (MIS: \$00C) (figure 18).

In watch and subactive modes, the timer-A/ $\overline{INT}_0$  interrupt is generated synchronously with the interrupt frame. The interrupt request is generated synchronously with the interrupt strobe timing except during transition to active mode. The falling edge of the  $\overline{INT}_0$  signal is input asynchronously with the interrupt frame timing, but it is regarded as input synchronously with the second interrupt strobe clock after the falling edge. An overflow and interrupt request in timer A is generated synchronously with the interrupt strobe timing.

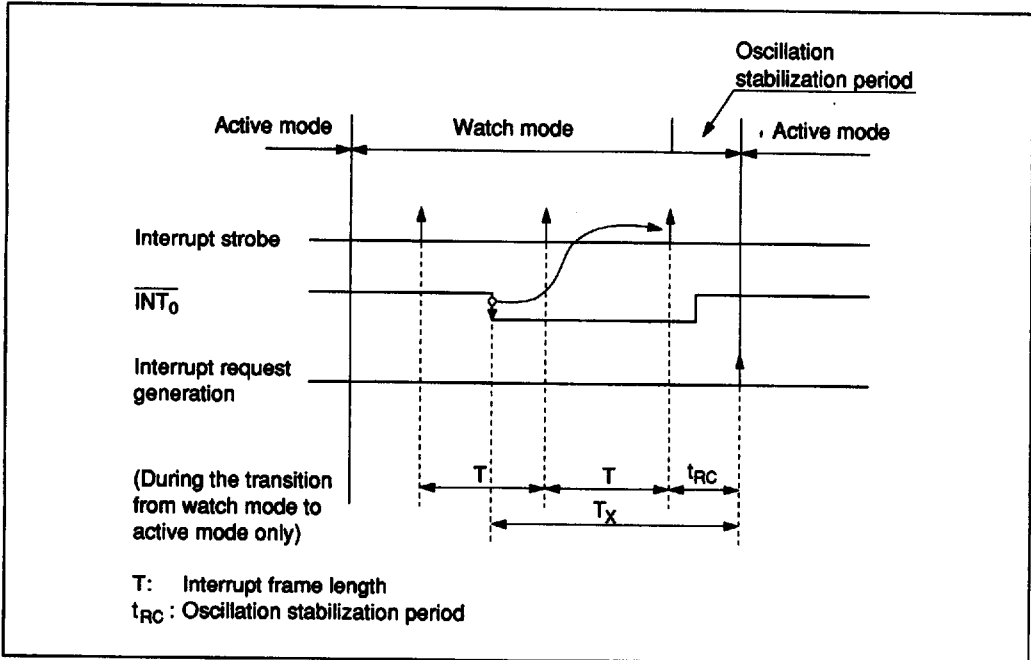


Figure 17 Interrupt Frame

# HD404629 Series

**Direct Transition from Subactive Mode to Active Mode:** Available by controlling the direct transfer on flag (DTON: \$020, bit 3) and the low speed on flag (LSON: \$020, bit 0). The procedures are described below:

- Set LSON to 0 and DTON to 1 in subactive mode.
- Execute the STOP or SBY instruction.
- The MCU automatically enters active mode

from subactive mode after waiting for the MCU internal processing time and oscillation stabilization time (figure 19).

- Notes:
1. The DTON flag can be set only in subactive mode. It is always reset in active mode.
  2. The transition time ( $T_D$ ) from subactive mode to active mode:  
 $t_{RC} < T_D < T + t_{RC}$

## Miscellaneous register (MIS: \$00C)

Bit	3	2	1	0
Initial value	0	0	0	0
Read/Write	W	W	W	W
Bit name	MIS3	MIS2	MIS1	MIS0

MIS3	MIS2	MIS1	MIS0	$T^*1$	$t_{RC}^*1$	Oscillation circuit conditions
Buffer control. Refer to figure 41.		0	0	0.24414 ms	0.12207 ms	External clock input
					0.24414 ms*2	
		0	1	15.625 ms	7.8125 ms	Ceramic oscillator
		1	0	62.5 ms	31.25 ms	
		1	1	Not used		—

- Notes:
1. The values of  $T$  and  $t_{RC}$  are applied when a 32.768-kHz crystal oscillator is used.
  2. The value is applied only when direct transfer operation is used.

Figure 18 Miscellaneous Register (MIS)

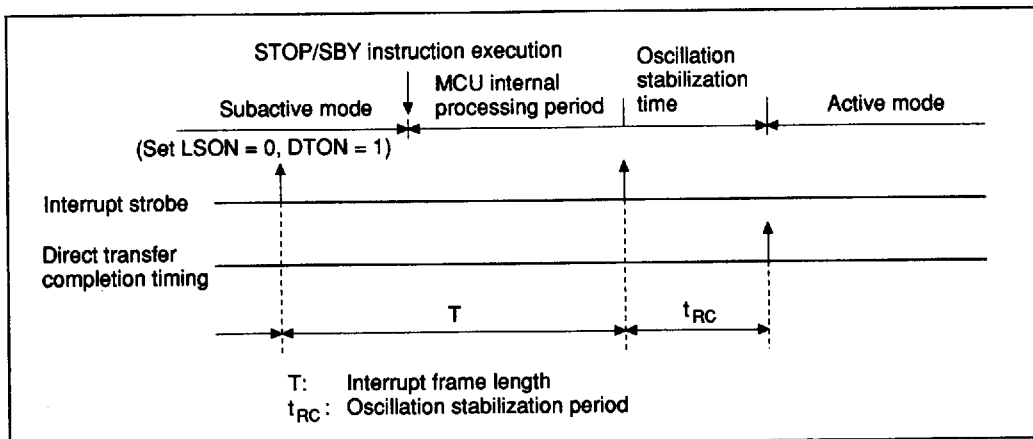


Figure 19 Direct Transition Timing

**Stop Mode Cancellation by  $\overline{\text{STOPC}}$ :** The MCU enters active mode from stop mode by inputting  $\overline{\text{STOPC}}$  as well as by RESET. In either case, the MCU starts instruction execution from the starting address (address 0) of the program. However, the value of the RAM enable flag (RAME: \$021, bit 3) differs between cancellation by  $\overline{\text{STOPC}}$  and by RESET. When stop mode is cancelled by RESET, RAME = 0; when cancelled by  $\overline{\text{STOPC}}$ , RAME = 1. RESET can cancel all modes, but  $\overline{\text{STOPC}}$  is valid only in stop mode;  $\overline{\text{STOPC}}$  input is ignored in other modes. Therefore, when the program requires to confirm that stop mode has been cancelled by  $\overline{\text{STOPC}}$  (for example, when the RAM contents before entering stop mode is used after transition to active mode), execute the TEST instruction to the RAM enable flag (RAME) at the

beginning of the program.

**MCU Operation Sequence:** The MCU operates in the sequence shown in figures 20 to 22. It is reset by an asynchronous RESET input, regardless of its status.

The low-power mode operation sequence is shown in figure 22. With the IE flag cleared and an interrupt flag set together with its interrupt mask cleared, if a STOP/SBY instruction is executed, the instruction is cancelled (regarded as an NOP) and the following instruction is executed. Before executing a STOP/SBY instruction, make sure all interrupt flags are cleared or all interrupts are masked.

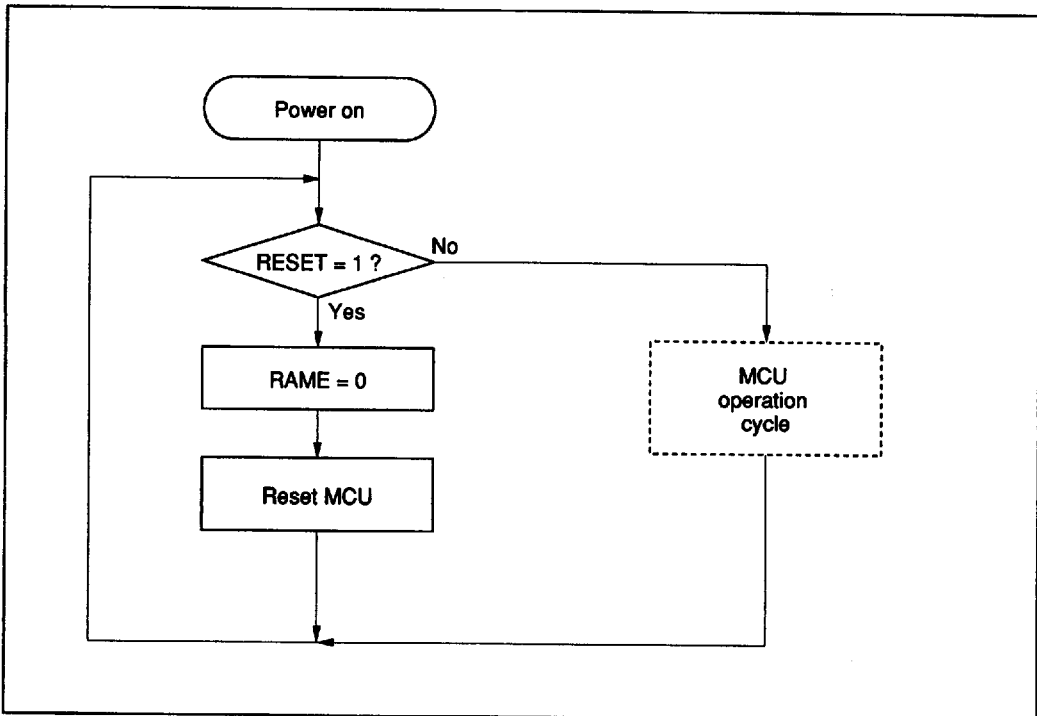


Figure 20 MCU Operating Sequence (Power On)

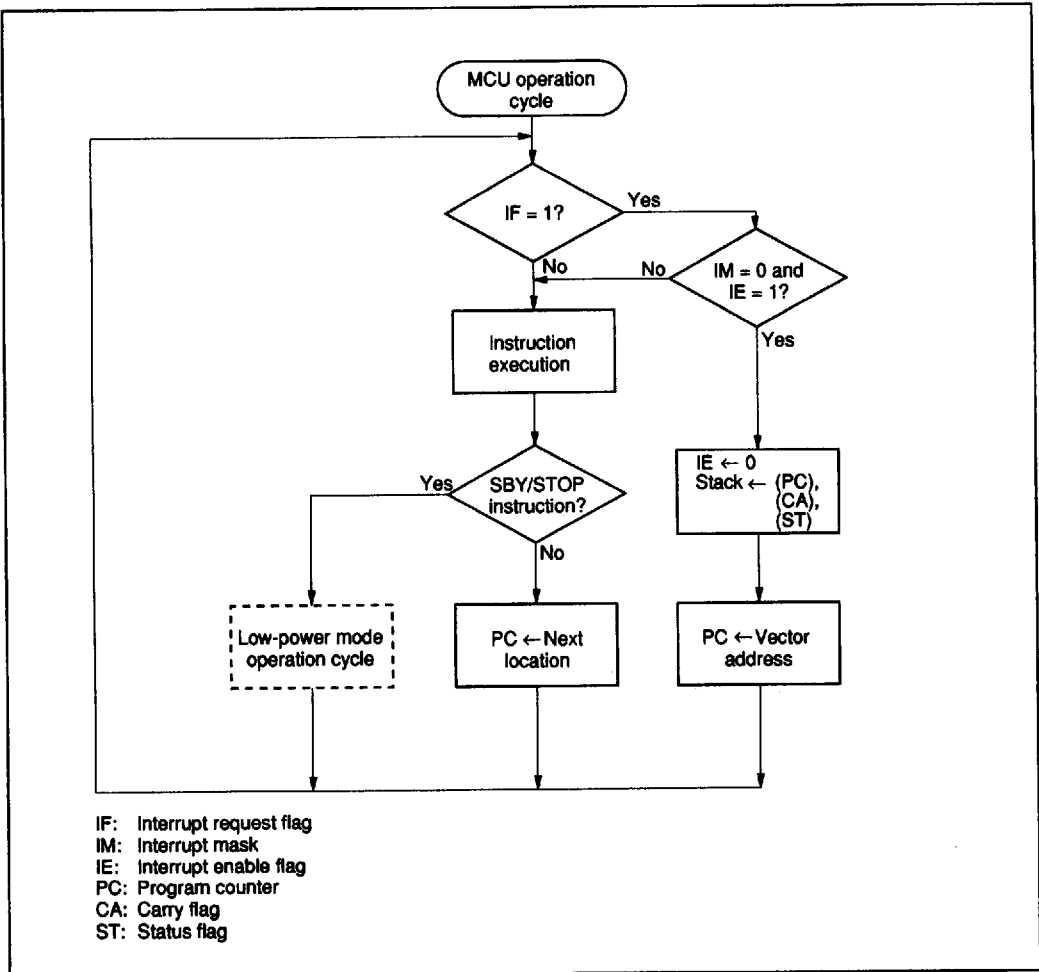
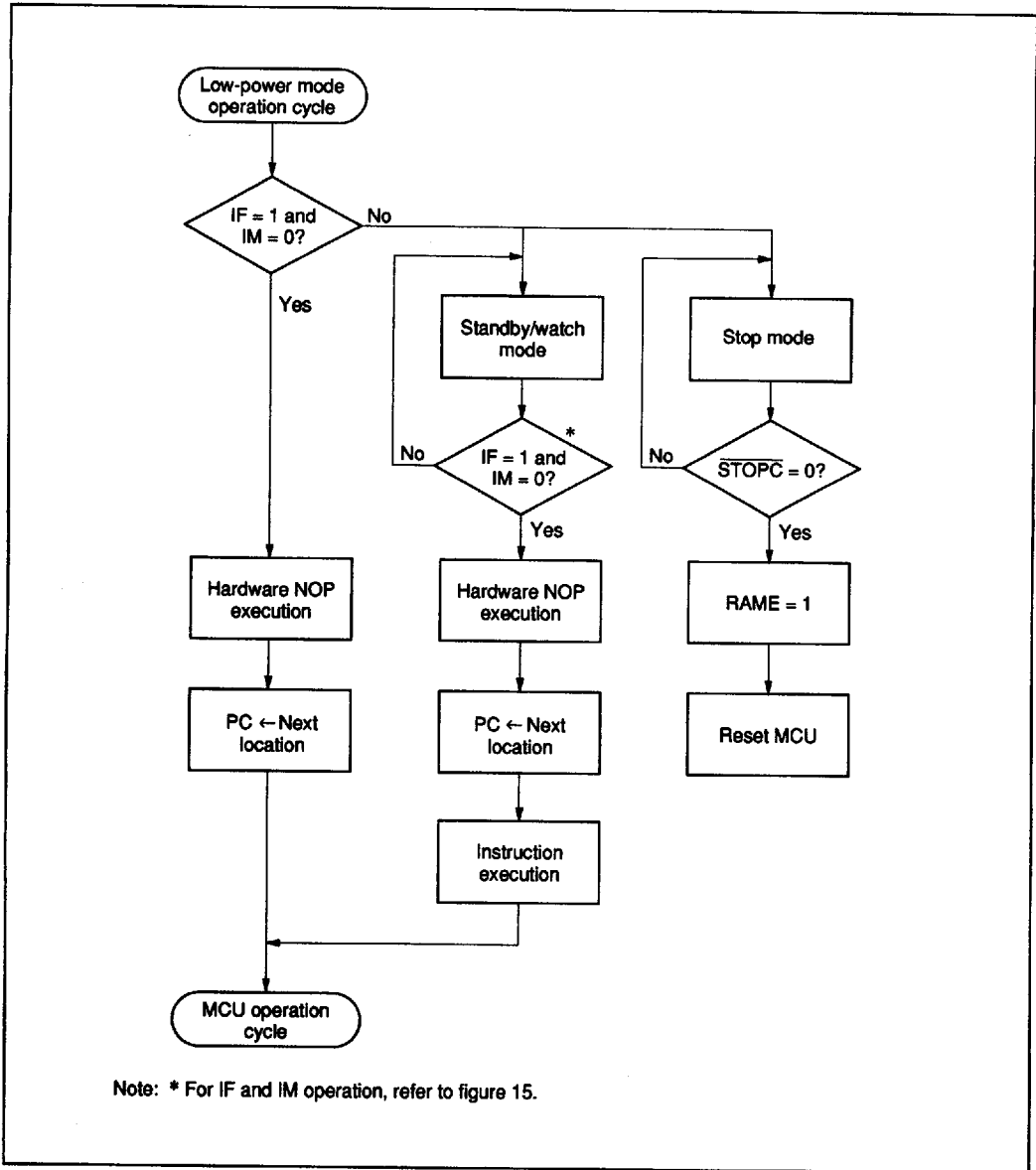


Figure 21 MCU Operating Sequence (MCU Operation Cycle)



Note: \* For IF and IM operation, refer to figure 15.

Figure 22 MCU Operating Sequence (Low-Power Mode Operation)



## HD404629 Series

Notes: 1. LCD display off in watch or subactive mode.

If the HD404629/HD4074629 is to be used with the LCD display off in watch mode or subactive mode, execute the following operations before the MCU enters watch mode (i.e., before the STOP instruction is executed).

First: LOAD \$0 to LCR  
Second: LOAD \$3 to LMR

When the MCU enters active mode again from watch or subactive mode, execute the following operations.

First: LOAD appropriate value to LMR for active mode  
Second: LOAD appropriate value to LCR for active mode

These operations are shown in figure 23.

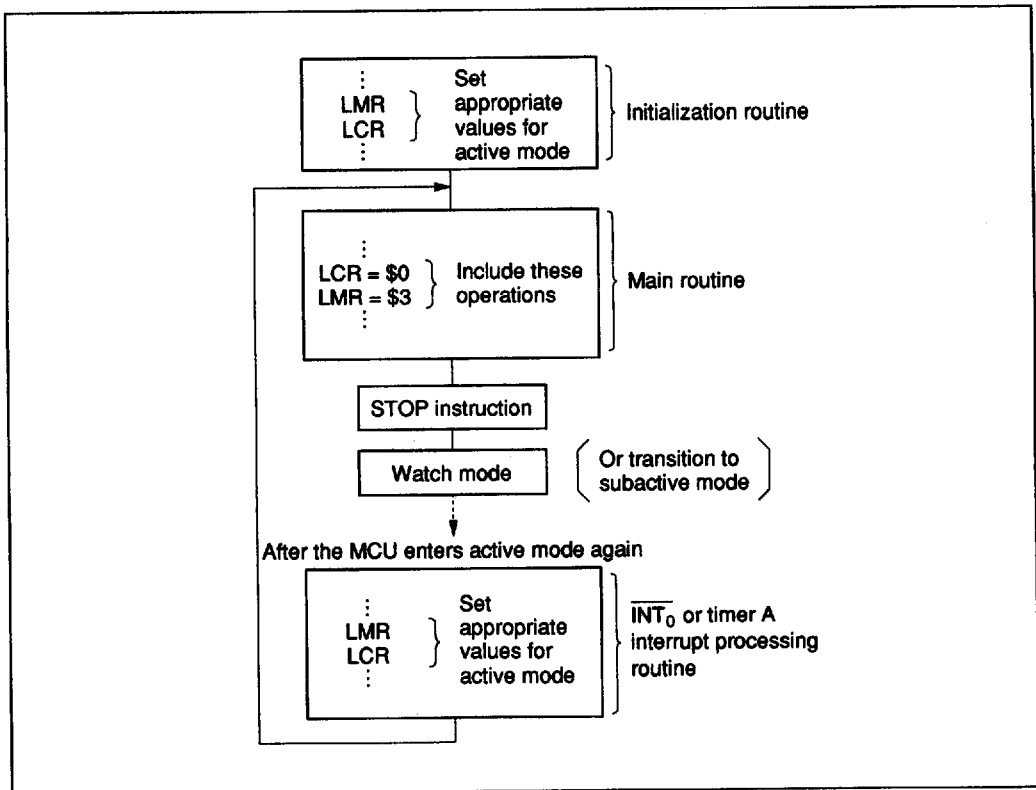


Figure 23 Programming Flowchart (LCD Display Off in Watch or Subactive Mode)

Notes: 2. When the MCU is in watch mode or subactive mode, if the high level period before the falling edge of  $\overline{INT}_0$  is shorter than the interrupt frame,  $\overline{INT}_0$  is not detected. Also, if the low level period after the falling edge of  $\overline{INT}_0$  is shorter than the interrupt frame,  $\overline{INT}_0$  is not detected.

Edge detection is shown in figure 24. The level of the  $\overline{INT}_0$  signal is sampled by a sampling clock. When this sampled value changes to low from high, a falling edge is detected.

In figure 25, the level of the  $\overline{INT}_0$  signal is sampled by an interrupt frame. In (a) the sampled value is low at point A, and also low at point B. Therefore, a falling edge is not detected. In (b), the sampled value is high at point A, and also high at point B. A falling edge is not detected in this case either.

When the MCU is in watch mode or subactive mode, keep the high level and low level period of  $\overline{INT}_0$  longer than interrupt frame.

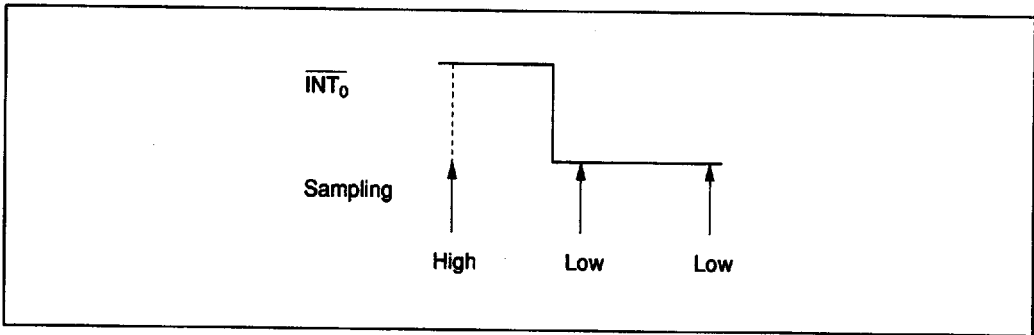


Figure 24 Edge Detection

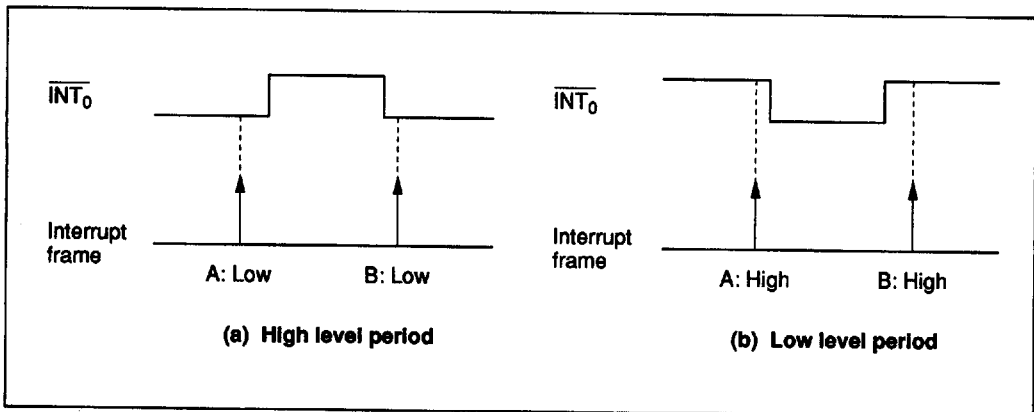


Figure 25 Sampling Example

# HD404629 Series

## Internal Oscillator Circuit

A block diagram of the clock generation circuit is shown in figure 26. As shown in table 22, a ceramic oscillator can be connected to OSC<sub>1</sub> and OSC<sub>2</sub>, and a 32.768-kHz oscillator can be connected to X1 and X2. The system oscillator can also be operated by an external clock. Bit 1 (SSR1) of the system clock select register (SSR: \$029) must be set according to the frequency of the

oscillator connected to OSC<sub>1</sub> and OSC<sub>2</sub> (figure 27).

Note: If the system clock select register (SSR: \$029) setting does not match the oscillator frequency, DTMF generator and subsystems using the 32.768-kHz oscillation will malfunction.

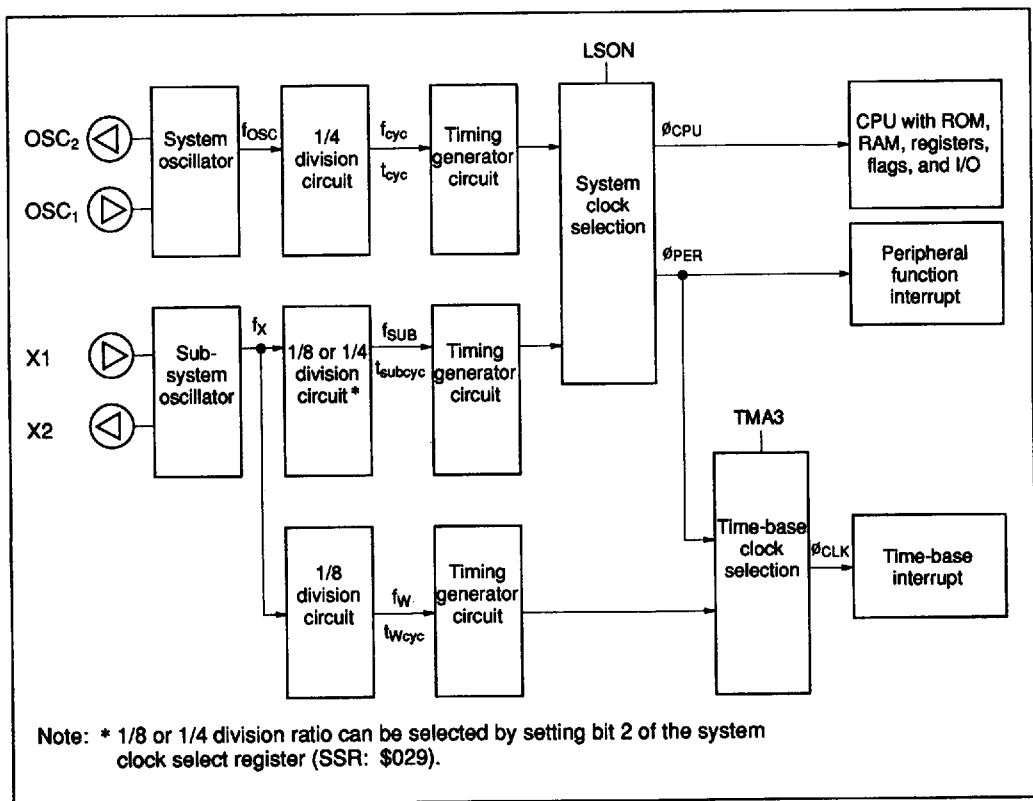


Figure 26 Clock Generation Circuit

**System clock select register (SSR: \$029)**

Bit	3	2	1	0
Initial value	0	0	0	0
Read/Write	W	W	W	W
Bit name	SSR3	SSR2	SSR1	SSR0

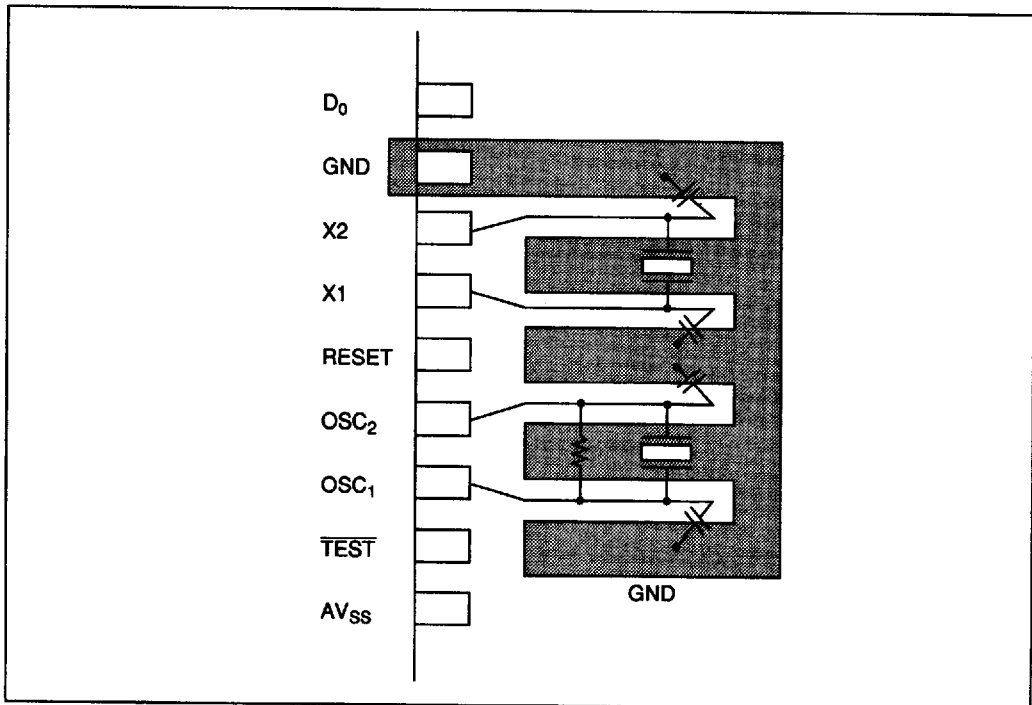
SSR3	32-kHz oscillation stop
0	Oscillation operates in stop mode
1	Oscillation stops in stop mode

SSR2	32-kHz oscillation division ratio selection
0	$f_{SUB} = f_x/8$
1	$f_{SUB} = f_x/4$

SSR1	SSR0	System clock selection
0	0	400 kHz
0	1	800 kHz
1	0	2 MHz
1	1	4 MHz

Note: SSR3 is cleared only by a RESET input. SSR3 will not be cleared by a  $\overline{STOPC}$  input during stop mode, and will retain its value. SSR3 will also not be cleared upon entering stop mode.

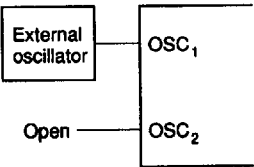
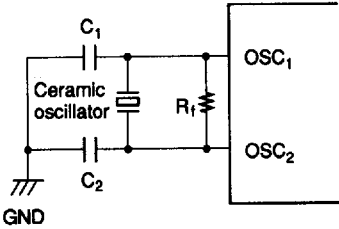
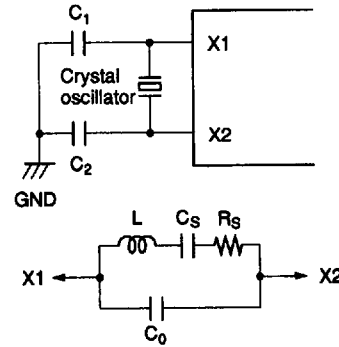
**Figure 27 System Clock Select Register (SSR)**



**Figure 28 Typical Layouts of Crystal and Ceramic Oscillator**

# HD404629 Series

**Table 22 Oscillator Circuit Examples**

Circuit Configuration	Circuit Constants
<p>External clock operation</p> 	
<p>Ceramic oscillator (OSC<sub>1</sub>, OSC<sub>2</sub>)</p> 	<p>Ceramic oscillator: CSB400P22 (Murata)          CSB400P (Murata)  <math>R_f = 1\text{ M}\Omega \pm 20\%</math>  <math>C_1 = C_2 = 220\text{ pF} \pm 5\%</math></p> <hr/> <p>Ceramic oscillator: CSB800J122 (Murata), CSB800J (Murata)  <math>R_f = 1\text{ M}\Omega \pm 20\%</math>  <math>C_1 = C_2 = 220\text{ pF} \pm 5\%</math></p> <hr/> <p>Ceramic oscillator: CSA2.00MG (Murata)  <math>R_f = 1\text{ M}\Omega \pm 20\%</math>  <math>C_1 = C_2 = 30\text{ pF} \pm 20\%</math></p> <hr/> <p>Ceramic oscillator: CSA4.00MG (Murata)  <math>R_f = 1\text{ M}\Omega \pm 20\%</math>  <math>C_1 = C_2 = 30\text{ pF} \pm 20\%</math></p>
<p>Crystal oscillator (X1, X2)</p> 	<p>Crystal oscillator: 32.768 kHz: MX38T (Nippon Denpa)  <math>C_1 = C_2 = 20\text{ pF} \pm 20\%</math>  <math>R_S = 14\text{ k}\Omega</math>  <math>C_0 = 1.5\text{ pF}</math></p>

- Notes:
1. Circuit constants differ by the different types of crystal oscillators, ceramic oscillators, and with the stray capacitance of the board, so consult the manufacturer of the oscillator to determine the circuit parameters.
  2. The wiring between the OSC<sub>1</sub>, OSC<sub>2</sub> (X1 and X2 pins), and the other elements should be as short as possible, and must not cross other wiring. Refer to figure 28.
  3. If not using a 32.768-kHz crystal oscillator, fix the X1 pin to V<sub>CC</sub> and leave the X2 pin open.

**Input/Output**

The MCU has 42 input/output pins (D<sub>0</sub>–D<sub>9</sub>, R<sub>0</sub>–R<sub>7</sub>) and 2 input pins (D<sub>10</sub>, D<sub>11</sub>). The features are described below.

- Ten pins (D<sub>0</sub>–D<sub>9</sub>) are high-current input/output pins.
- The D<sub>10</sub> and D<sub>11</sub>, and R<sub>0</sub>–R<sub>7</sub> input/output pins are multiplexed with peripheral function pins such as for the timers or serial interface. For these pins, the peripheral function setting is done prior to the D or R port setting. Therefore, when a peripheral function is selected for a pin, the pin function and input/output selection are automatically switched according to the setting.
- Input or output selection for input/output pins

and port or peripheral function selection for multiplexed pins are set by software.

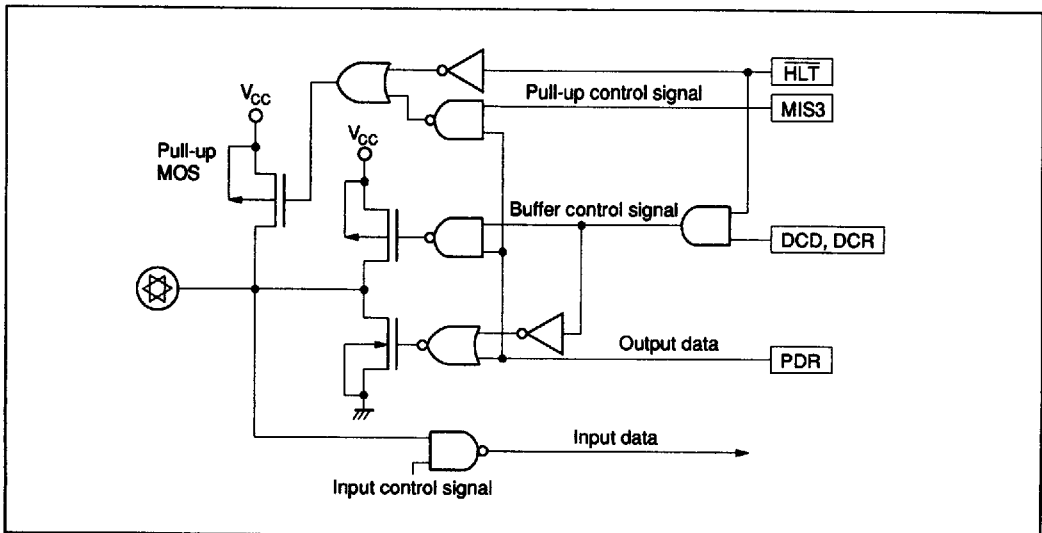
- Peripheral function output pins are CMOS output pins. Only the R<sub>23</sub>/SO pin can be set to NMOS open-drain output by software.
- In stop mode, the MCU is reset, and therefore peripheral function selection is cancelled. Input/output pins are in high-impedance state.
- Each input/output pin has a built-in pull-up MOS, which can be individually turned on or off by software.

I/O buffer configuration is shown in figure 29, programmable I/O circuits are listed in table 23, and I/O pin circuit types are shown in table 24.

**Table 23 Programmable I/O Circuits**

MIS3 (bit 3 of MIS)	0				1			
DCD, DCR	0		1		0		1	
PDR	0	1	0	1	0	1	0	1
CMOS buffer	PMOS	—	—	On	—	—	—	On
	NMOS	—	On	—	—	—	On	—
Pull-up MOS	—	—	—	—	On	—	—	On

Note: — indicates off status.



**Figure 29 I/O Buffer Configuration**

# HD404629 Series

Table 24 Circuit Configurations of I/O Pins

I/O Pin Type	Circuit	Pins
Input/output pins		<p>D<sub>0</sub>-D<sub>9</sub>  R<sub>0</sub>-R<sub>03</sub>  R<sub>1</sub><sub>0</sub>-R<sub>1</sub><sub>3</sub>  R<sub>2</sub><sub>0</sub>-R<sub>2</sub><sub>2</sub>  R<sub>3</sub><sub>0</sub>-R<sub>3</sub><sub>3</sub>  R<sub>4</sub><sub>0</sub>-R<sub>4</sub><sub>3</sub>  R<sub>5</sub><sub>0</sub>-R<sub>5</sub><sub>3</sub>  R<sub>6</sub><sub>0</sub>-R<sub>6</sub><sub>3</sub>  R<sub>7</sub><sub>0</sub>-R<sub>7</sub><sub>3</sub></p>
Input pins		<p>R<sub>2</sub><sub>3</sub>  D<sub>10</sub>, D<sub>11</sub></p>

Table 24 Circuit Configurations of I/O Pins (cont)

I/O Pin Type	Circuit	Pins
Peripheral function pins Input/output pins		SCK
Output pins		SO
		TOB, TOC, TOD
Input pins		SI, $\overline{\text{INT}}_1$ , INT <sub>2</sub> , INT <sub>3</sub> , INT <sub>4</sub> , EVNB, EVND
		$\overline{\text{INT}}_0$ , STOPC

- Notes: 1. The MCU is reset in stop mode, and peripheral function selection is cancelled. The  $\overline{\text{HLT}}$  signal becomes low, and input/output pins enter high-impedance state.  
 2. The  $\overline{\text{HLT}}$  signal is 1 in watch and subactive modes.



## HD404629 Series

**D Port (D<sub>0</sub>–D<sub>11</sub>):** Consist of 10 input/output pins and 2 input pins addressed by one bit. D<sub>0</sub>–D<sub>9</sub> are high-current I/O pins, and D<sub>10</sub> and D<sub>11</sub> are input-only pins.

Pins D<sub>0</sub>–D<sub>9</sub> are set by the SED and SEDD instructions, and reset by the RED and REDD instructions. Output data is stored in the port data register (PDR) for each pin. All pins D<sub>0</sub>–D<sub>11</sub> are tested by the TD and TDD instructions.

The on/off statuses of the output buffers are controlled by D-port data control registers (DCD0–DCD2: \$02C–\$02E) that are mapped to memory addresses (figure 30).

Pins D<sub>10</sub> and D<sub>11</sub> are multiplexed with peripheral function pins  $\overline{\text{STOPC}}$  and  $\overline{\text{INT}}_0$ , respectively. The peripheral function modes of these pins are selected by bits 2 and 3 (PMRC2, PMRC3) of port mode register C (PMRC: \$025) (figure 31).

**R Ports (R<sub>0</sub>–R<sub>7</sub>):** 32 input/output pins addressed in 4-bit units. Data is input to these ports by the LAR and LBR instructions, and output from them by the LRA and LRB instructions. Output data is stored in the port data register (PDR) for each pin. The on/off statuses of the output buffers of the R ports are controlled by R-port data control registers (DCR0–DCR7: \$030–\$037) that are mapped to memory addresses (figure 30).

Pins R<sub>0</sub>–R<sub>3</sub> are multiplexed with peripheral pins  $\overline{\text{INT}}_1$ – $\overline{\text{INT}}_4$ , respectively. The peripheral function modes of these pins are selected by bits 0–3 (PMRB0–PMRB3) of port mode register B (PMRB: \$024) (figure 32).

Pins R<sub>10</sub>–R<sub>12</sub> are multiplexed with peripheral pins TOB, TOC, and TOD, respectively. The peripheral function modes of these pins are selected by bits 0 and 1 (TMB20, TMB21) of timer mode register B2 (TMB2: \$013), bits 0–2 (TMC20–TMC22) of timer mode register C2 (TMC2: \$014), and bits 0–3 (TMD20–TMD23) of timer mode register D2 (TMD2: \$015) (figures 33, 34, and 35).

Pins R<sub>13</sub> and R<sub>20</sub> are multiplexed with peripheral

pins  $\overline{\text{EVNB}}$  and EVND, respectively. The peripheral function modes of these pins are selected by bits 0 and 1 (PMRC0, PMRC1) of port mode register C (PMRC: \$025) (figure 31).

Pins R<sub>21</sub>–R<sub>23</sub> are multiplexed with peripheral pins SCK, SI, and SO, respectively. The peripheral function modes of these pins are selected by bit 3 (SMRA3) of serial mode register A (SMRA: \$005), and bits 0 and 1 (PMRA0, PMRA1) of port mode register A (PMRA: \$004), as shown in figures 36 and 37.

Ports R3 and R4 are multiplexed with segment pins SEG1–SEG8, respectively. The function modes of these pins can be selected by individual pins, by setting LCD output registers 1 and 2 (LOR1, LOR2: \$01D, \$01F) (figures 38 and 39).

Ports R5–R7 are multiplexed with segment pins SEG9–SEG20, respectively. The function modes of these pins can be selected in 4-pin units by setting LCD output register 3 (LOR3: \$01F) (figure 40).

**Pull-Up MOS Transistor Control:** A program-controlled pull-up MOS transistor is provided for each input/output pin other than input-only pins D<sub>10</sub> and D<sub>11</sub>. The on/off status of all these transistors is controlled by bit 3 (MIS3) of the miscellaneous register (MIS: \$00C), and the on/off status of an individual transistor can also be controlled by the port data register (PDR) of the corresponding pin—enabling on/off control of that pin alone (table 23 and figure 41).

The on/off status of each transistor and the peripheral function mode of each pin can be set independently.

**How to Deal with Unused I/O Pins:** I/O pins that are not needed by the user system (floating) must be connected to V<sub>CC</sub> to prevent LSI malfunctions due to noise. These pins must either be pulled up to V<sub>CC</sub> by their pull-up MOS transistors or by resistors of about 100 k $\Omega$ .

**Data control register (DCD0 to 2: \$02C to \$02E)  
(DCR0 to 7: \$030 to \$037)**

**DCD0, DCD1**

Bit	3	2	1	0
Initial value	0	0	0	0
Read/Write	W	W	W	W
Bit name	DCD03, DCD13	DCD02, DCD12	DCD01, DCD11	DCD00, DCD10

**DCD2**

Bit	3	2	1	0
Initial value	—	—	0	0
Read/Write	—	—	W	W
Bit name	Not used	Not used	DCD21	DCD20

**DCR0 to DCR7**

Bit	3	2	1	0
Initial value	0	0	0	0
Read/Write	W	W	W	W
Bit name	DCR03– DCR73	DCR02– DCR72	DCR01– DCR71	DCR00– DCR70

All Bits	CMOS Buffer On/Off Selection
0	Off (high-impedance)
1	On

Correspondence between ports and DCD/DCR bits

Register Name	Bit 3	Bit 2	Bit 1	Bit 0
DCD0	D <sub>3</sub>	D <sub>2</sub>	D <sub>1</sub>	D <sub>0</sub>
DCD1	D <sub>7</sub>	D <sub>6</sub>	D <sub>5</sub>	D <sub>4</sub>
DCD2	—	—	D <sub>9</sub>	D <sub>8</sub>
DCR0	R0 <sub>3</sub>	R0 <sub>2</sub>	R0 <sub>1</sub>	R0 <sub>0</sub>
DCR1	R1 <sub>3</sub>	R1 <sub>2</sub>	R1 <sub>1</sub>	R1 <sub>0</sub>
DCR2	R2 <sub>3</sub>	R2 <sub>2</sub>	R2 <sub>1</sub>	R2 <sub>0</sub>
DCR3	R3 <sub>3</sub>	R3 <sub>2</sub>	R3 <sub>1</sub>	R3 <sub>0</sub>
DCR4	R4 <sub>3</sub>	R4 <sub>2</sub>	R4 <sub>1</sub>	R4 <sub>0</sub>
DCR5	R5 <sub>3</sub>	R5 <sub>2</sub>	R5 <sub>1</sub>	R5 <sub>0</sub>
DCR6	R6 <sub>3</sub>	R6 <sub>2</sub>	R6 <sub>1</sub>	R6 <sub>0</sub>
DCR7	R7 <sub>3</sub>	R7 <sub>2</sub>	R7 <sub>1</sub>	R7 <sub>0</sub>

Figure 30 Data Control Registers (DCD, DCR)

## Port mode register C (PMRC: \$025)

Bit	3	2	1	0
Initial value	0	0	0	0
Read/Write	W	W	W	W
Bit name	PMRC3	PMRC2*	PMRC1	PMRC0

<b>PMRC3</b>	D <sub>11</sub> / $\overline{\text{INT}}_0$ mode selection	<b>PMRC0</b>	R <sub>13</sub> / $\overline{\text{EVNB}}$ mode selection
0	D <sub>11</sub>	0	R <sub>13</sub>
1	$\overline{\text{INT}}_0$	1	$\overline{\text{EVNB}}$
<b>PMRC2</b>	D <sub>10</sub> / $\overline{\text{STOPC}}$ mode selection	<b>PMRC1</b>	R <sub>20</sub> / $\overline{\text{EVND}}$ mode selection
0	D <sub>10</sub>	0	R <sub>20</sub>
1	$\overline{\text{STOPC}}$	1	$\overline{\text{EVND}}$

Note: \* PMRC2 is reset to 0 only by RESET input. When  $\overline{\text{STOPC}}$  is input in stop mode, PMRC2 is not reset but retains its value.

Figure 31 Port Mode Register C (PMRC)

## Port mode register B (PMRB: \$024)

Bit	3	2	1	0
Initial value	0	0	0	0
Read/Write	W	W	W	W
Bit name	PMRB3	PMRB2	PMRB1	PMRB0

<b>PMRB3</b>	R <sub>03</sub> / $\overline{\text{INT}}_4$ mode selection	<b>PMRB0</b>	R <sub>00</sub> / $\overline{\text{INT}}_1$ mode selection
0	R <sub>03</sub>	0	R <sub>00</sub>
1	$\overline{\text{INT}}_4$	1	$\overline{\text{INT}}_1$
<b>PMRB2</b>	R <sub>02</sub> / $\overline{\text{INT}}_3$ mode selection	<b>PMRB1</b>	R <sub>01</sub> / $\overline{\text{INT}}_2$ mode selection
0	R <sub>02</sub>	0	R <sub>01</sub>
1	$\overline{\text{INT}}_3$	1	$\overline{\text{INT}}_2$

Figure 32 Port Mode Register B (PMRB)

**Timer mode register B2 (TMB2: \$013)**

Bit	3	2	1	0
Initial value	—	—	0	0
Read/Write	—	—	R/W	R/W
Bit name	Not used	Not used	TMB21	TMB20

TMB21	TMB20	R1 <sub>0</sub> /TOB mode selection	
0	0	R1 <sub>0</sub>	R1 <sub>0</sub> port
	1	TOB	Toggle output
1	0	TOB	0 output
	1	TOB	1 output

**Figure 33 Timer Mode Register B2 (TMB2)**

**Timer mode register C2 (TMC2: \$014)**

Bit	3	2	1	0
Initial value	—	0	0	0
Read/Write	—	R/W	R/W	R/W
Bit name	Not used	TMC22	TMC21	TMC20

TMC22	TMC21	TMC20	R1 <sub>1</sub> /TOC mode selection	
0	0	0	R1 <sub>1</sub>	R1 <sub>1</sub> port
		1	TOC	Toggle output
	1	0	TOC	0 output
		1	TOC	1 output
1	0	0	—	Inhibited
		1		
	1	0	TOC	PWM output
		1		

**Figure 34 Timer Mode Register C2 (TMC2)**

## Timer mode register D2 (TMD2: \$015)

Bit	3	2	1	0
Initial value	0	0	0	0
Read/Write	R/W	R/W	R/W	R/W
Bit name	TMD23	TMD22	TMD21	TMD20

TMD23	TMD22	TMD21	TMD20	R <sub>12</sub> /TOD mode selection	
0	0	0	0	R <sub>12</sub>	R <sub>12</sub> port
			1	TOD	Toggle output
		1	0	TOD	0 output
			1	TOD	1 output
	1	0	0	—	Inhibited
			1	—	
		1	0	—	PWM output
			1	TOD	
1	X	X	X	R <sub>12</sub>	Input capture (R <sub>12</sub> port)

X : Don't care

Figure 35 Timer Mode Register D2 (TMD2)

## Serial mode register A (SMRA: \$005)

Bit	3	2	1	0
Initial value	0	0	0	0
Read/Write	W	W	W	W
Bit name	SMRA3	SMRA2	SMRA1	SMRA0

SMRA3	R <sub>21</sub> /SCK mode selection	SMRA2	SMRA1	SMRA0	SCK	Clock source	Prescaler division ratio
0	R <sub>21</sub>	0	0	0	Output	Prescaler	+2048
				1	Output	Prescaler	+512
1	0		Output	Prescaler	+128		
	1		Output	Prescaler	+32		
1	SCK	0	0	0	Output	Prescaler	+8
				1	Output	Prescaler	+2
		1	0	0	Output	System clock	—
				1	Input	External clock	—

Figure 36 Serial Mode Register A (SMRA)

**Port mode register A (PMRA: \$004)**

Bit	3	2	1	0
Initial value	—	—	0	0
Read/Write	—	—	W	W
Bit name	Not used	Not used	PMRA1	PMRA0

PMRA1	R2 <sub>2</sub> /SI mode selection	PMRA0	R2 <sub>3</sub> /SO mode selection
0	R2 <sub>2</sub>	0	R2 <sub>3</sub>
1	SI	1	SO

**Figure 37 Port Mode Register A (PMRA)**

**LCD output register 1 (LOR1: \$01D)**

Bit	3	2	1	0
Initial value	0	0	0	0
Read/Write	W	W	W	W
Bit name	LOR13	LOR12	LOR11	LOR10

LOR13	R3 <sub>3</sub> /SEG4 mode selection	LOR11	R3 <sub>1</sub> /SEG2 mode selection
0	R3 <sub>3</sub>	0	R3 <sub>1</sub>
1	SEG4	1	SEG2
LOR12	R3 <sub>2</sub> /SEG3 mode selection	LOR10	R3 <sub>0</sub> /SEG1 mode selection
0	R3 <sub>2</sub>	0	R3 <sub>0</sub>
1	SEG3	1	SEG1

**Figure 38 LCD Output Register 1 (LOR1)**

# HD404629 Series

## LCD output register 2 (LOR2: \$01E)

Bit	3	2	1	0
Initial value	0	0	0	0
Read/Write	W	W	W	W
Bit name	LOR23	LOR22	LOR21	LOR20

LOR23	R4 <sub>3</sub> /SEG8 mode selection
0	R4 <sub>3</sub>
1	SEG8

LOR21	R4 <sub>1</sub> /SEG5 mode selection
0	R4 <sub>1</sub>
1	SEG5

LOR22	R4 <sub>2</sub> /SEG7 mode selection
0	R4 <sub>2</sub>
1	SEG7

LOR20	R4 <sub>0</sub> /SEG6 mode selection
0	R4 <sub>0</sub>
1	SEG6

Figure 39 LCD Output Register 2 (LOR2)

## LCD output register 3 (LOR3: \$01F)

Bit	3	2	1	0
Initial value	—	0	0	0
Read/Write	—	W	W	W
Bit name	Not used	LOR32	LOR31	LOR30

LOR32	R7/SEG17–SEG20 mode selection
0	R7
1	SEG17–SEG20

LOR31	R6/SEG13–SEG16 mode selection
0	R6
1	SEG13–SEG16

LOR30	R5/SEG9–SEG12 mode selection
0	R5
1	SEG9–SEG12

Figure 40 LCD Output Register 3 (LOR3)

**Miscellaneous register (MIS: \$00C)**

Bit	3	2	1	0
Initial value	0	0	0	0
Read/Write	W	W	W	W
Bit name	MIS3	MIS2	MIS1	MIS0

MIS3	Pull-up MOS on/off selection
0	Off
1	On

MIS2	CMOS buffer on/off selection for pin R2 <sub>3</sub> /SO
0	On
1	Off

MIS1	MIS0
t <sub>PC</sub> selection. Refer to figure 18 in the operation modes section.	

**Figure 41 Miscellaneous Register (MIS)**



## Prescalers

The MCU has the following two prescalers, S and W.

The prescalers operating conditions are listed in table 25, and the prescalers output supply is shown in figure 42. The timers A–D input clocks except external events, the serial transmit clock except the external clock, and the LCD circuit operating clock are selected from the prescaler outputs, depending on corresponding mode registers.

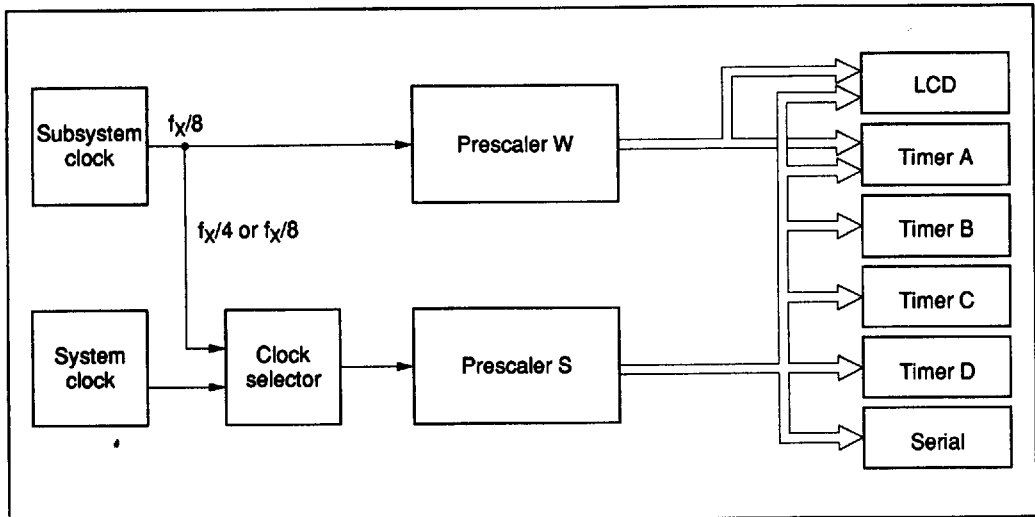
### Prescaler Operation

**Prescaler S:** 11-bit counter that inputs the system clock signal. After being reset to \$000 by MCU reset, prescaler S divides the system clock. Prescaler S keeps counting, except in watch and subactive modes and at MCU reset.

**Prescaler W:** Five-bit counter that inputs the X1 input clock signal (32-kHz crystal oscillation) divided by eight. After being reset to \$00 by MCU reset, prescaler W divides the input clock. Prescaler W can be reset by software.

**Table 25 Prescaler Operating Conditions**

Prescaler	Input Clock	Reset Conditions	Stop Conditions
Prescaler S	System clock (in active and standby mode), Subsystem clock (in subactive mode)	MCU reset	MCU reset, stop mode, watch mode
Prescaler W	32-kHz crystal oscillation	MCU reset, software	MCU reset, stop mode



**Figure 42 Prescaler Output Supply**

**Timers**

The MCU has four timer/counters (A to D).

- **Timer A:** Free-running timer
- **Timer B:** Multifunction timer
- **Timer C:** Multifunction timer
- **Timer D:** Multifunction timer

Timer A is an 8-bit free-running timer. Timers B–D are 8-bit multifunction timers, whose functions are listed in table 26. The operating modes are selected by software.

**Timer A**

**Timer A Functions:** Timer A has the following functions.

- Free-running timer
- Clock time-base

The block diagram of timer A is shown in figure 43.

**Timer A Operations:**

- **Free-running timer operation:** The input clock for timer A is selected by timer mode register A (TMA: \$008).

Timer A is reset to \$00 by MCU reset and incremented at each input clock. If an input clock is applied to timer A after it has reached \$FF, an overflow is generated, and timer A is reset to \$00. The overflow sets the timer A interrupt request flag (IFTA: \$001, bit 2). Timer A continues to be incremented after reset to \$00, and therefore it generates regular interrupts every 256 clocks.

- **Clock time-base operation:** Timer A is used as a clock time-base by setting bit 3 (TMA3) of timer mode register A (TMA: \$008) to 1. The prescaler W output is applied to timer A, and timer A generates interrupts at the correct timing based on the 32.768-kHz crystal oscillation. In this case, prescaler W and timer A can be reset to \$00 by software.

**Registers for Timer A Operation:** Timer A operating modes are set by the following registers.

- **Timer mode register A (TMA: \$008):** Four-bit write-only register that selects timer A's operating mode and input clock source as shown in figure 44.

**Table 26 Timer Functions**

Functions		Timer A	Timer B	Timer C	Timer D
Clock source	Prescaler S	Available	Available	Available	Available
	Prescaler W	Available	—	—	—
	External event	—	Available	—	Available
Timer functions	Free-running	Available	Available	Available	Available
	Time-base	Available	—	—	—
	Event counter	—	Available	—	Available
	Reload	—	Available	Available	Available
	Watchdog	—	—	Available	—
	Input capture	—	—	—	Available
	Timer outputs	Toggle	—	Available	Available
0 output		—	Available	Available	Available
1 output		—	Available	Available	Available
PWM		—	—	Available	Available

Note: — implies not available.

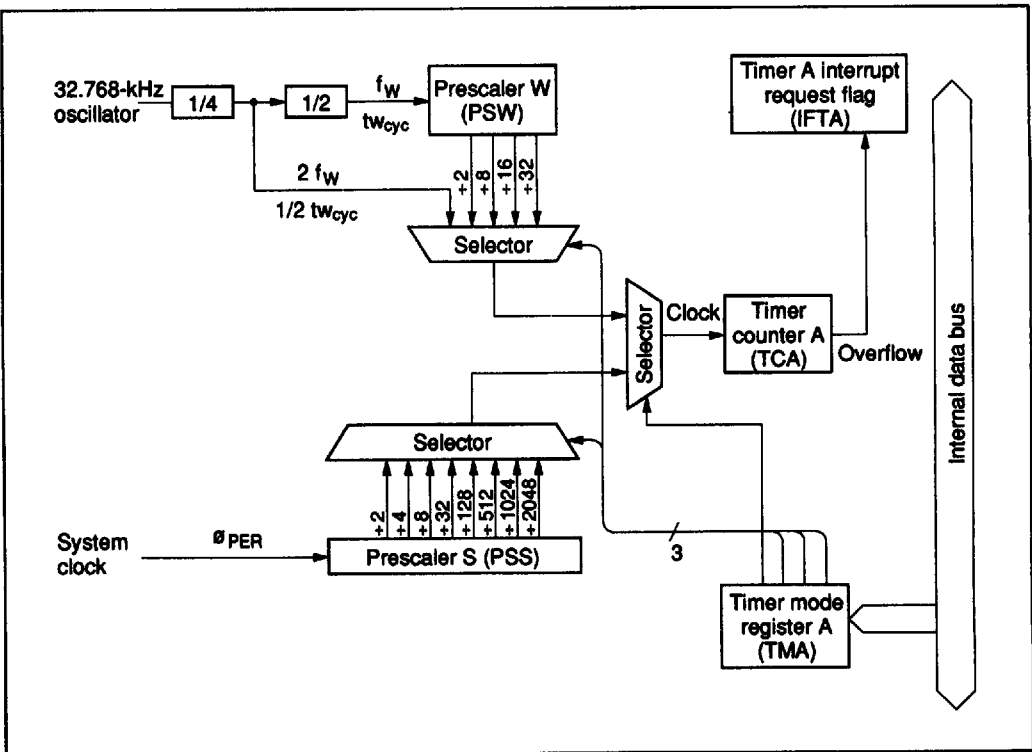


Figure 43 Block Diagram of Timer A

**Timer mode register A (TMA: \$008)**

Bit	3	2	1	0
Initial value	0	0	0	0
Read/Write	W	W	W	W
Bit name	TMA3	TMA2	TMA1	TMA0

TMA3	TMA2	TMA1	TMA0	Source prescaler	Input clock frequency	Operating mode
0	0	0	0	PSS	$2048t_{cyc}$	Timer A mode
			1	PSS	$1024t_{cyc}$	
		1	0	PSS	$512t_{cyc}$	
			1	PSS	$128t_{cyc}$	
	1	0	0	PSS	$32t_{cyc}$	
			1	PSS	$8t_{cyc}$	
		1	0	PSS	$4t_{cyc}$	
			1	PSS	$2t_{cyc}$	
1	0	0	0	PSW	$32t_{Wcyc}$	Time-base mode
			1	PSW	$16t_{Wcyc}$	
		1	0	PSW	$8t_{Wcyc}$	
			1	PSW	$2t_{Wcyc}$	
	1	0	0	PSW	$1/2t_{Wcyc}$	
			1	Inhibited		
		1	X	PSW and TCA reset		

X : Don't care

- Note:
- $t_{Wcyc} = 244.14 \mu s$  (when a 32.768-kHz crystal oscillator is used)
  - Timer counter overflow output period (seconds) = input clock period (seconds)  $\times$  256.
  - If PSW of TCA reset is selected while the LCD is operating, LCD operation halts (power switch goes off and all SEG and COM pins are grounded).  
When an LCD is connected for display, the PSW and TCA reset periods must be set in the program to the minimum.
  - The division ratio must not be modified during time-base mode operation, otherwise an overflow cycle error will occur.

**Figure 44 Timer Mode Register A (TMA)**

### Timer B

**Timer B Functions:** Timer B has the following functions.

- Free-running/reload timer
- External event counter
- Timer output operation (toggle, 0, and 1 outputs)

The block diagram of timer B is shown in figure 45.

### Timer B Operations:

- **Free-running/reload timer operation:** The free-running/reload operation, input clock source, and prescaler division ratio are selected by timer mode register B1 (TMB1: \$009).

Timer B is initialized to the value set in timer write register B (TWBL: \$00A, TWBU: \$00B) by software and incremented by one at each clock input. If an input clock is applied to timer B after it has reached \$FF, an overflow is generated. In this case, if the reload timer function is enabled, timer B is initialized to its initial value set in timer write register B; if the free-running timer function is enabled, the timer is initialized to \$00 and then incremented again.

The overflow sets the timer B interrupt request flag (IFTB: \$002, bit 0). IFTB is reset by software or MCU reset. Refer to figure 3 and table 1 for details.

- **External event counter operation:** Timer B is used as an external event counter by selecting external event input as input clock source. In this case, pin R1<sub>3</sub>/EVNB must be set to EVNB by port mode register C (PMRC: \$025).

Timer B is incremented by one at each falling edge of signals input to pin EVNB. The other operation is basically the same as the free-running/reload timer operation.

- **Timer output operation:** The following three output modes can be selected for timer B by setting timer mode register B2 (TMB2: \$013).

Toggle  
0 output  
1 output

By selecting the timer output mode, pin R1<sub>0</sub>/TOB is set to TOB. The output from TOB is reset low by MCU reset.

— **Toggle output:** When toggle output mode is selected, the output level is inverted if a clock is input after timer B has reached \$FF. By using this function and reload timer function, clock signals can be output at a required frequency for the buzzer. The output waveform is shown in figure 46.

— **0 output:** When 0 output mode is selected, the output level is pulled low if a clock is input after timer B has reached \$FF. Note that this function must be used only when the output level is high.

— **1 output:** When 1 output mode is selected, the output level is set high if a clock is input after timer B has reached \$FF. Note that this function must be used only when the output level is low.

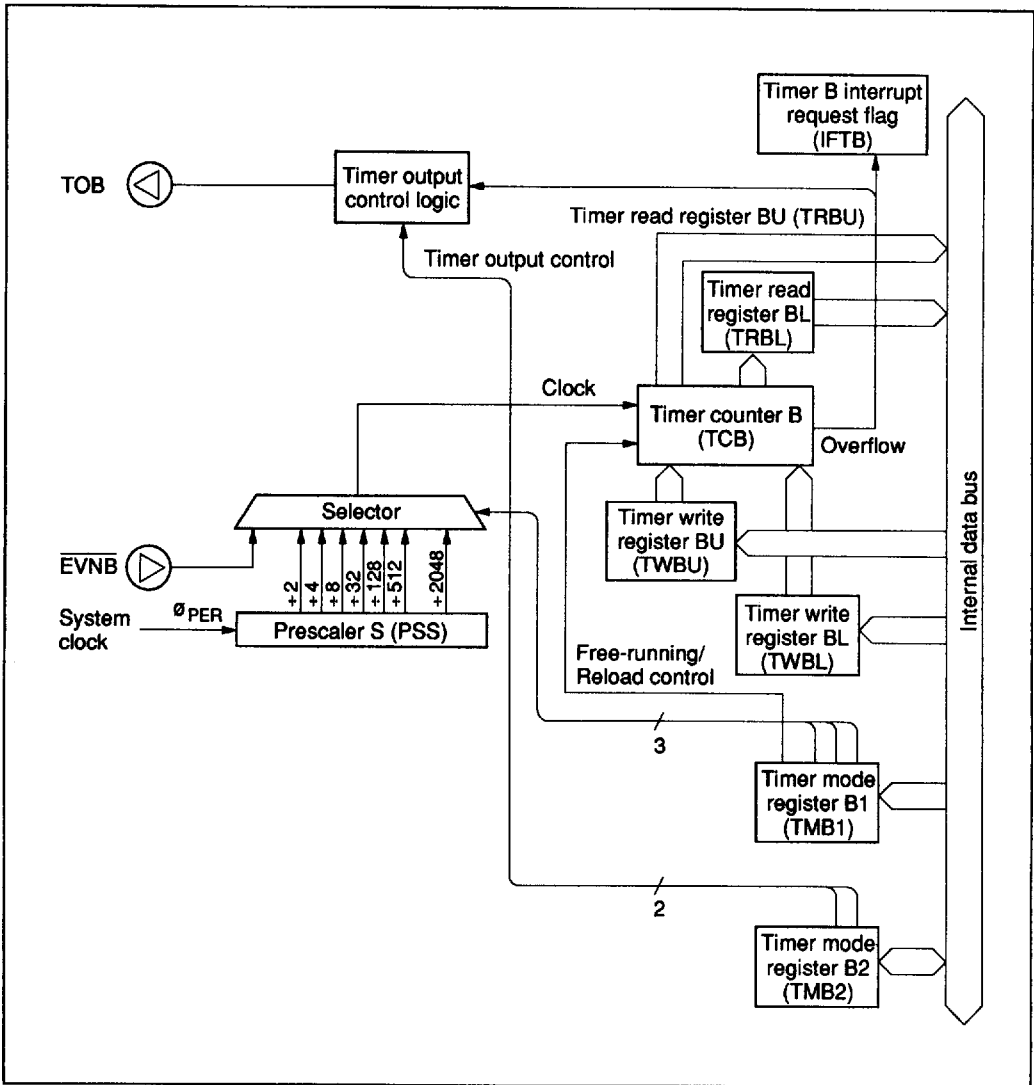


Figure 45 Block Diagram of Timer B

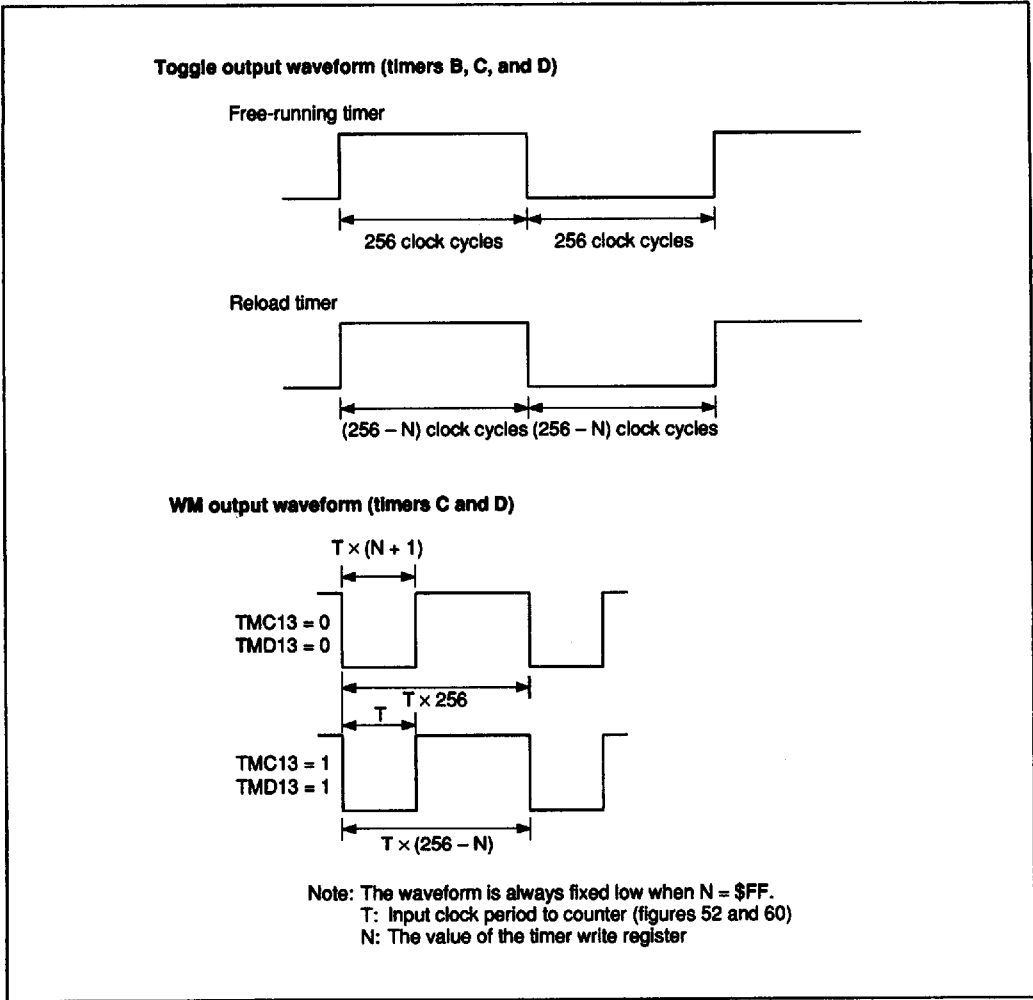


Figure 46 Timer Output Waveform

**Registers for Timer B Operation:** By using the following registers, timer B operation modes are selected and the timer B count is read and written.

- Timer mode register B1 (TMB1: \$009)
- Timer mode register B2 (TMB2: \$013)
- Timer write register B (TWBL: \$00A, TWBU: \$00B)
- Timer read register B (TRBL: \$00A, TRBU: \$00B)
- Port mode register C (PMRC: \$025)

- Timer mode register B1 (TMB1: \$009): Four-bit write-only register that selects the free-running/reload timer function, input clock source, and the prescaler division ratio as shown in figure 47. It is reset to \$0 by MCU reset.

Writing to this register is valid from the second instruction execution cycle after the execution of the previous timer mode register B1 write instruction. Setting timer B's initialization by writing to timer write register B (TWBL: \$00A, TWBU: \$00B) must be done after a mode change becomes valid.

**Timer mode register B1 (TMB1: \$009)**

Bit	3	2	1	0
Initial value	0	0	0	0
Read/Write	W	W	W	W
Bit name	TMB13	TMB12	TMB11	TMB10

TMB13	Free-running/reload timer selection	TMB12	TMB11	TMB10	Input clock period and input clock source
0	Free-running timer	0	0	0	2048 <sub>t<sub>cyc</sub></sub>
				1	512 <sub>t<sub>cyc</sub></sub>
1	Reload timer		1	0	128 <sub>t<sub>cyc</sub></sub>
				1	32 <sub>t<sub>cyc</sub></sub>
1		0	0	0	8 <sub>t<sub>cyc</sub></sub>
				1	4 <sub>t<sub>cyc</sub></sub>
		1	0	0	2 <sub>t<sub>cyc</sub></sub>
				1	R1 <sub>3</sub> /EVNB (external event input)

Figure 47 Timer Mode Register B1 (TMB1)

**Timer mode register B2 (TMB2: \$013)**

Bit	3	2	1	0
Initial value	—	—	0	0
Read/Write	—	—	R/W	R/W
Bit name	Not used	Not used	TMB21	TMB20

TMB21	TMB20	R1 <sub>0</sub> /TOB mode selection	
0	0	R1 <sub>0</sub>	R1 <sub>0</sub> port
	1	TOB	Toggle output
1	0	TOB	0 output
	1	TOB	1 output

Figure 48 Timer Mode Register B2 (TMB2)



# HD404629 Series

- **Timer mode register B2 (TMB2: \$013):** Two-bit read/write register that selects the timer B output mode as shown in figure 48. It is reset to \$0 by MCU reset.
- **Timer write register B (TWBL: \$00A, TWBU: \$00B):** Write-only register consisting of the lower digit (TWBL) and the upper digit (TWBU) as shown in figures 49 and 50. The lower digit is reset to \$0 by MCU reset, but the upper digit value is invalid.

Timer B is initialized by writing to timer write register B. In this case, the lower digit (TWBL) must be written to first, but writing only to the lower digit does not change the timer B value. Timer B is initialized to the value in timer write register B at the same time the upper digit (TWBU) is written to. When timer write register B is written to again and if the lower digit value

needs no change, writing only to the upper digit initializes timer B.

- **Timer read register B (TRBL: \$00A, TRBU: \$00B):** Read-only register consisting of the lower digit (TRBL) and the upper digit (TRBU) that holds the count of the timer B upper digit (figures 51 and 52).

The upper digit (TRBU) must be read first. At this time, the count of the timer B upper digit is obtained, and the count of the timer B lower digit is latched to the lower digit (TRBL). After this, by reading TRBL, the count of timer B when TRBU is read can be obtained.

- **Port mode register C (PMRC: \$025):** Write-only register that selects R1<sub>3</sub>/EVNB pin function as shown in figure 53. It is reset to \$0 by MCU reset.

**Timer write register B (lower digit) (TWBL: \$00A)**

Bit	3	2	1	0
Initial value	0	0	0	0
Read/Write	W	W	W	W
Bit name	TWBL3	TWBL2	TWBL1	TWBL0

**Figure 49 Timer Write Register B Lower Digit (TWBL)**

**Timer write register B (upper digit) (TWBU: \$00B)**

Bit	3	2	1	0
Initial value	Undefined	Undefined	Undefined	Undefined
Read/Write	W	W	W	W
Bit name	TWBU3	TWBU2	TWBU1	TWBU0

**Figure 50 Timer Write Register B Upper Digit (TWBU)**

**Timer read register B (lower digit) (TRBL: \$00A)**

Bit	3	2	1	0
Initial value	Undefined	Undefined	Undefined	Undefined
Read/Write	R	R	R	R
Bit name	TRBL3	TRBL2	TRBL1	TRBL0

**Figure 51 Timer Read Register B Lower Digit (TRBL)**

**Timer read register B (upper digit) (TRBU: \$00B)**

Bit	3	2	1	0
Initial value	Undefined	Undefined	Undefined	Undefined
Read/Write	R	R	R	R
Bit name	TRBU3	TRBU2	TRBU1	TRBU0

**Figure 52 Timer Read Register B Upper Digit (TRBU)**

**Port mode register C (PMRC: \$025)**

Bit	3	2	1	0
Initial value	0	0	0	0
Read/Write	W	W	W	W
Bit name	PMRC3	PMRC2	PMRC1	PMRC0

PMRC3	D <sub>11</sub> /INT <sub>0</sub> mode selection
0	D <sub>11</sub>
1	INT <sub>0</sub>

PMRC1	R <sub>20</sub> /EVND mode selection
0	R <sub>20</sub>
1	EVND

PMRC2	D <sub>10</sub> /STOPC mode selection
0	D <sub>10</sub>
1	STOPC

PMRC0	R <sub>13</sub> /EVNB mode selection
0	R <sub>13</sub>
1	EVNB

**Figure 53 Port Mode Register C (PMRC)**

## HD404629 Series

### Timer C

**Timer C Functions:** Timer C has the following functions.

- Free-running/reload timer
- Watchdog timer
- Timer output operation (toggle, 0, 1, and PWM outputs)

The block diagram of timer C is shown in figure 54.

#### Timer C Operations:

- Free-running/reload timer operation: The free-running/reload operation, input clock source, and prescaler division ratio are selected by timer mode register C1 (TMC1: \$00D).

Timer C is initialized to the value set in timer write register C (TWCL: \$00E, TWCU: \$00F) by software and incremented by one at each clock input. If an input clock is applied to timer C after it has reached \$FF, an overflow is generated. In this case, if the reload timer function is enabled, timer C is initialized to its initial value set in timer write register C; if the free-running timer function is enabled, the timer is initialized to \$00 and then incremented again.

The overflow sets the timer C interrupt request flag (IFTC: \$002, bit 2). IFTC is reset by software or MCU reset. Refer to figure 3 and table 1 for details.

- Watchdog timer operation: Timer C is used as a watchdog timer for detecting out-of-control pro-

gram routines by setting the watchdog on flag (WDON: \$020, bit 1) to 1. If a program routine runs out of control and an overflow is generated, the MCU is reset. Program run can be controlled by initializing timer C by software before it reaches \$FF.

- Timer output operation: The following four output modes can be selected for timer C by setting timer mode register C2 (TMC2: \$014).

Toggle  
0 output  
1 output  
PWM output

By selecting the timer output mode, pin R1<sub>1</sub>/TOC is set to TOC. The output from TOC is reset low by MCU reset.

— Toggle output: The operation is basically the same as that of timer-B's toggle output.

— 0 output: The operation is basically the same as that of timer-B's 0 output.

— 1 output: The operation is basically the same as that of timer-B's 1 output.

— PWM output: When PWM output mode is selected, timer C provides the variable-duty pulse output function. The output waveform differs depending on the contents of timer mode register C1 (TMC1: \$00D) and timer write register C (TWCL: \$00E, TWCU: \$00F). The output waveform is shown in figure 46.

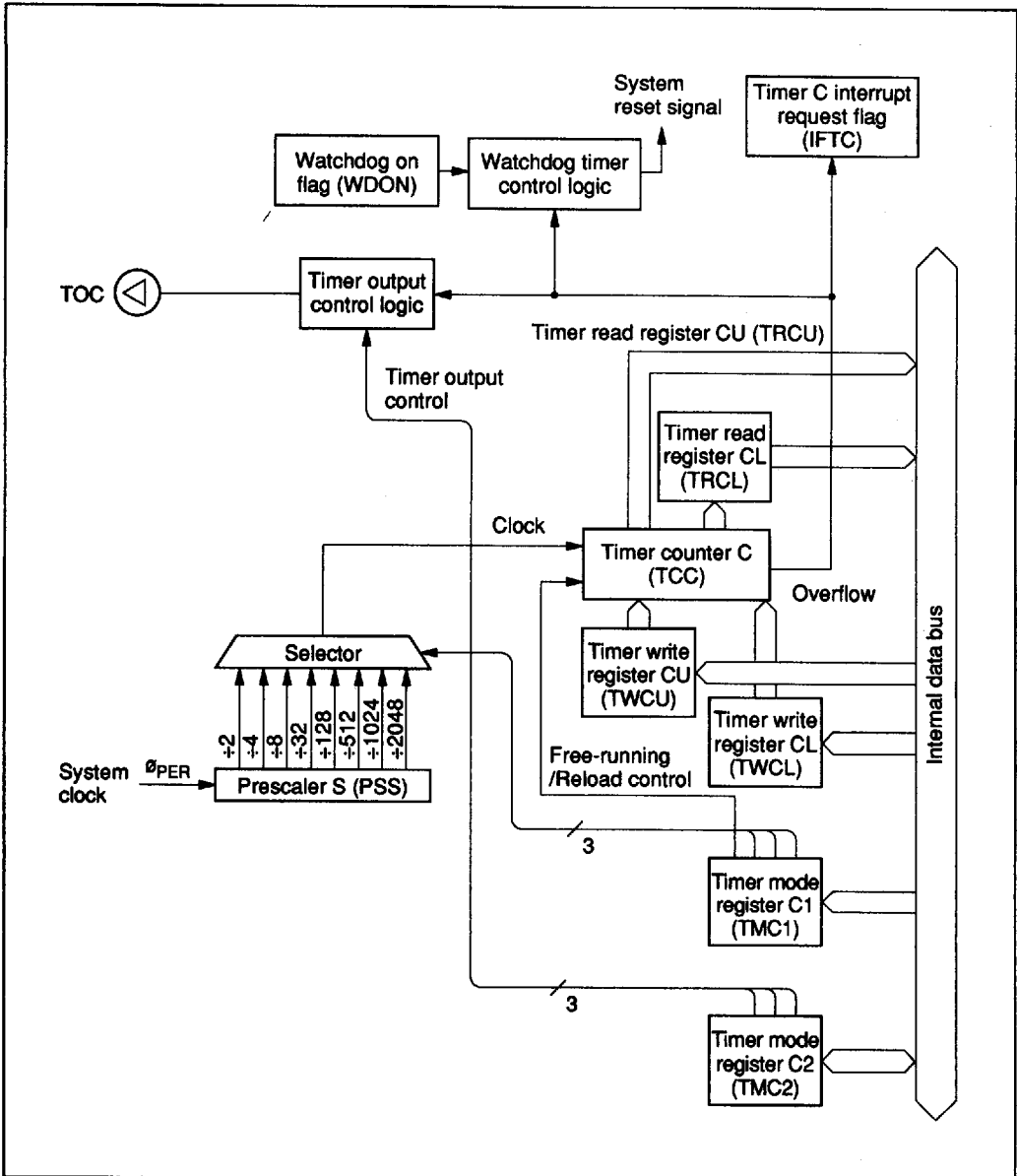


Figure 54 Block Diagram of Timer C

## HD404629 Series

**Registers for Timer C Operation:** By using the following registers, timer C operation modes are selected and the timer C count is read and written.

Timer mode register C1 (TMC1: \$00D)

Timer mode register C2 (TMC2: \$014)

Timer write register C (TWCL: \$00E, TWCU: \$00F)

Timer read register C (TRCL: \$00E, TRCU: \$00F)

- Timer mode register C1 (TMC1: \$00D): Four-bit write-only register that selects the free-running/reload timer function, input clock source, and the prescaler division ratio as shown in figure 55. It is reset to \$0 by MCU reset.

Writing to this register is valid from the second instruction execution cycle after the execution of the previous timer mode register C1 write instruction. Setting timer C's initialization by writing to timer write register C (TWCL: \$00E, TWCU: \$00F) must be done after a mode change becomes valid.

Timer mode register C1 (TMC1: \$00D)				
Bit	3	2	1	0
Initial value	0	0	0	0
Read/Write	W	W	W	W
Bit name	TMC13	TMC12	TMC11	TMC10

TMC13	Free-running/reload timer selection
0	Free-running timer
1	Reload timer

TMC12	TMC11	TMC10	Input clock period
0	0	0	2048 $t_{cyc}$
		1	1024 $t_{cyc}$
	1	0	512 $t_{cyc}$
		1	128 $t_{cyc}$
1	0	0	32 $t_{cyc}$
		1	8 $t_{cyc}$
	1	0	4 $t_{cyc}$
		1	2 $t_{cyc}$

Figure 55 Timer Mode Register C1 (TMC1)

- **Timer mode register C2 (TMC2: \$014):** Three-bit read/write register that selects the timer C output mode as shown in figure 56. It is reset to \$0 by MCU reset.
- **Timer write register C (TWCL: \$00E, TWCU: \$00F):** Write-only register consisting of the lower digit (TWCL) and the upper digit (TWCU). The operation of timer write register C is basically the same as that of timer write register B (TWBL: \$00A, TWBU: \$00B).
- **Timer read register C (TRCL: \$00E, TRCU: \$00F):** Read-only register consisting of the lower digit (TRCL) and the upper digit (TRCU) that holds the count of the timer C upper digit. The operation of timer read register C is basically the same as that of timer read register B (TRBL: \$00A, TRBU: \$00B).

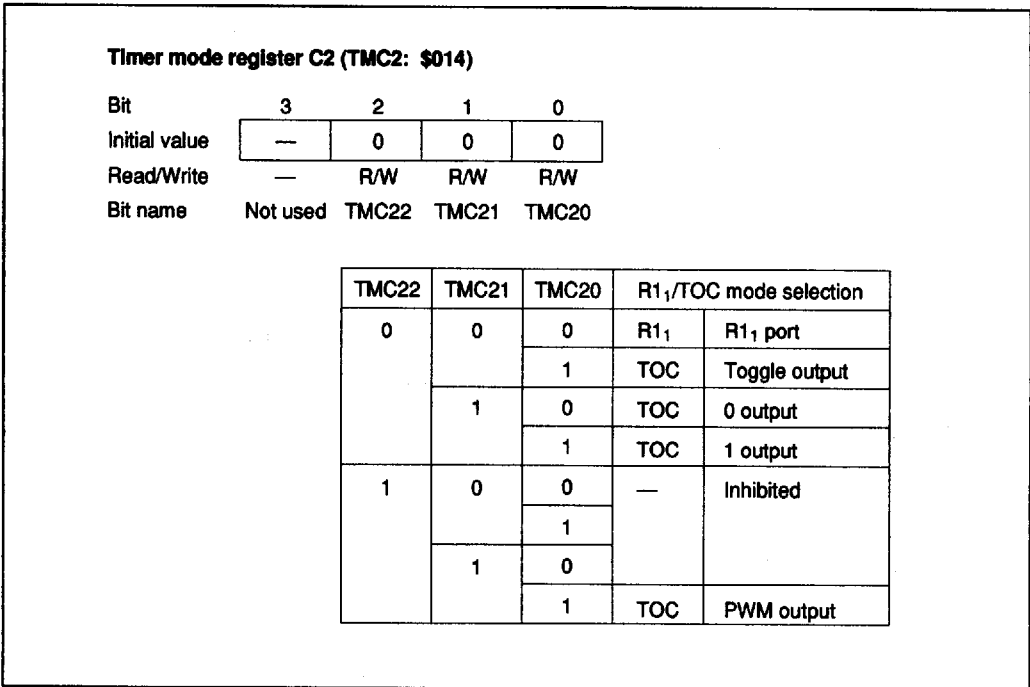


Figure 56 Timer Mode Register C2 (TMC2)

# HD404629 Series

## Timer write register C (lower digit) (TWCL: \$00E)

Bit	3	2	1	0
Initial value	0	0	0	0
Read/Write	W	W	W	W
Bit name	TWCL3	TWCL2	TWCL1	TWCL0

Figure 57 Timer Write Register C Lower Digit (TWCL)

## Timer write register C (upper digit) (TCU: \$00F)

Bit	3	2	1	0
Initial value	Undefined	Undefined	Undefined	Undefined
Read/Write	W	W	W	W
Bit name	TCU3	TCU2	TCU1	TCU0

Figure 58 Timer Write Register C Upper Digit (TCU)

## Timer read register C (lower digit) (TRCL: \$00E)

Bit	3	2	1	0
Initial value	Undefined	Undefined	Undefined	Undefined
Read/Write	R	R	R	R
Bit name	TRCL3	TRCL2	TRCL1	TRCL0

Figure 59 Timer Read Register C Lower Digit (TRCL)

## Timer read register C (upper digit) (TRCU: \$00F)

Bit	3	2	1	0
Initial value	Undefined	Undefined	Undefined	Undefined
Read/Write	R	R	R	R
Bit name	TRCU3	TRCU2	TRCU1	TRCU0

Figure 60 Timer Read Register C Upper Digit (TRCU)

**Timer D**

**Timer D Functions:** Timer D has the following functions.

- Free-running/reload timer
- External event counter
- Timer output operation (toggle, 0, 1, and PWM outputs)
- Input capture timer

The block diagram for each operation mode of timer D is shown in figures 61 and 62.

**Timer D Operations:**

- Free-running/reload timer operation: The free-running/reload operation, input clock source, and prescaler division ratio are selected by timer mode register D1 (TMD1: \$010).

Timer D is initialized to the value set in timer write register D (TWDL: \$011, TWDU: \$012) by software and incremented by one at each clock input. If an input clock is applied to timer D after it has reached \$FF, an overflow is generated. In this case, if the reload timer function is enabled, timer D is initialized to its initial value set in timer write register D; if the free-running timer function is enabled, the timer is initialized to \$00 and then incremented again.

The overflow sets the timer D interrupt request flag (IFTD: \$003, bit 0). IFTD is reset by software or MCU reset. Refer to figure 3 and table 1 for details.

- External event counter operation: Timer D is used as an external event counter by selecting the external event input as an input clock source. In this case, pin R2<sub>0</sub>/EVND must be set to EVND by port mode register C (PMRC: \$025).

Either falling or rising edge, or both falling and rising edges of input signals can be selected as the external event detection edge by detection edge select register 2 (ESR2: \$027). When both rising and falling edges detection is selected, the time between the falling edge and rising edge of input signals must be 2t<sub>cyc</sub> or longer.

Timer D is incremented by one at each detection edge selected by detection edge select register 2

(ESR2: \$027). The other operation is basically the same as the free-running/reload timer operation.

- Timer output operation: The following four output modes can be selected for timer D by setting timer mode register D2 (TMD2: \$015).

- Toggle
- 0 output
- 1 output
- PWM output

By selecting the timer output mode, pin R1<sub>2</sub>/TOD is set to TOD. The output from TOD is reset low by MCU reset.

— Toggle output: The operation is basically the same as that of timer-B's toggle output.

— 0 output: The operation is basically the same as that of timer-B's 0 output.

— 1 output: The operation is basically the same as that of timer-B's 1 output.

— PWM output: The operation is basically the same as that of timer-C's PWM output.

- Input capture timer operation: The input capture timer counts the clock cycles between trigger edges input to pin EVND.

Either falling or rising edge, or both falling and rising edges of input signals can be selected as the trigger input edge by detection edge select register 2 (ESR2: \$027).

When a trigger edge is input to EVND, the count of timer D is written to timer read register D (TRDL: \$011, TRDU: \$012), and the timer D interrupt request flag (IFTD: \$003, bit 0) and the input capture status flag (ICSF: \$021, bit 0) are set. Timer D is reset to \$00, and then incremented again. While ICSF is set, if a trigger input edge is applied to timer D, or if timer D generates an overflow, the input capture error flag (ICEF: \$021, bit 1) is set. ICSF and ICEF are reset to 0 by MCU reset or by writing 0.

By selecting the input capture operation, pin R1<sub>2</sub>/TOD is set to R1<sub>2</sub> and timer D is reset to \$00.



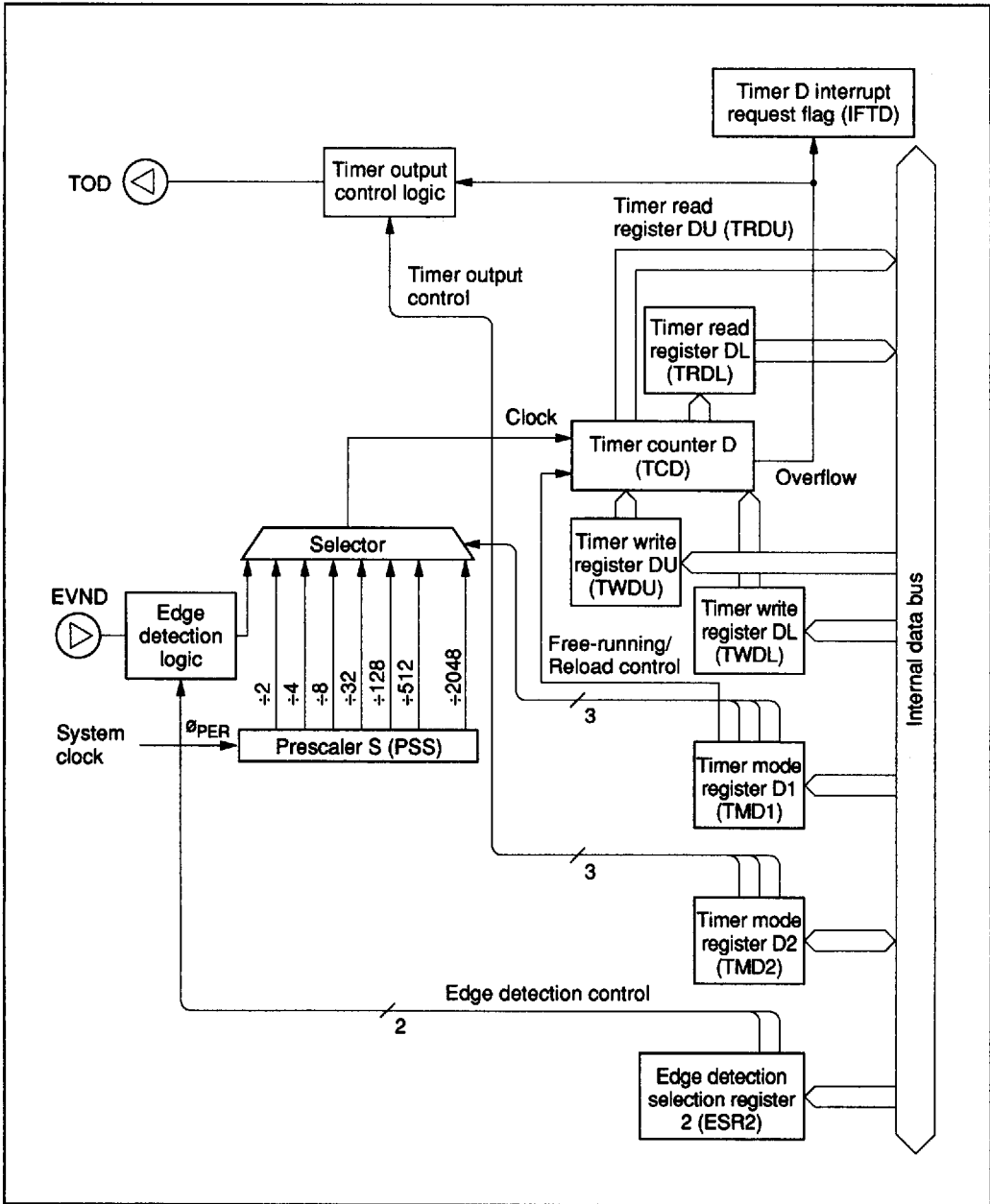


Figure 61 Block Diagram of Timer D (Free-Running/Reload Timer)

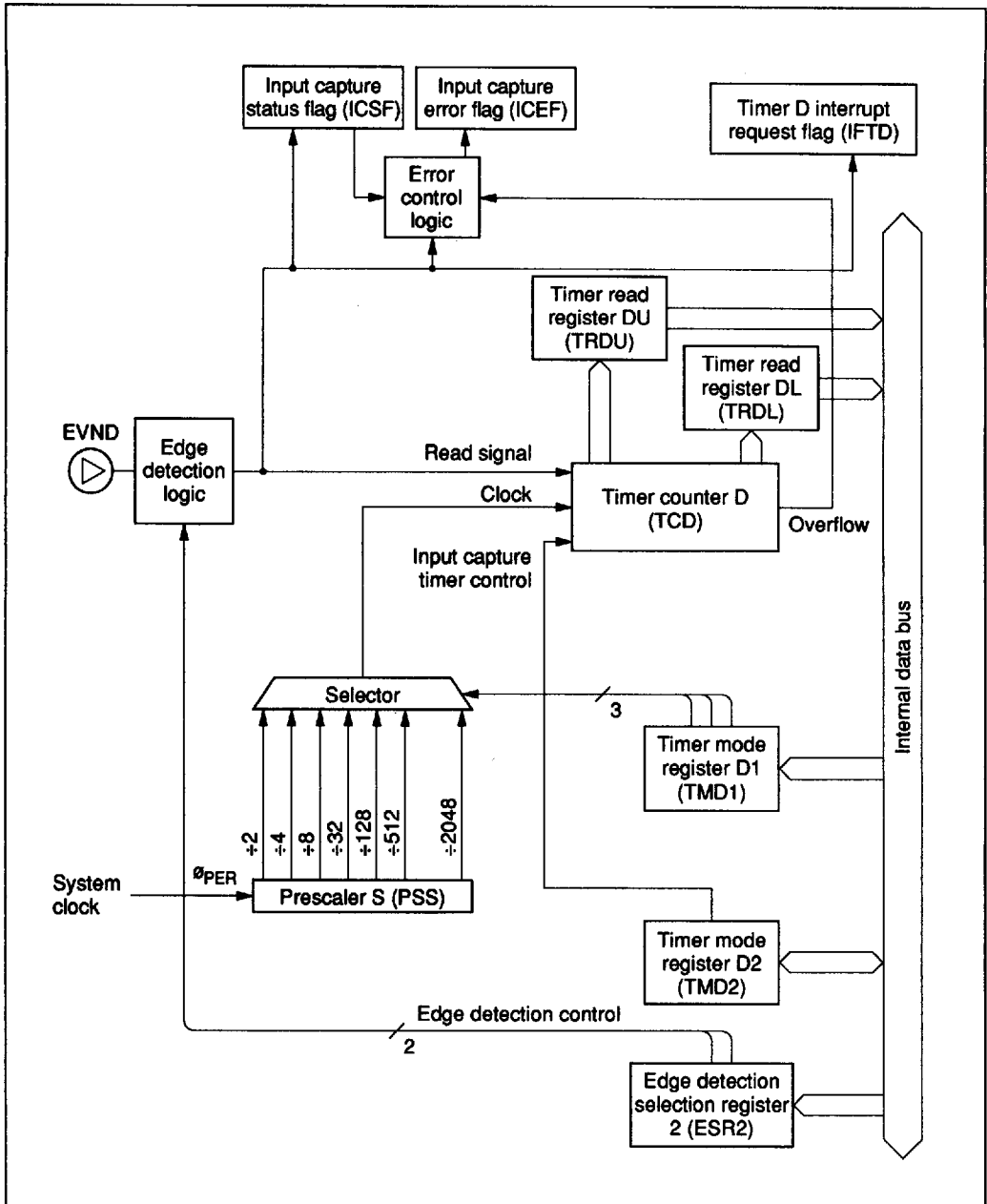


Figure 62 Block Diagram of Timer D (Input Capture Timer)

# HD404629 Series

**Registers for Timer D Operation:** By using the following registers, timer D operation modes are selected and the timer D count is read and written.

- Timer mode register D1 (TMD1: \$010)
- Timer mode register D2 (TMD2: \$015)
- Timer write register D (TWDL: \$011, TWDU: \$012)
- Timer read register D (TRDL: \$011, TRDU: \$012)
- Port mode register C (PMRC: \$025)
- Detection edge select register 2 (ESR2: \$027)

- Timer mode register D1 (TMD1: \$010): Four-bit write-only register that selects the free-run-

ning/reload timer function, input clock source, and the prescaler division ratio as shown in figure 63. It is reset to \$0 by MCU reset.

Writing to this register is valid from the second instruction execution cycle after the execution of the previous timer mode register D1 (TMD1: \$010) write instruction. Setting timer D's initialization by writing to timer write register D (TWDL: \$011, TWDU: \$012) must be done after a mode change becomes valid.

When selecting the input capture timer operation, select the internal clock as the input clock source.

Timer mode register D1 (TMD1: \$010)				
Bit	3	2	1	0
Initial value	0	0	0	0
Read/Write	W	W	W	W
Bit name	TMD13	TMD12	TMD11	TMD10

TMD13	Free-running/reload timer selection	TMD12	TMD11	TMD10	Input clock period and input clock source
0	Free-running timer	0	0	0	2048 $t_{cyc}$
				1	512 $t_{cyc}$
1	Reload timer		1	0	128 $t_{cyc}$
				1	32 $t_{cyc}$
1		0	0	0	8 $t_{cyc}$
				1	4 $t_{cyc}$
		1	0	0	2 $t_{cyc}$
				1	R2 $\phi$ /EVND (external event input)

Figure 63 Timer Mode Register D1 (TMD1)

- Timer mode register D2 (TMD2: \$015): Four-bit read/write register that selects the timer D output mode and input capture operation as shown in figure 64. It is reset to \$0 by MCU reset.
- Timer write register D (TWDL: \$011, TWDU: \$012): Write-only register consisting of the lower digit (TWDL) and the upper digit (TWDU). The operation of timer write register D is basically the same as that of timer write register B (TWBL: \$00A, TWBU: \$00B).
- Timer read register D (TRDL: \$011, TRDU: \$012): Read-only register consisting of the lower digit (TRDL) and the upper digit (TRDU). The operation of timer read register D is basic-

ly the same as that of timer read register B (TRBL: \$00A, TRBU: \$00B).

When the input capture timer operation is selected and if the count of timer D is read after a trigger is input, either the lower or upper digit can be read first.

- Port mode register C (PMRC: \$025): Write-only register that selects R2<sub>0</sub>/EVND pin function as shown in figure 53. It is reset to \$0 by MCU reset.
- Detection edge select register 2 (ESR2: \$027): Write-only register that selects the detection edge of signals input to pin EVND as shown in figure 69. It is reset to \$0 by MCU reset.

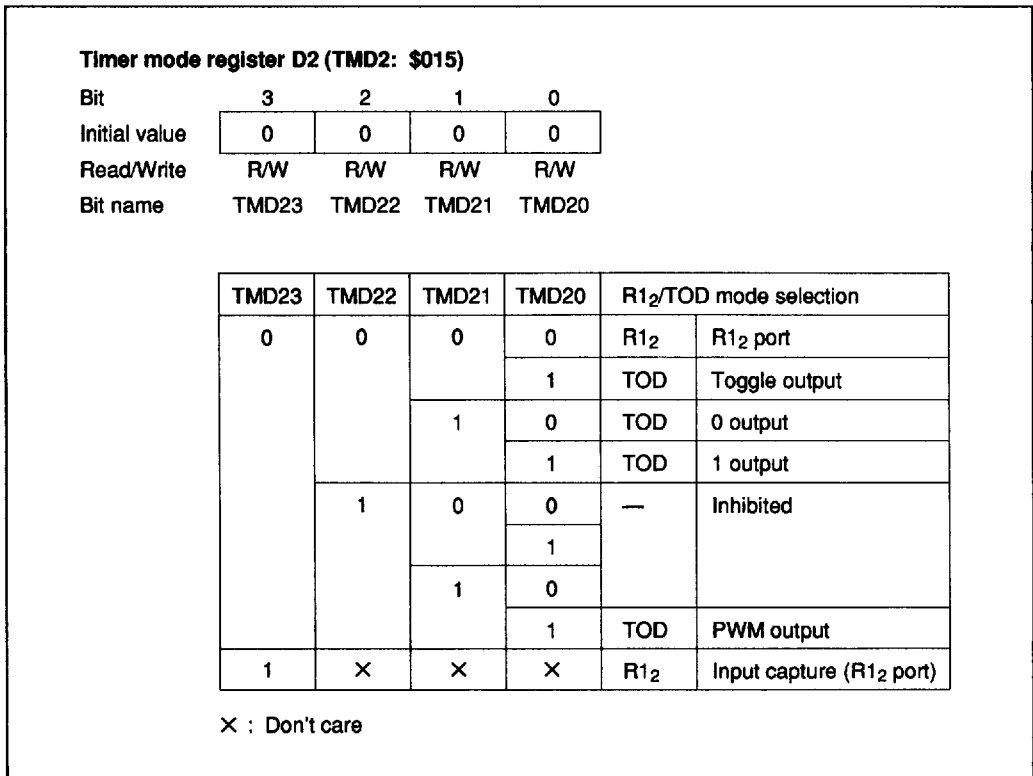


Figure 64 Timer Mode Register D2 (TMD2)

## Timer write register D (lower digit) (TWDL: \$011)

Bit	3	2	1	0
Initial value	0	0	0	0
Read/Write	W	W	W	W
Bit name	TWDL3	TWDL2	TWDL1	TWDL0

Figure 65 Timer Write Register D Lower Digit (TWDL)

## Timer write register D (upper digit) (TWDU: \$012)

Bit	3	2	1	0
Initial value	Undefined	Undefined	Undefined	Undefined
Read/Write	W	W	W	W
Bit name	TWDU3	TWDU2	TWDU1	TWDU0

Figure 66 Timer Write Register D Upper Digit (TWDU)

## Timer read register D (lower digit) (TRDL: \$011)

Bit	3	2	1	0
Initial value	Undefined	Undefined	Undefined	Undefined
Read/Write	R	R	R	R
Bit name	TRDL3	TRDL2	TRDL1	TRDL0

Figure 67 Timer Read Register D Lower Digit (TRDL)

## Timer read register D (upper digit) (TRDU: \$012)

Bit	3	2	1	0
Initial value	Undefined	Undefined	Undefined	Undefined
Read/Write	R	R	R	R
Bit name	TRDU3	TRDU2	TRDU1	TRDU0

Figure 68 Timer Read Register D Upper Digit (TRDU)

**Detection edge register 2 (ESR2: \$027)**

Bit	3	2	1	0
Initial value	0	0	0	0
Read/Write	W	W	W	W
Bit name	ESR23	ESR22	ESR21	ESR20

ESR23	ESR22	EVND detection edge
0	0	No detection
	1	Falling-edge detection
1	0	Rising-edge detection
	1	Double-edge detection*

ESR21	ESR20	INT <sub>4</sub> detection edge
0	0	No detection
	1	Falling-edge detection
1	0	Rising-edge detection
	1	Double-edge detection*

Note: \* Both falling and rising edges are detected.

**Figure 69 Detection Edge Select Register 2 (ESR2)**

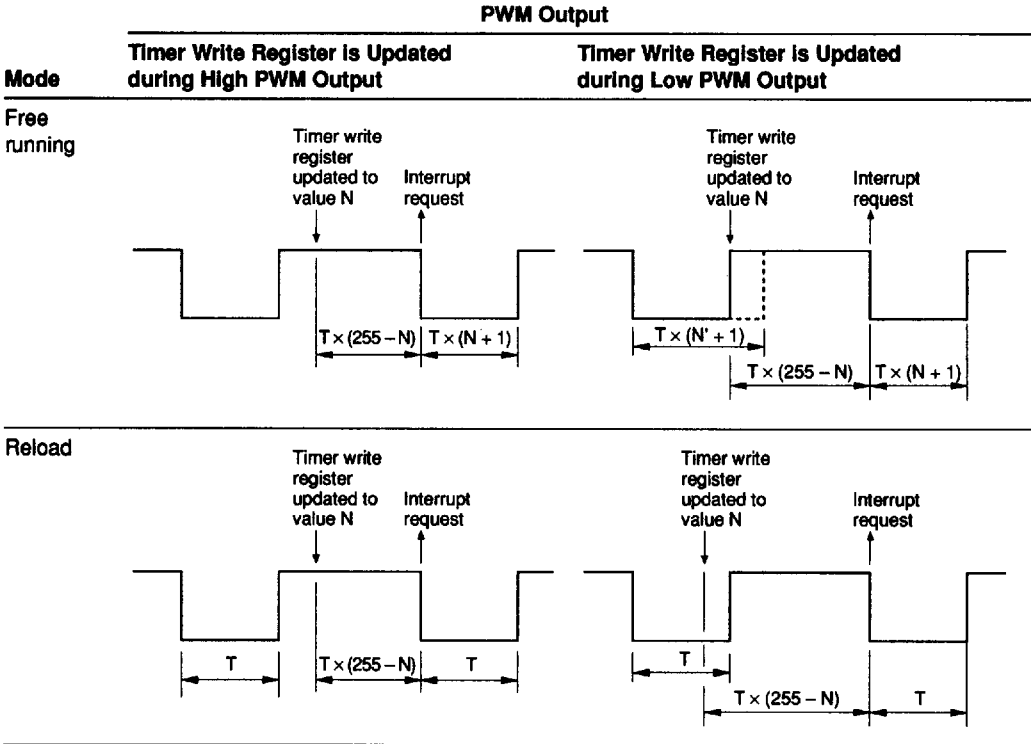
# HD404629 Series

## Note on Use

When using the timer output as PWM output, note the following point. From the update of the timer write register until the occurrence of the overflow interrupt, the PWM output differs from the period and duty settings, as shown in table 27. The PWM output should therefore not be used until after the overflow interrupt following the update of the timer write register. After the overflow, the PWM output will have the set period and duty cycle.

and duty settings, as shown in table 27. The PWM output should therefore not be used until after the overflow interrupt following the update of the timer write register. After the overflow, the PWM output will have the set period and duty cycle.

**Table 27 PWM Output Following Update of Timer Write Register**



**Serial Interface**

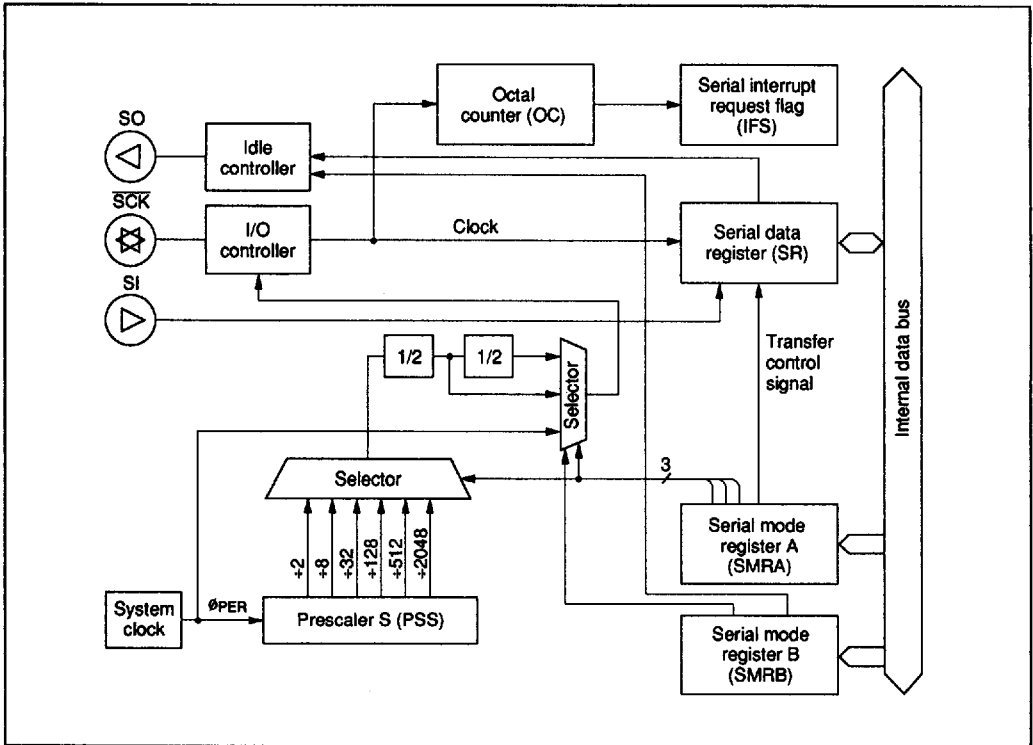
The serial interface serially transfers and receives 8-bit data, and includes the following features.

- Multiple transmit clock sources
  - External clock
  - Internal prescaler output clock
  - System clock
- Output level control in idle states

- Serial data register (SRL: \$006, SRU: \$007)
- Serial mode register A (SMRA: \$005)
- Serial mode register B (SMRB: \$028)
- Miscellaneous register (MIS: \$00C)
- Octal counter (OC)
- Selector

The block diagram of the serial interface is shown in figure 70.

Five registers, an octal counter, and a multiplexer are also configured for the serial interface as follows.



**Figure 70 Block Diagram of Serial Interface**



## Serial Interface Operation

### Selecting and Changing the Operating Mode:

Table 28 lists the serial interface's operating modes. To select an operating mode, use one of these combinations of port mode register A (PMRA: \$004) and serial mode register A (SMRA: \$005) settings; to change the operating mode, always initialize the serial interface internally by writing data to serial mode register A. Note that the serial interface is initialized by writing data to serial mode register A. Refer to the following Serial Mode Register A section for details.

**Pin Setting:** The  $R2_1/\overline{SCK}$  pin is controlled by writing data to serial mode register A (SMRA: \$005). The  $R2_2/SI$  and  $R2_3/SO$  pins are controlled by writing data to port mode register A (PMRA: \$004). Refer to the following Registers for Serial Interface section for details.

**Transmit Clock Source Setting:** The transmit clock source is set by writing data to serial mode register A (SMRA: \$005) and serial mode register B (SMRB: \$028). Refer to the following Registers for Serial Interface section for details.

**Data Setting:** Transmit data is set by writing data to the serial data register (SRL: \$006, SRU: \$007). Receive data is obtained by reading the contents of the serial data register. The serial data is shifted by the transmit clock and is input from or output to an external system.

The output level of the SO pin is invalid until the first data is output after MCU reset, or until the output level control in idle states is performed.

**Transfer Control:** The serial interface is activated by the STS instruction. The octal counter is reset to 000 by this instruction, and it increments at the rising edge of the transmit clock. When the eighth transmit clock signal is input or when serial transmission/receive is discontinued, the octal counter is reset to 000, the serial interrupt request flag (IFS: \$023, bit 2) is set, and the transfer stops.

When the prescaler output is selected as the transmit clock, the transmit clock frequency is selected as  $4t_{cyc}$  to  $8192t_{cyc}$  by setting bits 2 to 0 (SMRA2–SMRA0) of serial mode register A (SMRA: \$005)

and bit 0 (SMRB0) of serial mode register B (SMRB: \$028) as listed in table 29.

**Operating States:** The serial interface has the following operating states; transitions between them are shown in figure 71.

STS wait state  
Transmit clock wait state  
Transfer state  
Continuous clock output state (only in internal clock mode)

- STS wait state: The serial interface enters STS wait state by MCU reset (00, 10 in figure 71). In STS wait state, the serial interface is initialized and the transmit clock is ignored. If the STS instruction is then executed (01, 11), the serial interface enters transmit clock wait state.
- Transmit clock wait state: Transmit clock wait state is between the STS execution and the falling edge of the first transmit clock. In transmit clock wait state, input of the transmit clock (02, 12) increments the octal counter, shifts the serial data register, and enters the serial interface in transfer state. However, note that if continuous clock output mode is selected in internal clock mode, the serial interface does not enter transfer state but enters continuous clock output state (17).

The serial interface enters STS wait state by writing data to serial mode register A (SMRA: \$005) (04, 14) in transmit clock wait state.

- Transfer state: Transfer state is between the falling edge of the first clock and the rising edge of the eighth clock. In transfer state, the input of eight clocks or the execution of the STS instruction sets the octal counter to 000, and the serial interface enters another state. When the STS instruction is executed (05, 15), transmit clock wait state is entered. When eight clocks are input, transmit clock wait state is entered (03) in external clock mode, and STS wait state is entered (13) in internal clock mode. In internal clock mode, the transmit clock stops after outputting eight clocks.

In transfer state, writing data to serial mode register A (SMRA: \$005) (06, 16) initializes the serial interface, and STS wait state is entered.

If the state changes from transfer to another state, the serial interrupt request flag (IFS: \$023, bit 2) is set by the octal counter that is reset to 000.

- Continuous clock output state (only in internal clock mode): Continuous clock output state is entered only in internal clock mode. In this state, the serial interface does not transmit/receive data but only outputs the transmit clock from the SCK pin.

When bits 1 and 0 (PMRA1, PMRA0) of port mode register A (PMRA: \$004) are 00 in transmit clock wait state and if the transmit clock is input (17), the serial interface enters continuous

clock output state. If serial mode register A (SMRA: \$005) is written to in continuous clock output mode (18), STS wait state is entered.

**Output Level Control in Idle States:** In idle states, that is, STS wait state and transmit clock wait state, the output level of the SO pin can be controlled by setting bit 1 (SMRB1) of serial mode register B (SMRB: \$028) to 0 or 1. The output level control example is shown in figure 72. Note that the output level cannot be controlled in transfer state.

**Transmit Clock Error Detection (In External Clock Mode):** The serial interface will malfunction if a spurious pulse caused by external noise conflicts with a normal transmit clock during transfer. A transmit clock error of this type can be detected as shown in figure 73.

Table 28 Serial Interface Operating Modes

SMRA		PMRA		Operating Mode
Bit 3	Bit 1	Bit 0		
1	0	0		Continuous clock output mode
		1		Transmit mode
1	1	0		Receive mode
		1		Transmit/receive mode

Table 29 Serial Transmit Clock (Prescaler Output)

SMRB		SMRA		Prescaler Division Ratio	Transmit Clock Frequency	
Bit 0	Bit 2	Bit 1	Bit 0			
0	0	0	0	+ 2048	4096 <sub>t<sub>cyc</sub></sub>	
			1	+ 512	1024 <sub>t<sub>cyc</sub></sub>	
		1	0	+ 128	256 <sub>t<sub>cyc</sub></sub>	
			1	+ 32	64 <sub>t<sub>cyc</sub></sub>	
		1	0	0	+ 8	16 <sub>t<sub>cyc</sub></sub>
				1	+ 2	4 <sub>t<sub>cyc</sub></sub>
1	0	0	0	+ 4096	8192 <sub>t<sub>cyc</sub></sub>	
			1	+ 1024	2048 <sub>t<sub>cyc</sub></sub>	
		1	0	+ 256	512 <sub>t<sub>cyc</sub></sub>	
			1	+ 64	128 <sub>t<sub>cyc</sub></sub>	
		1	0	0	+ 16	32 <sub>t<sub>cyc</sub></sub>
				1	+ 4	8 <sub>t<sub>cyc</sub></sub>

# HD404629 Series

If more than eight transmit clocks are input in transfer state, at the eighth clock including a spurious pulse by noise, the octal counter reaches 000, the serial interrupt request flag (IFS: \$023, bit 2) is set, and transmit clock wait state is entered. At the falling edge of the next normal clock signal, the transfer state is entered. After the transfer completion processing is performed and IFS is reset, writing to serial mode register A (SMRA: \$005) changes the state from transfer to STS wait. At this time IFS is set again, and therefore the error can be detected.

### Notes on Use:

- Initialization after writing to registers: If port

mode register A (PMRA: \$004) is written in transmit clock wait state or in transfer state, the serial interface must be initialized by writing to serial mode register A (SMRA: \$005) again.

- Serial interrupt request flag (IFS: \$023, bit 2) set: If the state is changed from transfer to another by writing to serial mode register A (SMRA: \$005) or executing the STS instruction during the first low pulse of the transmit clock, the serial interrupt request flag is not set. To set the serial interrupt request flag, serial mode register A write or STS instruction execution must be programmed to be executed after confirming that the SCK pin is at 1, that is, after executing the input instruction to port R2.

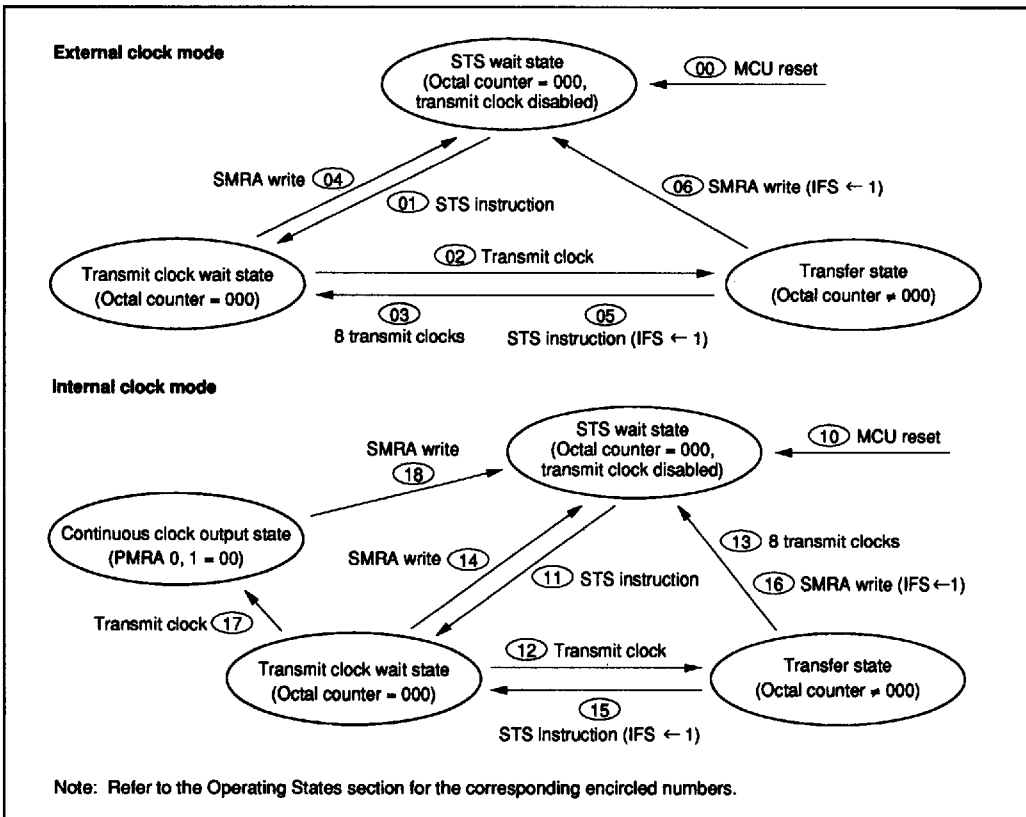


Figure 71 Serial Interface State Transitions

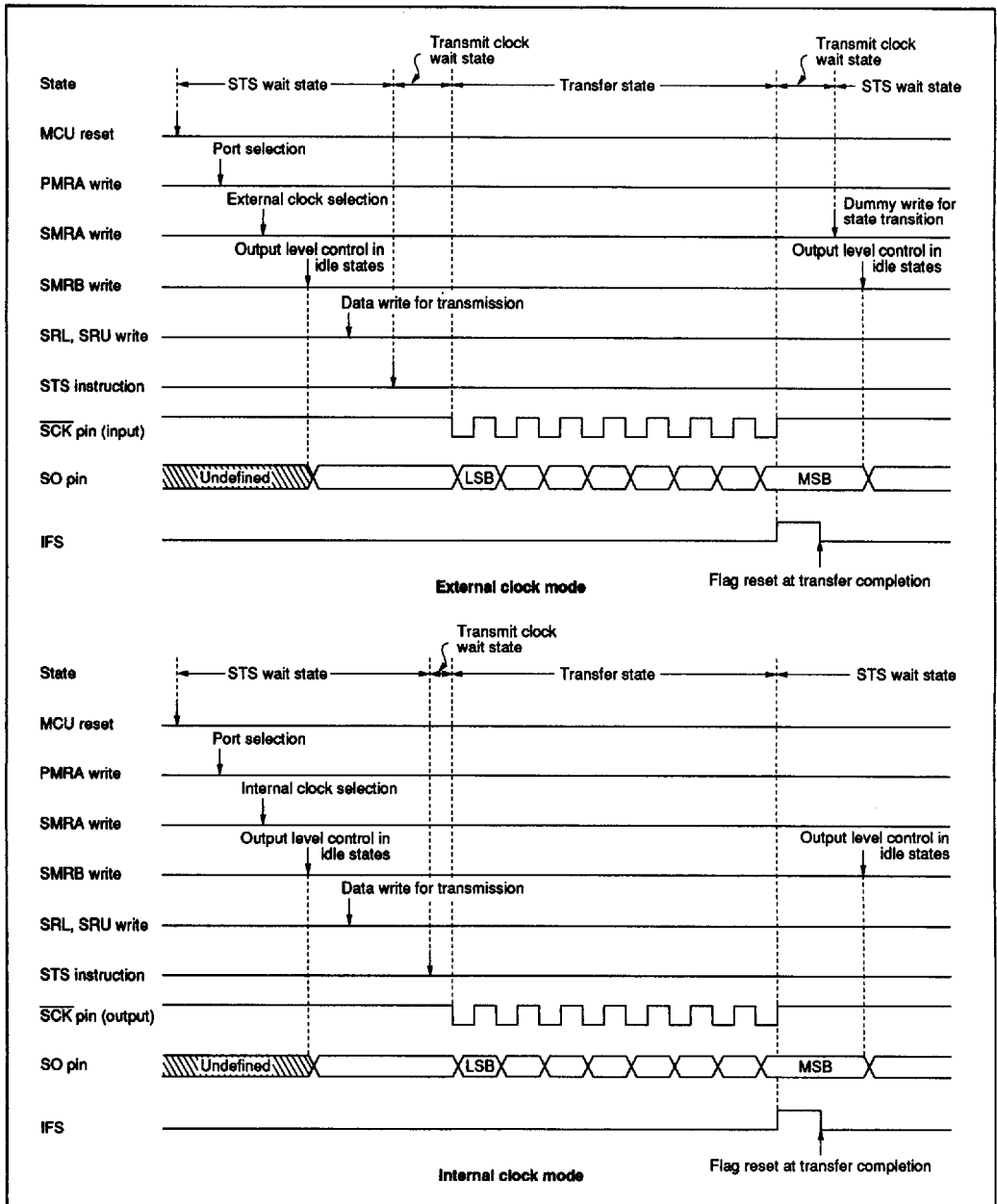
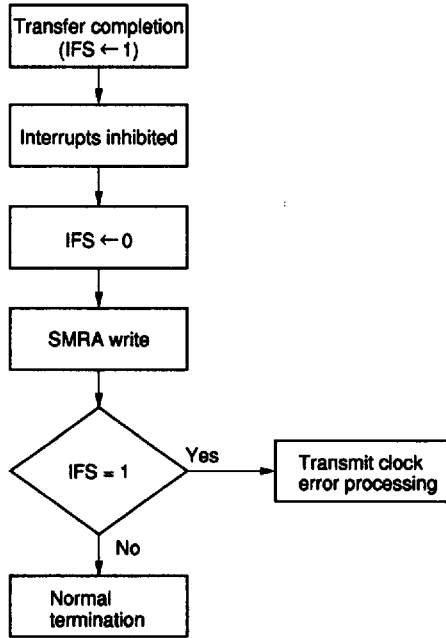


Figure 72 Example of Serial Interface Operation Sequence



Transmit clock error detection flowchart

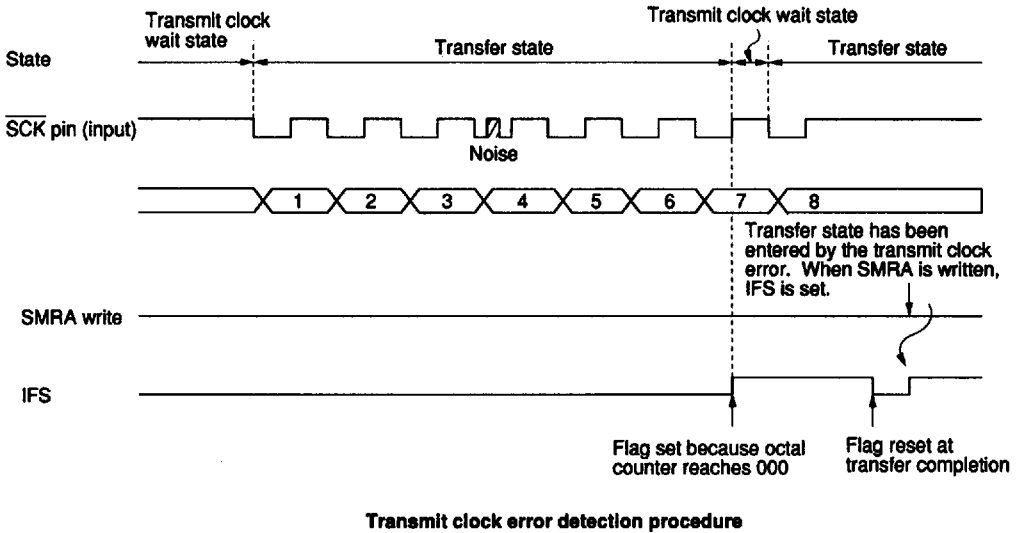


Figure 73 Transmit Clock Error Detection

**Registers for Serial Interface**

The serial interface operation is selected, and serial data is read and written by the following registers.

- Serial Mode Register A (SMRA: \$005)
- Serial Mode Register B (SMRB: \$028)
- Serial Data Register (SRL: \$006, SRU: \$007)
- Port Mode Register A (PMRA: \$004)
- Miscellaneous Register (MIS: \$00C)

**Serial Mode Register A (SMRA: \$005):** This register has the following functions (figure 74).

- R<sub>21</sub>/SCK pin function selection
- Transfer clock selection
- Prescaler division ratio selection
- Serial interface initialization

Serial mode register A (SMRA: \$005) is a 4-bit write-only register. It is reset to \$0 by MCU reset.

A write signal input to serial mode register A (SMRA: \$005) discontinues the input of the transmit clock to the serial data register and octal

counter, and the octal counter is reset to 000. Therefore, if a write is performed during data transfer, the serial interrupt request flag (IFS: \$023, bit 2) is set.

Written data is valid from the second instruction execution cycle after the write operation, so the STS instruction must be executed at least two cycles after that.

**Serial Mode Register B (SMRB: \$028):** This register has the following functions (figure 75).

- Prescaler division ratio selection
- Output level control in idle states

Serial mode register B is a 2-bit write-only register. It cannot be written during data transfer.

By setting bit 0 (SMRB0) of this register, the prescaler division ratio is selected. Only bit 0 (SMRB0) can be reset to 0 by MCU reset. By setting bit 1 (SMRB1), the output level of the SO pin is controlled in idle states. The output level changes at the same time that SMRB1 is written to.

**Serial mode register A (SMRA: \$005)**

Bit	3	2	1	0
Initial value	0	0	0	0
Read/Write	W	W	W	W
Bit name	SMRA3	SMRA2	SMRA1	SMRA0

SMRA3	R <sub>21</sub> /SCK mode selection											
0	R <sub>21</sub>	SMRA2	SMRA1	SMRA0	SCK	Clock source	Prescaler division ratio					
1	SCK											
0								0	0	Output	Prescaler	Refer to table 29
									1			
1		0	0	Output	System clock	—						
			1									
1		1	0	Input	External clock	—						
			1									

**Figure 74 Serial Mode Register A (SMRA)**

# HD404629 Series

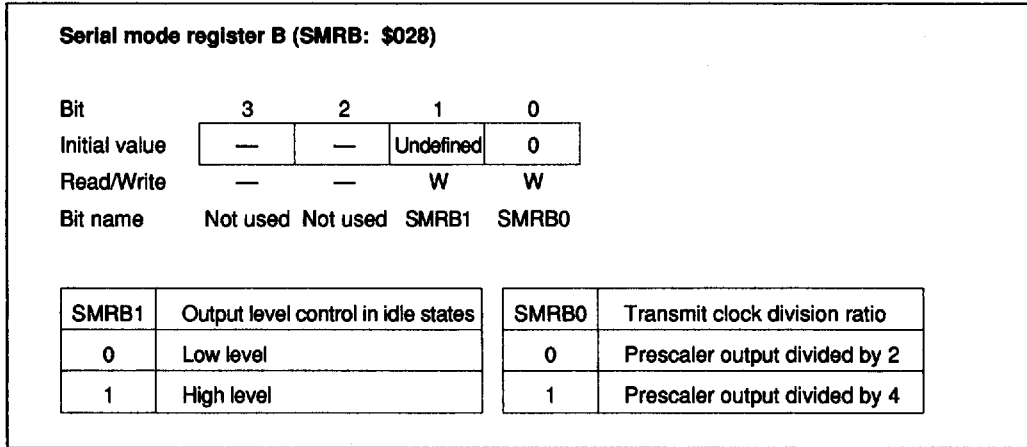
**Serial Data Register (SRL: \$006, SRU: \$007):**  
This register has the following functions (figures 76 and 77).

- Transmission data write and shift
- Receive data shift and read

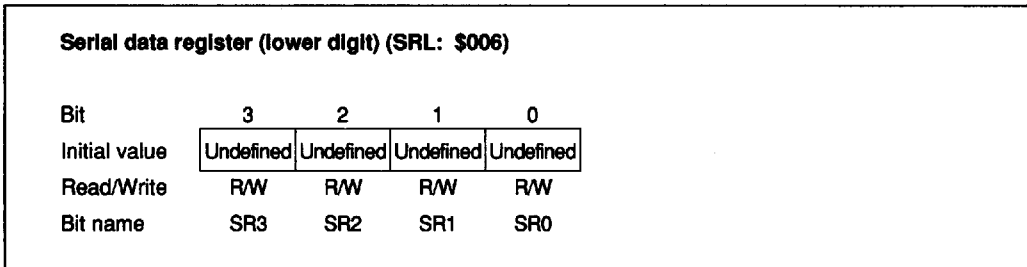
Writing data in this register is output from the SO pin, LSB first, synchronously with the falling edge

of the transmit clock; data is input, LSB first, through the SI pin at the rising edge of the transmit clock. Input/output timing is shown in figure 78.

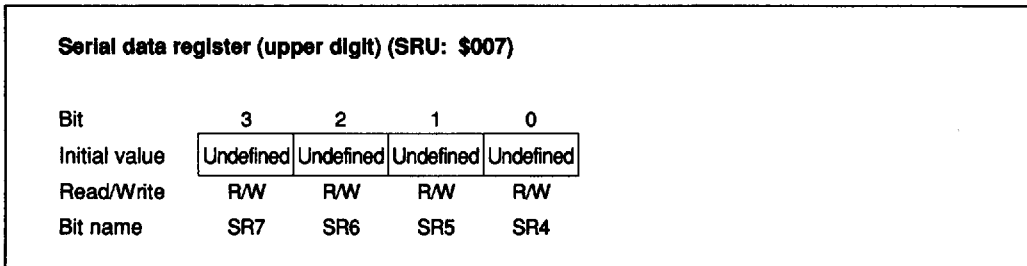
Data cannot be read or written during serial data transfer. If a read/write occurs during transfer, the accuracy of the resultant data cannot be guaranteed.



**Figure 75 Serial Mode Register B (SMRB)**



**Figure 76 Serial Data Register (SRL)**



**Figure 77 Serial Data Register (SRU)**

**Port Mode Register A (PMRA: \$004):** This register has the following functions (figure 79).

- R2<sub>2</sub>/SI pin function selection
- R2<sub>3</sub>/SO pin function selection

Port mode register A (PMRA: \$004) is a 2-bit write-only register, and is reset to \$0 by MCU reset.

**Miscellaneous Register (MIS: \$00C):** This register has the following function (figure 80).

- R2<sub>3</sub>/SO pin PMOS control

Miscellaneous register (MIS: \$00C) is a 4-bit write-only register and is reset to \$0 by MCU reset.

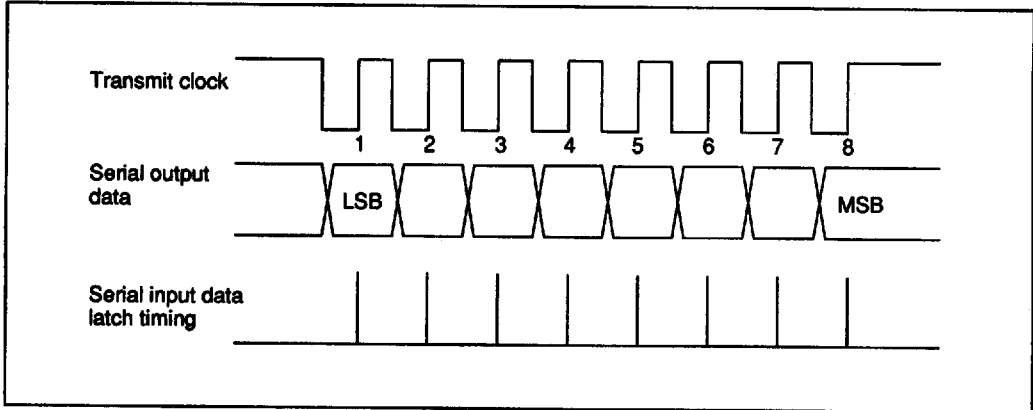


Figure 78 Serial Interface Output Timing

**Port mode register A (PMRA: \$004)**

Bit	3	2	1	0
Initial value	—	—	0	0
Read/Write	—	—	W	W
Bit name	Not used	Not used	PMRA1	PMRA0

PMRA1	R2 <sub>2</sub> /SI mode selection
0	R2 <sub>2</sub>
1	SI

PMRA0	R2 <sub>3</sub> /SO mode selection
0	R2 <sub>3</sub>
1	SO

Figure 79 Port Mode Register A (PMRA)



**Miscellaneous register (MIS: \$00C)**

Bit	3	2	1	0
Initial value	0	0	0	0
Read/Write	W	W	W	W
Bit name	MIS3	MIS2	MIS1	MIS0

MIS3	Pull-up MOS on/off selection
0	Off
1	On

MIS2	R <sub>23</sub> /SO PMOS on/off selection
0	On
1	Off

MIS1	MIS0	t <sub>RC</sub>
0	0	0.12207 ms
	0	0.24414 ms
1	1	7.8125 ms
	0	31.25 ms
	1	Not used

**Figure 80 Miscellaneous Register (MIS)**

**A/D Converter**

The MCU has a built-in A/D converter that uses a successive approximation method with a resistor ladder. It can measure four analog inputs with 8-bit resolution. As shown in the block diagram of figure 81, the A/D converter has a 4-bit A/D mode register, a 1-bit A/D start flag, and a 4-bit plus 4-bit A/D data register.

**A/D Mode Register (AMR: \$016):** Four-bit write-only register which selects the A/D conversion period and indicates analog input pin information. Bit 0 of the A/D mode register selects the A/D conversion period, and bits 3 and 2 select a channel, as shown in figure 82.

**A/D Data Register (ADRL: \$017, ADRL: \$018):** Eight-bit read-only register consisting of a 4-bit lower digit and 4-bit upper digit. This register is not cleared by reset. After the completion of A/D conversion, the resultant eight-bit data is held in this register until the start of the next conversion (figures 83, 84, and 85).

**A/D Start Flag (ADSF: \$020, Bit 2):** One-bit flag that initiates A/D conversion when set to 1. At the completion of A/D conversion, the converted data is stored in the A/D data register and the A/D start flag is cleared. Refer to figure 86.

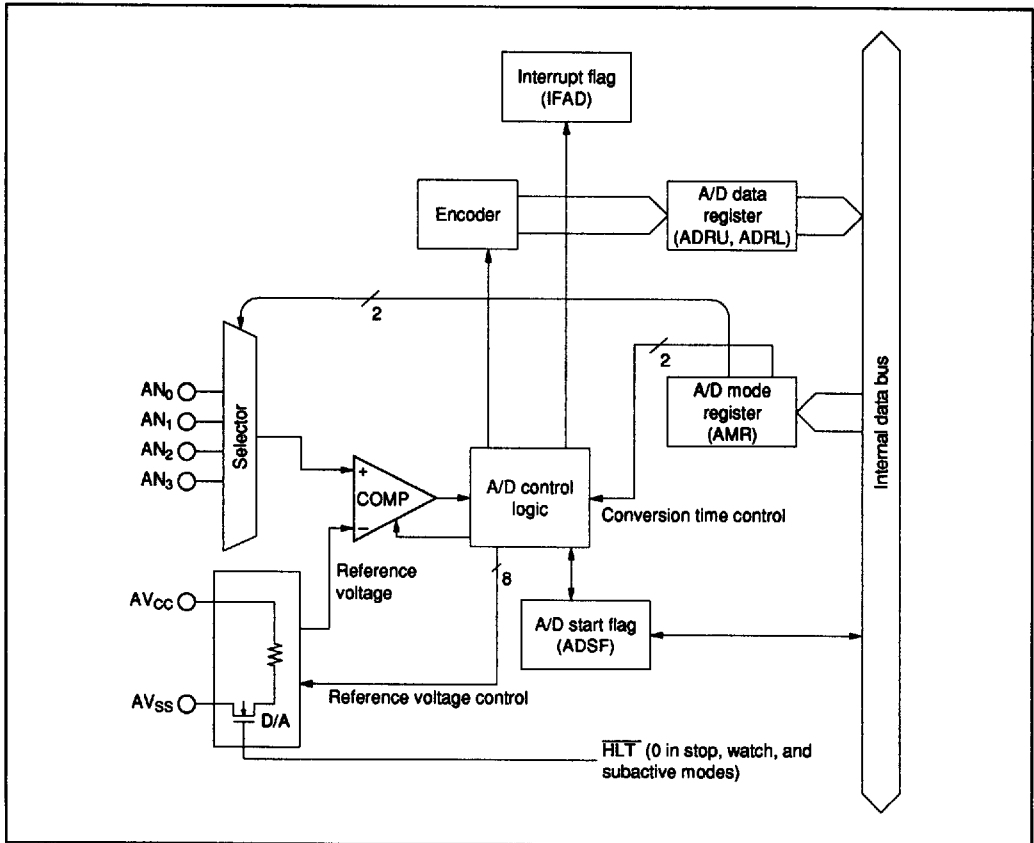


Figure 81 Block Diagram of A/D Converter

# HD404629 Series

**Note on Use:** Use the SEM and SEMD instructions to write data to the A/D start flag (ADSF: \$020, bit 2), but make sure that the A/D start flag is not written to during A/D conversion. Data read from the A/D data register (ADRL: \$017, ADRU: \$018) during A/D conversion cannot be guaranteed.

The A/D converter does not operate in the stop, watch, and subactive modes because of the OSC clock. During these low-power dissipation modes, current through the resistor ladder is cut off to decrease the power input.

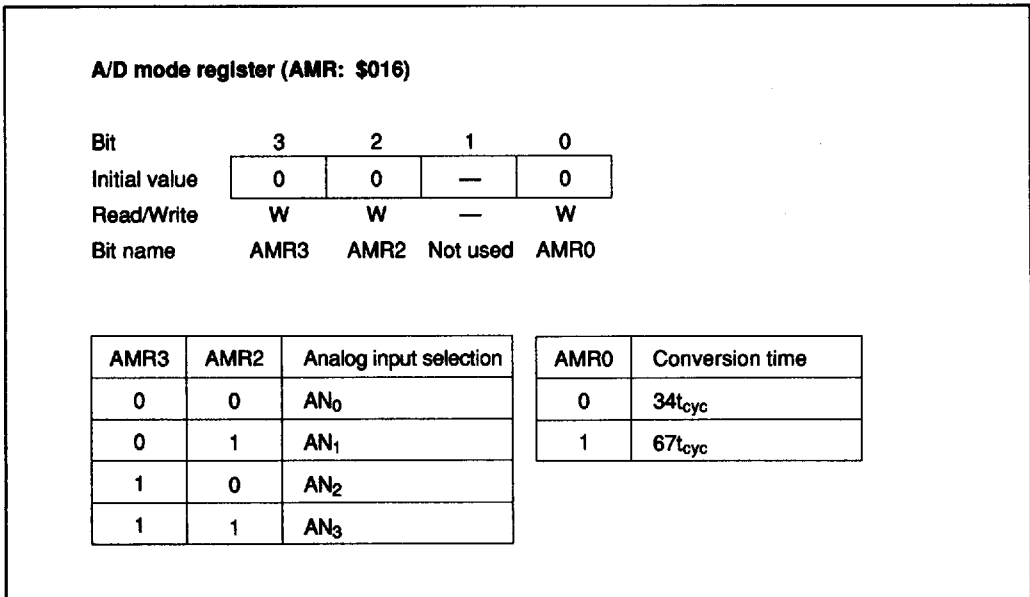


Figure 82 A/D Mode Register (AMR)

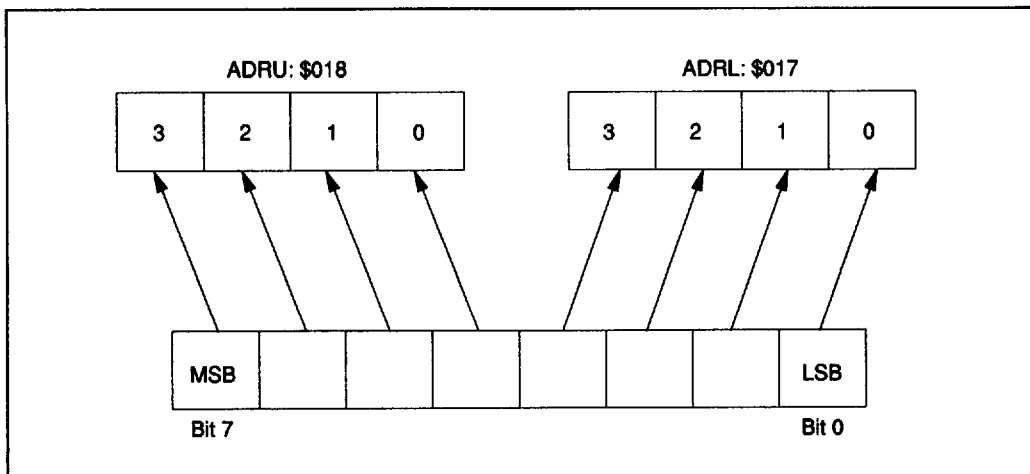


Figure 83 A/D Data Registers (ADRU, ADRL)

**A/D data register (lower digit) (ADRL: \$017)**

Bit	3	2	1	0
Initial value	0	0	0	0
Read/Write	R	R	R	R
Bit name	ADRL3	ADRL2	ADRL1	ADRL0

**Figure 84 A/D Data Register Lower Digit (ADRL)**

**A/D data register (upper digit) (ADRU: \$018)**

Bit	3	2	1	0
Initial value	1	0	0	0
Read/Write	R	R	R	R
Bit name	ADRU3	ADRU2	ADRU1	ADRU0

**Figure 85 A/D Data Register Upper Digit (ADRU)**

**A/D start flag (ADSF: \$020, bit 2)**

Bit	3	2	1	0
Initial value	0	0	0	0
Read/Write	R/W	R/W	R/W	R/W
Bit name	DTON	ADSF	WDON	LSON

DTON	
1	Refer to the description of operating modes

WDON	
1	Refer to the description of timers

ADSF (A/D start flag)	
1	A/D conversion started
0	A/D conversion completed

LSON	
1	Refer to the description of operating modes

**Figure 86 A/D Start Flag (ADSF)**

## DTMF Generation Circuit

The MCU provides a dual-tone multifrequency (DTMF) generation circuit. The DTMF signal consists of two sine waves to access the switching system.

Figure 87 shows the DTMF keypad and frequencies. Each key enables tones to be generated corresponding to each frequency. Figure 88 shows a block diagram of the DTMF circuit.

The OSC clock (400 kHz, 800 kHz, 2 MHz, or 4 MHz) is changed into four clock signals through the division circuit (1/2, 1/5, and 1/10). The DTMF circuit uses one of the four clock signals, which is selected by the system clock select register (SSR: \$029) depending on the OSC clock frequency. The DTMF circuit has transformed programmable dividers, sine wave counters, and control registers.

The DTMF generation circuit is controlled by the following three registers.

**Tone Generator Mode Register (TGM: \$019):** Four-bit write-only register, which controls output frequencies as shown in figure 89, and is reset to \$0 by MCU reset.

**Tone Generator Control Register (TGC: \$01A):** Three-bit write-only register, which controls the start/stop of the DTMF signal output as shown in figure 90, and is reset to \$0 by MCU reset. TONER and TONEC output can be independently controlled by bits 3 and 2 (TGC3, TGC2), and the DTMF circuit is controlled by bit 1 (TGC1) of this register.

**System Clock Select Register (SSR: \$029):** Four-bit write-only register. This register must be set to the value specified in figure 91 depending on the frequency of the oscillator connected to the OSC<sub>1</sub> and OSC<sub>2</sub> pins. Note that if the combination of the oscillation frequency and the value in this register is different from that specified in figure 91, the DTMF output frequencies will differ from the correct frequencies as listed in figure 89.

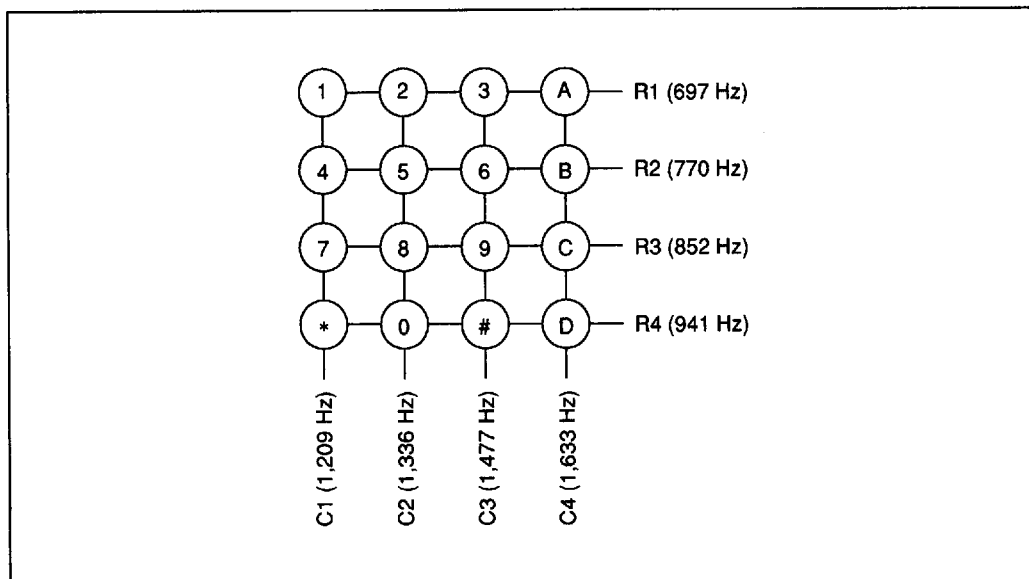


Figure 87 DTMF Keypad and Frequencies

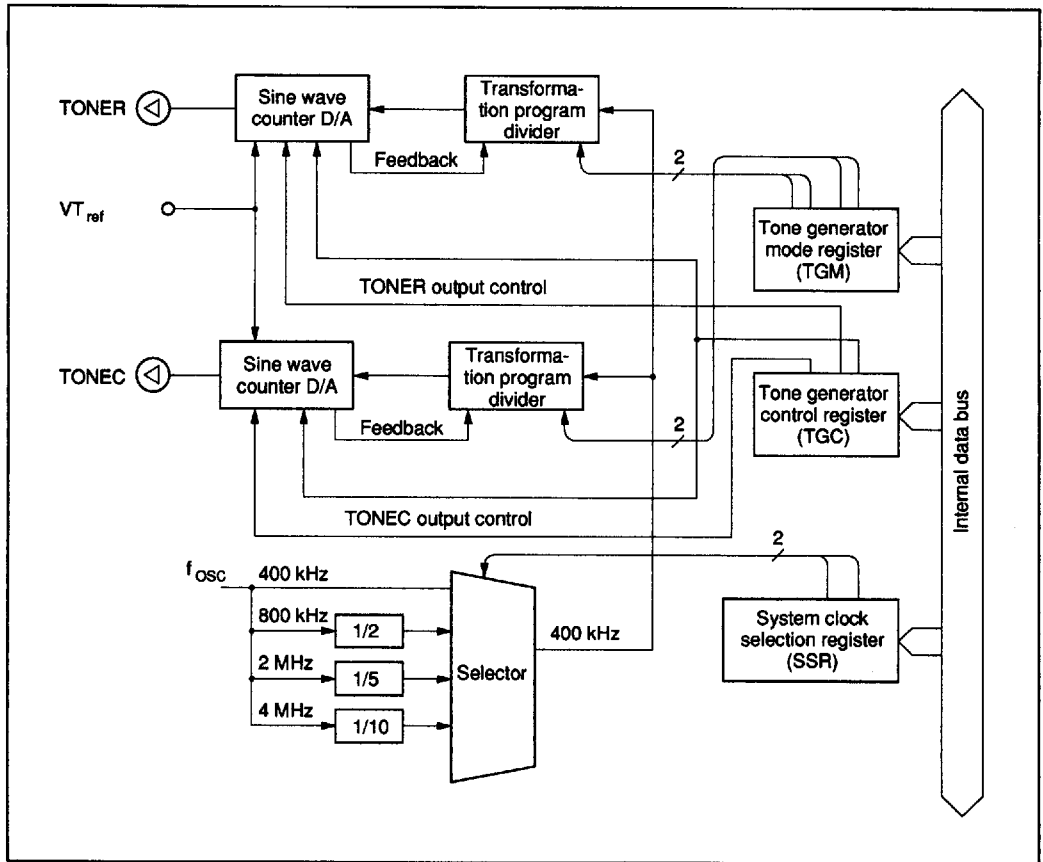


Figure 88 Block Diagram of DTMF Circuit

# HD404629 Series

## Tone generator mode register (TGM: \$019)

Bit	3	2	1	0
Initial value	0	0	0	0
Read/Write	W	W	W	W
Bit name	TGM3	TGM2	TGM1	TGM0

TGM3	TGM2	TONEC output frequencies
0	0	$f_{C1}$ (1,209 Hz)
0	1	$f_{C2}$ (1,336 Hz)
1	0	$f_{C3}$ (1,477 Hz)
1	1	$f_{C4}$ (1,633 Hz)

TGM1	TGM0	TONER output frequencies
0	0	$f_{R1}$ (697 Hz)
0	1	$f_{R2}$ (770 Hz)
1	0	$f_{R3}$ (852 Hz)
1	1	$f_{R4}$ (941 Hz)

Figure 89 Tone Generator Mode Register (TGM)

## Tone generator control register (TGC: \$01A)

Bit	3	2	1	0
Initial value	0	0	0	—
Read/Write	W	W	W	—
Bit name	TGC3	TGC2	TGC1	Not used

TGC3	TONEC output control (column)
0	No output
1	TONEC output (active)

TGC1	DTMF enable bit
0	DTMF disable
1	DTMF enable

TGC2	TONER output control (row)
0	No output
1	TONER output (active)

Figure 90 Tone Generator Control Register (TGC)

**DTMF Output:** The sine waves of the row-group and column-group are individually converted in the D/A conversion circuit which provides a high-precision ladder resistance. The DTMF output pins (TONER, TONEC) transmit the sine waves of the row-group and column-group, respectively.

Figure 92 shows the tone output equivalent circuit. Figure 93 shows the output waveform. One cycle of this wave consists of 32 slots. Therefore, the output waveform is stable with little distortion. Table 30 lists the frequency deviation of the MCU from standard DTMF signals.

**Table 30 Frequency Deviation of the MCU from Standard DTMF**

	Standard DTMF (Hz)	MCU (Hz)	Deviation from Standard (%)
R1	697	694.44	-0.37
R2	770	769.23	-0.10
R3	852	851.06	-0.11
R4	941	938.97	-0.22
C1	1,209	1,212.12	0.26
C2	1,336	1,333.33	-0.20
C3	1,477	1,481.48	0.30
C4	1,633	1,639.34	0.39

Note: This frequency deviation value does not include the frequency deviation due to the oscillator element. Also note that in this case the ratio of the high level and low level widths in the oscillator waveform due to the oscillator element will be 50%:50%.

**System clock select register (SSR: \$029)**

Bit	3	2	1	0
Initial value	0	0	0	0
Read/Write	W	W	W	W
Bit name	SSR3	SSR2	SSR1	SSR0

SSR3	32-kHz oscillation stop
0	Oscillation operates in stop mode
1	Oscillation stops in stop mode

SSR2	32-kHz oscillation division ratio selection
0	$f_{SUB} = f_x/8$
1	$f_{SUB} = f_x/4$

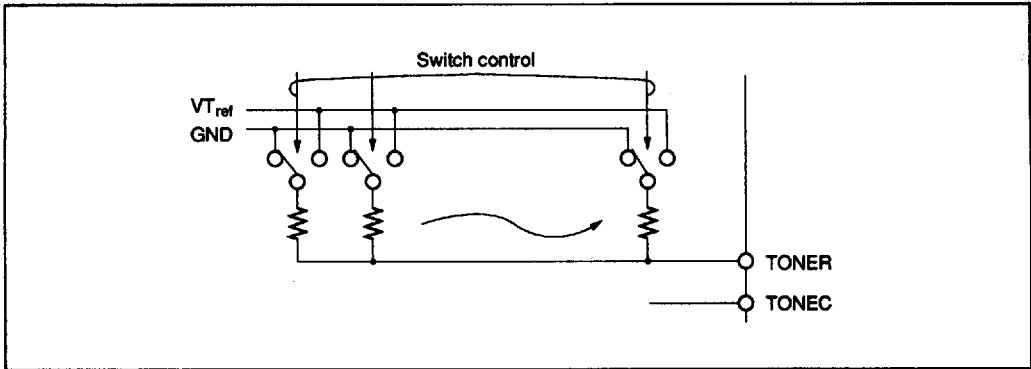
  

SSR1	SSR0	System clock selection
0	0	400 kHz
0	1	800 kHz
1	0	2 MHz
1	1	4 MHz

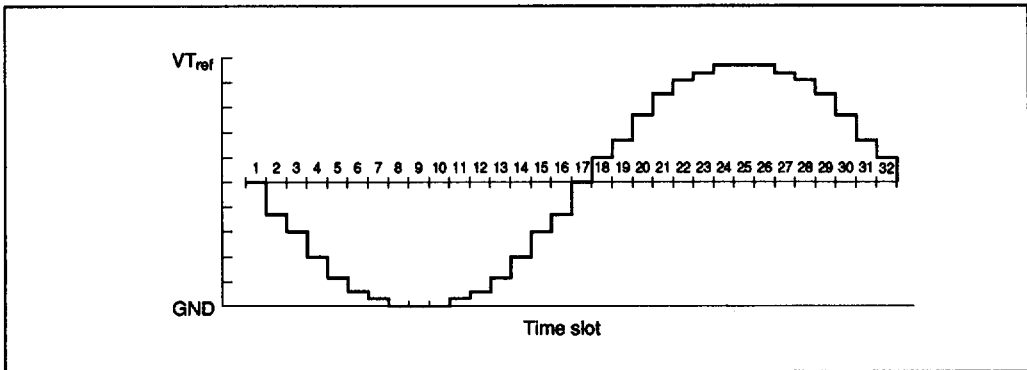
Note: SSR3 is cleared only by a RESET input. SSR3 will not be cleared by a  $\overline{STOPC}$  input during stop mode, and will retain its value. SSR3 will also not be cleared upon entering stop mode.

**Figure 91 System Clock Select Register (SSR)**





**Figure 92 Tone Output Equivalent Circuit**



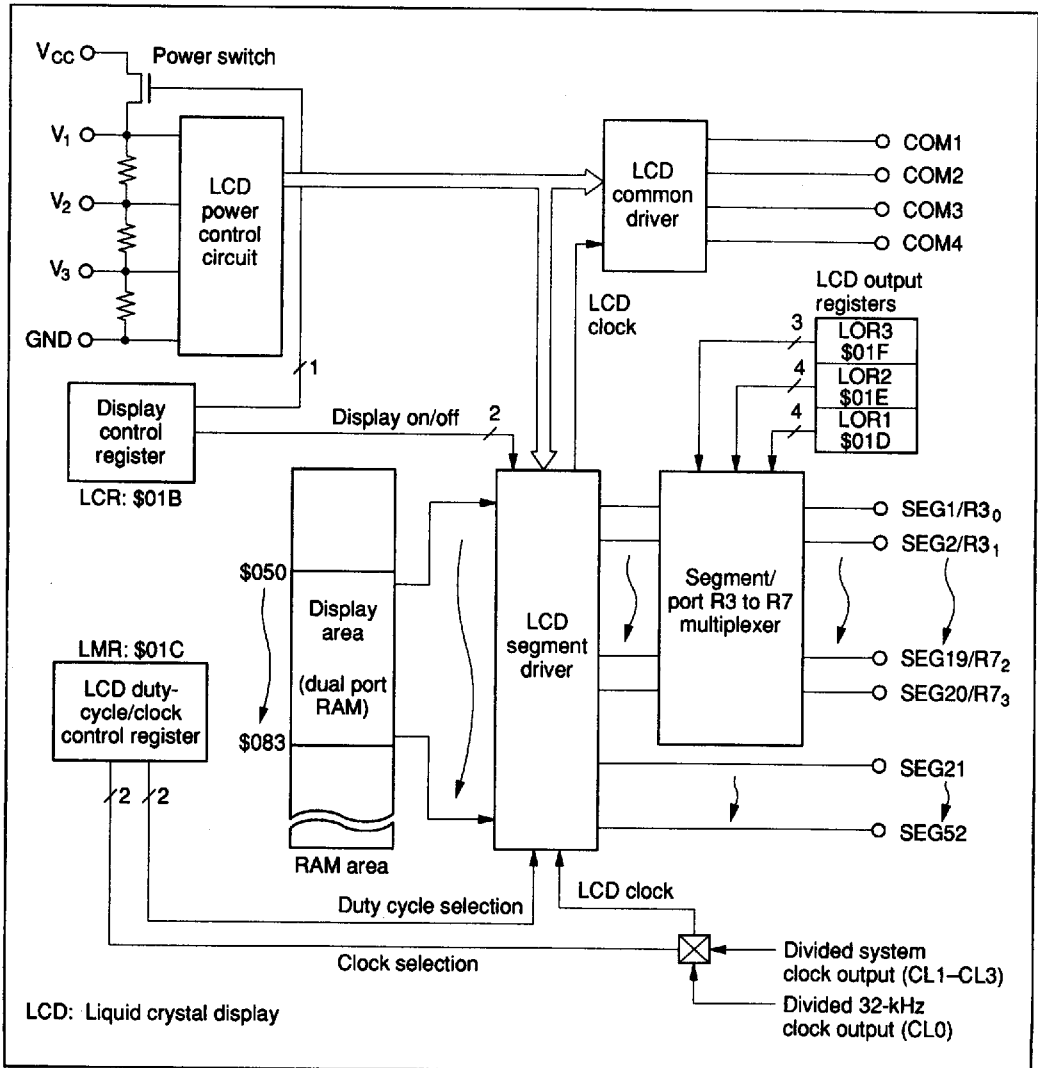
**Figure 93 Waveform of Tone Output**

**LCD Controller/Driver**

The MCU has an LCD controller and driver which drive 4 common signal pins and 52 segment pins. The controller consists of a RAM area in which display data is stored, a display control register (LCR: \$01B), and a duty-cycle/clock-control register (LMR: \$01C) (figure 94).

programmable, and a built-in dual-port RAM ensures that display data can be automatically transmitted to the segment signal pins without program intervention. If a 32-kHz oscillation clock is selected as the LCD clock source, the LCD can even be used in watch mode, in which the system clock stops.

Four duty cycles and the LCD clock are pro-



**Figure 94 Block Diagram of Liquid Crystal Display Control System**

## HD404629 Series

### LCD Data Area and Segment Data (\$050–\$083):

As shown in figure 95, each bit of the storage area corresponds to one of four duty cycles. If data is written to an area corresponding to a certain duty cycle, it is automatically output to the corresponding segments as display data.

**LCD Control Register (LCR: \$01B):** Three-bit write-only register which controls LCD blanking, on/off switching of the liquid-crystal display's power supply division resistor, and display in watch and subactive modes, as shown in figure 96.

- Blank/display

**Blank:** Segment signals are turned off, regardless of LCD RAM data setting.

**Display:** LCD RAM data is output as segment signals.

- Power switch on/off

**Off:** The power switch is off.

**On:** The power switch is on and  $V_1$  is  $V_{CC}$ .

- Watch/subactive mode display

**Off:** In watch and subactive modes, all common and segment pins are grounded and the liquid-crystal power switch is turned off.

**On:** In watch and subactive modes, LCD RAM data is output as segment signals.

### LCD Duty-Cycle/Clock Control Register (LMR: \$01C):

Four-bit write-only register which selects the display duty cycle and LCD clock source, as shown in figure 97. The dependence of frame frequency on duty cycle is listed in table 31.

**LCD Output Register 1 (LOR1: \$01D):** Write-only register used to specify ports  $R3_0$ – $R3_3$  as pins SEG1–SEG4 by individual pins (figure 98).

	Bit 3	Bit 2	Bit 1	Bit 0		Bit 3	Bit 2	Bit 1	Bit 0	
80	SEG1	SEG1	SEG1	SEG1	\$050	106	SEG27	SEG27	SEG27	\$06A
81	SEG2	SEG2	SEG2	SEG2	\$051	107	SEG28	SEG28	SEG28	\$06B
82	SEG3	SEG3	SEG3	SEG3	\$052	108	SEG29	SEG29	SEG29	\$06C
83	SEG4	SEG4	SEG4	SEG4	\$053	109	SEG30	SEG30	SEG30	\$06D
84	SEG5	SEG5	SEG5	SEG5	\$054	110	SEG31	SEG31	SEG31	\$06E
85	SEG6	SEG6	SEG6	SEG6	\$055	111	SEG32	SEG32	SEG32	\$06F
86	SEG7	SEG7	SEG7	SEG7	\$056	112	SEG33	SEG33	SEG33	\$070
87	SEG8	SEG8	SEG8	SEG8	\$057	113	SEG34	SEG34	SEG34	\$071
88	SEG9	SEG9	SEG9	SEG9	\$058	114	SEG35	SEG35	SEG35	\$072
89	SEG10	SEG10	SEG10	SEG10	\$059	115	SEG36	SEG36	SEG36	\$073
90	SEG11	SEG11	SEG11	SEG11	\$05A	116	SEG37	SEG37	SEG37	\$074
91	SEG12	SEG12	SEG12	SEG12	\$05B	117	SEG38	SEG38	SEG38	\$075
92	SEG13	SEG13	SEG13	SEG13	\$05C	118	SEG39	SEG39	SEG39	\$076
93	SEG14	SEG14	SEG14	SEG14	\$05D	119	SEG40	SEG40	SEG40	\$077
94	SEG15	SEG15	SEG15	SEG15	\$05E	120	SEG41	SEG41	SEG41	\$078
95	SEG16	SEG16	SEG16	SEG16	\$05F	121	SEG42	SEG42	SEG42	\$079
96	SEG17	SEG17	SEG17	SEG17	\$060	122	SEG43	SEG43	SEG43	\$07A
97	SEG18	SEG18	SEG18	SEG18	\$061	123	SEG44	SEG44	SEG44	\$07B
98	SEG19	SEG19	SEG19	SEG19	\$062	124	SEG45	SEG45	SEG45	\$07C
99	SEG20	SEG20	SEG20	SEG20	\$063	125	SEG46	SEG46	SEG46	\$07D
100	SEG21	SEG21	SEG21	SEG21	\$064	126	SEG47	SEG47	SEG47	\$07E
101	SEG22	SEG22	SEG22	SEG22	\$065	127	SEG48	SEG48	SEG48	\$07F
102	SEG23	SEG23	SEG23	SEG23	\$066	128	SEG49	SEG49	SEG49	\$080
103	SEG24	SEG24	SEG24	SEG24	\$067	129	SEG50	SEG50	SEG50	\$081
104	SEG25	SEG25	SEG25	SEG25	\$068	130	SEG51	SEG51	SEG51	\$082
105	SEG26	SEG26	SEG26	SEG26	\$069	131	SEG52	SEG52	SEG52	\$083
	COM4	COM3	COM2	COM1		COM4	COM3	COM2	COM1	

Figure 95 Configuration of LCD RAM Area (for Dual-Port RAM)

**LCD Output Register 2 (LOR2: \$01E):** Write-only register used to specify ports R<sub>40</sub>–R<sub>43</sub> as pins SEG5–SEG8 by individual pins (figure 99).

**LCD Output Register 3 (LOR3: \$01F):** Write-only register used to specify ports R5–R7 as pins SEG9–SEG20 in 4-pin units (figure 100).

**Large Liquid-Crystal Panel Drive and V<sub>LCD</sub>:** To drive a large-capacity LCD, decrease the resistance of the built-in division resistors by attaching external resistors in parallel, as shown in figure 101.

The size of these resistors cannot be simply calcu-

lated from the LCD load capacitance because the matrix configuration of the LCD complicates the paths of charge/discharge currents flowing through the capacitors—the resistance will also vary with lighting conditions. This size must be determined by trial-and-error, taking into account the power dissipation of the device using the LCD, but a resistance of 1 to 10 kΩ would usually be suitable. (Another effective method is to attach capacitors of 0.1 to 0.3 μF.)

Always turn off the power switch (set bit 1 of the LCR to 0) before changing the liquid-crystal drive voltage (V<sub>LCD</sub>).

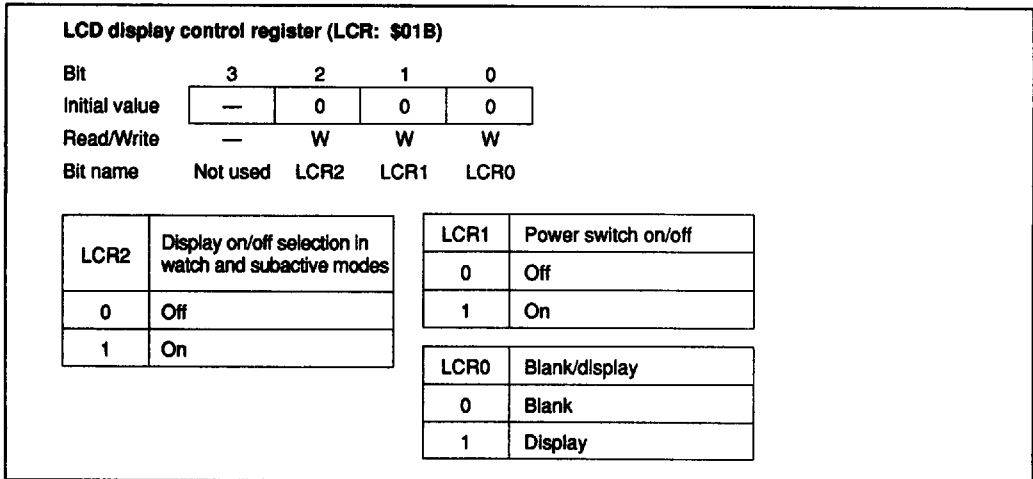


Figure 96 LCD Control Register (LCR)

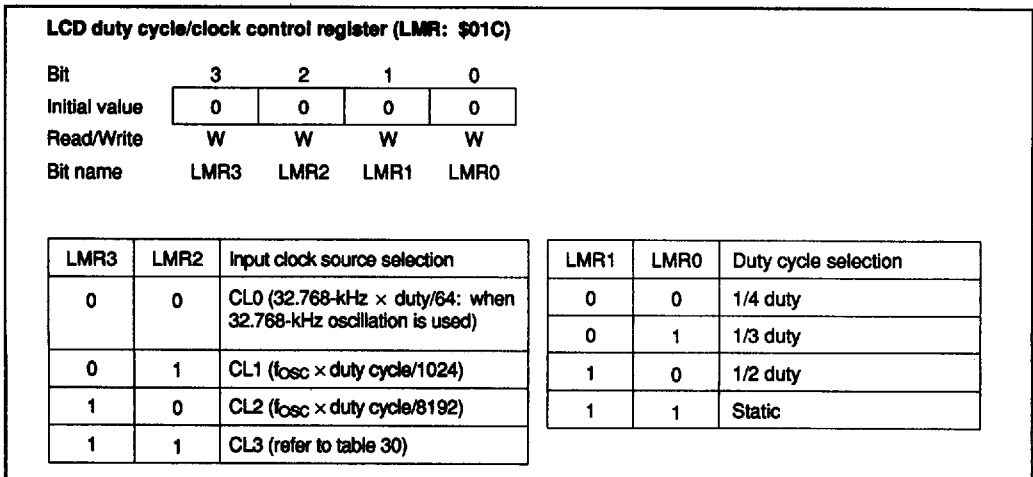


Figure 97 LCD Duty-Cycle/Clock Control Register (LMR)

# HD404629 Series

**Table 31 LCD Frame Frequencies for Different Duty Cycles**

Duty Cycle	LMR3	LMR2	Frame Frequencies				
			f <sub>osc</sub> = 400 kHz	f <sub>osc</sub> = 800 kHz	f <sub>osc</sub> = 2 MHz	f <sub>osc</sub> = 4 MHz	
Static	0	0	CL0	512 Hz			
		1	CL1	390.6 Hz	781.3 Hz	1953 Hz	3906 Hz
	1	0	CL2	48.8 Hz	97.7 Hz	244.1 Hz	488.3 Hz
		1	CL3*	24.4 Hz	48.8 Hz	122.1 Hz	244.1 Hz
				64 Hz			
1/2	0	0	CL0	256 Hz			
		1	CL1	195.3 Hz	390.6 Hz	976.6 Hz	1953 Hz
	1	0	CL2	24.4 Hz	48.8 Hz	122.1 Hz	244.1 Hz
		1	CL3*	12.2 Hz	24.4 Hz	61 Hz	122.1 Hz
				32 Hz			
1/3	0	0	CL0	170.7 Hz			
		1	CL1	130.2 Hz	260.4 Hz	651 Hz	1302 Hz
	1	0	CL2	16.3 Hz	32.6 Hz	81.4 Hz	162.8 Hz
		1	CL3*	8.1 Hz	16.3 Hz	40.7 Hz	81.4 Hz
				21.3 Hz			
1/4	0	0	CL0	128 Hz			
		1	CL1	97.7 Hz	195.3 Hz	488.3 Hz	976.6 Hz
	1	0	CL2	12.2 Hz	24.4 Hz	61 Hz	122.1 Hz
		1	CL3*	6.1 Hz	12.2 Hz	30.5 Hz	61 Hz
				16 Hz			

Note: \* The division ratio depends on the value of bit 3 of timer mode register A (TMA).

Upper value: When TMA3 = 0, CL3 = f<sub>OSC</sub> × duty cycle/16384.

Lower value: When TMA3 = 1, CL3 = 32.768 kHz × duty cycle/512.

**LCD output register 1 (LOR1: \$01D)**

Bit	3	2	1	0
Initial value	0	0	0	0
Read/Write	W	W	W	W
Bit name	LOR13	LOR12	LOR11	LOR10

LOR13	R3 <sub>3</sub> /SEG4 mode selection
0	R3 <sub>3</sub>
1	SEG4

LOR11	R3 <sub>1</sub> /SEG2 mode selection
0	R3 <sub>1</sub>
1	SEG2

LOR12	R3 <sub>2</sub> /SEG3 mode selection
0	R3 <sub>2</sub>
1	SEG3

LOR10	R3 <sub>0</sub> /SEG1 mode selection
0	R3 <sub>0</sub>
1	SEG1

**Figure 98 LCD Output Register 1 (LOR1)**

**LCD output register 2 (LOR2: \$01E)**

Bit	3	2	1	0
Initial value	0	0	0	0
Read/Write	W	W	W	W
Bit name	LOR23	LOR22	LOR21	LOR20

LOR23	R4 <sub>3</sub> /SEG8 mode selection
0	R4 <sub>3</sub>
1	SEG8

LOR21	R4 <sub>1</sub> /SEG6 mode selection
0	R4 <sub>1</sub>
1	SEG6

LOR22	R4 <sub>2</sub> /SEG7 mode selection
0	R4 <sub>2</sub>
1	SEG7

LOR20	R4 <sub>0</sub> /SEG5 mode selection
0	R4 <sub>0</sub>
1	SEG5

**Figure 99 LCD Output Register 2 (LOR2)**

## LCD output register 3 (LOR3: \$01F)

Bit	3	2	1	0
Initial value	—	0	0	0
Read/Write	—	W	W	W
Bit name	Not used	LOR32	LOR31	LOR30

LOR32	R7/SEG17–SEG20 mode selection
0	R7
1	SEG17–SEG20

LOR30	R5/SEG9–SEG12 mode selection
0	R5
1	SEG9–SEG12

LOR31	R6/SEG13–SEG16 mode selection
0	R6
1	SEG13–SEG16

**Figure 100 LCD Output Register 3 (LOR3)**

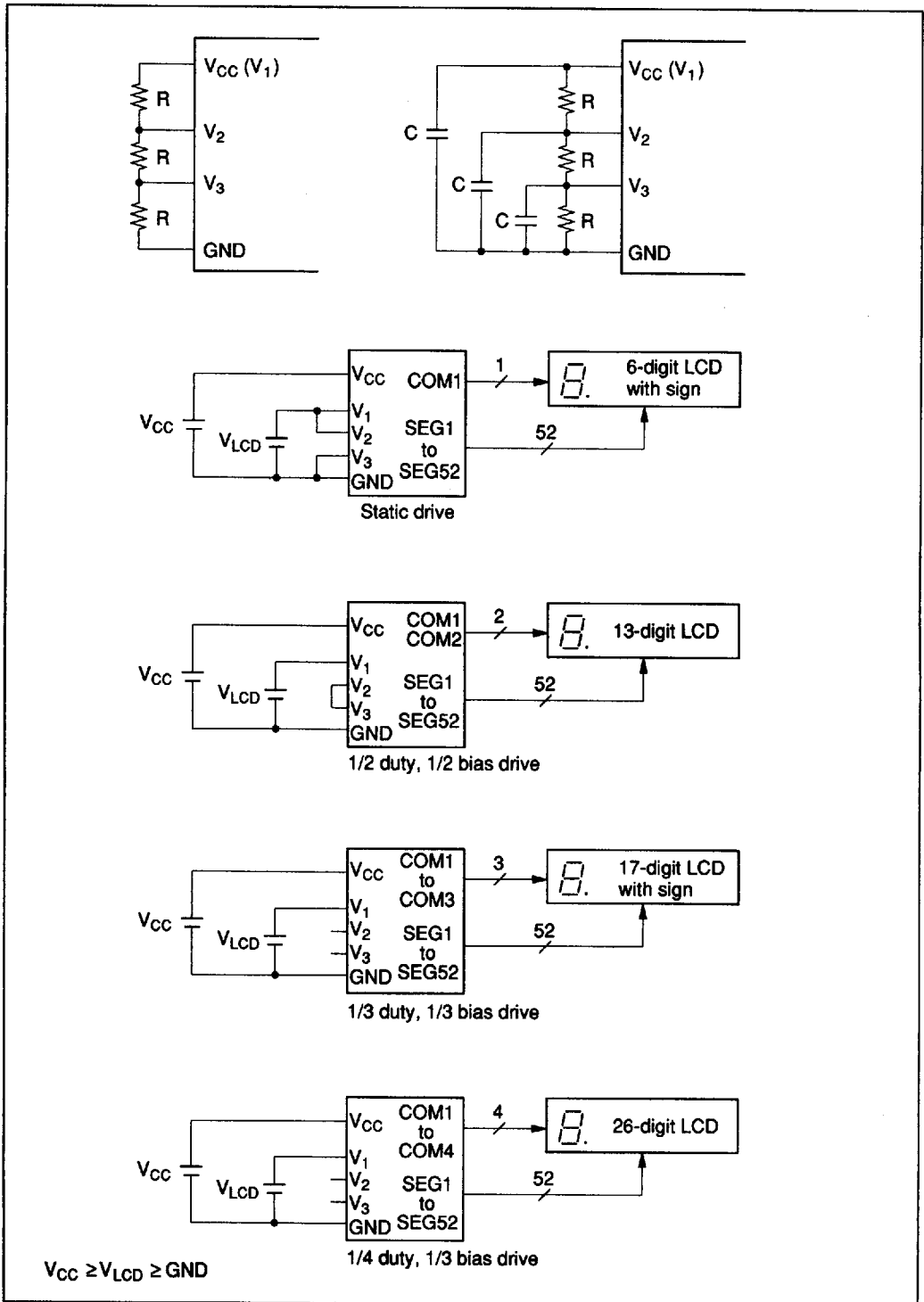


Figure 101 LCD Connection Examples



## Notes on Mounting

Assemble all parts including the HD404629 Series on a board, noting the points described below.

1. Connect layered ceramic type capacitors (about  $0.1 \mu\text{F}$ ) between  $\text{AV}_{\text{CC}}$  and  $\text{AV}_{\text{SS}}$ , between  $\text{V}_{\text{CC}}$  and  $\text{GND}$ , and between used analog pins and  $\text{AV}_{\text{SS}}$ .
2. Connect unused analog pins to  $\text{AV}_{\text{SS}}$ .

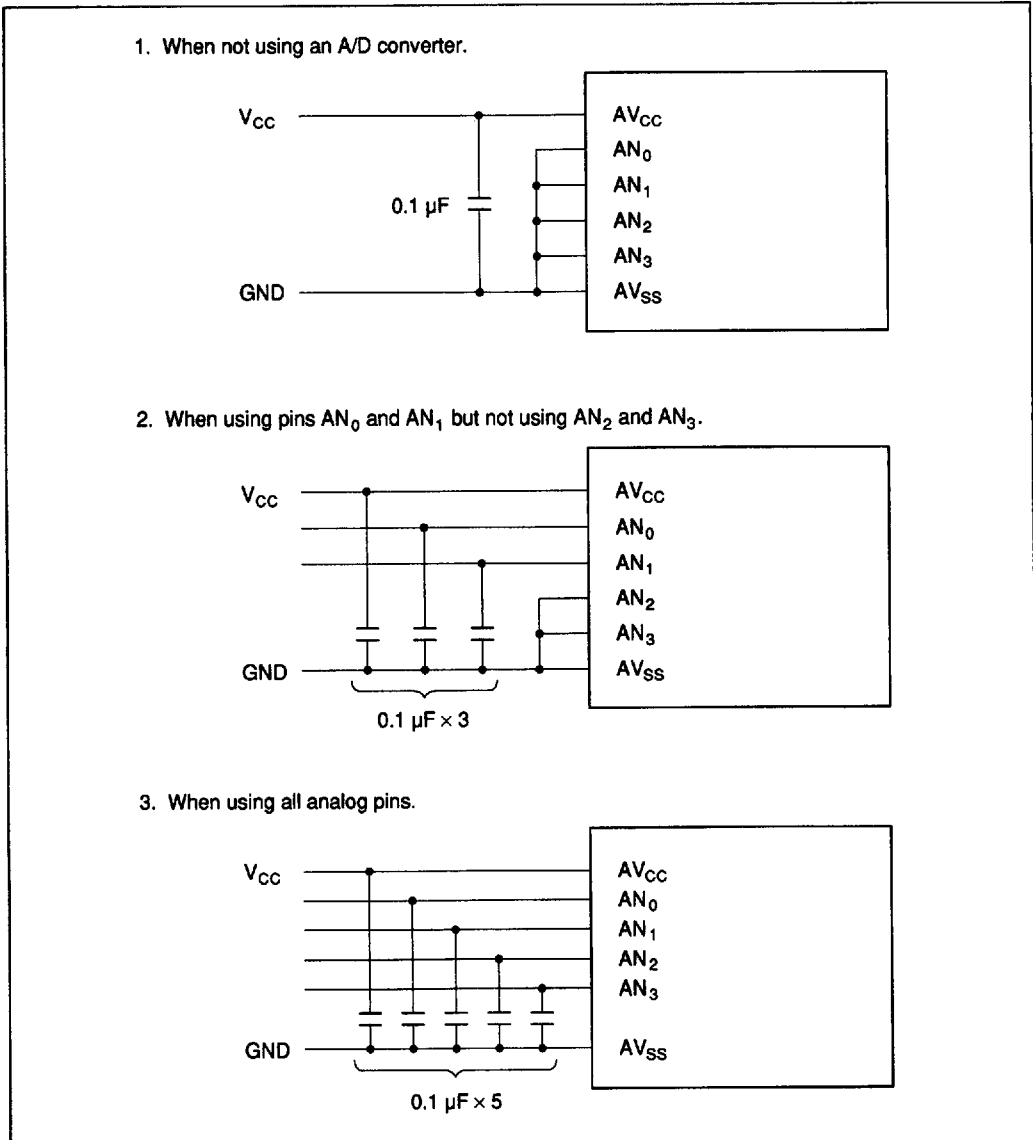
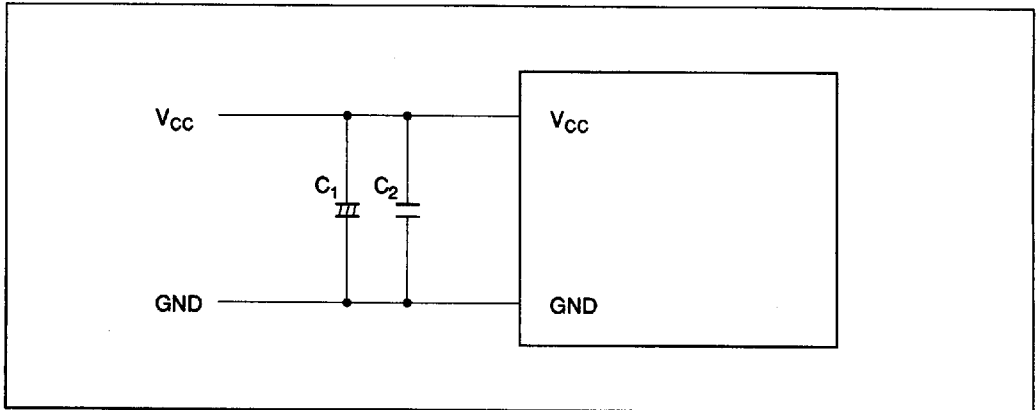


Figure 102 Example of Connections (1)

Between the  $V_{CC}$  and GND lines, connect capacitors designed for use in ordinary power supply circuits. An example connection is described in figure 103.

No resistors can be inserted in series in the power supply circuit, so the capacitors should be connected in parallel. The capacitors are a large capacitance  $C_1$  and a small capacitance  $C_2$ .



**Figure 103 Example of Connections (2)**

# HD404629 Series

## Programmable ROM (HD4074629)

The HD4074629 is a ZTAT™ microcomputer with built-in PROM that can be programmed in PROM mode.

### PROM Mode Pin Description

Pin No.		MCU Mode		PROM Mode		Pin No.		MCU Mode		PROM Mode		
FP-100B	TFP-100B	FP-100A	Pin Name	I/O	Pin Name	I/O	FP-100B	TFP-100A	Pin Name	I/O	Pin Name	I/O
1	3		AV <sub>CC</sub>		V <sub>CC</sub>		29	31	R0 <sub>3</sub> /INT <sub>4</sub>	I/O		
2	4		AN <sub>0</sub>	I			30	32	R1 <sub>0</sub> /TOB	I/O	A <sub>5</sub>	I
3	5		AN <sub>1</sub>	I			31	33	R1 <sub>1</sub> /TOC	I/O	A <sub>6</sub>	I
4	6		AN <sub>2</sub>	I			32	34	R1 <sub>2</sub> /TOD	I/O	A <sub>7</sub>	I
5	7		AN <sub>3</sub>	I			33	35	R1 <sub>3</sub> /EVNB	I/O	A <sub>8</sub>	I
6	8		AV <sub>SS</sub>		GND		34	36	R2 <sub>0</sub> /EVND	I/O	A <sub>0</sub>	I
7	9		$\overline{\text{TEST}}$	I	$\overline{\text{TEST}}$	I	35	37	R2 <sub>1</sub> /SCK	I/O	A <sub>10</sub>	I
8	10		OSC <sub>1</sub>	I	V <sub>CC</sub>		36	38	R2 <sub>2</sub> /SI	I/O	A <sub>11</sub>	I
9	11		OSC <sub>2</sub>	O			37	39	R2 <sub>3</sub> /SO	I/O	A <sub>12</sub>	I
10	12		RESET	I	RESET	I	38	40	R3 <sub>0</sub> /SEG1	I/O	A <sub>13</sub>	I
11	13		X1	I	GND		39	41	R3 <sub>1</sub> /SEG2	I/O	A <sub>14</sub>	I
12	14		X2	O			40	42	R3 <sub>2</sub> /SEG3	I/O	O <sub>0</sub>	I/O
13	15		GND		GND		41	43	R3 <sub>3</sub> /SEG4	I/O	O <sub>1</sub>	I/O
14	16		D <sub>0</sub>	I/O	$\overline{\text{CE}}$	I	42	44	R4 <sub>0</sub> /SEG5	I/O	O <sub>2</sub>	I/O
15	17		D <sub>1</sub>	I/O	$\overline{\text{OE}}$	I	43	45	R4 <sub>1</sub> /SEG6	I/O	O <sub>3</sub>	I/O
16	18		D <sub>2</sub>	I/O	V <sub>CC</sub>		44	46	R4 <sub>2</sub> /SEG7	I/O	O <sub>4</sub>	I/O
17	19		D <sub>3</sub>	I/O	V <sub>CC</sub>		45	47	R4 <sub>3</sub> /SEG8	I/O	O <sub>5</sub>	I/O
18	20		D <sub>4</sub>	I/O			46	48	R5 <sub>0</sub> /SEG9	I/O	O <sub>6</sub>	I/O
19	21		D <sub>5</sub>	I/O			47	49	R5 <sub>1</sub> /SEG10	I/O	O <sub>7</sub>	I/O
20	22		D <sub>6</sub>	I/O			48	50	R5 <sub>2</sub> /SEG11	I/O	O <sub>4</sub>	I/O
21	23		D <sub>7</sub>	I/O			49	51	R5 <sub>3</sub> /SEG12	I/O	O <sub>3</sub>	I/O
22	24		D <sub>8</sub>	I/O			50	52	R6 <sub>0</sub> /SEG13	I/O	O <sub>2</sub>	I/O
23	25		D <sub>9</sub>	I/O			51	53	R6 <sub>1</sub> /SEG14	I/O	O <sub>1</sub>	I/O
24	26		D <sub>10</sub> /STOPC	I/O	A <sub>9</sub>	I	52	54	R6 <sub>2</sub> /SEG15	I/O	O <sub>0</sub>	I/O
25	27		D <sub>11</sub> /INT <sub>0</sub>	I/O	V <sub>PP</sub>		53	55	R6 <sub>3</sub> /SEG16	I/O	V <sub>CC</sub>	
26	28		R0 <sub>0</sub> /INT <sub>1</sub>	I/O	$\overline{\text{M}}_0$	I	54	56	R7 <sub>0</sub> /SEG17	I/O	A <sub>1</sub>	I
27	29		R0 <sub>1</sub> /INT <sub>2</sub>	I/O	$\overline{\text{M}}_1$	I	55	57	R7 <sub>1</sub> /SEG18	I/O	A <sub>2</sub>	I
28	30		R0 <sub>2</sub> /INT <sub>3</sub>	I/O			56	58	R7 <sub>2</sub> /SEG19	I/O	A <sub>3</sub>	I

Notes on next page.

PROM Mode Pin Description (cont)

Pin No.		MCU Mode		PROM Mode		Pin No.		MCU Mode		PROM Mode			
FP-100B	TFP-100B	FP-100A	Pin Name	I/O	Pin Name	I/O	FP-100B	TFP-100B	FP-100A	Pin Name	I/O	Pin Name	I/O
57	59		R7 <sub>3</sub> /SEG20	I/O	A <sub>4</sub>	I	79	81		SEG42	O		
58	60		SEG21	O			80	82		SEG43	O		
59	61		SEG22	O			81	83		SEG44	O		
60	62		SEG23	O			82	84		SEG45	O		
61	63		SEG24	O			83	85		SEG46	O		
62	64		SEG25	O			84	86		SEG47	O		
63	65		SEG26	O			85	87		SEG48	O		
64	66		SEG27	O			86	88		SEG49	O		
65	67		SEG28	O			87	89		SEG50	O		
66	68		SEG29	O			88	90		SEG51	O		
67	69		SEG30	O			89	91		SEG52	O		
68	70		SEG31	O			90	92		COM1	O		
69	71		SEG32	O			91	93		COM2	O		
70	72		SEG33	O			92	94		COM3	O		
71	73		SEG34	O			93	95		COM4	O		
72	74		SEG35	O			94	96		V <sub>1</sub>			
73	75		SEG36	O			95	97		V <sub>2</sub>			
74	76		SEG37	O			96	98		V <sub>3</sub>			
75	77		SEG38	O			97	99		V <sub>CC</sub>		V <sub>CC</sub>	
76	78		SEG39	O			98	100		TONEC	O		
77	79		SEG40	O			99	1		TONER	O		
78	80		SEG41	O			100	2		VT <sub>ref</sub>			

- Notes: 1. I/O: Input/output pin, I: Input pin, O: Output pin  
 2. Each of O<sub>0</sub>-O<sub>4</sub> has two pins; before using, each pair must be connected together.

## HD404629 Series

### Programming the Built-In PROM

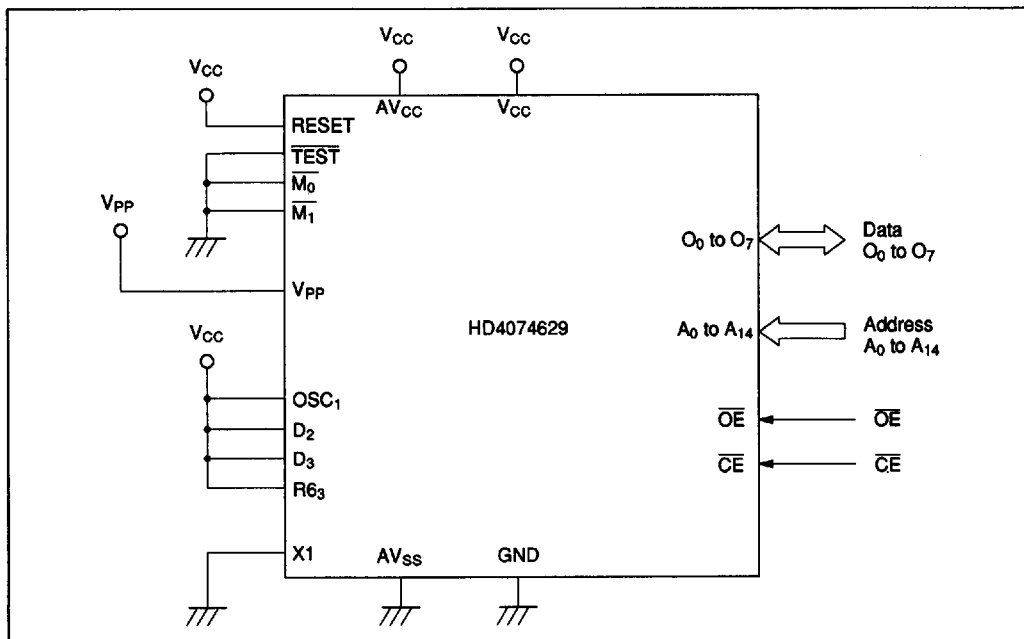
The MCU's built-in PROM is programmed in PROM mode. PROM mode is set by pulling  $\overline{\text{TEST}}$ ,  $\overline{\text{M}}_0$ , and  $\overline{\text{M}}_1$  low, and RESET high as shown in figure 104. In PROM mode, the MCU does not operate, but it can be programmed in the same way as any other commercial 27256-type EPROM using a standard PROM programmer and a 100-to-28-pin socket adapter. Recommended PROM programmers and socket adapters are listed in table 32.

Since an HMCS400-series instruction is ten bits

long, the HMCS400-series MCU has a built-in conversion circuit to enable the use of a general-purpose PROM programmer. This circuit splits each instruction into five lower bits and five upper bits that are read from or written to consecutive addresses. This means that if, for example, 16 kwords of built-in PROM are to be programmed by a general-purpose PROM programmer, a 32-kbyte address space (\$0000-\$7FFF) must be specified.

**Table 32 Recommended PROM Programmers and Socket Adapters**

PROM Programmer		Socket Adapter		
Manufacturer	Model name	Package	Model Name	Manufacturer
DATA I/O Corp.	121B, 29B	FP-100B	HS462ESH01H	Hitachi
		FP-100A	HS462ESF01H	
		TFP-100B	HS4629ESN01H	
AVAL Corp.	PKW-1000	FP-100B	HS462ESH01H	
		FP-100A	HS462ESF01H	
		TFP-100B	HS4629ESN01H	



**Figure 104 PROM Mode Connections**

## Warnings

1. Always specify addresses \$0000 to \$7FFF when programming with a PROM programmer. If address \$8000 or higher is accessed, the PROM may not be programmed or verified correctly. Set all data in unused addresses to \$FF.

Note that the plastic-package version cannot be erased and reprogrammed.

2. Make sure that the PROM programmer, socket adapter, and LSI are aligned correctly (their pin 1 positions match), otherwise overcurrents may damage the LSI. Before starting programming, make sure that the LSI is firmly fixed in the socket adapter and the socket adapter is firmly fixed onto the programmer.

3. PROM programmers have two voltages ( $V_{PP}$ ): 12.5 V and 21 V. Remember that ZTAT™ devices require a  $V_{PP}$  of 12.5 V—the 21-V setting will damage them. 12.5 V is the Intel 27256 setting.

## Programming and Verification

The built-in PROM of the MCU can be programmed at high speed without risk of voltage stress or damage to data reliability.

Programming and verification modes are selected as listed in table 33.

For details of PROM programming, refer to the following Notes on PROM Programming section.

**Table 33 PROM Mode Selection**

Mode	Pin			
	$\overline{CE}$	$\overline{OE}$	$V_{PP}$	$O_0-O_7$
Programming	Low	High	$V_{PP}$	Data input
Verification	High	Low	$V_{PP}$	Data output
Programming inhibited	High	High	$V_{PP}$	High impedance

## Addressing Modes

### RAM Addressing Modes

The MCU has three RAM addressing modes, as shown in figure 105 and described below.

**Register Indirect Addressing Mode:** The contents of the W, X, and Y registers (10 bits in total) are used as a RAM address. When the area from \$090 to \$25F is used, a bank must be selected by the bank register (V: \$03F).

**Direct Addressing Mode:** A direct addressing instruction consists of two words. The first word contains the opcode, and the contents of the second word (10 bits) are used as a RAM address.

**Memory Register Addressing Mode:** The memory registers (MR), which are located in 16 addresses from \$040 to \$04F, are accessed with the LAMR and XMRA instructions.

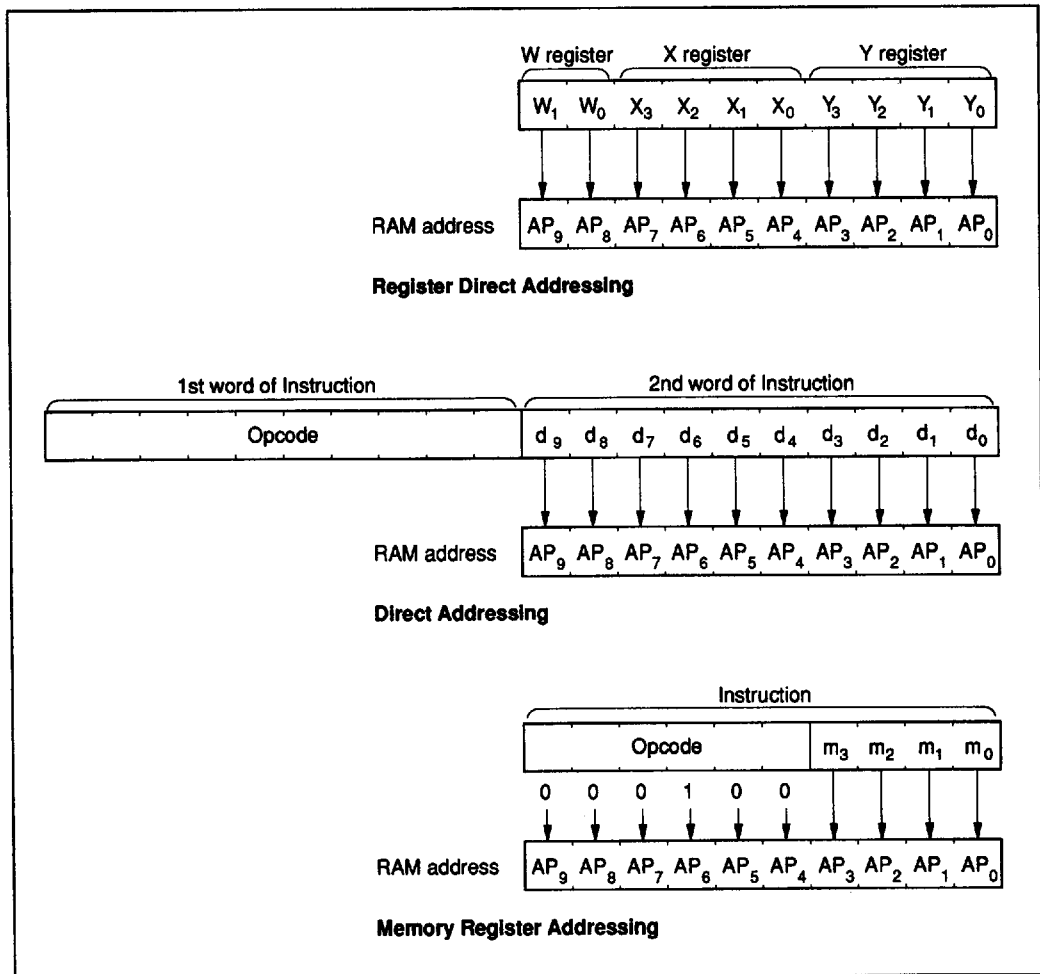


Figure 105 RAM Addressing Modes

**ROM Addressing Modes and the P Instruction**

The MCU has four ROM addressing modes, as shown in figure 106 and described below.

**Direct Addressing Mode:** A program can branch to any address in the ROM memory space by executing the JMPL, BRL, or CALL instruction. Each of these instructions replaces the 14 program counter bits (PC<sub>13</sub>–PC<sub>0</sub>) with 14-bit immediate data.

**Current Page Addressing Mode:** The MCU has 64 pages of ROM with 256 words per page. A program can branch to any address in the current page by executing the BR instruction. This instruction replaces the eight low-order bits of the program counter (PC<sub>7</sub>–PC<sub>0</sub>) with eight-bit immediate data. If the BR instruction is on a page boundary (address 256n + 255), executing that instruction transfers the PC contents to the next physical page, as shown in figure 108. This means that the execution of the BR instruction on a page boundary will make the program branch to the next page.

Note that the HMCS400-series cross macroassembler has an automatic paging feature for ROM pages.

**Zero-Page Addressing Mode:** A program can branch to the zero-page subroutine area located at \$0000–\$003F by executing the CAL instruction. When the CAL instruction is executed, 6 bits of immediate data are placed in the six low-order bits of the program counter (PC<sub>5</sub>–PC<sub>0</sub>), and 0s are placed in the eight high-order bits (PC<sub>13</sub>–PC<sub>6</sub>).

**Table Data Addressing Mode:** A program can branch to an address determined by the contents of four-bit immediate data, the accumulator, and the B register by executing the TBR instruction.

**P Instruction:** ROM data addressed in table data addressing mode can be referenced with the P instruction as shown in figure 107. If bit 8 of the ROM data is 1, eight bits of ROM data are written to the accumulator and the B register. If bit 9 is 1, eight bits of ROM data are written to the R1 and R2 port output registers. If both bits 8 and 9 are 1, ROM data is written to the accumulator and the B register, and also to the R1 and R2 port output registers at the same time.

The P instruction has no effect on the program counter.



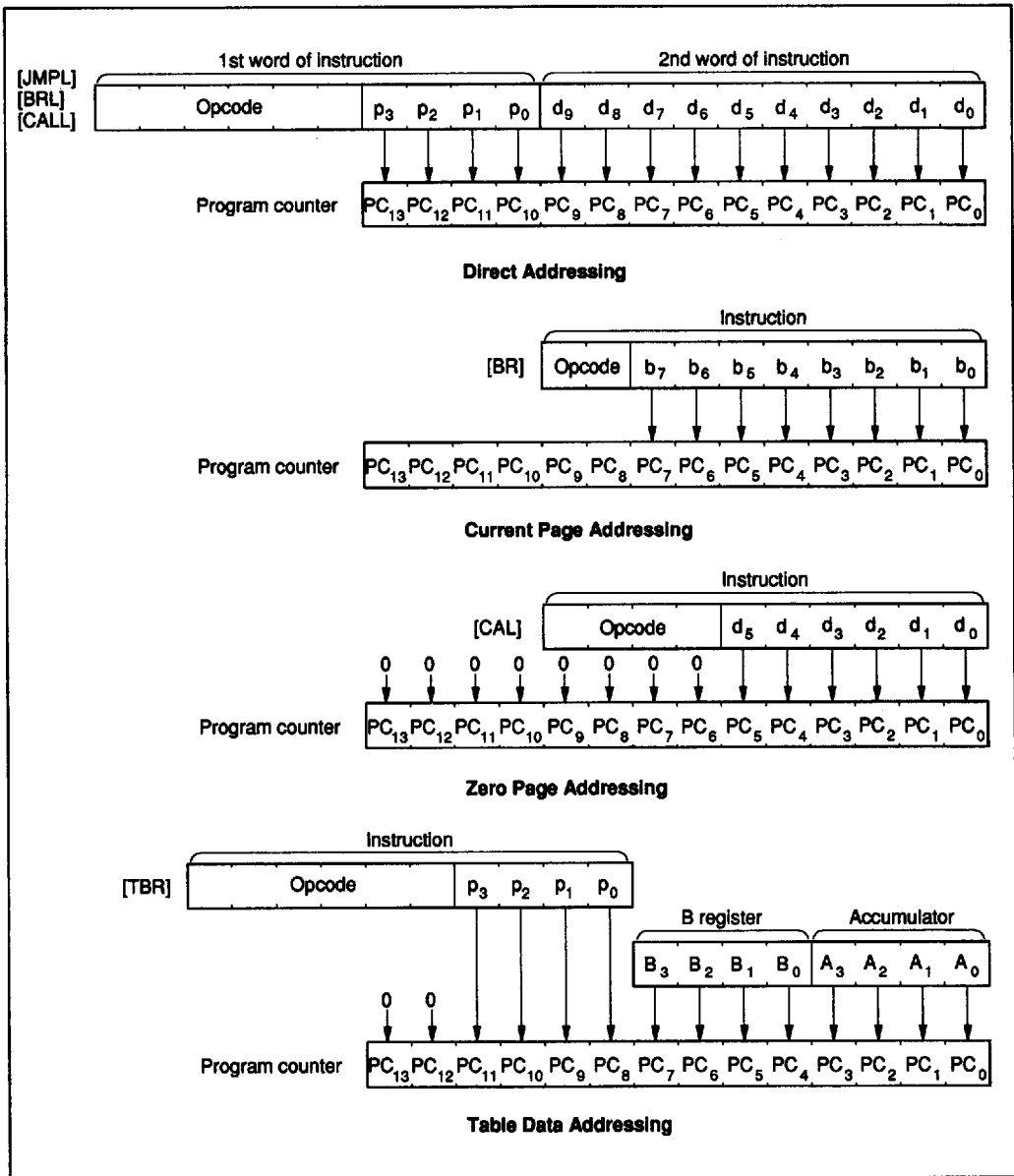


Figure 106 ROM Addressing Modes

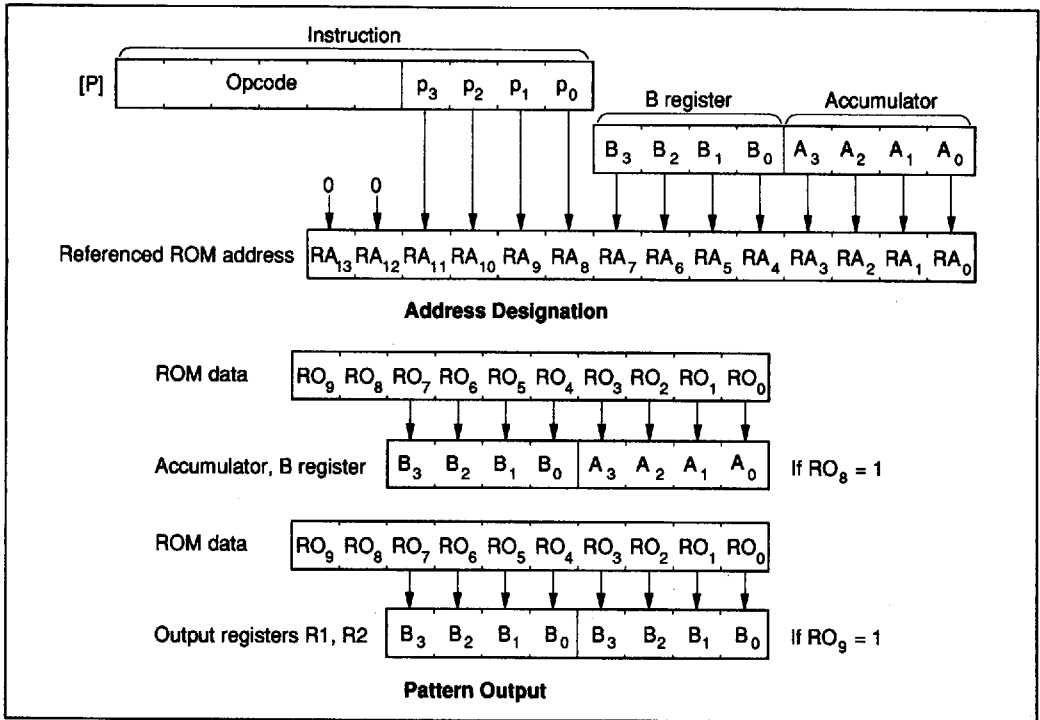


Figure 107 P Instruction

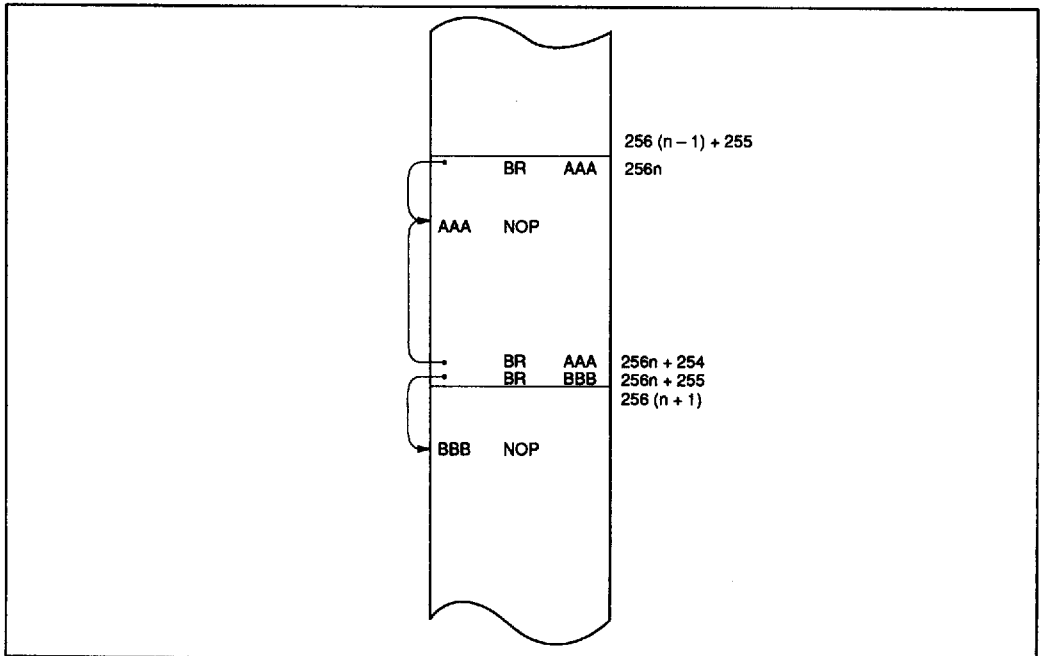


Figure 108 Branching when the Branch Destination is on a Page Boundary

## HD404629 Series

### Absolute Maximum Ratings

Item	Symbol	Value	Unit	Notes
Supply voltage	$V_{CC}$	-0.3 to +7.0	V	
Programming voltage	$V_{PP}$	-0.3 to +14.0	V	1
Pin voltage	$V_T$	-0.3 to ( $V_{CC} + 0.3$ )	V	
Total permissible input current	$\Sigma I_o$	100	mA	2
Total permissible output current	$-\Sigma I_o$	50	mA	3
Maximum input current	$I_o$	4	mA	4, 5
		30	mA	4, 6
Maximum output current	$-I_o$	4	mA	7, 8
Operating temperature	$T_{opr}$	-20 to +75	°C	
Storage temperature	$T_{stg}$	-55 to +125	°C	

Notes: Permanent damage may occur if these absolute maximum ratings are exceeded. Normal operation must be under the conditions stated in the electrical characteristics tables. If these conditions are exceeded, the LSI may malfunction or its reliability may be affected.

1. Applies to  $D_{11}$  ( $V_{PP}$ ) of the HD4074629.
2. The total permissible input current is the total of input currents simultaneously flowing in from all the I/O pins to ground.
3. The total permissible output current is the total of output currents simultaneously flowing out from  $V_{CC}$  to all I/O pins.
4. The maximum input current is the maximum current flowing from each I/O pin to ground.
5. Applies to R0-R7.
6. Applies to  $D_0$ - $D_9$ .
7. The maximum output current is the maximum current flowing out from  $V_{CC}$  to each I/O pin.
8. Applies to  $D_0$ - $D_9$  and R0-R7.

Electrical Characteristics

DC Characteristics (HD404628, HD4046212, HD404629:  $V_{CC} = 2.7$  to  $6.0$  V,  $GND = 0$  V,  $T_a = -20^\circ\text{C}$  to  $+75^\circ\text{C}$ ; HD4074629:  $V_{CC} = 2.7$  to  $5.5$  V,  $GND = 0$  V,  $T_a = -20^\circ\text{C}$  to  $+75^\circ\text{C}$ , unless otherwise specified)

Item	Symbol	Pin(s)	Min	Typ	Max	Unit	Test Condition	Notes
Input high voltage	$V_{IH}$	RESET, $\overline{\text{SCK}}$ , SI, $\overline{\text{INT}}_0$ , $\overline{\text{INT}}_1$ , $\overline{\text{INT}}_2$ , $\overline{\text{INT}}_3$ , $\overline{\text{INT}}_4$ , $\overline{\text{STOPC}}$ , $\overline{\text{EVNB}}$ , $\overline{\text{EVND}}$	$0.9V_{CC}$	—	$V_{CC} + 0.3$	V	—	
		OSC <sub>1</sub>	$V_{CC} - 0.3$	—	$V_{CC} + 0.3$	V	External clock operation	
Input low voltage	$V_{IL}$	RESET, $\overline{\text{SCK}}$ , SI, $\overline{\text{INT}}_0$ , $\overline{\text{INT}}_1$ , $\overline{\text{INT}}_2$ , $\overline{\text{INT}}_3$ , $\overline{\text{INT}}_4$ , $\overline{\text{STOPC}}$ , $\overline{\text{EVNB}}$ , $\overline{\text{EVND}}$	-0.3	—	$0.1V_{CC}$	V	—	
		OSC <sub>1</sub>	-0.3	—	0.3	V	External clock operation	
Output high voltage	$V_{OH}$	$\overline{\text{SCK}}$ , SO, TOB, TOC, TOD	$V_{CC} - 1.0$	—	—	V	$-I_{OH} = 0.5$ mA	
Output low voltage	$V_{OL}$	$\overline{\text{SCK}}$ , SO, TOB, TOC, TOD	—	—	0.4	V	$I_{OL} = 0.4$ mA	
I/O leakage current	$ I_{IL} $	RESET, $\overline{\text{SCK}}$ , SI, $\overline{\text{INT}}_0$ , $\overline{\text{INT}}_1$ , $\overline{\text{INT}}_2$ , $\overline{\text{INT}}_3$ , $\overline{\text{INT}}_4$ , $\overline{\text{STOPC}}$ , $\overline{\text{EVNB}}$ , $\overline{\text{EVND}}$ , OSC <sub>1</sub> , TOB, TOC, TOD, SO	—	—	1.0	$\mu\text{A}$	$V_{in} = 0$ V to $V_{CC}$	1
Current dissipation in active mode	$I_{CC1}$	$V_{CC}$	—	5	9	mA	$V_{CC} = 5.0$ V, $f_{OSC} = 4$ MHz	2, 4
	$I_{CC2}$	$V_{CC}$	—	0.6	1.8	mA	$V_{CC} = 3.0$ V, $f_{OSC} = 800$ kHz	2, 4
Current dissipation in standby mode	$I_{SBY1}$	$V_{CC}$	—	1.2	3	mA	$V_{CC} = 5.0$ V, $f_{OSC} = 4$ MHz, LCD on	3, 4
	$I_{SBY2}$	$V_{CC}$	—	0.2	0.7	mA	$V_{CC} = 3.0$ V, $f_{OSC} = 800$ kHz, LCD on	3, 4

Notes on next page.

## HD404629 Series

DC Characteristics (HD404628, HD4046212, HD404629:  $V_{CC} = 2.7$  to  $6.0$  V,  $GND = 0$  V,  $T_a = -20^\circ\text{C}$  to  $+75^\circ\text{C}$ ; HD4074629:  $V_{CC} = 2.7$  to  $5.5$  V,  $GND = 0$  V,  $T_a = -20^\circ\text{C}$  to  $+75^\circ\text{C}$ , unless otherwise specified) (cont)

Item	Symbol	Pin(s)	Min	Typ	Max	Unit	Test Condition	Notes
Current dissipation in subactive mode	$I_{SUB}$	$V_{CC}$	—	35	70	$\mu\text{A}$	HD404628, HD4046212, HD404629: $V_{CC} = 3.0$ V, LCD on	5
			—	70	150	$\mu\text{A}$	HD4074629: $V_{CC} = 3.0$ V, LCD on	5
Current dissipation in watch mode	$I_{WTC1}$	$V_{CC}$	—	18	40	$\mu\text{A}$	$V_{CC} = 3.0$ V, LCD on	5
	$I_{WTC2}$	$V_{CC}$	—	8	15	$\mu\text{A}$	$V_{CC} = 3.0$ V, LCD off	5
Current dissipation in stop mode	$I_{STOP}$	$V_{CC}$	—	1	10	$\mu\text{A}$	$V_{CC} = 3.0$ V, no 32-kHz oscillator	5
Stop mode retaining voltage	$V_{STOP}$	$V_{CC}$	2	—	—	V	No 32-kHz oscillator	6

- Notes:
- Output buffer current is excluded.
  - $I_{CC1}$  and  $I_{CC2}$  are the source currents when no I/O current is flowing while the MCU is in reset state.  
Test conditions: MCU: Reset  
Pins: RESET at  $V_{CC}$  ( $V_{CC} - 0.3$  V to  $V_{CC}$ )  
TEST at  $V_{CC}$  ( $V_{CC} - 0.3$  V to  $V_{CC}$ )
  - $I_{SBY1}$  and  $I_{SBY2}$  are the source currents when no I/O current is flowing while the MCU timer is operating.  
Test conditions: MCU: I/O reset  
Serial interface stopped  
DTMF stopped  
Standby mode  
Pins: RESET at GND (0 V to 0.3 V)  
TEST at  $V_{CC}$  ( $V_{CC} - 0.3$  V to  $V_{CC}$ )
  - The current dissipation is in proportion to  $f_{OSC}$  while the MCU is operating or is in standby mode. The value of the dissipation current when  $f_{OSC} = x$  MHz is given by the following equation:  
Maximum value ( $f_{OSC} = x$  MHz) =  $x/4 \times$  maximum value ( $f_{OSC} = 4$  MHz)
  - These are the source currents when no I/O current is flowing.  
Test conditions: Pins: RESET at GND (0 V to 0.3 V)  
TEST at  $V_{CC}$  ( $V_{CC} - 0.3$  V to  $V_{CC}$ )  
 $D_{11}$  ( $V_{PP}$ ) at  $V_{CC}$  ( $V_{CC} - 0.3$  V to  $V_{CC}$ ) for the HD4074629
  - RAM data retention.

## HD404629 Series

**I/O Characteristics for Standard Pins (HD404628, HD4046212, HD404629:  $V_{CC} = 2.7$  to  $6.0$  V,  $GND = 0$  V,  $T_a = -20^\circ\text{C}$  to  $+75^\circ\text{C}$ ; HD4074629:  $V_{CC} = 2.7$  to  $5.5$  V,  $GND = 0$  V,  $T_a = -20^\circ\text{C}$  to  $+75^\circ\text{C}$ , unless otherwise specified)**

Item	Symbol	Pin(s)	Min	Typ	Max	Unit	Test Condition	Note	
Input high voltage	$V_{IH}$	D <sub>10</sub> , D <sub>11</sub> , R0-R7	$0.7V_{CC}$	—	$V_{CC} + 0.3$	V	—		
Input low voltage	$V_{IL}$	D <sub>10</sub> , D <sub>11</sub> , R0-R7	-0.3	—	$0.3V_{CC}$	V	—		
Output high voltage	$V_{OH}$	R0-R7	$V_{CC} - 1.0$	—	—	V	$-I_{OH} = 0.5$ mA		
Output low voltage	$V_{OL}$	R0-R7	—	—	0.4	V	$I_{OL} = 0.4$ mA		
I/O leakage current	$ I_{IL} $	D <sub>10</sub> , R0-R7	—	—	1	$\mu\text{A}$	$V_{in} = 0$ V to $V_{CC}$	1	
			D <sub>11</sub>	—	—	1	$\mu\text{A}$	HD404628, HD4046212, HD404629: $V_{in} = 0$ V to $V_{CC}$	1
		—	—	—	—	1	$\mu\text{A}$	HD4074629: $V_{in} = V_{CC} - 0.3$ V to $V_{CC}$	1
		—	—	—	—	20	$\mu\text{A}$	HD4074629: $V_{in} = 0$ V to $0.3$ V	1
Pull-up MOS current	$-I_{PU}$	R0-R7	5	30	90	$\mu\text{A}$	$V_{CC} = 3.0$ V, $V_{in} = 0$ V		

Note: 1. Output buffer current is excluded.

**I/O Characteristics for High-Current Pins (HD404628, HD4046212, HD404629:  $V_{CC} = 2.7$  to  $6.0$  V,  $GND = 0$  V,  $T_a = -20^\circ\text{C}$  to  $+75^\circ\text{C}$ ; HD4074629:  $V_{CC} = 2.7$  to  $5.5$  V,  $GND = 0$  V,  $T_a = -20^\circ\text{C}$  to  $+75^\circ\text{C}$ , unless otherwise specified)**

Item	Symbol	Pin(s)	Min	Typ	Max	Unit	Test Condition	Note
Input high voltage	$V_{IH}$	D <sub>0</sub> -D <sub>9</sub>	$0.7V_{CC}$	—	$V_{CC} + 0.3$	V	—	
Input low voltage	$V_{IL}$	D <sub>0</sub> -D <sub>9</sub>	-0.3	—	$0.3V_{CC}$	V	—	
Output high voltage	$V_{OH}$	D <sub>0</sub> -D <sub>9</sub>	$V_{CC} - 1.0$	—	—	V	$-I_{OH} = 0.5$ mA	
Output low voltage	$V_{OL}$	D <sub>0</sub> -D <sub>9</sub>	—	—	0.4	V	$I_{OL} = 0.4$ mA	
			—	—	2.0	V	$I_{OL} = 15$ mA, $V_{CC} = 4.5$ V to $6.0$ V	1
I/O leakage current	$ I_{IL} $	D <sub>0</sub> -D <sub>9</sub>	—	—	1	$\mu\text{A}$	$V_{in} = 0$ V to $V_{CC}$	2
Pull-up MOS current	$-I_{PU}$	D <sub>0</sub> -D <sub>9</sub>	5	30	90	$\mu\text{A}$	$V_{CC} = 3$ V, $V_{in} = 0$ V	

Note: 1. The test condition of HD4074629 is  $V_{CC} = 4.5$  V to  $5.5$  V.

2. Output buffer current is excluded.

## HD404629 Series

**LCD Circuit Characteristics (HD404628, HD4046212, HD404629:  $V_{CC} = 2.7$  to  $6.0$  V,  $GND = 0$  V,  $T_a = -20^\circ\text{C}$  to  $+75^\circ\text{C}$ ; HD4074629:  $V_{CC} = 2.7$  to  $5.5$  V,  $GND = 0$  V,  $T_a = -20^\circ\text{C}$  to  $+75^\circ\text{C}$ , unless otherwise specified)**

Item	Symbol	Pin(s)	Min	Typ	Max	Unit	Test Condition	Notes
Segment driver voltage drop	$V_{DS}$	SEG1–SEG52	—	—	0.6	V	$I_{PD} = 3 \mu\text{A}$	1
Common driver voltage drop	$V_{DC}$	COM1–COM4	—	—	0.3	V	$I_{PD} = 3 \mu\text{A}$	1
LCD power supply division resistance	$R_W$	—	100	300	900	k $\Omega$	Between $V_1$ and GND	
LCD voltage	$V_{LCD}$	$V_1$	2.7	—	$V_{CC}$	V	—	2

Notes: 1.  $V_{DS}$  and  $V_{DC}$  are the voltage drops from power supply pins  $V_1$ ,  $V_2$ ,  $V_3$ , and GND to each segment pin and each common pin, respectively.

2. When  $V_{LCD}$  is supplied from an external source, the following relations must be retained:  
 $V_{CC} \geq V_1 \geq V_2 \geq V_3 \geq GND$

**DTMF Characteristics (HD404628, HD4046212, HD404629:  $V_{CC} = 2.7$  to  $6.0$  V,  $GND = 0$  V,  $T_a = -20^\circ\text{C}$  to  $+75^\circ\text{C}$ ; HD4074629:  $V_{CC} = 2.7$  to  $5.5$  V,  $GND = 0$  V,  $T_a = -20^\circ\text{C}$  to  $+75^\circ\text{C}$ , unless otherwise specified)**

Item	Symbol	Pin	Min	Typ	Max	Unit	Test Condition	Notes
Tone output voltage (1)	$V_{OR}$	TONER	500	660	—	mV <sub>rms</sub>	$V_{T_{ref}} - GND = 2.0$ V, $R_L = 100$ k $\Omega$	1
Tone output voltage (2)	$V_{OC}$	TONEC	520	690	—	mV <sub>rms</sub>	$V_{T_{ref}} - GND = 2.0$ V, $R_L = 100$ k $\Omega$	1
Tone output distortion	%DIS	—	—	3	7	%	Short circuit between TONER and TONEC, $R_L = 100$ k $\Omega$	2
Tone output ratio	dB <sub>CR</sub>	—	—	2.5	—	dB	Short circuit between TONER and TONEC, $R_L = 100$ k $\Omega$	2

Notes: 1. See figure 109.

2. See figure 110.

3. 400 kHz, 800 kHz, 2 MHz, or 4 MHz can be used as the operating frequency ( $f_{OSC}$ ).

## HD404629 Series

**A/D Converter Characteristics (HD404628, HD4046212, HD404629:  $V_{CC} = 2.7$  to  $6.0$  V,  $GND = 0$  V,  $T_a = -20^\circ\text{C}$  to  $+75^\circ\text{C}$ ; HD4074629:  $V_{CC} = 2.7$  to  $5.5$  V,  $GND = 0$  V,  $T_a = -20^\circ\text{C}$  to  $+75^\circ\text{C}$ , unless otherwise specified)**

Item	Symbol	Pin(s)	Min	Typ	Max	Unit	Test Condition	Note
Analog power voltage	$AV_{CC}$	$AV_{CC}$	$V_{CC} - 0.3$	$V_{CC}$	$V_{CC} + 0.3$	V	$AV_{CC} \geq 2.7$ V	
Analog input voltage	$AV_{in}$	$AN_0$ – $AN_3$	$AV_{SS}$	—	$AV_{CC}$	V	—	
Current between $AV_{CC}$ and $AV_{SS}$	$I_{AD}$	—	—	50	150	$\mu\text{A}$	$V_{CC} = AV_{CC} = 5.0$ V	
Analog input capacitance	$CA_{in}$	$AN_0$ – $AN_3$	—	15	—	$\text{pF}$	—	
Resolution	—	—	8	8	8	Bit	—	
Number of inputs	—	—	0	—	4	Channel	—	
Absolute accuracy	—	—	—	—	$\pm 2.0$	LSB	$T_a = 25^\circ\text{C}$ , $V_{CC} = 4.5$ – $5.5$ V	
Conversion time	—	—	34	—	67	$t_{cyc}$	—	
Input impedance	—	$AN_0$ – $AN_3$	1	—	—	$\text{M}\Omega$	$f_{OSC} = 1$ MHz, $V_{in} = 0.0$ V	



# HD404629 Series

AC Characteristics (HD404628, HD4046212, HD404629:  $V_{CC} = 2.7$  to  $6.0$  V,  $GND = 0$  V,  $T_a = -20^\circ\text{C}$  to  $+75^\circ\text{C}$ ; HD4074629:  $V_{CC} = 2.7$  to  $5.5$  V,  $GND = 0$  V,  $T_a = -20^\circ\text{C}$  to  $+75^\circ\text{C}$ , unless otherwise specified)

Item	Symbol	Pin(s)	Min	Typ	Max	Unit	Test Condition	Notes
Clock oscillation frequency	$f_{OSC}$	OSC <sub>1</sub> , OSC <sub>2</sub>	—	400	—	kHz	1/4 division	1
			—	800	—	kHz	1/4 division	1
			—	2	—	MHz	1/4 division	1
			—	4	—	MHz	1/4 division; HD404628, HD4046212, HD404629: $V_{CC} = 3.0$ to $6.0$ V; HD4074629: $V_{CC} = 3.5$ to $5.5$ V	1
		X1, X2	—	32.768	—	kHz	—	
Instruction cycle time	$t_{cyc}$	—	—	10	—	$\mu\text{s}$	$f_{OSC} = 400$ kHz	
			—	5	—	$\mu\text{s}$	$f_{OSC} = 800$ kHz	
			—	2	—	$\mu\text{s}$	$f_{OSC} = 2$ MHz	
			—	1	—	$\mu\text{s}$	$f_{OSC} = 4$ MHz; HD404628, HD4046212, HD404629: $V_{CC} = 3.0$ to $6.0$ V; HD4074629: $V_{CC} = 3.5$ to $5.5$ V	
	$t_{subcyc}$	—	—	244.14	—	$\mu\text{s}$	32-kHz oscillator, 1/8 division	
			—	122.07	—	$\mu\text{s}$	32-kHz oscillator, 1/4 division	
Oscillation stabilization time	$t_{RC}$	OSC <sub>1</sub> , OSC <sub>2</sub>	—	—	7.5	ms	Ceramic oscillator	2
		X1, X2	—	—	3	s	$T_a = -10^\circ\text{C}$ to $+60^\circ\text{C}$	3
External clock high width	$t_{CPH}$	OSC <sub>1</sub>	1100	—	—	ns	$f_{OSC} = 400$ kHz	4
			550	—	—	ns	$f_{OSC} = 800$ kHz	4
			215	—	—	ns	$f_{OSC} = 2$ MHz	4
			105	—	—	ns	$f_{OSC} = 4$ MHz	4
External clock low width	$t_{CPL}$	OSC <sub>1</sub>	1100	—	—	ns	$f_{OSC} = 400$ kHz	4
			550	—	—	ns	$f_{OSC} = 800$ kHz	4
			215	—	—	ns	$f_{OSC} = 2$ MHz	4
			105	—	—	ns	$f_{OSC} = 4$ MHz	4
External clock rise time	$t_{CPr}$	OSC <sub>1</sub>	—	—	150	ns	$f_{OSC} = 400$ kHz	4
			—	—	75	ns	$f_{OSC} = 800$ kHz	4
			—	—	35	ns	$f_{OSC} = 2$ MHz	4
			—	—	20	ns	$f_{OSC} = 4$ MHz	4

Notes on next page.

**AC Characteristics (HD404628, HD4046212, HD404629:  $V_{CC} = 2.7$  to  $6.0$  V,  $GND = 0$  V,  $T_a = -20^\circ\text{C}$  to  $+75^\circ\text{C}$ ; HD4074629:  $V_{CC} = 2.7$  to  $5.5$  V,  $GND = 0$  V,  $T_a = -20^\circ\text{C}$  to  $+75^\circ\text{C}$ , unless otherwise specified) (cont)**

Item	Symbol	Pin(s)	Min	Typ	Max	Unit	Test Condition	Notes
External clock fall time	$t_{CPf}$	OSC <sub>1</sub>	—	—	150	ns	$f_{OSC} = 400$ kHz	4
			—	—	75	ns	$f_{OSC} = 800$ kHz	4
			—	—	35	ns	$f_{OSC} = 2$ MHz	4
			—	—	20	ns	$f_{OSC} = 4$ MHz	4
INT <sub>0</sub> –INT <sub>4</sub> , EVNB, EVND high widths	$t_{IH}$	INT <sub>0</sub> –INT <sub>4</sub> , EVNB, EVND	2	—	—	$t_{cyd}$ / $t_{subcyc}$	—	5
INT <sub>0</sub> –INT <sub>4</sub> , EVNB, EVND low widths	$t_{IL}$	INT <sub>0</sub> –INT <sub>4</sub> , EVNB, EVND	2	—	—	$t_{cyd}$ / $t_{subcyc}$	—	5
RESET high width	$t_{RSTH}$	RESET	2	—	—	$t_{cyc}$	—	6
STOPC low width	$t_{STPL}$	STOPC	1	—	—	$t_{RC}$	—	7
RESET fall time	$t_{RSTf}$	RESET	—	—	20	ms	—	6
STOPC rise time	$t_{STPr}$	STOPC	—	—	20	ms	—	7
Input capacitance	$C_{in}$	All pins except D <sub>11</sub>	—	—	15	pF	$f = 1$ MHz $V_{in} = 0$ V,	
		D <sub>11</sub>	—	—	15	pF	HD404628, HD4046212, HD404629: $f = 1$ MHz, $V_{in} = 0$ V	
			—	—	180	pF	HD4074629: $f = 1$ MHz, $V_{in} = 0$ V	

- Notes:
1. If  $f_{OSC} = 400$  kHz or  $800$  kHz, bit 1 of the system clock selector register (SSR: \$029) must be set to 0 (SSR1 = 0); if  $f_{OSC} = 2$  or  $4$  MHz, the same bit must be set to 1 (SSR1 = 1).
  2. The oscillation stabilization time is the period required for the oscillator to stabilize after  $V_{CC}$  reaches  $2.7$  V at power-on, or after RESET input goes high or STOPC input goes low when stop mode is cancelled. At power-on or when stop mode is cancelled, RESET or STOPC must be input for at least  $t_{RC}$  to ensure the oscillation stabilization time. If using a ceramic oscillator, contact its manufacturer to determine what stabilization time is required since it will depend on the circuit constants and stray capacitances.
  3. The oscillation stabilization time is the period required for the oscillator to stabilize after  $V_{CC}$  reaches  $2.7$  V at power-on, or after RESET input goes high or STOPC input goes low when stop mode is cancelled. Contact the manufacturer of the crystal oscillator used to determine what stabilization time is required since it will depend on the circuit constants and stray capacitances.
  4. Refer to figure 111.
  5. Refer to figure 112. The  $t_{cyc}$  unit applies when the MCU is in standby or active mode. The  $t_{subcyc}$  unit applies when the MCU is in watch or subactive mode.
  6. Refer to figure 113.
  7. Refer to figure 114.

## HD404629 Series

Serial Interface Timing Characteristics (HD404628, HD4046212, HD404629:  $V_{CC} = 2.7$  to  $6.0$  V,  $GND = 0$  V,  $T_a = -20^{\circ}\text{C}$  to  $+75^{\circ}\text{C}$ ; HD4074629:  $V_{CC} = 2.7$  to  $5.5$  V,  $GND = 0$  V,  $T_a = -20^{\circ}\text{C}$  to  $+75^{\circ}\text{C}$ , unless otherwise specified)

### During Transmit Clock Output

Item	Symbol	Pin	Min	Typ	Max	Unit	Test Condition	Note
Transmit clock cycle time	$t_{\text{Scyc}}$	SCK	1.0	—	—	$t_{\text{cyc}}$	Load shown in figure 116	1
Transmit clock high width	$t_{\text{SCKH}}$	SCK	0.5	—	—	$t_{\text{Scyc}}$	Load shown in figure 116	1
Transmit clock low width	$t_{\text{SCKL}}$	SCK	0.5	—	—	$t_{\text{Scyc}}$	Load shown in figure 116	1
Transmit clock rise time	$t_{\text{SCKr}}$	SCK	—	—	200	ns	Load shown in figure 116	1
Transmit clock fall time	$t_{\text{SCKf}}$	SCK	—	—	200	ns	Load shown in figure 116	1
Serial output data delay time	$t_{\text{DSO}}$	SO	—	—	500	ns	Load shown in figure 116	1
Serial input data setup time	$t_{\text{SSI}}$	SI	300	—	—	ns	—	1
Serial input data hold time	$t_{\text{HSI}}$	SI	300	—	—	ns	—	1

Note: 1. Refer to figure 115.

### During Transmit Clock Input

Item	Symbol	Pin	Min	Typ	Max	Unit	Test Condition	Note
Transmit clock cycle time	$t_{\text{Scyc}}$	SCK	1.0	—	—	$t_{\text{cyc}}$	—	1
Transmit clock high width	$t_{\text{SCKH}}$	SCK	0.5	—	—	$t_{\text{Scyc}}$	—	1
Transmit clock low width	$t_{\text{SCKL}}$	SCK	0.5	—	—	$t_{\text{Scyc}}$	—	1
Transmit clock rise time	$t_{\text{SCKr}}$	SCK	—	—	200	ns	—	1
Transmit clock fall time	$t_{\text{SCKf}}$	SCK	—	—	200	ns	—	1
Serial output data delay time	$t_{\text{DSO}}$	SO	—	—	500	ns	Load shown in figure 116	1
Serial input data setup time	$t_{\text{SSI}}$	SI	300	—	—	ns	—	1
Serial input data hold time	$t_{\text{HSI}}$	SI	300	—	—	ns	—	1

Note: 1. Refer to figure 115.

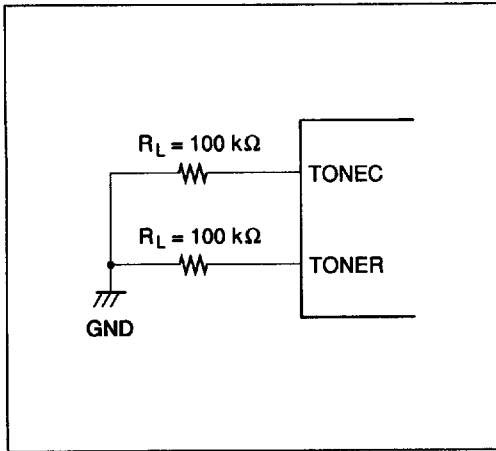


Figure 109 Tone Output Load Circuit

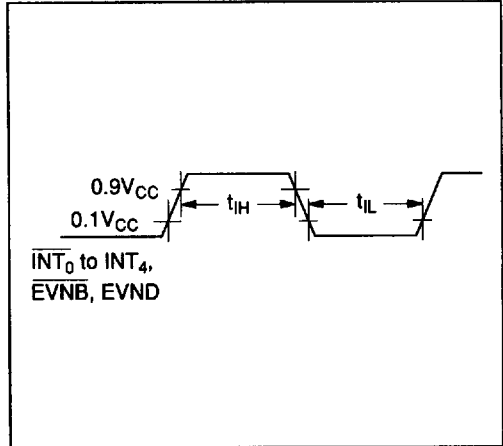


Figure 112 Interrupt Timing

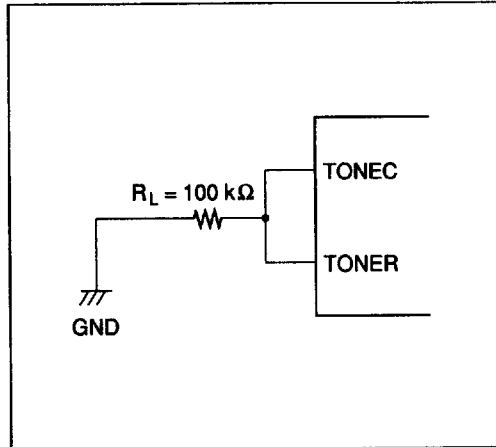


Figure 110 Distortion and  $dB_{CR}$  Load Circuit

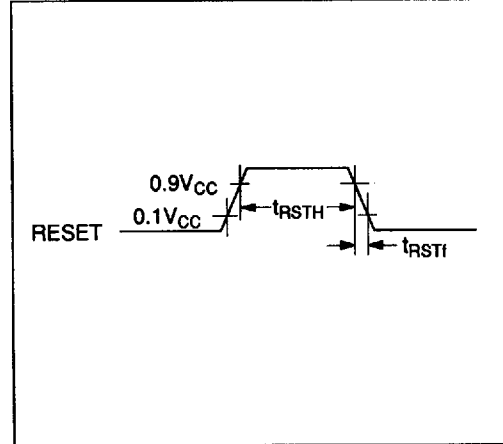


Figure 113 Reset Timing

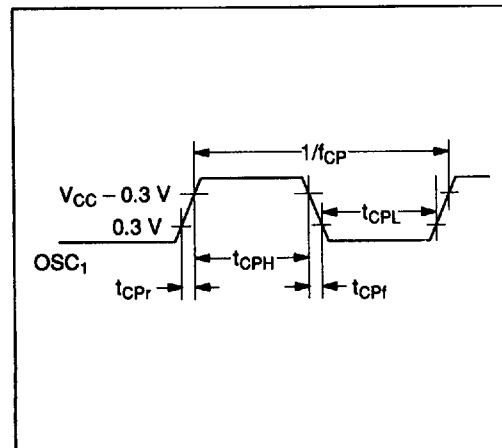


Figure 111 External Clock Timing

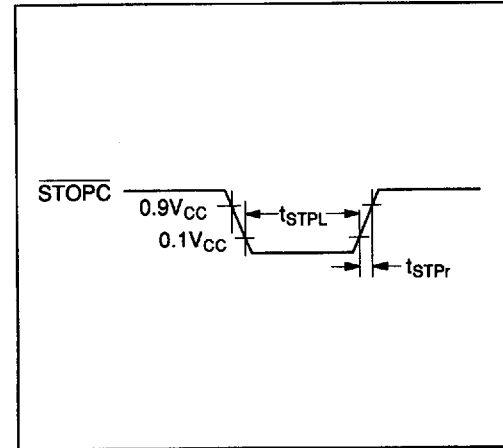
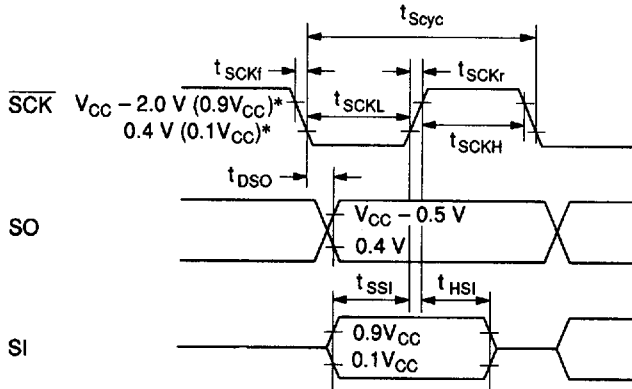
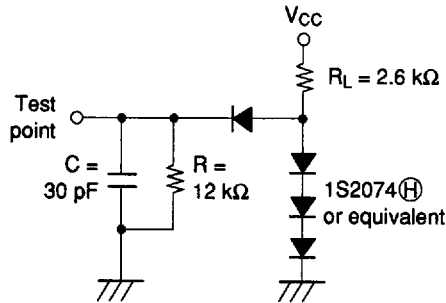


Figure 114 STOPC Timing



Note: \*  $V_{CC} - 2.0\text{ V}$  and  $0.4\text{ V}$  are the threshold voltages for transmit clock output, and  $0.9V_{CC}$  and  $0.1V_{CC}$  are the threshold voltages for transmit clock input.

**Figure 115 Serial Interface Timing**



**Figure 116 Timing Load Circuit**

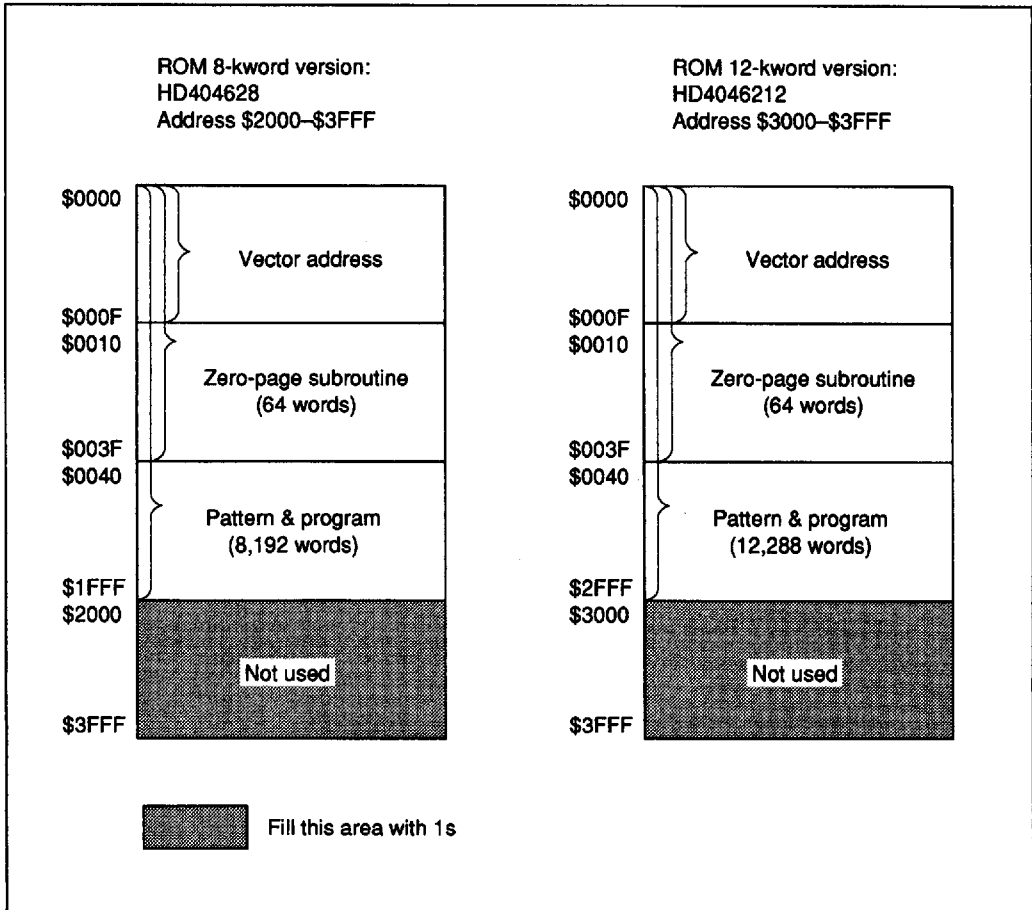
**Notes on ROM Out**

Please pay attention to the following items regarding ROM out.

On ROM out, fill the ROM area indicated below with 1s to create the same data size as a 16-kword version (HD404629). A 16-kword data size is

required to change ROM data to mask manufacturing data since the program used is for a 16-kword version.

This limitation applies when using an EPROM or a data base.



# HD404629 Series

## HD404629 Option List

Please check off the appropriate applications and enter the necessary information.

Date of order	/ /
Customer	
Department	
Name	
ROM code name	
LSI number	

### 1. ROM Size

<input type="checkbox"/> HD404628	8-kword
<input type="checkbox"/> HD4046212	12-kword
<input type="checkbox"/> HD404629	16-kword

### 2. Optional Functions

* <input type="checkbox"/> With 32-kHz CPU operation, with time-base for clock
* <input type="checkbox"/> Without 32-kHz CPU operation, with time-base for clock
<input type="checkbox"/> Without 32-kHz CPU operation, without time-base

Note: \* Options marked with an asterisk require a subsystem crystal oscillator (X1, X2).

### 3. ROM Code Media

Please specify the first type below (the upper bits and lower bits are mixed together), when using the EPROM on-package microcomputer type (including ZTAT™ version).

<input type="checkbox"/> EPROM: The upper bits and lower bits are mixed together. The upper five bits and lower five bits are programmed to the same EPROM in alternating order (i.e., LULULU...).
<input type="checkbox"/> EPROM: The upper bits and lower bits are separated. The upper five bits and lower five bits are programmed to different EPROMS.

### 4. Oscillator for OSC1 and OSC2

<input type="checkbox"/> Ceramic oscillator	f =	MHz
<input type="checkbox"/> External clock	f =	MHz

### 5. Stop Mode

<input type="checkbox"/> Used
<input type="checkbox"/> Not used

### 5. Package

<input type="checkbox"/> FP-100B
<input type="checkbox"/> FP-100A
<input type="checkbox"/> TFP-100B