

# HD74AC166/HD74ACT166

## 8-bit Shift Register

# HITACHI

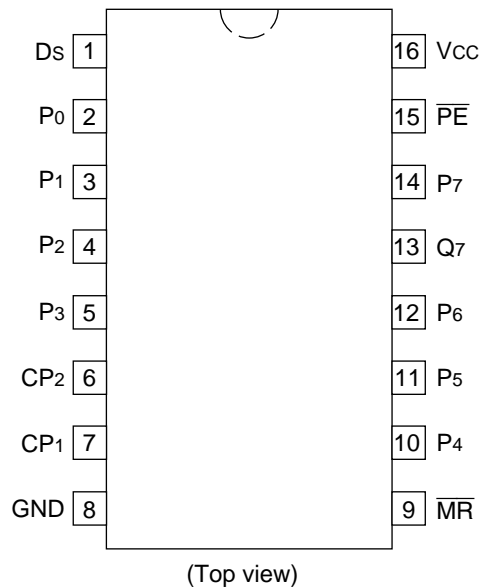
### Description

The HD74AC166/HD74ACT166 is an 8-bit, serial or parallel-in, serial-out shift register using edge triggered D-type flip-flops. Serial and parallel entry are synchronous, with state changes initiated by the rising edge of the clock. An asynchronous Master Reset overrides other inputs and clears all flip-flops. The circuit can be clocked from two sources or one CP input can be used to trigger the other.

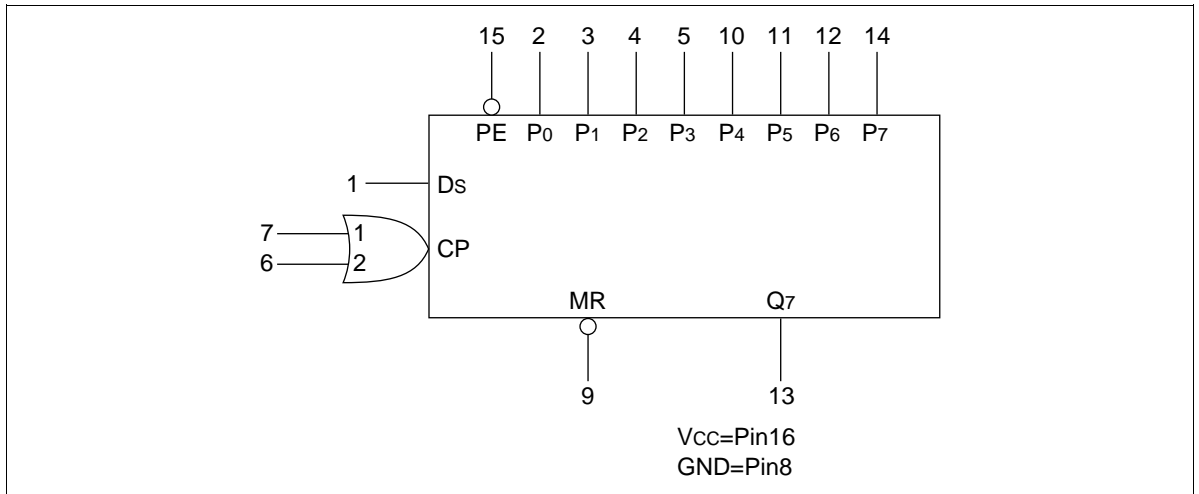
### Features

- Outputs Source/Sink 24 mA
- HD74ACT166 has TTL-Compatible Inputs

### Pin Arrangement



## Logic Symbol



## Pin Names

- CP<sub>1</sub>, CP<sub>2</sub> Clock Pulse Inputs (Active Rising Edge)
- D<sub>S</sub> Serial Data Input
- $\overline{PE}$  Parallel Enable Input (Active Low)
- P<sub>0</sub> to P<sub>7</sub> Parallel Data Inputs
- $\overline{MR}$  Asynchronous Master Reset Input (Active Low)
- Q<sub>7</sub> Last Stage Output

## Functional Description

Operation is synchronous (except for Master Reset) and state changes are initiated by the rising edge of either clock input if the other clock input is Low. When one of the clock inputs is used as an active High clock inhibit, it should attain the High state while the other clock is still in the High state following the previous operation. When the Parallel Enable ( $\overline{PE}$ ) input is Low, data is loaded into the register from the Parallel Data (P<sub>0</sub> to P<sub>7</sub>) inputs on the next rising edge of the clock. When  $\overline{PE}$  is High, information is shifted from the Serial Data (D<sub>S</sub>) input to Q<sub>0</sub> and all data in the register is shifted one bit position (i.e., Q<sub>0</sub> → Q<sub>1</sub>, Q<sub>1</sub> → Q<sub>2</sub>, etc.) on the rising edge of the clock.

**Truth Table**

**Inputs**

$\overline{MR}$	$\overline{PE}$	$CP_2$	$CP_1$	$D_s$	Parallel	Internal Outputs		Output
					$P_0$ to $P_7$	$Q_0$	$Q_6$	$Q_7$
L	X	X	X	X	X	L	L	L
H	X	L	L	X	X	$Q_{A0}$	$Q_{B0}$	$Q_{H0}$
H	L	L	$\lrcorner$	X	$a \dots h$	a	b	h
H	H	L	$\lrcorner$	H	X	H	$Q_{An}$	$Q_{Gn}$
H	H	L	$\lrcorner$	L	X	L	$Q_{An}$	$Q_{Gn}$
H	X	H	$\lrcorner$	X	X	$Q_{A0}$	$Q_{B0}$	$Q_{H0}$

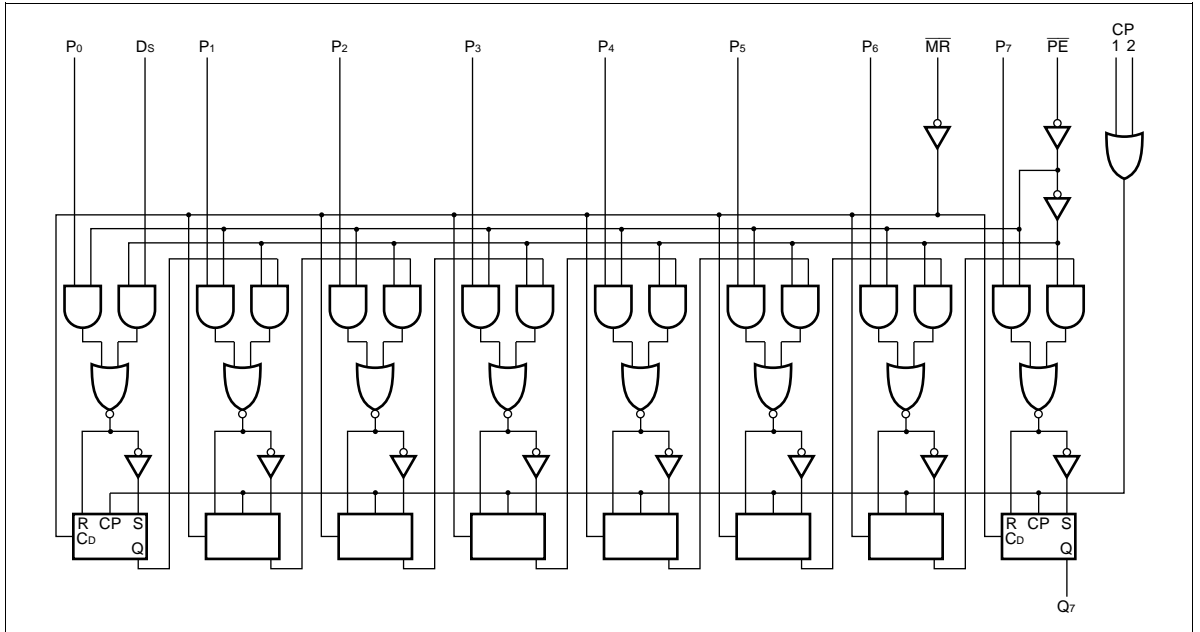
H : High Voltage Level

L : Low Voltage Level

X : Immaterial

$\lrcorner$  : Low-to-High Clock Transition

**Logic Diagram**



# HD74AC166/HD74ACT166

## DC Characteristics (unless otherwise specified)

Item	Symbol	Max	Unit	Condition
Maximum quiescent supply current	$I_{CC}$	80	$\mu\text{A}$	$V_{IN} = V_{CC}$ or ground, $V_{CC} = 5.5 \text{ V}$ , $T_a = \text{Worst case}$
Maximum quiescent supply current	$I_{CC}$	8.0	$\mu\text{A}$	$V_{IN} = V_{CC}$ or ground, $V_{CC} = 5.5 \text{ V}$ , $T_a = 25^\circ\text{C}$
Maximum additional $I_{CC}$ /input (HD74ACT166)	$I_{CCT}$	1.5	mA	$V_{IN} = V_{CC} - 2.1 \text{ V}$ , $V_{CC} = 5.5 \text{ V}$ , $T_a = \text{Worst case}$

## AC Characteristics: HD74AC166

Item	Symbol	$V_{CC} \text{ (V)}^{*1}$	$T_a = +25^\circ\text{C}$ $C_L = 50 \text{ pF}$			$T_a = -40^\circ\text{C to } +85^\circ\text{C}$ $C_L = 50 \text{ pF}$		Unit
			Min	Typ	Max	Min	Max	
Maximum clock frequency	$f_{max}$	3.3	75	—	—	65	—	MHz
		5.0	100	—	—	80	—	
Propagation delay $CP_1$ or $CP_2$ to $Q_7$	$t_{PLH}$	3.3	1.0	11.0	14.5	1.0	15.5	ns
		5.0	1.0	9.5	11.5	1.0	12.5	
Propagation delay $CP_1$ or $CP_2$ to $Q_7$	$t_{PHL}$	3.3	1.0	10.5	14.0	1.0	15.0	
		5.0	1.0	9.0	11.0	1.0	12.0	
Propagation delay $\overline{MR}$ to $Q_7$	$t_{PHL}$	3.3	1.0	9.5	12.0	1.0	13.0	
		5.0	1.0	6.5	9.0	1.0	10.0	

Note: 1. Voltage Range 3.3 is  $3.3 \text{ V} \pm 0.3 \text{ V}$   
Voltage Range 5.0 is  $5.0 \text{ V} \pm 0.5 \text{ V}$

AC Operating Requirements: HD74AC166

Item	Symbol	V <sub>CC</sub> (V)* <sup>1</sup>	Ta = +25°C C <sub>L</sub> = 50 pF		Ta = -40°C to +85°C C <sub>L</sub> = 50 pF		Unit
			Typ	Guaranteed Minimum	Typ	Guaranteed Minimum	
Setup time	t <sub>su</sub>	3.3	3.0	5.5	6.0	ns	
$\overline{PE}$ or P <sub>n</sub> or D <sub>s</sub> to CP <sub>n</sub>		5.0	2.0	4.0	4.5		
Hold time	t <sub>h</sub>	3.3	-1.5	3.0	3.0		
CP <sub>n</sub> to $\overline{PE}$ or P <sub>n</sub> or D <sub>s</sub>		5.0	-0.5	3.0	3.0		
Pulse width	t <sub>w</sub>	3.3	2.0	5.5	7.0		
CP <sub>n</sub> or $\overline{MR}$		5.0	2.0	4.5	5.0		
Recovery time	t <sub>rec</sub>	3.3	-2.5	0.0	0.0		
$\overline{MR}$ to CP <sub>n</sub>		5.0	-1.5	0.0	0.0		

Note: 1. Voltage Range 3.3 is 3.3 V ± 0.3 V  
Voltage Range 5.0 is 5.0 V ± 0.5 V

AC Characteristics: HD74ACT166

Item	Symbol	V <sub>CC</sub> (V)* <sup>1</sup>	Ta = +25°C C <sub>L</sub> = 50 pF			Ta = -40°C to +85°C C <sub>L</sub> = 50 pF		Unit
			Min	Typ	Max	Min	Max	
Maximum clock frequency	f <sub>max</sub>	5.0	100	—	—	80	—	MHz
Propagation delay CP <sub>n</sub> to Q <sub>7</sub>	t <sub>PLH</sub>	5.0	1.0	10.0	12.5	1.0	13.5	ns
Propagation delay CP <sub>n</sub> to Q <sub>7</sub>	t <sub>PHL</sub>	5.0	1.0	9.5	12.0	1.0	13.0	
Propagation delay $\overline{MR}$ to Q <sub>7</sub>	t <sub>PHL</sub>	5.0	1.0	8.5	11.0	1.0	12.0	

Note: 1. Voltage Range 5.0 is 5.0 V ± 0.5 V

# HD74AC166/HD74ACT166

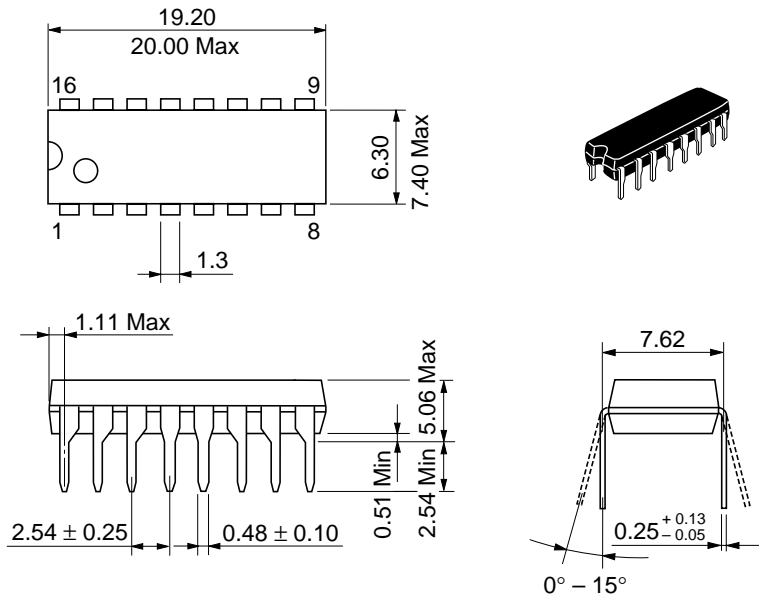
## AC Operating Requirements: HD74ACT166

Item	Symbol	$V_{CC}$ (V)*1	Ta = +25°C	Ta = -40°C		Unit
			$C_L = 50$ pF	to +85°C	$C_L = 50$ pF	
			Typ	Guaranteed Minimum		
Setup time $\overline{PE}$ or $P_n$ or $D_S$ to $CP_n$	$t_{su}$	5.0	2.5	7.0	8.0	ns
Hold time $CP_n$ to $\overline{PE}$ or $P_n$ or $D_S$	$t_h$	5.0	0.0	1.5	1.5	
Pulse width $CP_n$ or $\overline{MR}$	$t_w$	5.0	4.5	7.0	8.0	
Recovery time $\overline{MR}$ to $CP_n$	$t_{rec}$	5.0	-2.5	0.5	0.5	

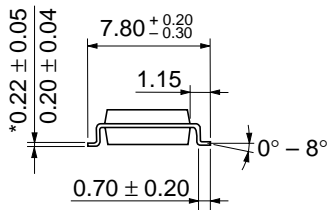
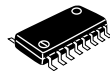
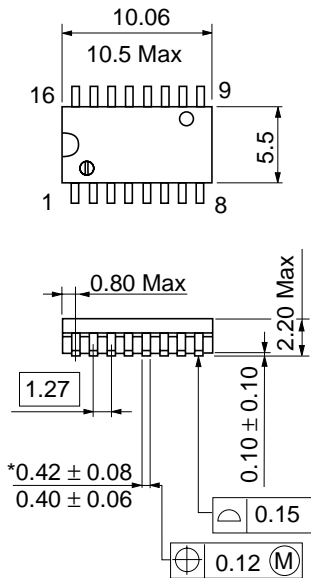
Note: 1. Voltage Range 5.0 is  $5.0\text{ V} \pm 0.5\text{ V}$

## Capacitance

Item	Symbol	Typ	Unit	Condition
Input capacitance	$C_{IN}$	4.5	pF	$V_{CC} = 5.5\text{ V}$
Power dissipation capacitance	$C_{PD}$	35.0	pF	$V_{CC} = 5.0\text{ V}$



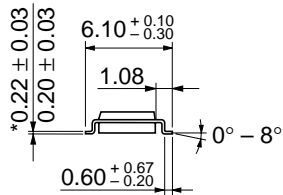
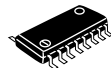
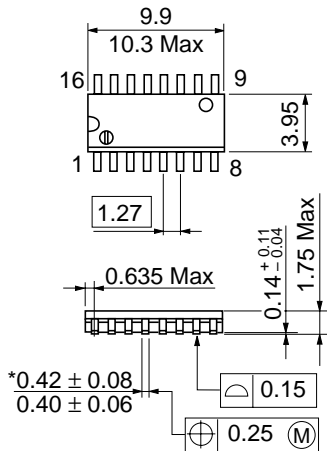
Hitachi Code	DP-16
JEDEC	Conforms
EIAJ	Conforms
Weight (reference value)	1.07 g



\*Dimension including the plating thickness  
Base material dimension

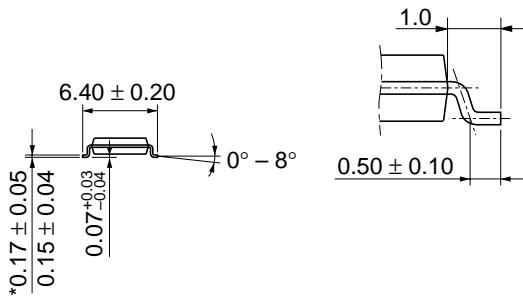
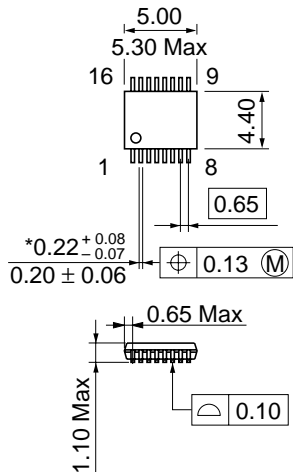
Hitachi Code	FP-16DA
JEDEC	—
EIAJ	Conforms
Weight (reference value)	0.24 g





\*Dimension including the plating thickness  
Base material dimension

Hitachi Code	FP-16DN
JEDEC	Conforms
EIAJ	Conforms
Weight (reference value)	0.15 g



\*Dimension including the plating thickness  
 Base material dimension

Hitachi Code	TTP-16DA
JEDEC	—
EIAJ	—
Weight (reference value)	0.05 g

## Cautions

1. Hitachi neither warrants nor grants licenses of any rights of Hitachi's or any third party's patent, copyright, trademark, or other intellectual property rights for information contained in this document. Hitachi bears no responsibility for problems that may arise with third party's rights, including intellectual property rights, in connection with use of the information contained in this document.
2. Products and product specifications may be subject to change without notice. Confirm that you have received the latest product standards or specifications before final design, purchase or use.
3. Hitachi makes every attempt to ensure that its products are of high quality and reliability. However, contact Hitachi's sales office before using the product in an application that demands especially high quality and reliability or where its failure or malfunction may directly threaten human life or cause risk of bodily injury, such as aerospace, aeronautics, nuclear power, combustion control, transportation, traffic, safety equipment or medical equipment for life support.
4. Design your application so that the product is used within the ranges guaranteed by Hitachi particularly for maximum rating, operating supply voltage range, heat radiation characteristics, installation conditions and other characteristics. Hitachi bears no responsibility for failure or damage when used beyond the guaranteed ranges. Even within the guaranteed ranges, consider normally foreseeable failure rates or failure modes in semiconductor devices and employ systemic measures such as fail-safes, so that the equipment incorporating Hitachi product does not cause bodily injury, fire or other consequential damage due to operation of the Hitachi product.
5. This product is not designed to be radiation resistant.
6. No one is permitted to reproduce or duplicate, in any form, the whole or part of this document without written approval from Hitachi.
7. Contact Hitachi's sales office for any questions regarding this document or Hitachi semiconductor products.

# HITACHI

## Hitachi, Ltd.

Semiconductor & Integrated Circuits.  
Nippon Bldg., 2-6-2, Ohte-machi, Chiyoda-ku, Tokyo 100-0004, Japan  
Tel: Tokyo (03) 3270-2111 Fax: (03) 3270-5109

URL      North America      : <http://semiconductor.hitachi.com/>  
             Europe                : <http://www.hitachi-eu.com/hel/ecg>  
             Asia (Singapore)      : <http://www.has.hitachi.com.sg/grp3/sicd/index.htm>  
             Asia (Taiwan)            : [http://www.hitachi.com.tw/E/Product/SICD\\_Frame.htm](http://www.hitachi.com.tw/E/Product/SICD_Frame.htm)  
             Asia (HongKong)        : <http://www.hitachi.com.hk/eng/bo/grp3/index.htm>  
             Japan                      : <http://www.hitachi.co.jp/Sicd/indx.htm>

## For further information write to:

Hitachi Semiconductor  
(America) Inc.  
179 East Tasman Drive,  
San Jose, CA 95134  
Tel: <1> (408) 433-1990  
Fax: <1>(408) 433-0223

Hitachi Europe GmbH  
Electronic components Group  
Dornacher Straße 3  
D-85622 Feldkirchen, Munich  
Germany  
Tel: <49> (89) 9 9180-0  
Fax: <49> (89) 9 29 30 00

Hitachi Europe Ltd.  
Electronic Components Group.  
Whitebrook Park  
Lower Cookham Road  
Maidenhead  
Berkshire SL6 8YA, United Kingdom  
Tel: <44> (1628) 585000  
Fax: <44> (1628) 778322

Hitachi Asia Pte. Ltd.  
16 Collyer Quay #20-00  
Hitachi Tower  
Singapore 049318  
Tel: 535-2100  
Fax: 535-1533

Hitachi Asia Ltd.  
Taipei Branch Office  
3F, Hung Kuo Building, No.167,  
Tun-Hwa North Road, Taipei (105)  
Tel: <886> (2) 2718-3666  
Fax: <886> (2) 2718-8180

Hitachi Asia (Hong Kong) Ltd.  
Group III (Electronic Components)  
7/F., North Tower, World Finance Centre,  
Harbour City, Canton Road, Tsim Sha Tsui,  
Kowloon, Hong Kong  
Tel: <852> (2) 735 9218  
Fax: <852> (2) 730 0281  
Telex: 40815 HITEC HX

Copyright ' Hitachi, Ltd., 1999. All rights reserved. Printed in Japan.

## HITACHI