
HD74AC194

4-bit Bidirectional Universal Shift Register

HITACHI

Description

This bidirectional shift register is designed to incorporate virtually all of the features a system designer may want in a shift register. It features parallel inputs, parallel outputs, right shift and left shift serial inputs, operating mode control inputs, and a direct overriding clear line. The register has four distinct modes of operation: parallel (broadside) load, shift right (in the direction Q_0 toward Q_3); shift left; inhibit clock (do nothing).

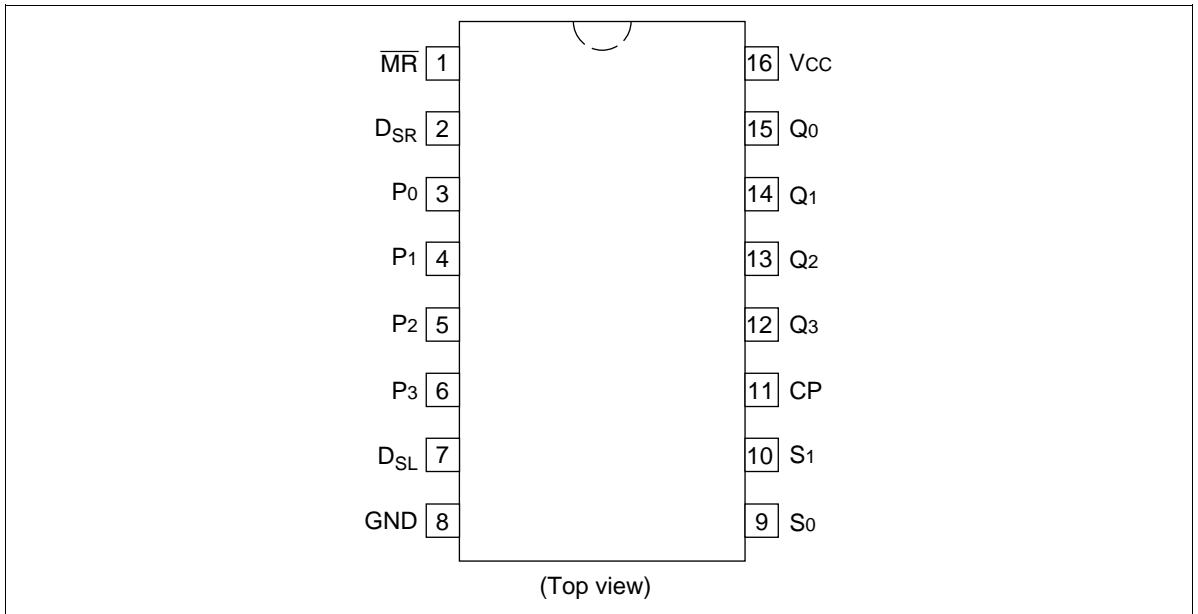
Synchronous parallel loading is accomplished by applying the four bits of data and taking both mode control inputs, S_0 and S_1 , high. The data are loaded into their respective flip-flops and appear at the output after the positive transition of the clock input. During loading, serial data flow is inhibited. Shift right is accomplished synchronously with the rising edge of the clock pulse when S_0 is high and S_1 is low. Serial data for this mode is entered at the shift right data input. When S_0 is low and S_1 is high, data shifts left synchronously and new data is entered at the shifts left serial input. Clocking of the flip-flops is inhibited when both mode control inputs are low. The mode control inputs should be changed only when the clock input is high.

Features

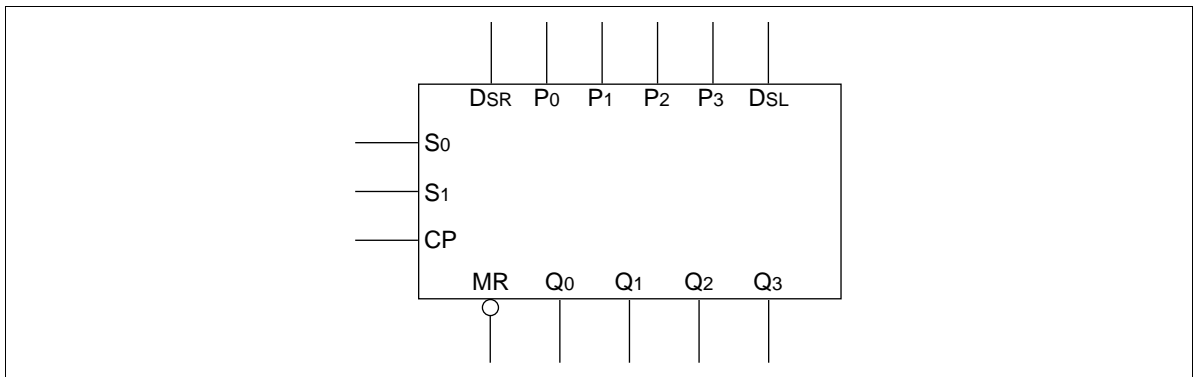
- Asynchronous Master Reset
- Hold (Do Nothing) Mode
- Outputs Source/Sink 24 mA

HD74AC194

Pin Arrangement



Logic Symbol

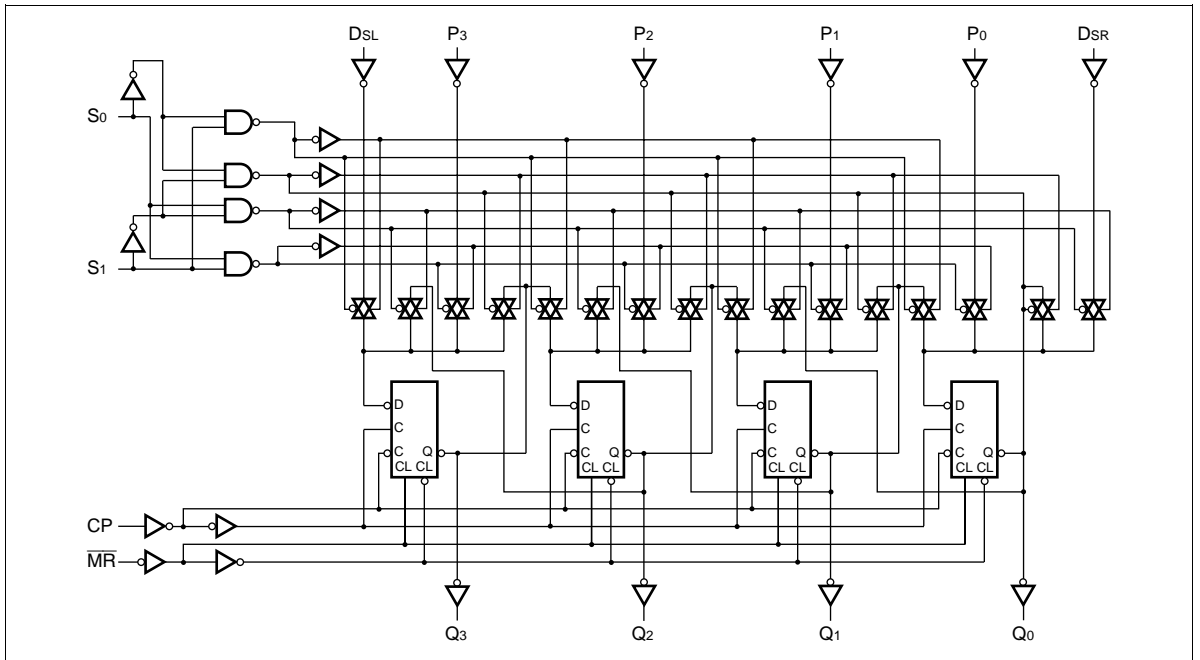


Pin Names

- S_0, S_1 Mode Control Inputs
- P_0 to P_3 Parallel Data Inputs
- D_{SR} Serial Data Input (Shift Right)
- D_{SL} Serial Data Input (Shift Left)
- CP Clock Pulse Input (Active Rising Edge)
- \overline{MR} Asynchronous Master Reset Input (Active LOW)
- Q_0 to Q_3 Parallel Outputs

HITACHI

Logic Diagram



Mode Select Table

Operating Mode	Inputs						Output			
	\overline{MR}	S_1	S_0	D_{SR}	D_{SL}	P_n	Q_0	Q_1	Q_2	Q_3
Reset	L	X	X	X	X	X	L	L	L	L
Hold	H	L	L	X	X	X	q_0	q_1	q_2	q_3
Shift Left	H	H	L	X	L	X	q_1	q_2	q_3	L
	H	H	L	X	H	X	q_1	q_2	q_3	H
Shift Right	H	L	H	L	X	X	L	q_0	q_1	q_2
	H	L	H	H	X	X	H	q_0	q_1	q_2
Parallel Load	H	H	H	X	X	p_n	p_0	p_1	p_2	p_3

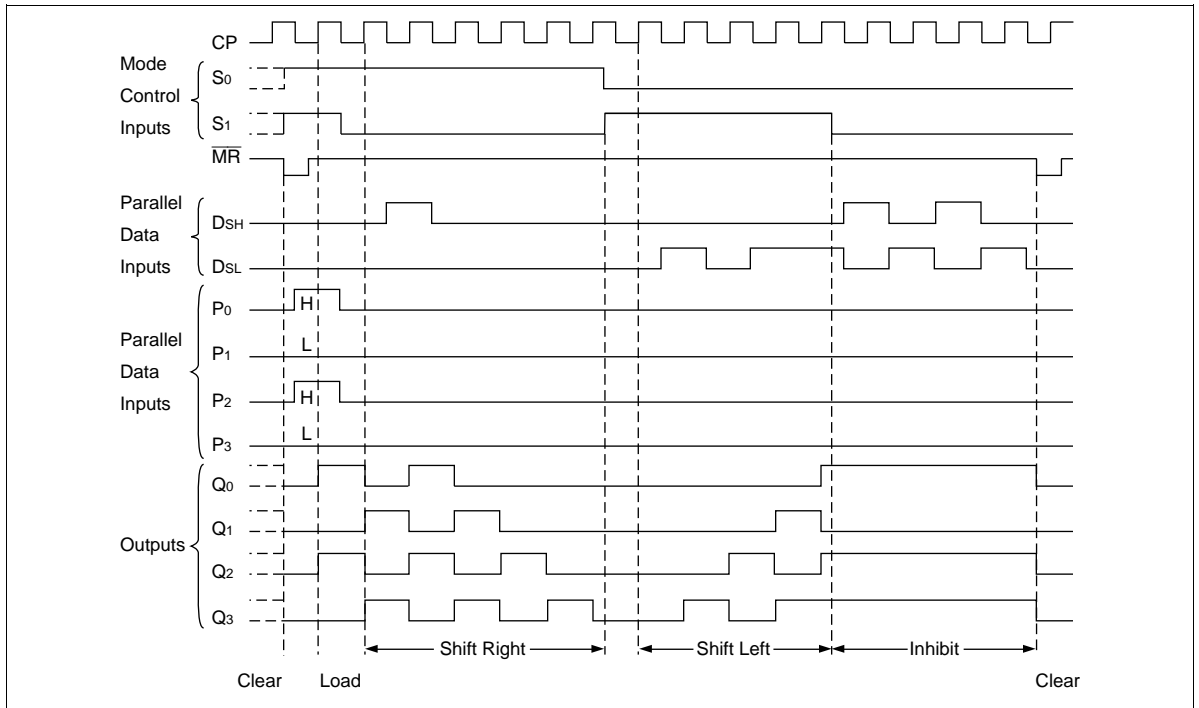
H : HIGH Voltage Level

L : LOW Voltage Level

p_n (q_n) : Lower case letters indicate the state of the referenced input (or output) one setup time prior to the LOW-to-HIGH clock transition

X : Immaterial

Timing Diagram



DC Characteristics (unless otherwise specified)

Item	Symbol	Max	Unit	Condition
Maximum quiescent supply current	I_{CC}	80	μA	$V_{IN} = V_{CC}$ or ground, $V_{CC} = 5.5 V$, $T_a = \text{Worst case}$
Maximum quiescent supply current	I_{CC}	8.0	μA	$V_{IN} = V_{CC}$ or ground, $V_{CC} = 5.5 V$, $T_a = 25^\circ C$

AC Characteristics: HD74AC194

Item	Symbol	V _{CC} (V)* ¹	Ta = +25°C C _L = 50 pF			Ta = -40°C to +85°C C _L = 50 pF		Unit
			Min	Typ	Max	Min	Max	
Maximum clock frequency	f _{max}	3.3	7.5	—	—	65	MHz	
		5.0	100	—	—	85		
Propagation delay CP to Q _n	t _{PLH}	3.3	1.0	—	13.0	1.0	15.0	ns
		5.0	1.0	—	10.0	1.0	11.5	
Propagation delay CP to Q _n	t _{PHL}	3.3	1.0	—	13.0	1.0	15.0	ns
		5.0	1.0	—	10.0	1.0	11.5	
Propagation delay MR to Q _n	t _{PHL}	3.3	1.0	—	10.5	1.0	12.5	ns
		5.0	1.0	—	8.0	1.0	9.0	

Note: 1. Voltage Range 3.3 is 3.3 V ± 0.3 V
Voltage Range 5.0 is 5.0 V ± 0.5 V

AC Operating Requirements: HD74AC194

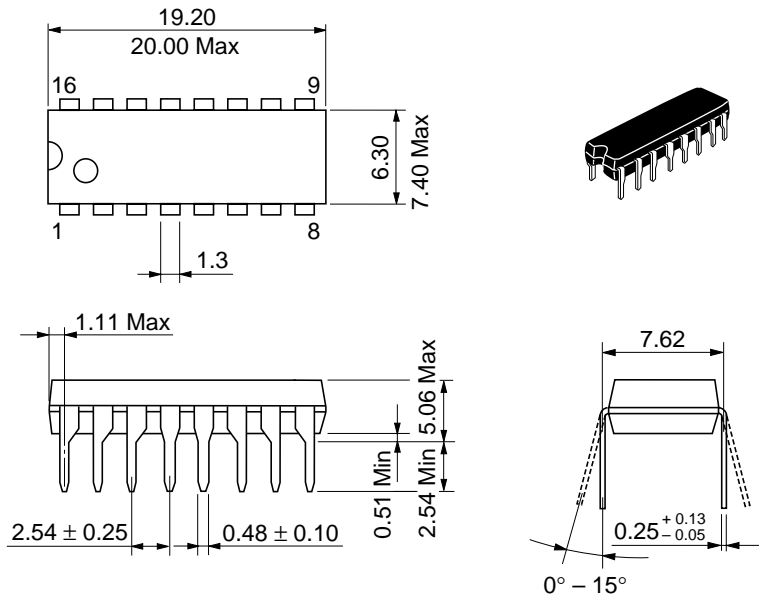
Item	Symbol	V _{CC} (V)* ¹	Ta = +25°C C _L = 50 pF		Ta = -40°C to +85°C C _L = 50 pF		Unit
			Typ	Guaranteed Minimum	Guaranteed Minimum	Guaranteed Minimum	
Setup time, HIGH or LOW Pn or D _{SR} or D _{SL} to CP	t _{su}	3.3	—	5.5	7.0	ns	
		5.0	—	4.0	5.0		
Hold time, HIGH or LOW Pn or D _{SR} or D _{SL} to CP	t _h	3.3	—	2.0	3.0	ns	
		5.0	—	1.5	2.0		
Setup time, HIGH or LOW S _n to CP	t _{su}	3.3	—	6.0	7.5	ns	
		5.0	—	4.5	5.5		
Hold time, HIGH or LOW S _n to CP	t _h	3.3	—	0.0	0.0	ns	
		5.0	—	0.0	0.0		
Recovery time MR to CP	t _{rec}	3.3	—	0.5	0.5	ns	
		5.0	—	0.5	0.5		
Pulse width	t _w	3.3	—	5.5	7.0	ns	
		5.0	—	4.5	5.0		

Note: 1. Voltage Range 3.3 is 3.3 V ± 0.3 V
Voltage Range 5.0 is 5.0 V ± 0.5 V

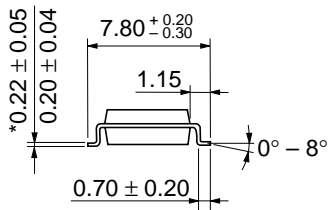
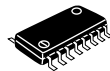
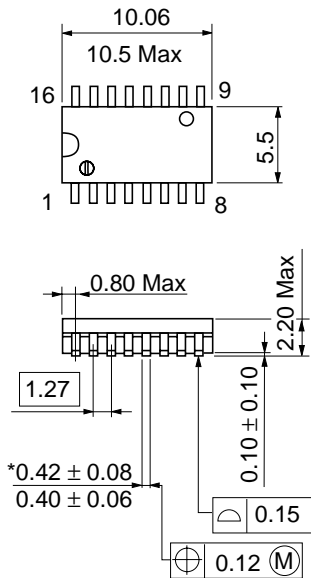
HD74AC194

Capacitance

Item	Symbol	Typ	Unit	Condition
Input capacitance	C_{IN}	4.5	pF	$V_{CC} = 5.5 \text{ V}$
Power dissipation capacitance	C_{PD}	100	pF	$V_{CC} = 5.0 \text{ V}$

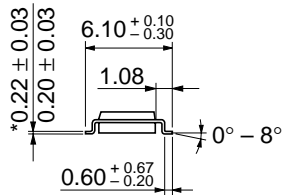
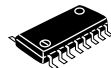
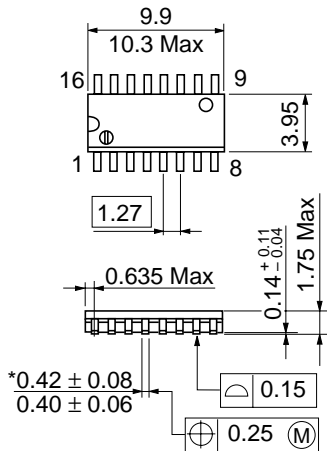


Hitachi Code	DP-16
JEDEC	Conforms
EIAJ	Conforms
Weight (reference value)	1.07 g



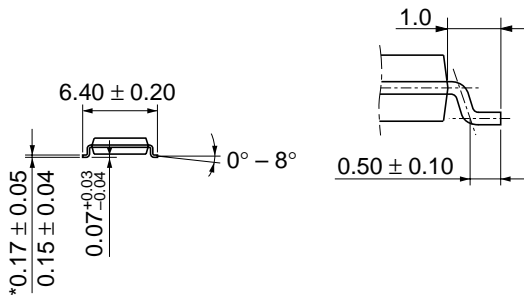
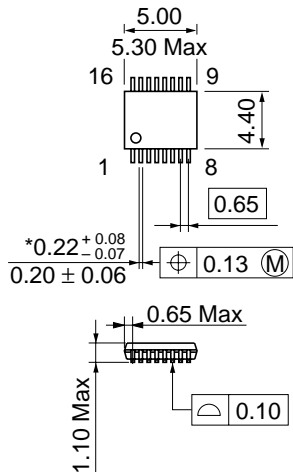
*Dimension including the plating thickness
Base material dimension

Hitachi Code	FP-16DA
JEDEC	—
EIAJ	Conforms
Weight (reference value)	0.24 g



*Dimension including the plating thickness
Base material dimension

Hitachi Code	FP-16DN
JEDEC	Conforms
EIAJ	Conforms
Weight (reference value)	0.15 g



*Dimension including the plating thickness
 Base material dimension

Hitachi Code	TTP-16DA
JEDEC	—
EIAJ	—
Weight (reference value)	0.05 g

Cautions

1. Hitachi neither warrants nor grants licenses of any rights of Hitachi's or any third party's patent, copyright, trademark, or other intellectual property rights for information contained in this document. Hitachi bears no responsibility for problems that may arise with third party's rights, including intellectual property rights, in connection with use of the information contained in this document.
2. Products and product specifications may be subject to change without notice. Confirm that you have received the latest product standards or specifications before final design, purchase or use.
3. Hitachi makes every attempt to ensure that its products are of high quality and reliability. However, contact Hitachi's sales office before using the product in an application that demands especially high quality and reliability or where its failure or malfunction may directly threaten human life or cause risk of bodily injury, such as aerospace, aeronautics, nuclear power, combustion control, transportation, traffic, safety equipment or medical equipment for life support.
4. Design your application so that the product is used within the ranges guaranteed by Hitachi particularly for maximum rating, operating supply voltage range, heat radiation characteristics, installation conditions and other characteristics. Hitachi bears no responsibility for failure or damage when used beyond the guaranteed ranges. Even within the guaranteed ranges, consider normally foreseeable failure rates or failure modes in semiconductor devices and employ systemic measures such as fail-safes, so that the equipment incorporating Hitachi product does not cause bodily injury, fire or other consequential damage due to operation of the Hitachi product.
5. This product is not designed to be radiation resistant.
6. No one is permitted to reproduce or duplicate, in any form, the whole or part of this document without written approval from Hitachi.
7. Contact Hitachi's sales office for any questions regarding this document or Hitachi semiconductor products.

HITACHI

Hitachi, Ltd.

Semiconductor & Integrated Circuits.
Nippon Bldg., 2-6-2, Ohte-machi, Chiyoda-ku, Tokyo 100-0004, Japan
Tel: Tokyo (03) 3270-2111 Fax: (03) 3270-5109

URL North America : <http://semiconductor.hitachi.com/>
 Europe : <http://www.hitachi-eu.com/hel/ecg>
 Asia (Singapore) : <http://www.has.hitachi.com.sg/grp3/sicd/index.htm>
 Asia (Taiwan) : http://www.hitachi.com.tw/E/Product/SICD_Frame.htm
 Asia (HongKong) : <http://www.hitachi.com.hk/eng/bo/grp3/index.htm>
 Japan : <http://www.hitachi.co.jp/Sicd/indx.htm>

For further information write to:

Hitachi Semiconductor
(America) Inc.
179 East Tasman Drive,
San Jose, CA 95134
Tel: <1> (408) 433-1990
Fax: <1> (408) 433-0223

Hitachi Europe GmbH
Electronic components Group
Dornacher Straße 3
D-85622 Feldkirchen, Munich
Germany
Tel: <49> (89) 9 9180-0
Fax: <49> (89) 9 29 30 00

Hitachi Europe Ltd.
Electronic Components Group.
Whitebrook Park
Lower Cookham Road
Maidenhead
Berkshire SL6 8YA, United Kingdom
Tel: <44> (1628) 585000
Fax: <44> (1628) 778322

Hitachi Asia Pte. Ltd.
16 Collyer Quay #20-00
Hitachi Tower
Singapore 049318
Tel: 535-2100
Fax: 535-1533

Hitachi Asia Ltd.
Taipei Branch Office
3F, Hung Kuo Building, No.167,
Tun-Hwa North Road, Taipei (105)
Tel: <886> (2) 2718-3666
Fax: <886> (2) 2718-8180

Hitachi Asia (Hong Kong) Ltd.
Group III (Electronic Components)
7/F., North Tower, World Finance Centre,
Harbour City, Canton Road, Tsim Sha Tsui,
Kowloon, Hong Kong
Tel: <852> (2) 735 9218
Fax: <852> (2) 730 0281
Telex: 40815 HITEC HX

Copyright ' Hitachi, Ltd., 1999. All rights reserved. Printed in Japan.

HITACHI