

HD74AC283/HD74ACT283

4-bit Binary Full Adder with Fast Carry

REJ03D0267-0200Z
 (Previous ADE-205-388 (Z))
 Rev.2.00
 Jul.16.2004

Description

The HD74AC283/HD74ACT283 high-speed 4-bit binary full adder with internal carry lookahead accepts two 4-bit binary works ($A_0 - A_3$, $B_0 - B_3$) and a Carry input (C_0). It generates the binary Sum outputs ($S_0 - S_3$) and the Carry output (C_4) from the most significant bit. The HD74AC283/HD74ACT283 will operate with either active High or active Low operands (positive or negative logic).

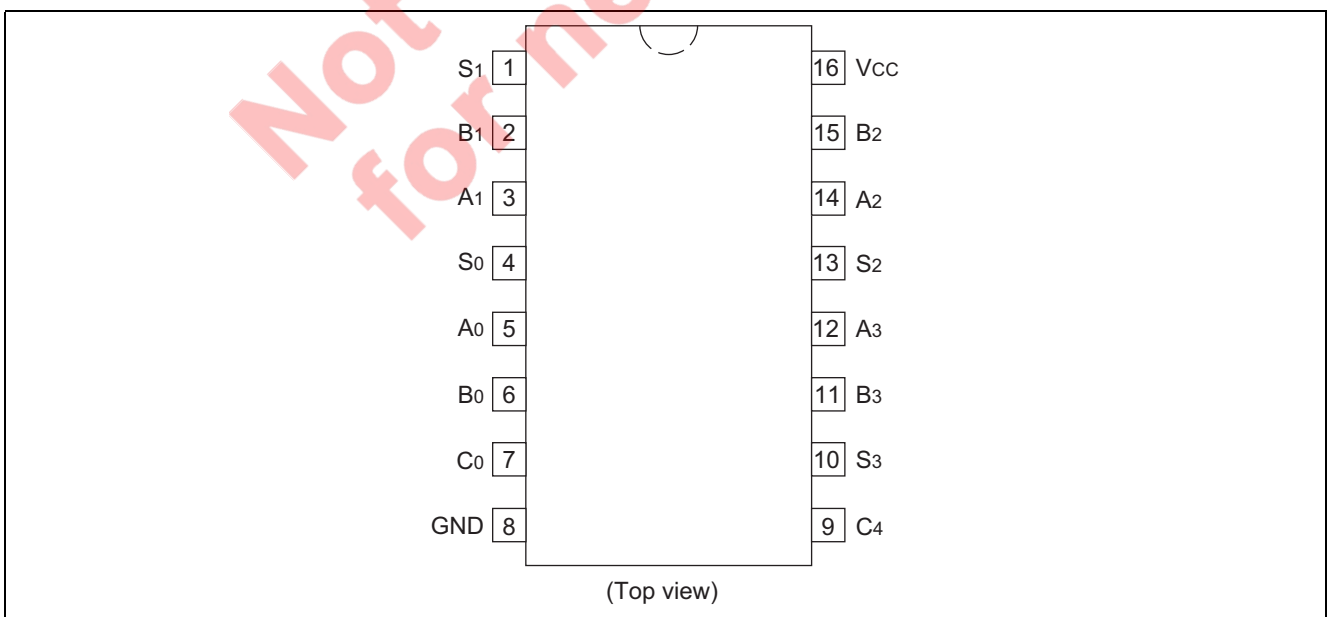
Features

- Outputs Source/Sink 24 mA
- HD74ACT283 has TTL-Cmpatible Inputs
- Ordering Information: Ex. HD74AC283

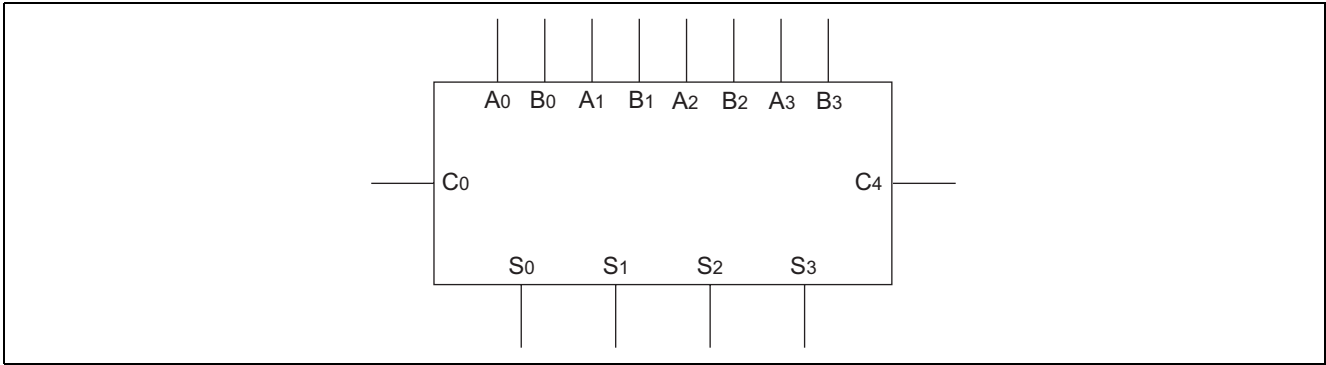
Part Name	Package Type	Package Code	Package Abbreviation	Taping Abbreviation (Quantity)
HD74AC283AP	DIP-16 pin	DP-16E, -16FV	P	—
HD74AC283AFPEL	SOP-16 pin (JEITA)	FP-16DAV	FP	EL (2,000 pcs/reel)
HD74AC283ARPEL	SOP-16 pin (JEDEC)	FP-16DNV	RP	EL (2,500 pcs/reel)
HD74AC283TELL	TSSOP-16 pin	TTP-16DAV	T	ELL(2,000 pcs/reel)

- Notes: 1. Please consult the sales office for the above package availability.
 2. The packages with lead-free pins are distinguished from the conventional products by adding V at the end of the package code.

Pin Arrangement



Logic Symbol



Pin Names

- A₀ – A₃ A Operand Inputs
- B₀ – B₃ B Operand Inputs
- C₀ Carry Input
- S₀ – S₃ Sum Outputs
- C₄ Carry Output

Functional Description

The HD74AC283/HD74ACT283 adds two 4-bit binary words (A plus B) plus the incoming Carry (C₀). The binary sum appears on the Sum (S₀ – S₃) and outgoing carry (C₄) outputs. The binary weight of the various inputs and outputs is indicated by the subscript numbers, representing powers of two.

$$2^0 (A_0 + B_0 + C_0) + 2^1 (A_1 + B_1) + 2^2 (A_2 + B_2) + 2^3 (A_3 + B_3) = S_0 + 2S_1 + 4S_2 + 8S_3 + 16C_4$$

Where (+) = plus

Interchanging inputs of equal weight does not affect the operation. Thus C₀, A₀, B₀ can be arbitrarily assigned to pins 5, 6 and 7 for DIPS. Due to the symmetry of the binary add function, the HD74AC283/HD74ACT283 can be used either with all inputs and outputs active High (positive logic) or with all inputs and outputs active Low (negative logic). See Figure a. Note that if C₀ is not used it must be tied Low for active High logic or tied High for active Low logic.

Due to pin limitations, the intermediate carries of the HD74AC283/HD74ACT283 are not brought out for use as inputs or outputs. However, other means can be used to effectively insert a carry into, or bring a carry out from, an intermediate stage. Figure b shows how to make a 3-bit adder. Tying the operand inputs of the fourth adder (A₃, B₃) Low makes S₃ dependent only on, and equal to, the carry from the third adder. Using somewhat the same principle Figure c shows a way of dividing the HD74AC283/HD74ACT283 into a 2-bit and a 1-bit adder. The third stage adder (A₂, B₂, S₂) is used merely as a means of getting a carry (C₁₀) signal into the fourth stage (via A₂ and B₂) and bringing out the carry from the second stage on S₂. Note that as long as A₂ and B₂ are the same, whether High or Low, they do not influence S₂. Similarly, when A₂ and B₂ are the same the carry into the third stage does not influence the carry out of the third stage. Figure d shows a method of implementing a 5-input encoder, where the inputs are equally weighted. The outputs S₀, S₁ and S₂ present a binary number equal to the number of inputs I₁ – I₅ that are true. Figure e shows one method of implementing a 5-input majority gate. When three or more of the inputs I₁ – I₅ are true, the output M₅ is true.

Fig. a Active HIGH versus Active LOW Interpretation

	C ₀	A ₀	A ₁	A ₂	A ₃	B ₀	B ₁	B ₂	B ₃	S ₀	S ₁	S ₂	S ₃	C ₄
Logic levels	L	L	H	L	H	H	L	L	H	H	H	L	L	H
Active HIGH	0	0	1	0	1	1	0	0	1	1	1	0	0	1
Active LOW	1	1	0	1	0	0	1	1	0	0	0	1	1	0

Active HIGH: 0 + 10 + 9 = 3 + 16

Active LOW: 1 + 5 + 6 = 12 + 0

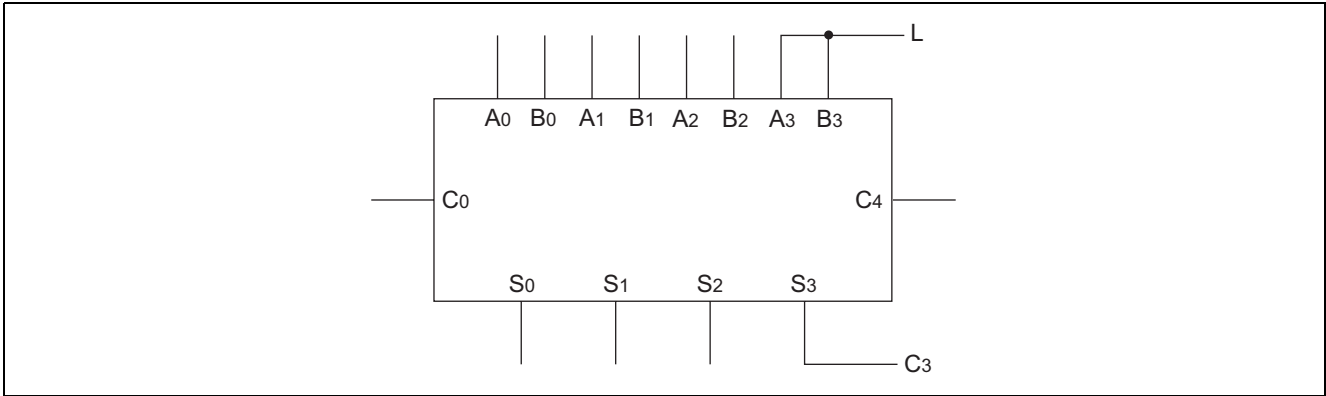


Fig. b 3-bit Adder

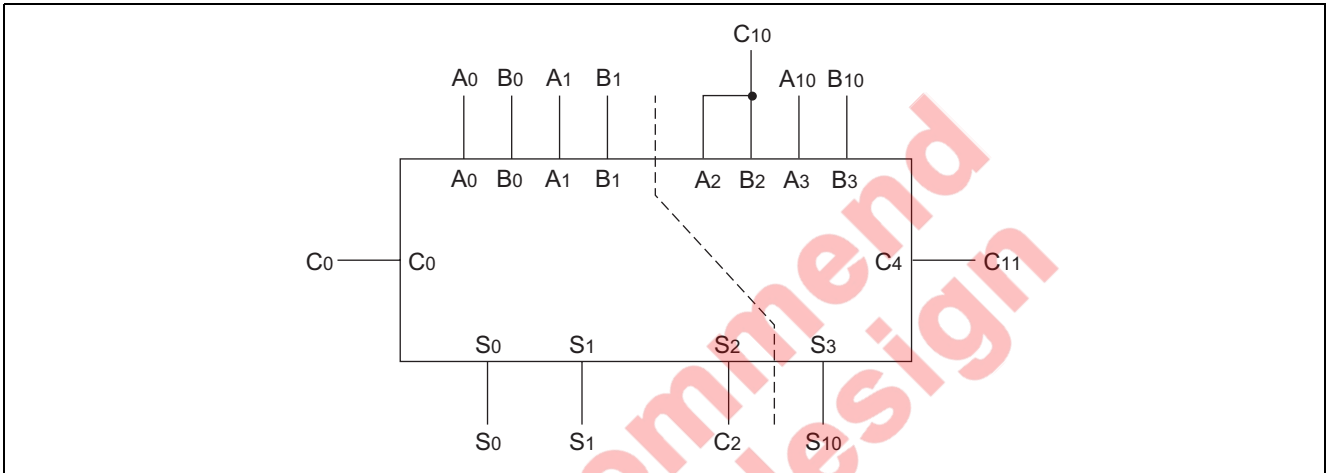


Fig. c 2-bit and 1-bit adders

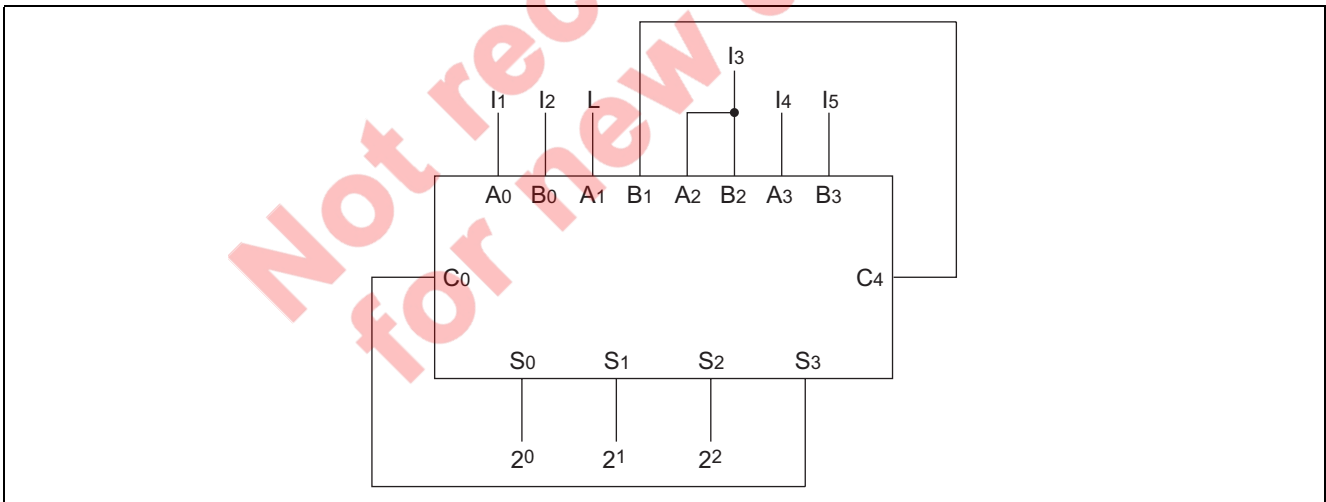


Fig. d 5-Input Encoder

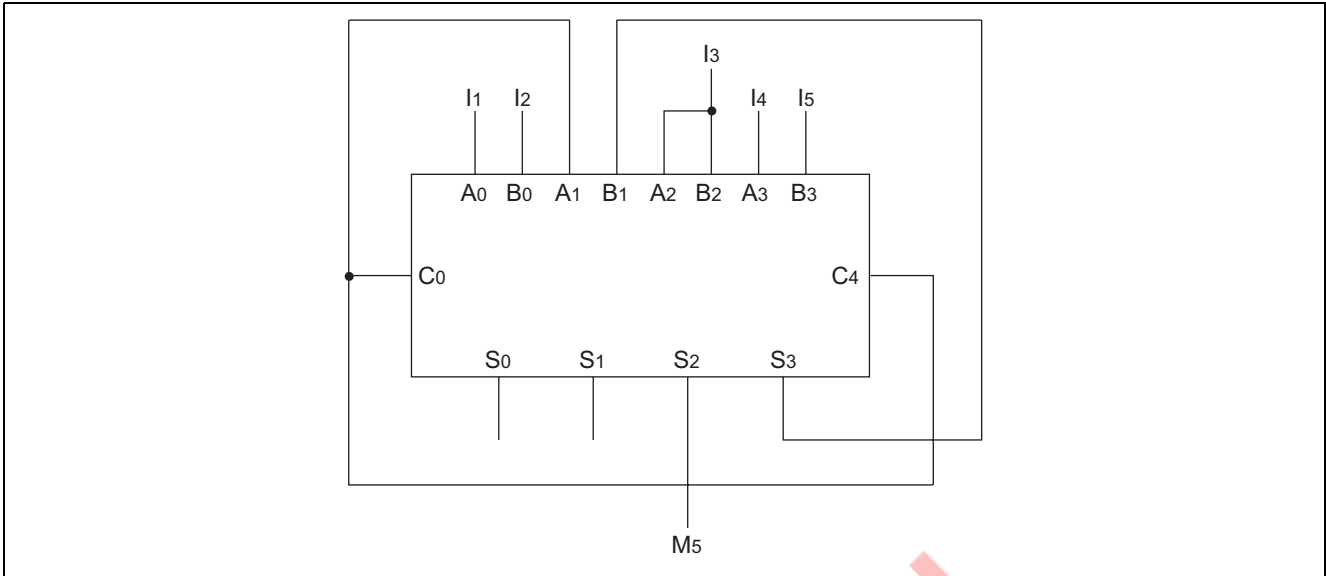
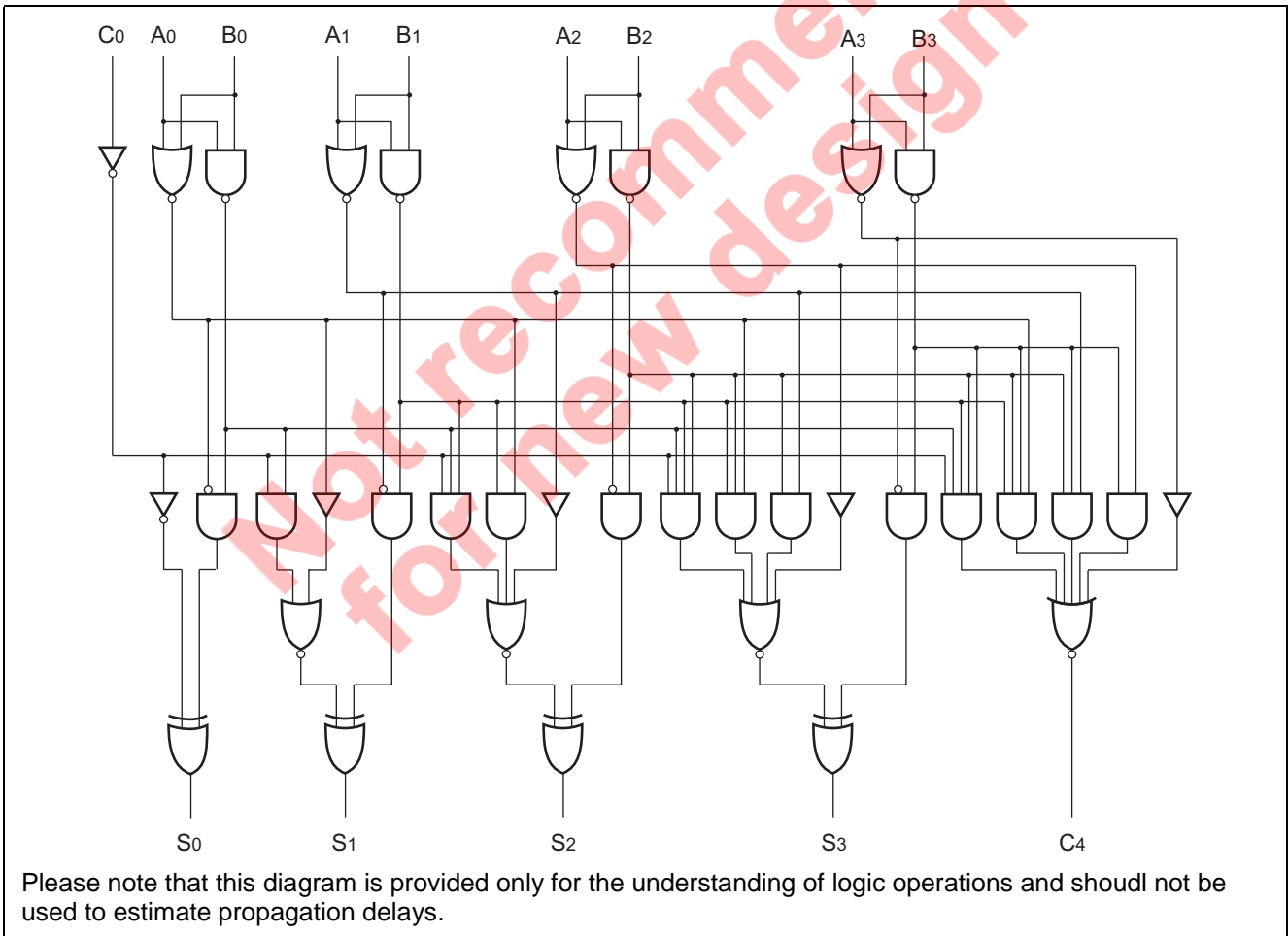


Fig. e 5-Input Majority Gate

Logic Diagram



Absolute Maximum Ratings

Item	Symbol	Ratings	Unit	Condition
Supply voltage	V_{CC}	-0.5 to 7	V	
DC input diode current	I_{IK}	-20	mA	$V_I = -0.5V$
		20	mA	$V_I = V_{CC}+0.5V$
DC input voltage	V_I	-0.5 to $V_{CC}+0.5$	V	
DC output diode current	I_{OK}	-50	mA	$V_O = -0.5V$
		50	mA	$V_O = V_{CC}+0.5V$
DC output voltage	V_O	-0.5 to $V_{CC}+0.5$	V	
DC output source or sink current	I_O	± 50	mA	
DC V_{CC} or ground current per output pin	I_{CC}, I_{GND}	± 50	mA	
Storage temperature	T_{stg}	-65 to +150	°C	

Recommended Operating Conditions: HD74AC283

Item	Symbol	Ratings	Unit	Condition
Supply voltage	V_{CC}	2 to 6	V	
Input and output voltage	V_I, V_O	0 to V_{CC}	V	
Operating temperature	T_a	-40 to +85	°C	
Input rise and fall time (except Schmitt inputs) V_{IN} 30% to 70% V_{CC}	tr, tf	8	ns/V	$V_{CC} = 3.0V$
				$V_{CC} = 4.5 V$
				$V_{CC} = 5.5 V$

DC Characteristics: HD74AC283

Item	Sym- bol	Vcc (V)	$T_a = 25^\circ C$			$T_a = -40 \text{ to } +85^\circ C$		Unit	Condition	
			min.	typ.	max.	min.	max.			
Input Voltage	V_{IH}	3.0	2.1	1.5	—	2.1	—	V	$V_{OUT} = 0.1 V \text{ or } V_{CC} - 0.1 V$	
		4.5	3.15	2.25	—	3.15	—			
		5.5	3.85	2.75	—	3.85	—			
	V_{IL}	3.0	—	1.50	0.9	—	0.9			$V_{OUT} = 0.1 V \text{ or } V_{CC} - 0.1 V$
		4.5	—	2.25	1.35	—	1.35			
		5.5	—	2.75	1.65	—	1.65			
Output voltage	V_{OH}	3.0	2.9	2.99	—	2.9	—	V	$V_{IN} = V_{IL} \text{ or } V_{IH}$ $I_{OUT} = -50 \mu A$	
		4.5	4.4	4.49	—	4.4	—			
		5.5	5.4	5.49	—	5.4	—			
		3.0	2.58	—	—	2.48	—			$V_{IN} = V_{IL} \text{ or } V_{IH}$ $I_{OH} = -12 \text{ mA}$ $I_{OH} = -24 \text{ mA}$ $I_{OH} = -24 \text{ mA}$
		4.5	3.94	—	—	3.80	—			
		5.5	4.94	—	—	4.80	—			
	V_{OL}	3.0	—	0.002	0.1	—	0.1		$V_{IN} = V_{IL} \text{ or } V_{IH}$ $I_{OUT} = 50 \mu A$	
		4.5	—	0.001	0.1	—	0.1			
		5.5	—	0.001	0.1	—	0.1			
		3.0	—	—	0.32	—	0.37			$V_{IN} = V_{IL} \text{ or } V_{IH}$ $I_{OL} = 12 \text{ mA}$ $I_{OL} = 24 \text{ mA}$ $I_{OL} = 24 \text{ mA}$
		4.5	—	—	0.32	—	0.37			
		5.5	—	—	0.32	—	0.37			
Input leakage current	I_{IN}	5.5	—	—	± 0.1	—	± 1.0	μA	$V_{IN} = V_{CC} \text{ or } GND$	
Dynamic output current*	I_{OLD}	5.5	—	—	—	86	—	mA	$V_{OLD} = 1.1 V$	
	I_{OHD}	5.5	—	—	—	-75	—	mA	$V_{OHD} = 3.85 V$	
Quiescent supply current	I_{CC}	5.5	—	—	8.0	—	80	μA	$V_{IN} = V_{CC} \text{ or } ground$	

*Maximum test duration 2.0 ms, one output loaded at a time.

Recommended Operating Conditions: HD74ACT283

Item	Symbol	Ratings	Unit	Condition
Supply voltage	V_{CC}	2 to 6	V	
Input and output voltage	V_I, V_O	0 to V_{CC}	V	
Operating temperature	T_a	-40 to +85	°C	
Input rise and fall time (except Schmitt inputs) V_{IN} 0.8 to 2.0 V	t_r, t_f	8	ns/V	$V_{CC} = 4.5V$ $V_{CC} = 5.5V$

DC Characteristics: HD74ACT283

Item	Sym- bol	V_{CC} (V)	$T_a = 25^\circ C$			$T_a = -40$ to $+85^\circ C$		Unit	Condition		
			min.	typ.	max.	min.	max.				
Input voltage	V_{IH}	4.5	2.0	1.5	—	2.0	—	V	$V_{OUT} = 0.1 V$ or $V_{CC}-0.1 V$		
		5.5	2.0	1.5	—	2.0	—				
	V_{IL}	4.5	—	1.5	0.8	—	0.8	V	$V_{OUT} = 0.1 V$ or $V_{CC}-0.1 V$		
		5.5	—	1.5	0.8	—	0.8				
Output voltage	V_{OH}	4.5	4.4	4.49	—	4.4	—	V	$V_{IN} = V_{IL}$ or V_{IH} $I_{OUT} = -50 \mu A$		
		5.5	5.4	5.49	—	5.4	—				
		4.5	3.94	—	—	3.80	—			$V_{IN} = V_{IL}$	$I_{OH} = -24 mA$
		5.5	4.94	—	—	4.80	—				$I_{OH} = -24 mA$
	V_{OL}	4.5	—	0.001	0.1	—	0.1	V	$V_{IN} = V_{IL}$ or V_{IH} $I_{OUT} = 50 \mu A$		
		5.5	—	0.001	0.1	—	0.1				
		4.5	—	—	0.32	—	0.37			$V_{IN} = V_{IL}$	$I_{OL} = 24 mA$
		5.5	—	—	0.32	—	0.37				$I_{OL} = 24 mA$
	Input current	I_{IN}	5.5	—	—	± 0.1	—	± 1.0	μA	$V_{IN} = V_{CC}$ or GND	
	I_{CC} /input current	I_{CCT}	5.5	—	0.6	—	—	1.5	mA	$V_{IN} = V_{CC}-2.1 V$	
Dynamic output current*	I_{OLD}	5.5	—	—	—	86	—	mA	$V_{OLD} = 1.1 V$		
	I_{OHD}	5.5	—	—	—	-75	—	mA	$V_{OHD} = 3.85 V$		
Quiescent supply current	I_{CC}	5.5	—	—	8.0	—	80	μA	$V_{IN} = V_{CC}$ or ground		

*Maximum test duration 2.0 ms, one output loaded at a time.

AC Characteristics: HD74AC283

Item	Symbol	V _{CC} (V)*1	Ta = +25°C C _L = 50 pF			Ta = -40°C to +85°C C _L = 50 pF		Unit
			Min	Typ	Max	Min	Max	
Propagation delay C ₀ to S _n	t _{PLH}	3.3	1.0	11.5	15.0	1.0	16.5	ns
		5.0	1.0	9.5	11.5	1.0	12.5	
Propagation delay C ₀ to S _n	t _{PHL}	3.3	1.0	10.5	14.0	1.0	15.5	ns
		5.0	1.0	8.5	10.5	1.0	11.5	
Propagation delay A _n or B _n to S _n	t _{PLH}	3.3	1.0	14.0	17.0	1.0	18.5	ns
		5.0	1.0	11.5	13.5	1.0	14.5	
Propagation delay A _n or B _n to S _n	t _{PHL}	3.3	1.0	13.5	16.5	1.0	18.0	ns
		5.0	1.0	11.0	13.0	1.0	14.0	
Propagation delay C ₀ to C ₄	t _{PLH}	3.3	1.0	9.5	12.5	1.0	15.5	ns
		5.0	1.0	7.5	9.5	1.0	10.5	
Propagation delay C ₀ to C ₄	t _{PHL}	3.3	1.0	10.0	13.0	1.0	14.0	ns
		5.0	1.0	8.0	10.0	1.0	11.0	
Propagation delay A _n or B _n to C ₄	t _{PLH}	3.3	1.0	11.5	14.5	1.0	16.0	ns
		5.0	1.0	9.5	11.5	1.0	12.5	
Propagation delay A _n or B _n to C ₄	t _{PHL}	3.3	1.0	12.0	15.0	1.0	16.5	ns
		5.0	1.0	10.0	12.0	1.0	13.0	

Note: 1. Voltage Range 3.3 is 3.3 V ± 0.3 V
Voltage Range 5.0 is 5.0 V ± 0.5 V

AC Characteristics: HD74ACT283

Item	Symbol	V _{CC} (V)*1	Ta = +25°C C _L = 50 pF			Ta = -40°C to +85°C C _L = 50 pF		Unit
			Min	Typ	Max	Min	Max	
Propagation delay C ₀ to S _n	t _{PLH}	5.0	1.0	11.5	13.5	1.0	14.5	ns
Propagation delay C ₀ to S _n	t _{PHL}	5.0	1.0	10.0	12.0	1.0	13.0	ns
Propagation delay A _n or B _n to S _n	t _{PLH}	5.0	1.0	13.0	15.0	1.0	16.5	ns
Propagation delay A _n or B _n to S _n	t _{PHL}	5.0	1.0	12.0	14.0	1.0	15.5	ns
Propagation delay C ₀ to C ₄	t _{PLH}	5.0	1.0	9.0	11.0	1.0	12.0	ns
Propagation delay C ₀ to C ₄	t _{PHL}	5.0	1.0	10.0	12.0	1.0	13.0	ns
Propagation delay A _n or B _n to C ₄	t _{PLH}	5.0	1.0	11.0	13.0	1.0	14.0	ns
Propagation delay A _n or B _n to C ₄	t _{PHL}	5.0	1.0	11.5	13.5	1.0	14.5	ns

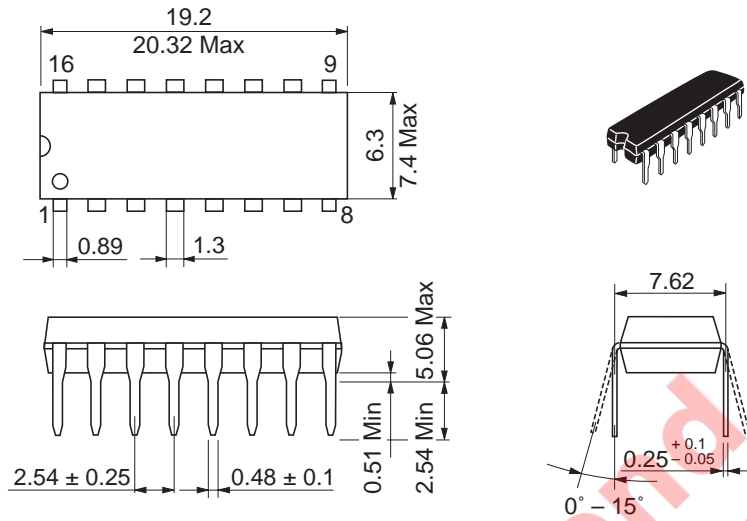
Note: 1. Voltage Range 5.0 is 5.0 V ± 0.5 V

Capacitance

Item	Symbol	Typ	Unit	Condition
Input capacitance	C _{IN}	4.5	pF	V _{CC} = 5.5 V
Power dissipation capacitance	C _{PD}	60.0	pF	V _{CC} = 5.0 V

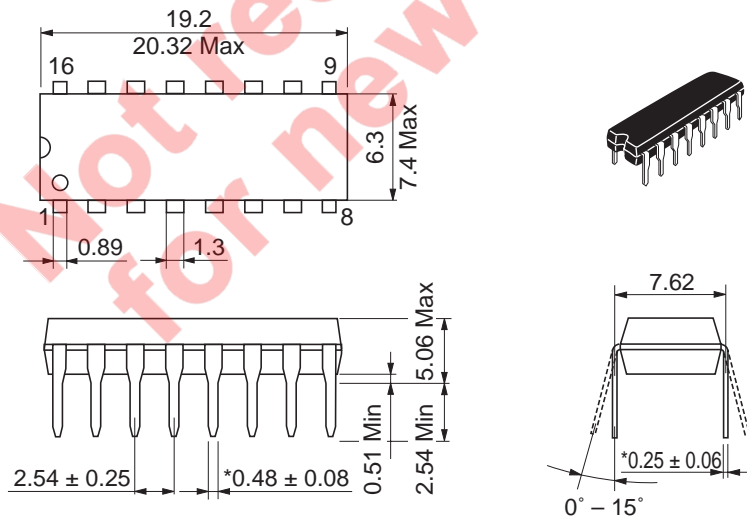
Package Dimensions

As of January, 2003
Unit: mm



Package Code	DP-16E
JEDEC	Conforms
JEITA	Conforms
Mass (reference value)	1.05 g

Unit: mm

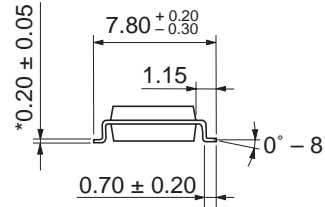
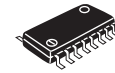
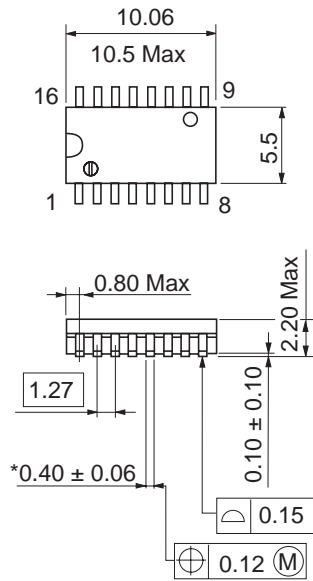


*Ni/Pd/AU Plating

Package Code	DP-16FV
JEDEC	Conforms
JEITA	Conforms
Mass (reference value)	1.05 g

As of January, 2003

Unit: mm

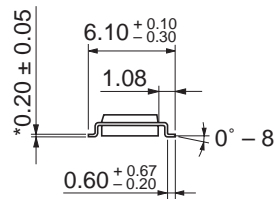
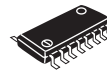
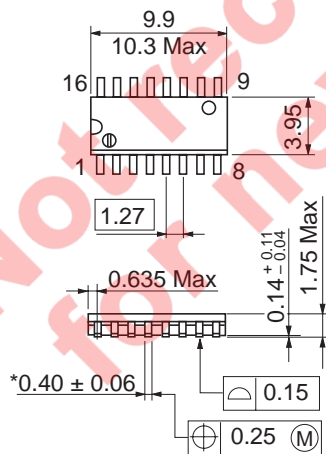


*Ni/Pd/Au plating

Package Code	FP-16DAV
JEDEC	—
JEITA	Conforms
Mass (reference value)	0.24 g

As of January, 2003

Unit: mm



*Ni/Pd/Au plating

Package Code	FP-16DNV
JEDEC	Conforms
JEITA	Conforms
Mass (reference value)	0.15 g

Keep safety first in your circuit designs!

1. Renesas Technology Corp. puts the maximum effort into making semiconductor products better and more reliable, but there is always the possibility that trouble may occur with them. Trouble with semiconductors may lead to personal injury, fire or property damage. Remember to give due consideration to safety when making your circuit designs, with appropriate measures such as (i) placement of substitutive, auxiliary circuits, (ii) use of nonflammable material or (iii) prevention against any malfunction or mishap.

Notes regarding these materials

1. These materials are intended as a reference to assist our customers in the selection of the Renesas Technology Corp. product best suited to the customer's application; they do not convey any license under any intellectual property rights, or any other rights, belonging to Renesas Technology Corp. or a third party.
 2. Renesas Technology Corp. assumes no responsibility for any damage, or infringement of any third-party's rights, originating in the use of any product data, diagrams, charts, programs, algorithms, or circuit application examples contained in these materials.
 3. All information contained in these materials, including product data, diagrams, charts, programs and algorithms represents information on products at the time of publication of these materials, and are subject to change by Renesas Technology Corp. without notice due to product improvements or other reasons. It is therefore recommended that customers contact Renesas Technology Corp. or an authorized Renesas Technology Corp. product distributor for the latest product information before purchasing a product listed herein.
The information described here may contain technical inaccuracies or typographical errors.
Renesas Technology Corp. assumes no responsibility for any damage, liability, or other loss rising from these inaccuracies or errors.
Please also pay attention to information published by Renesas Technology Corp. by various means, including the Renesas Technology Corp. Semiconductor home page (<http://www.renesas.com>).
 4. When using any or all of the information contained in these materials, including product data, diagrams, charts, programs, and algorithms, please be sure to evaluate all information as a total system before making a final decision on the applicability of the information and products. Renesas Technology Corp. assumes no responsibility for any damage, liability or other loss resulting from the information contained herein.
 5. Renesas Technology Corp. semiconductors are not designed or manufactured for use in a device or system that is used under circumstances in which human life is potentially at stake. Please contact Renesas Technology Corp. or an authorized Renesas Technology Corp. product distributor when considering the use of a product contained herein for any specific purposes, such as apparatus or systems for transportation, vehicular, medical, aerospace, nuclear, or undersea repeater use.
 6. The prior written approval of Renesas Technology Corp. is necessary to reprint or reproduce in whole or in part these materials.
 7. If these products or technologies are subject to the Japanese export control restrictions, they must be exported under a license from the Japanese government and cannot be imported into a country other than the approved destination.
Any diversion or reexport contrary to the export control laws and regulations of Japan and/or the country of destination is prohibited.
 8. Please contact Renesas Technology Corp. for further details on these materials or the products contained therein.
-



RENESAS SALES OFFICES

<http://www.renesas.com>

Renesas Technology America, Inc.

450 Holger Way, San Jose, CA 95134-1368, U.S.A
Tel: <1> (408) 382-7500 Fax: <1> (408) 382-7501

Renesas Technology Europe Limited.

Dukes Meadow, Millboard Road, Bourne End, Buckinghamshire, SL8 5FH, United Kingdom
Tel: <44> (1628) 585 100, Fax: <44> (1628) 585 900

Renesas Technology Europe GmbH

Dornacher Str. 3, D-85622 Feldkirchen, Germany
Tel: <49> (89) 380 70 0, Fax: <49> (89) 929 30 11

Renesas Technology Hong Kong Ltd.

7/F., North Tower, World Finance Centre, Harbour City, Canton Road, Hong Kong
Tel: <852> 2265-6688, Fax: <852> 2375-6836

Renesas Technology Taiwan Co., Ltd.

FL 10, #99, Fu-Hsing N. Rd., Taipei, Taiwan
Tel: <886> (2) 2715-2888, Fax: <886> (2) 2713-2999

Renesas Technology (Shanghai) Co., Ltd.

26/F., Ruijin Building, No.205 Maoming Road (S), Shanghai 200020, China
Tel: <86> (21) 6472-1001, Fax: <86> (21) 6415-2952

Renesas Technology Singapore Pte. Ltd.

1, Harbour Front Avenue, #06-10, Keppel Bay Tower, Singapore 098632
Tel: <65> 6213-0200, Fax: <65> 6278-8001