

HD74HC4066

Quad Analog Switches/Quad Multiplexers

REJ03D0651-0200
 (Previous ADE-205-538)
 Rev.2.00
 Mar 30, 2006

Description

This switch has low “on” resistance and low “off” leakage. It is a bidirectional switch, thus any analog input may be used as an output and vice-versa. Also the HD74HC4066 switch contains linearization circuitry which lowers the “on” resistance and increases switch linearity. The HD74HC4066 device allows control of up to 12 V (peak) analog signals with digital control signals of the same range. Each switch has its own control input which disables each switch when low.

Features

- High Speed Operation
- Wide Operating Voltage: $V_{CC} = 2$ to 6 V
- Low Quiescent Supply Current: I_{CC} (static) = $1 \mu\text{A}$ max ($T_a = 25^\circ\text{C}$)
- Ordering Information

| Part Name | Package Type | Package Code (Previous Code) | Package Abbreviation | Taping Abbreviation (Quantity) |
|----------------|--------------------|------------------------------|----------------------|--------------------------------|
| HD74HC4066P | DILP-14 pin | PRDP0014AB-B (DP-14AV) | P | — |
| HD74HC4066FPEL | SOP-14 pin (JEITA) | PRSP0014DF-B (FP-14DAV) | FP | EL (2,000 pcs/reel) |
| HD74HC4066RPEL | SOP-14 pin (JEDEC) | PRSP0014DE-A (FP-14DNV) | RP | EL (2,500 pcs/reel) |
| HD74HC4066TELL | TSSOP-14 pin | PTSP0014JA-B (TTP-14DV) | T | ELL (2,000 pcs/reel) |

Note: Please consult the sales office for the above package availability.

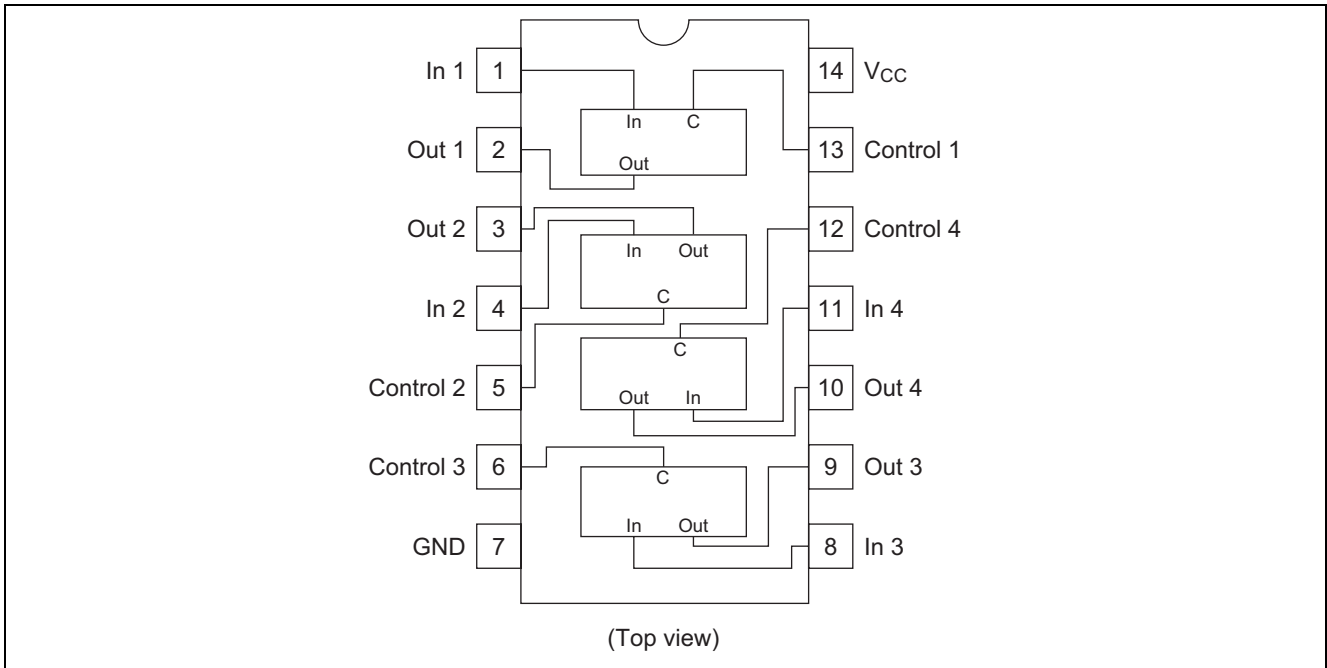
Function Table

| Control | Switch |
|---------|--------|
| L | OFF |
| H | ON |

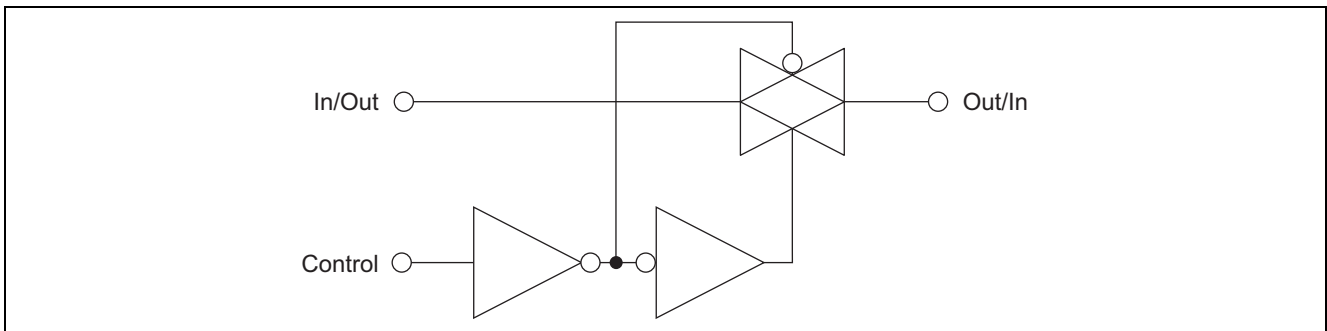
$GND \leq V_{in} \leq V_{CC}$

$GND \leq V_{out} \leq V_{CC}$

Pin Arrangement



Logic Diagram



Absolute Maximum Ratings

| Item | Symbol | Rating | Unit |
|------------------------------|--------------|------------------------|-------------|
| Supply voltage | V_{CC} | -0.5 to +7.0 | V |
| Control input voltage | V_C | -0.5 to $V_{CC} + 0.5$ | V |
| Switch I/O voltage | $V_{IN/OUT}$ | -0.5 to $V_{CC} + 0.5$ | V |
| Supply current | (V_{CC}) | I_{CC} | +50 |
| | (GND) | I_{GND} | -50 |
| Switch I/O current (per pin) | $I_{IN/OUT}$ | ± 25 | mA |
| Control input diode current | I_{IK} | ± 20 | mA |
| Switch I/O diode current | I_{IOK} | ± 20 | mA |
| Power dissipation | P_T | 500 | mW |
| Storage temperature range | T_{stg} | -65 to +150 | $^{\circ}C$ |

Recommended Operating Conditions

| Item | Symbol | Min | Typ | Max | Unit | |
|-----------------------|-------------------------|------------|-----|----------|------|----|
| Supply voltage | V_{CC} | 2 | — | 6 | V | |
| Control input voltage | V_C | 0 | — | V_{CC} | V | |
| Switch I/O voltage | $V_{IN/OUT}$ | 0 | — | V_{CC} | V | |
| Operating temperature | T_{opr} | -40 | — | +85 | °C | |
| Input rise/fall time | $V_{CC} = 2.0\text{ V}$ | t_r, t_f | 0 | — | 1000 | ns |
| | $V_{CC} = 4.5\text{ V}$ | | 0 | — | 500 | ns |
| | $V_{CC} = 6.0\text{ V}$ | | 0 | — | 400 | ns |

Electrical Characteristics

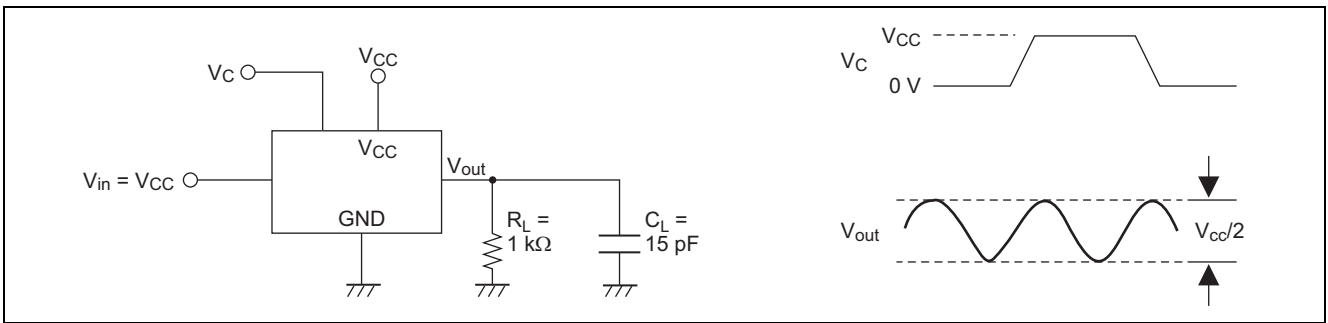
| Item | Symbol | V_{CC} (V) | $T_a = 25^\circ\text{C}$ | | | $T_a = -40\text{ to }+85^\circ\text{C}$ | | Unit | Test Conditions |
|---|-----------------|--------------|--------------------------|------|-----------|---|-----------|---------------|---|
| | | | Min | Typ | Max | Min | Max | | |
| Control input voltage | V_{IH} | 2.0 | 1.5 | — | — | 1.5 | — | V | |
| | | 4.5 | 3.15 | — | — | 3.15 | — | | |
| | | 6.0 | 4.2 | — | — | 4.2 | — | | |
| | V_{IL} | 2.0 | — | — | 0.5 | — | 0.5 | V | |
| | | 4.5 | — | — | 1.35 | — | 1.35 | | |
| | | 6.0 | — | — | 1.8 | — | 1.8 | | |
| “ON” resistance | R_{ON} | 2.0 | — | 2000 | 5000 | — | 6250 | Ω | $V_C = V_{IH}$ $V_{in} = 0\text{ to }V_{CC}$ $I_{in/out} = 1\text{ mA}$ |
| | | 4.5 | — | 100 | 200 | — | 250 | | |
| | | 6.0 | — | 60 | 170 | — | 210 | | |
| Δ ON resistance between any two channels | ΔR_{ON} | 2.0 | — | 50 | — | — | — | Ω | $V_C = V_{IH}$, $I_{in/out} = 1\text{ mA}$ between any two channels |
| | | 4.5 | — | 3 | — | — | — | | |
| | | 6.0 | — | 2 | — | — | — | | |
| OFF channel leakage current (switch off) | $I_{S(OFF)}$ | 6.0 | — | — | ± 0.1 | — | ± 1.0 | μA | $V_C = V_{IL}$ $V_{IN} = V_{CC}$, $V_{out} = \text{GND}$ or, $V_{in} = \text{GND}$, $V_{out} = V_{CC}$ |
| OFF channel leakage current (switch on) | $I_{S(ON)}$ | 6.0 | — | — | ± 0.1 | — | ± 1.0 | μA | $V_C = V_{IH}$ $V_{in} = V_{CC}$ or GND |
| Control input current | I_{in} | 6.0 | — | — | ± 0.1 | — | ± 1.0 | μA | $V_{in} = V_{CC}$ or GND |
| Quiescent supply current | I_{CC} | 6.0 | — | — | 1.0 | — | 10.0 | μA | $V_{in} = V_{CC}$ or GND |

Switching Characteristics ($C_L = 50 \text{ pF}$, Input $t_r = t_f = 6 \text{ ns}$, $V_{EE} = \text{GND}$)

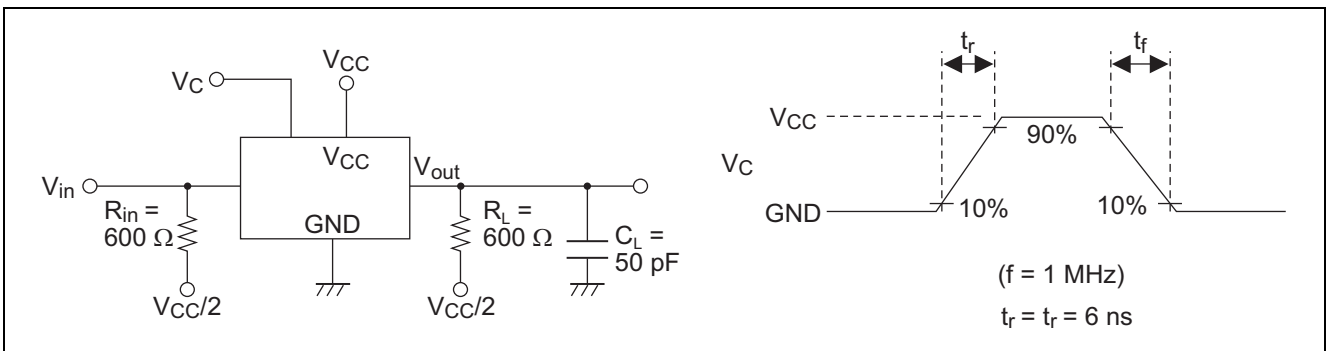
| Item | Symbol | V_{CC} (V) | $T_a = 25^\circ\text{C}$ | | | $T_a = -40 \text{ to } +85^\circ\text{C}$ | | Unit | Test Conditions |
|--|------------------------|--------------|--------------------------|------|-----|---|-----|------|---|
| | | | Min | Typ | Max | Min | Max | | |
| Propagation delay time | t_{PLH} | 2.0 | — | 25 | 60 | — | 75 | ns | $R_L = 10 \text{ k}\Omega$ Switch input to switch output |
| | | 4.5 | — | 6 | 12 | — | 15 | | |
| | | 6.0 | — | 5 | 10 | — | 13 | | |
| | t_{PHL} | 2.0 | — | 25 | 60 | — | 75 | | |
| | | 4.5 | — | 6 | 12 | — | 15 | | |
| | | 6.0 | — | 5 | 10 | — | 13 | | |
| Propagation delay time | t_{PLH} t_{PHT} | 2.0 | — | — | 50 | — | 65 | ns | $R_L = 10 \text{ k}\Omega$ |
| | | 4.5 | — | 4 | 10 | — | 13 | | |
| | | 6.0 | — | — | 9 | — | 11 | | |
| Output enable time | t_{ZH} | 2.0 | — | — | 115 | — | 145 | ns | $R_L = 1 \text{ k}\Omega$ |
| | | 4.5 | — | 10 | 23 | — | 29 | | |
| | | 6.0 | — | — | 20 | — | 25 | | |
| Output disable time | t_{LZ} t_{HZ} | 2.0 | — | — | 115 | — | 145 | ns | $R_L = 1 \text{ k}\Omega$ |
| | | 4.5 | — | 14 | 23 | — | 29 | | |
| | | 6.0 | — | — | 20 | — | 25 | | |
| Sine wave distortion | | 4.5 | — | 0.05 | — | — | — | % | $R_L = 10 \text{ k}\Omega$, $C_L = 50 \text{ pF}$, $f_{IN} = 1 \text{ kHz}$ |
| Band width (-3 dB) | | 4.5 | — | 30 | — | — | — | MHz | $R_L = 600 \Omega$, $C_L = 50 \text{ pF}$, $20 \log_{10} V_{out}/V_{in} = -3\text{dB}$ |
| Feed through attenuation | | 4.5 | — | -50 | — | — | — | dB | $R_L = 600 \Omega$, $C_L = 50 \text{ pF}$, $f_{IN} = 1 \text{ MHz}$ |
| Cross talk between control input to signal I/O | | 2.0 | — | 25 | — | — | — | mA | $R_L = 600 \Omega$, $C_L = 50 \text{ pF}$, $f_{IN} = 1 \text{ MHz}$ |
| | | 4.5 | — | 60 | — | — | — | | |
| | | 6.0 | — | 75 | — | — | — | | |
| Cross talk between any two switches | | 4.5 | — | -50 | — | — | — | dB | $R_L = 600 \Omega$, $C_L = 50 \text{ pF}$, $f_{IN} = 1 \text{ MHz}$ |
| Maximum control frequency | | 2.0 | — | 20 | — | — | — | MHz | $R_L = 1 \text{ k}\Omega$, $C_L = 15 \text{ pF}$, $V_{out} = 1/2 (V_{CC})$ |
| | | 4.5 | — | 30 | — | — | — | | |
| | | 6.0 | — | 30 | — | — | — | | |
| Control input capacitance | C_{in} | | — | 5 | 10 | — | 10 | pF | |
| Switch I/O capacitance | $C_{in/out}$ | | — | 6 | — | — | — | pF | |
| Feed through capacitance | $C_{in/out}$ | | — | 0.5 | — | — | — | pF | |
| Power dissipation capacitance | C_{PD} | | — | 13 | — | — | — | pF | |

Test Circuit

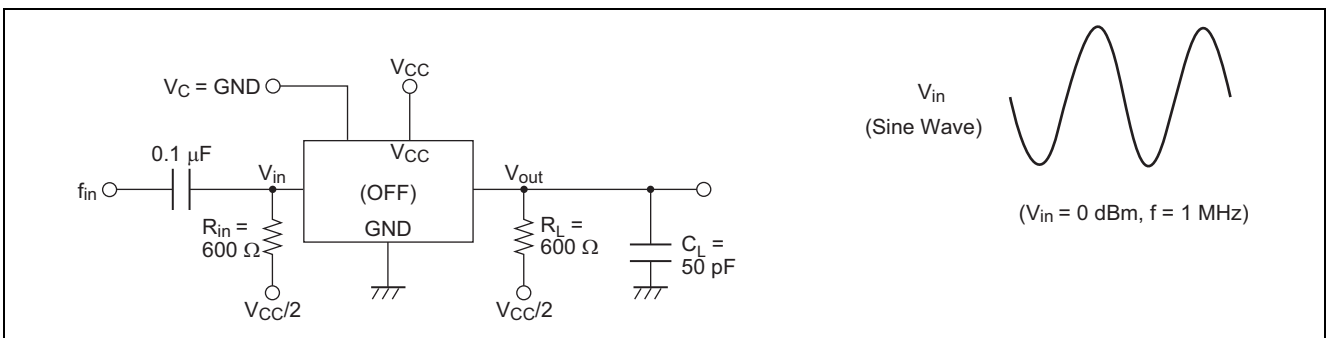
Maximum Control Frequency



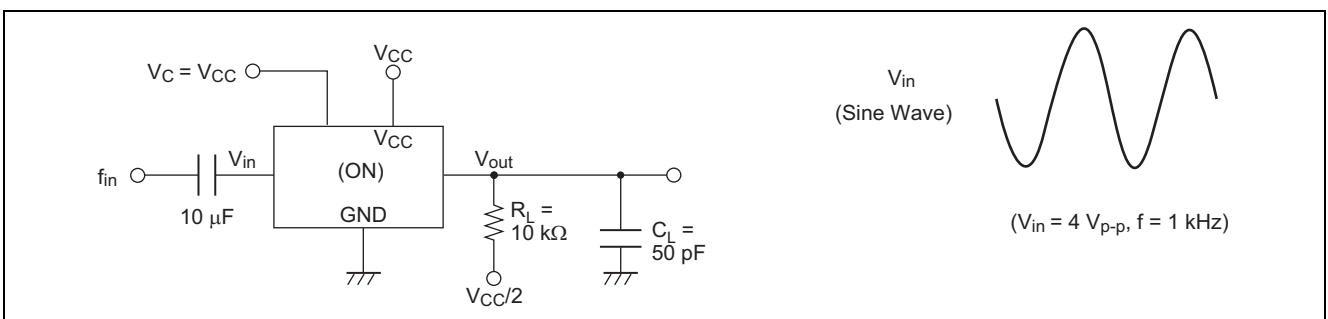
Cross talk (Control Input to Switch Output)



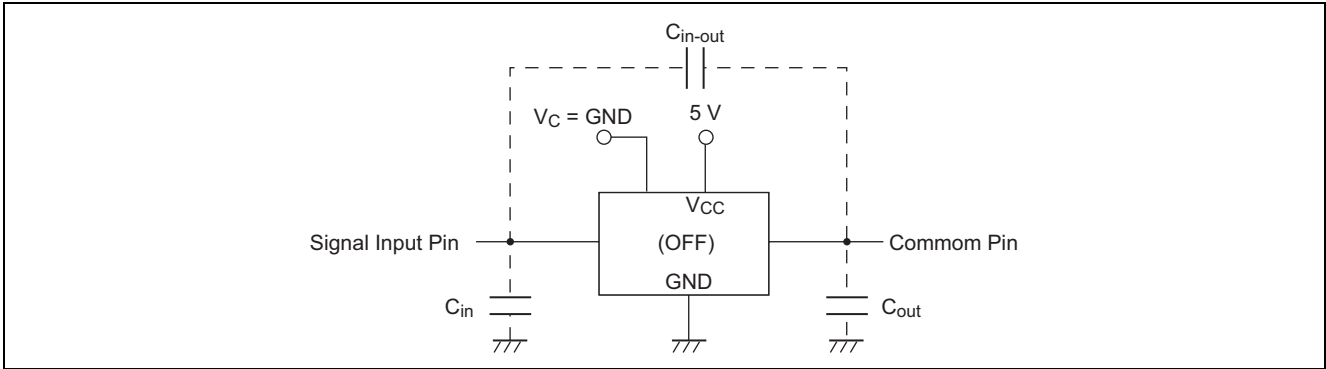
Feed through Attenuation



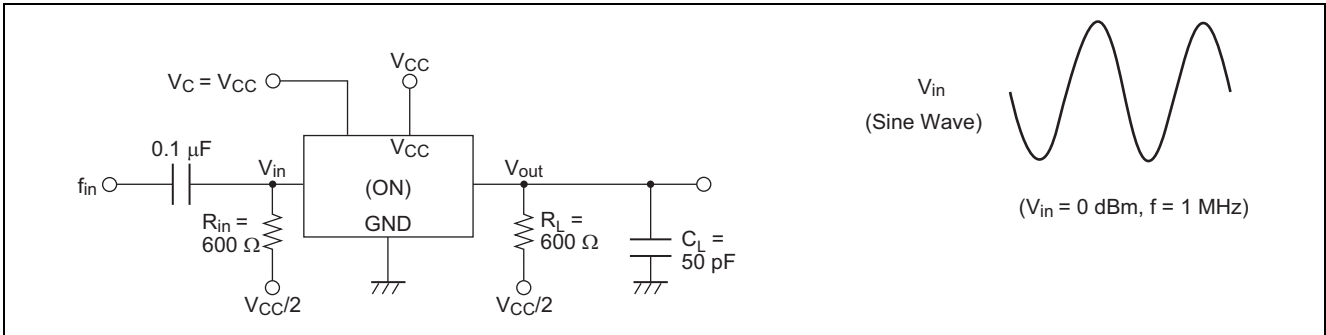
Sine Wave Distortion



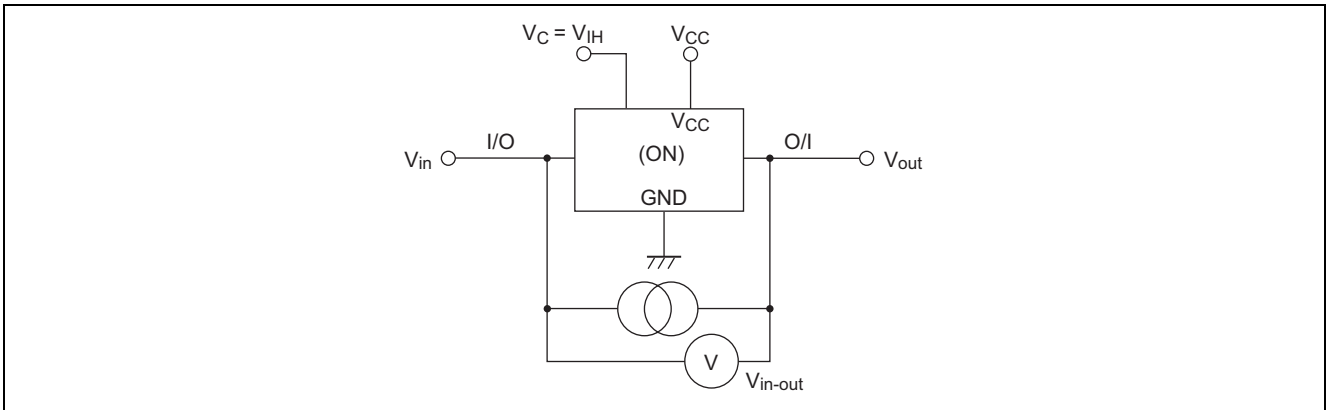
C_{in}, C_{out}, C_{in-out} (Input, Output, and Feed through Capacitance)



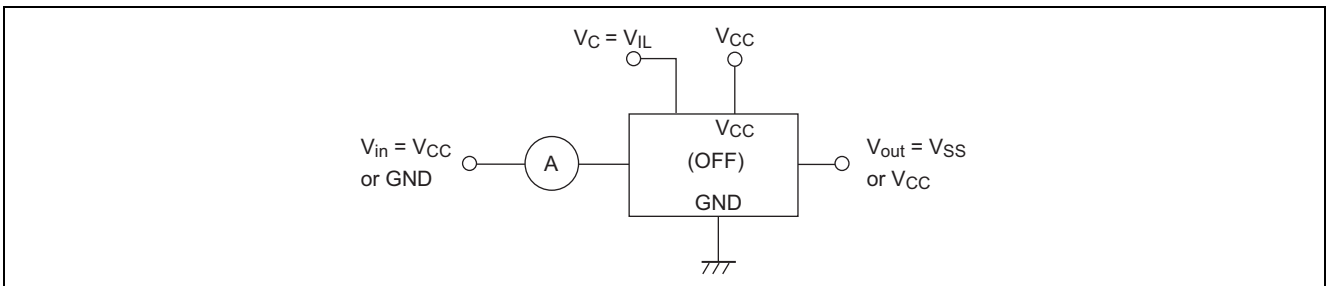
Switch Frequency Response Band Width (-3dB)



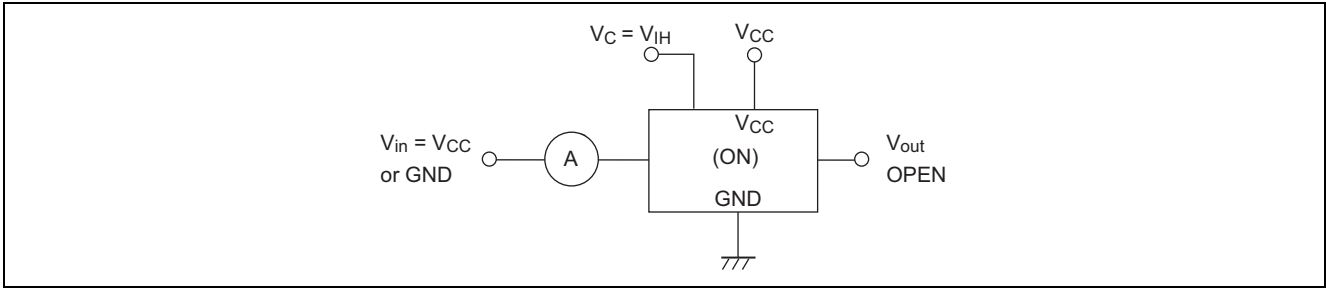
R_{ON}: ON Resistance



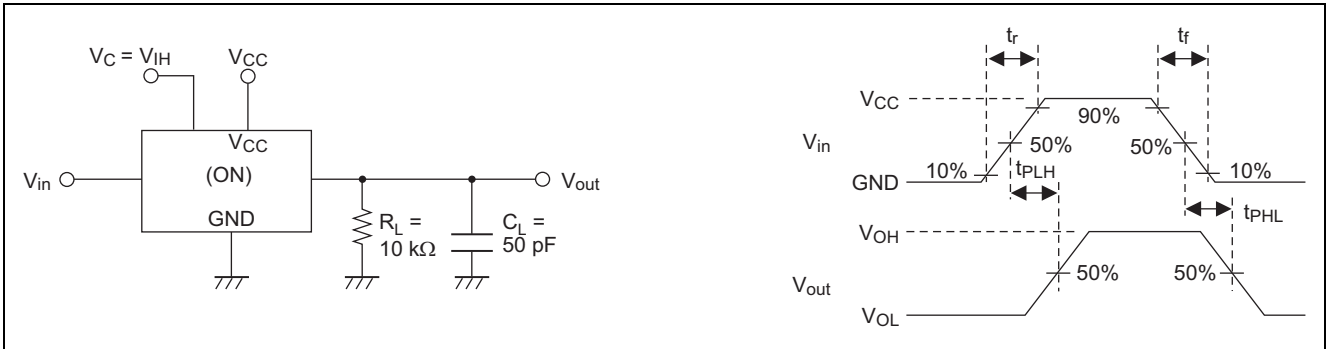
I_s (OFF): OFF Channel Leakage Current (Switch OFF)



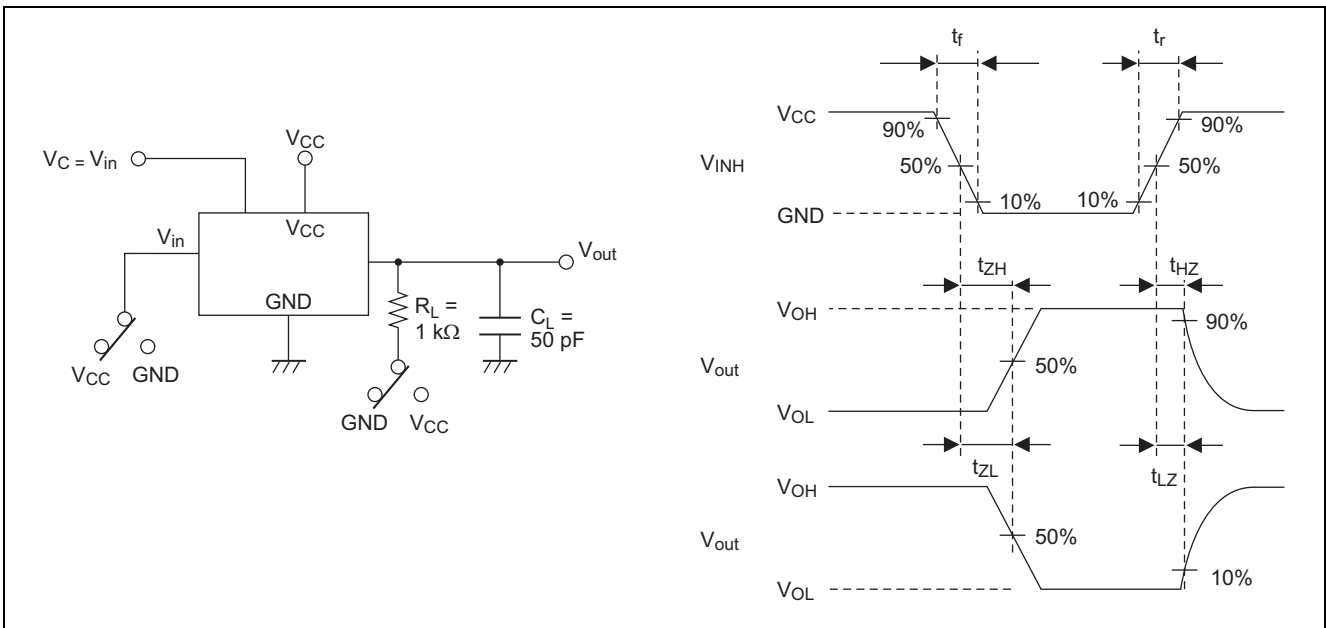
I_s (ON): OFF Channel Leakage Current (Switch ON)



t_{PLH} , t_{PHL} : Propagation Delay Time (Switch Input to Switch Output)

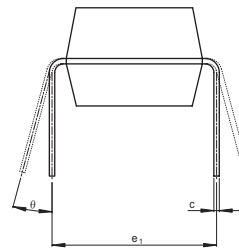
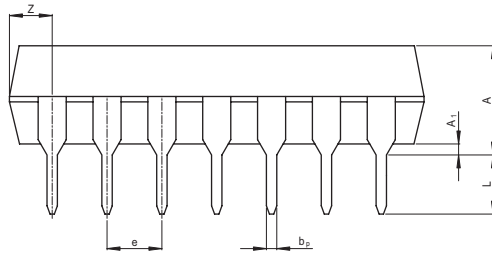
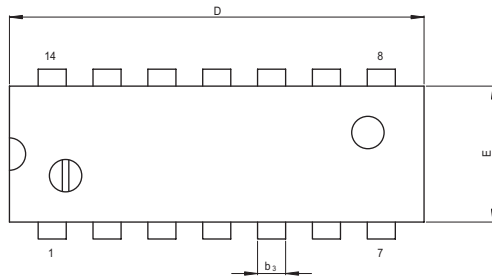


t_{ZH} , t_{ZL}/t_{HZ} , t_{LZ} : Output Enable and Disable Time



Package Dimensions

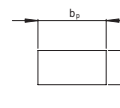
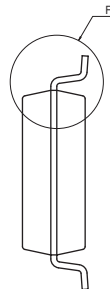
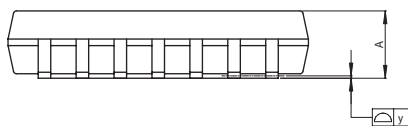
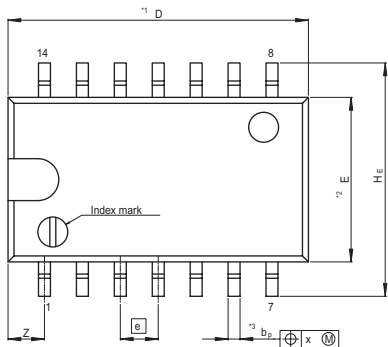
| | | | |
|-----------------------|--------------|---------------|------------|
| JEITA Package Code | RENESAS Code | Previous Code | MASS[Typ.] |
| P-DIP14-6.3x19.2-2.54 | PRDP0014AB-B | DP-14AV | 0.97g |



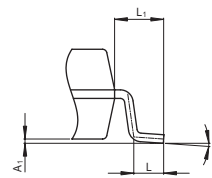
(Ni/Pd/Au plating)

| Reference Symbol | Dimension in Millimeters | | |
|------------------|--------------------------|------|-------|
| | Min | Nom | Max |
| e ₁ | — | 7.62 | — |
| D | — | 19.2 | 20.32 |
| E | — | 6.3 | 7.4 |
| A | — | — | 5.06 |
| A ₁ | 0.51 | — | — |
| b _p | 0.40 | 0.48 | 0.56 |
| b ₃ | — | 1.30 | — |
| c | 0.19 | 0.25 | 0.31 |
| θ | 0° | — | 15° |
| e | 2.29 | 2.54 | 2.79 |
| Z | — | — | 2.39 |
| L | 2.54 | — | — |

| | | | |
|------------------------|--------------|---------------|------------|
| JEITA Package Code | RENESAS Code | Previous Code | MASS[Typ.] |
| P-SOP14-5.5x10.06-1.27 | PRSP0014DF-B | FP-14DAV | 0.23g |



Terminal cross section (Ni/Pd/Au plating)



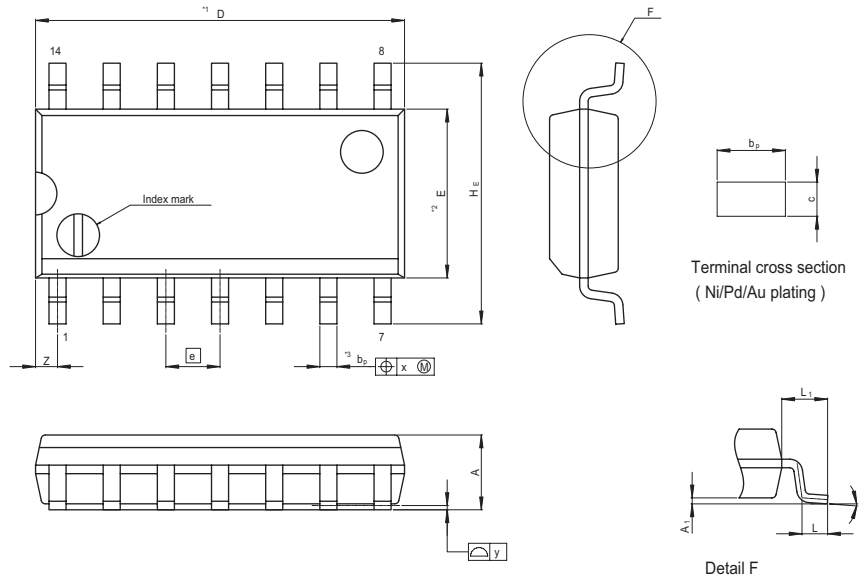
Detail F

NOTE)
 1. DIMENSIONS**1 (Nom)*AND**2 DO NOT INCLUDE MOLD FLASH.
 2. DIMENSION**3*DOES NOT INCLUDE TRIM OFFSET.

| Reference Symbol | Dimension in Millimeters | | |
|------------------|--------------------------|-------|------|
| | Min | Nom | Max |
| D | — | 10.06 | 10.5 |
| E | — | 5.50 | — |
| A ₂ | — | — | — |
| A ₁ | 0.00 | 0.10 | 0.20 |
| A | — | — | 2.20 |
| b _p | 0.34 | 0.40 | 0.46 |
| b ₁ | — | — | — |
| c | 0.15 | 0.20 | 0.25 |
| c ₁ | — | — | — |
| θ | 0° | — | 8° |
| H _E | 7.50 | 7.80 | 8.00 |
| Ⓧ | — | 1.27 | — |
| x | — | — | 0.12 |
| y | — | — | 0.15 |
| Z | — | — | 1.42 |
| L | 0.50 | 0.70 | 0.90 |
| L ₁ | — | 1.15 | — |

HD74HC4066

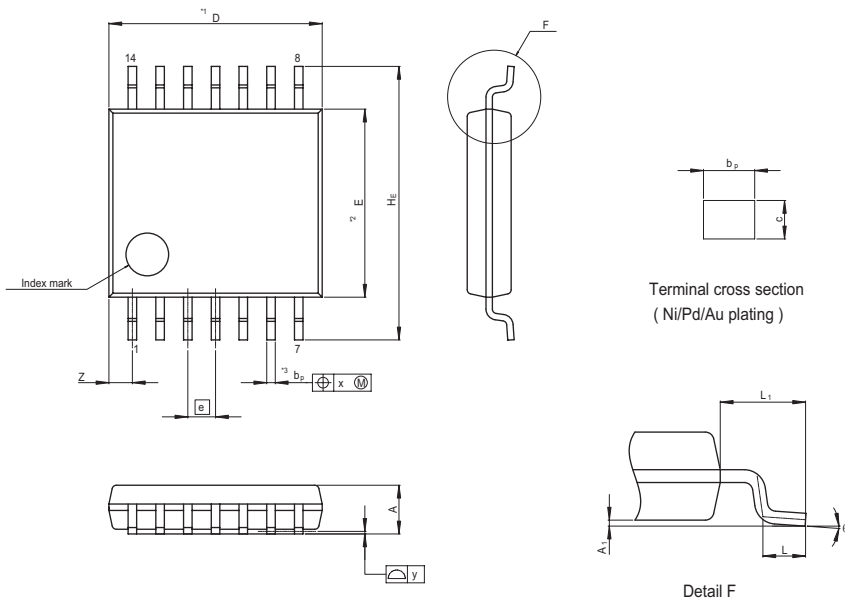
| | | | |
|------------------------|--------------|---------------|------------|
| JEITA Package Code | RENESAS Code | Previous Code | MASS[Typ.] |
| P-SOP14-3.95x8.65-1.27 | PRSP0014DE-A | FP-14DNV | 0.13g |



NOTE)
 1. DIMENSIONS**1 (Nom)**AND**2*
 DO NOT INCLUDE MOLD FLASH.
 2. DIMENSION**3*DOES NOT
 INCLUDE TRIM OFFSET.

| Reference Symbol | Dimension in Millimeters | | |
|------------------|--------------------------|------|-------|
| | Min | Nom | Max |
| D | — | 8.65 | 9.05 |
| E | — | 3.95 | — |
| A ₂ | — | — | — |
| A ₁ | 0.10 | 0.14 | 0.25 |
| A | — | — | 1.75 |
| b _p | 0.34 | 0.40 | 0.46 |
| b ₁ | — | — | — |
| c | 0.15 | 0.20 | 0.25 |
| c ₁ | — | — | — |
| θ | 0° | — | 8° |
| HE | 5.80 | 6.10 | 6.20 |
| e | — | 1.27 | — |
| x | — | — | 0.25 |
| y | — | — | 0.15 |
| Z | — | — | 0.635 |
| L | 0.40 | 0.60 | 1.27 |
| L ₁ | — | 1.08 | — |

| | | | |
|----------------------|--------------|---------------|------------|
| JEITA Package Code | RENESAS Code | Previous Code | MASS[Typ.] |
| P-TSSOP14-4.4x5-0.65 | PTSP0014JA-B | TTP-14DV | 0.05g |



NOTE)
 1. DIMENSIONS**1 (Nom)**AND**2*
 DO NOT INCLUDE MOLD FLASH.
 2. DIMENSION**3*DOES NOT
 INCLUDE TRIM OFFSET.

| Reference Symbol | Dimension in Millimeters | | |
|------------------|--------------------------|------|------|
| | Min | Nom | Max |
| D | — | 5.00 | 5.30 |
| E | — | 4.40 | — |
| A ₂ | — | — | — |
| A ₁ | 0.03 | 0.07 | 0.10 |
| A | — | — | 1.10 |
| b _p | 0.15 | 0.20 | 0.25 |
| b ₁ | — | — | — |
| c | 0.10 | 0.15 | 0.20 |
| c ₁ | — | — | — |
| θ | 0° | — | 8° |
| HE | 6.20 | 6.40 | 6.60 |
| e | — | 0.65 | — |
| x | — | — | 0.13 |
| y | — | — | 0.10 |
| Z | — | — | 0.83 |
| L | 0.4 | 0.5 | 0.6 |
| L ₁ | — | 1.0 | — |

Keep safety first in your circuit designs!

1. Renesas Technology Corp. puts the maximum effort into making semiconductor products better and more reliable, but there is always the possibility that trouble may occur with them. Trouble with semiconductors may lead to personal injury, fire or property damage. Remember to give due consideration to safety when making your circuit designs, with appropriate measures such as (i) placement of substitutive, auxiliary circuits, (ii) use of nonflammable material or (iii) prevention against any malfunction or mishap.

Notes regarding these materials

1. These materials are intended as a reference to assist our customers in the selection of the Renesas Technology Corp. product best suited to the customer's application; they do not convey any license under any intellectual property rights, or any other rights, belonging to Renesas Technology Corp. or a third party.
 2. Renesas Technology Corp. assumes no responsibility for any damage, or infringement of any third-party's rights, originating in the use of any product data, diagrams, charts, programs, algorithms, or circuit application examples contained in these materials.
 3. All information contained in these materials, including product data, diagrams, charts, programs and algorithms represents information on products at the time of publication of these materials, and are subject to change by Renesas Technology Corp. without notice due to product improvements or other reasons. It is therefore recommended that customers contact Renesas Technology Corp. or an authorized Renesas Technology Corp. product distributor for the latest product information before purchasing a product listed herein.
The information described here may contain technical inaccuracies or typographical errors.
Renesas Technology Corp. assumes no responsibility for any damage, liability, or other loss rising from these inaccuracies or errors.
Please also pay attention to information published by Renesas Technology Corp. by various means, including the Renesas Technology Corp. Semiconductor home page (<http://www.renesas.com>).
 4. When using any or all of the information contained in these materials, including product data, diagrams, charts, programs, and algorithms, please be sure to evaluate all information as a total system before making a final decision on the applicability of the information and products. Renesas Technology Corp. assumes no responsibility for any damage, liability or other loss resulting from the information contained herein.
 5. Renesas Technology Corp. semiconductors are not designed or manufactured for use in a device or system that is used under circumstances in which human life is potentially at stake. Please contact Renesas Technology Corp. or an authorized Renesas Technology Corp. product distributor when considering the use of a product contained herein for any specific purposes, such as apparatus or systems for transportation, vehicular, medical, aerospace, nuclear, or undersea repeater use.
 6. The prior written approval of Renesas Technology Corp. is necessary to reprint or reproduce in whole or in part these materials.
 7. If these products or technologies are subject to the Japanese export control restrictions, they must be exported under a license from the Japanese government and cannot be imported into a country other than the approved destination.
Any diversion or reexport contrary to the export control laws and regulations of Japan and/or the country of destination is prohibited.
 8. Please contact Renesas Technology Corp. for further details on these materials or the products contained therein.
-



RENESAS SALES OFFICES

<http://www.renesas.com>

Refer to "<http://www.renesas.com/en/network>" for the latest and detailed information.

Renesas Technology America, Inc.

450 Holger Way, San Jose, CA 95134-1368, U.S.A
Tel: <1> (408) 382-7500, Fax: <1> (408) 382-7501

Renesas Technology Europe Limited

Dukes Meadow, Millboard Road, Bourne End, Buckinghamshire, SL8 5FH, U.K.
Tel: <44> (1628) 585-100, Fax: <44> (1628) 585-900

Renesas Technology (Shanghai) Co., Ltd.

Unit 204, 205, AZIACenter, No.1233 Lujiazui Ring Rd, Pudong District, Shanghai, China 200120
Tel: <86> (21) 5877-1818, Fax: <86> (21) 6887-7898

Renesas Technology Hong Kong Ltd.

7th Floor, North Tower, World Finance Centre, Harbour City, 1 Canton Road, Tsimshatsui, Kowloon, Hong Kong
Tel: <852> 2265-6688, Fax: <852> 2730-6071

Renesas Technology Taiwan Co., Ltd.

10th Floor, No.99, Fushing North Road, Taipei, Taiwan
Tel: <886> (2) 2715-2888, Fax: <886> (2) 2713-2999

Renesas Technology Singapore Pte. Ltd.

1 Harbour Front Avenue, #06-10, Keppel Bay Tower, Singapore 098632
Tel: <65> 6213-0200, Fax: <65> 6278-8001

Renesas Technology Korea Co., Ltd.

Kukje Center Bldg. 18th Fl., 191, 2-ka, Hangang-ro, Yongsan-ku, Seoul 140-702, Korea
Tel: <82> (2) 796-3115, Fax: <82> (2) 796-2145

Renesas Technology Malaysia Sdn. Bhd

Unit 906, Block B, Menara Amcorp, Amcorp Trade Centre, No.18, Jalan Persiaran Barat, 46050 Petaling Jaya, Selangor Darul Ehsan, Malaysia
Tel: <603> 7955-9390, Fax: <603> 7955-9510