

HD74LV573A

Octal D-type Transparent Latches with 3-state Outputs

HITACHI

ADE-205-279A (Z)
2nd Edition
July 1999

Description

The HD74LV573A has eight D-type latches with three-state outputs in a 20-pin package. When the latch enable input is high, the Q outputs will follow the D inputs. When the latch enable goes low, data at the D inputs will be retained at the outputs until latch enable returns high again. When a high logic level is applied to the output control input, all outputs go to a high impedance state, regardless of what signals are present at the other inputs and the state of the storage elements. Low-voltage and high-speed operation is suitable for the battery-powered products (e.g., notebook computers), and the low-power consumption extends the battery life.

Features

- $V_{CC} = 2.0\text{ V}$ to 5.5 V operation
- All inputs $V_{IH}(\text{Max.}) = 5.5\text{ V}$ ($@V_{CC} = 0\text{ V}$ to 5.5 V)
- All outputs $V_O(\text{Max.}) = 5.5\text{ V}$ ($@V_{CC} = 0\text{ V}$)
- Typical V_{OL} ground bounce $< 0.8\text{ V}$ ($@V_{CC} = 3.3\text{ V}$, $T_a = 25^\circ\text{C}$)
- Typical V_{OH} undershoot $> 2.3\text{ V}$ ($@V_{CC} = 3.3\text{ V}$, $T_a = 25^\circ\text{C}$)
- Output current $\pm 8\text{ mA}$ ($@V_{CC} = 3.0\text{ V}$ to 3.6 V), $\pm 16\text{ mA}$ ($@V_{CC} = 4.5\text{ V}$ to 5.5 V)

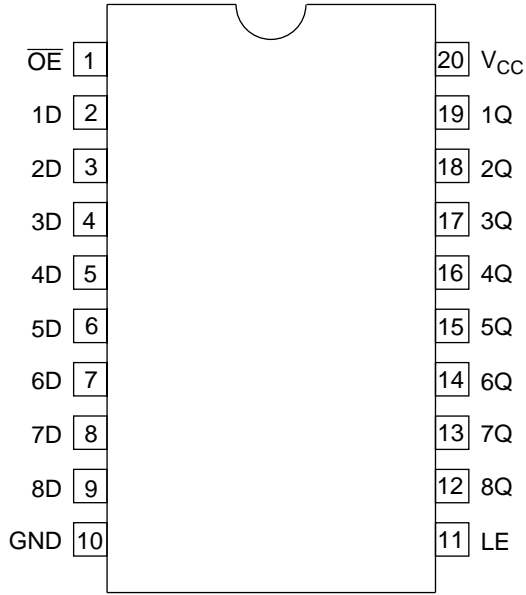
Function Table

Inputs

\overline{OE}	LE	D	Output Q
L	H	H	H
L	H	L	L
L	L	X	Q_0
H	X	X	Z

Note: H: High level
L: Low level
X: Immaterial
Z: High impedance
 Q_0 : Output level before the indicated steady state input conditions were established

Pin Arrangement



(Top view)

Absolute Maximum Ratings

Item	Symbol	Ratings	Unit	Conditions
Supply voltage range	V_{CC}	-0.5 to 7.0	V	
Input voltage range* ¹	V_I	-0.5 to 7.0	V	
Output voltage range* ^{1,2}	V_O	-0.5 to $V_{CC} + 0.5$ -0.5 to 7.0	V	Output: H or L V_{CC} : Z or V_{CC} : OFF
Input clamp current	I_{IK}	-20	mA	$V_I < 0$
Output clamp current	I_{OK}	± 50	mA	$V_O < 0$ or $V_O > V_{CC}$
Continuous output current	I_O	± 35	mA	$V_O = 0$ to V_{CC}
Continuous current through V_{CC} or GND	I_{CC} or I_{GND}	± 70	mA	
Maximum power dissipation at $T_a = 25^\circ\text{C}$ (in still air)* ³	P_T	835	mW	SOP
		757		TSSOP
Storage temperature	T_{stg}	-65 to 150	$^\circ\text{C}$	

Notes: The absolute maximum ratings are values which must not individually be exceeded, and furthermore, no two of which may be realized at the same time.

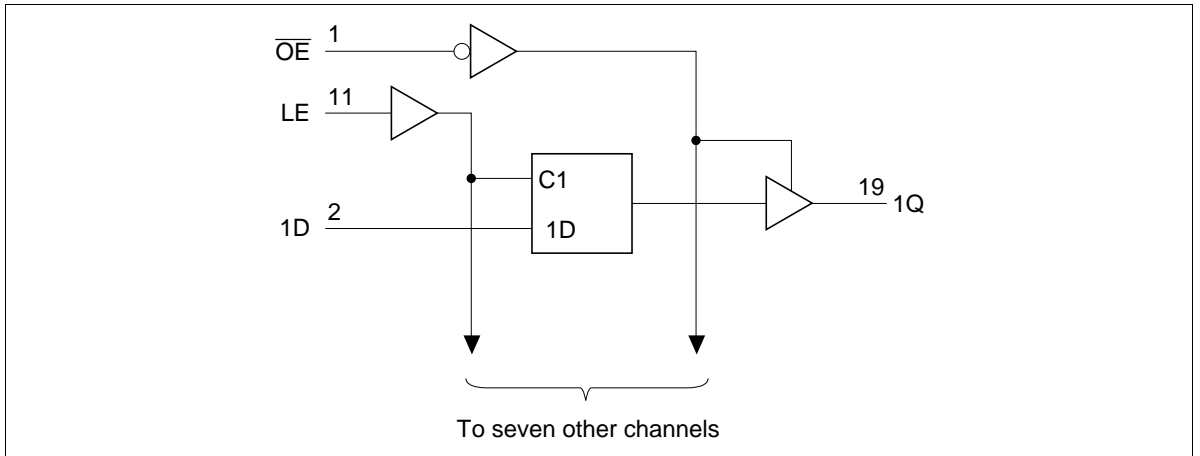
1. The input and output voltage ratings may be exceeded if the input and output clamp-current ratings are observed.
2. This value is limited to 5.5 V maximum.
3. The maximum package power dissipation was calculated using a junction temperature of 150°C .

Recommended Operating Conditions

Item	Symbol	Min	Max	Unit	Conditions
Supply voltage range	V_{CC}	2.0	5.5	V	
Input voltage range	V_I	0	5.5	V	
Output voltage range	V_O	0	V_{CC}	V	H or L
		0	5.5		Output: Z
Output current	I_{OH}	—	-50	μA	$V_{CC} = 2.0 V$
		—	-2	mA	$V_{CC} = 2.3 \text{ to } 2.7 V$
		—	-8		$V_{CC} = 3.0 \text{ to } 3.6 V$
		—	-16	$V_{CC} = 4.5 \text{ to } 5.5 V$	
	I_{OL}	—	50	μA	$V_{CC} = 2.0 V$
		—	2	mA	$V_{CC} = 2.3 \text{ to } 2.7 V$
		—	8		$V_{CC} = 3.0 \text{ to } 3.6 V$
		—	16	$V_{CC} = 4.5 \text{ to } 5.5 V$	
Input transition rise or fall rate	$\Delta t/\Delta v$	0	200	ns/V	$V_{CC} = 2.3 \text{ to } 2.7 V$
		0	100		$V_{CC} = 3.0 \text{ to } 3.6 V$
		0	20		$V_{CC} = 4.5 \text{ to } 5.5 V$
Operating free-air temperature	T_a	-40	85	$^{\circ}C$	

Note: Unused or floating inputs must be held high or low.

Logic Diagram



DC Electrical Characteristics

- $T_a = -40$ to 85°C

Item	Symbol	V_{CC} (V)*	Min	Typ	Max	Unit	Test Conditions
Input voltage	V_{IH}	2.0	1.5	—	—	V	
		2.3 to 2.7	$V_{CC} \times 0.7$	—	—		
		3.0 to 3.6	$V_{CC} \times 0.7$	—	—		
		4.5 to 5.5	$V_{CC} \times 0.7$	—	—		
	V_{IL}	2.0	—	—	0.5		
		2.3 to 2.7	—	—	$V_{CC} \times 0.3$		
		3.0 to 3.6	—	—	$V_{CC} \times 0.3$		
		4.5 to 5.5	—	—	$V_{CC} \times 0.3$		
Output voltage	V_{OH}	Min to Max	$V_{CC} - 0.1$	—	—	V	$I_{OH} = -50 \mu\text{A}$
		2.3	2.0	—	—		$I_{OH} = -2 \text{ mA}$
		3.0	2.48	—	—		$I_{OH} = -8 \text{ mA}$
		4.5	3.8	—	—		$I_{OH} = -16 \text{ mA}$
	V_{OL}	Min to Max	—	—	0.1		$I_{OL} = 50 \mu\text{A}$
		2.3	—	—	0.4		$I_{OL} = 2 \text{ mA}$
		3.0	—	—	0.44		$I_{OL} = 8 \text{ mA}$
		4.5	—	—	0.55		$I_{OL} = 16 \text{ mA}$
Input current	I_{IN}	0 to 5.5	—	—	± 1	μA	$V_I = 5.5 \text{ V}$ or GND
Off-state output current	I_{OZ}	5.5	—	—	± 5	μA	$V_O = V_{CC}$ or GND
Quiescent supply current	I_{CC}	5.5	—	—	20	μA	$V_I = V_{CC}$ or GND, $I_o = 0$
Output leakage current	I_{OFF}	0	—	—	5	μA	V_I or $V_O = 0 \text{ V}$ to 5.5 V
Input capacitance	C_{IN}	3.3	—	1.8	—	pF	$V_I = V_{CC}$ or GND

Note: For conditions shown as Min or Max, use the appropriate values under recommended operating conditions.

Switching Characteristics

- $V_{CC} = 2.5 \pm 0.2 \text{ V}$

Item	Symbol	Ta = 25°C			Ta = -40 to 85°C		Unit	Test Conditions	FROM (Input)	TO (Output)
		Min	Typ	Max	Min	Max				
Propagation delay time	t_{PLH}	—	8.9	15.8	1.0	18.0	ns	$C_L = 15 \text{ pF}$	D	Q
	t_{PHL}	—	9.6	16.2	1.0	19.0			LE	
		—	10.9	18.7	1.0	21.0		$C_L = 50 \text{ pF}$	D	
		—	11.6	19.1	1.0	23.0			LE	
Enable time	t_{ZH}	—	9.3	16.2	1.0	19.0	ns	$C_L = 15 \text{ pF}$	\overline{OE}	Q
	t_{ZL}	—	11.4	19.0	1.0	22.0		$C_L = 50 \text{ pF}$		
Disable time	t_{HZ}	—	6.7	12.6	1.0	15.0	ns	$C_L = 15 \text{ pF}$	\overline{OE}	Q
	t_{LZ}	—	8.6	17.3	1.0	19.0		$C_L = 50 \text{ pF}$		
Setup time	t_{su}	5.0	—	—	5.0	—	ns		Data before LE ↓	
Hold time	t_h	2.0	—	—	2.0	—	ns		Data after LE ↓	
Pulse width	t_w	6.5	—	—	6.5	—	ns		LE "H"	

Switching Characteristics (cont)

- $V_{CC} = 3.3 \pm 0.3 \text{ V}$

Ta = 25°C **Ta = -40 to 85°C**

Item	Symbol	Ta = 25°C			Ta = -40 to 85°C		Unit	Test Conditions	FROM	TO
		Min	Typ	Max	Min	Max			(Input)	(Output)
Propagation delay time	t_{PLH}	—	6.2	11.0	1.0	13.0	ns	$C_L = 15 \text{ pF}$	D	Q
	t_{PHL}	—	6.8	11.9	1.0	14.0			LE	
		—	7.7	14.5	1.0	16.5		$C_L = 50 \text{ pF}$	D	
		—	8.2	15.4	1.0	17.5			LE	
Enable time	t_{ZH}	—	6.6	11.5	1.0	13.5	ns	$C_L = 15 \text{ pF}$	\overline{OE}	Q
	t_{ZL}	—	8.0	15.0	1.0	17.0		$C_L = 50 \text{ pF}$		
Disable time	t_{HZ}	—	4.9	11.0	1.0	13.0	ns	$C_L = 15 \text{ pF}$	\overline{OE}	Q
	t_{LZ}	—	6.2	14.5	1.0	16.5		$C_L = 50 \text{ pF}$		
Setup time	t_{su}	3.5	—	—	3.5	—	ns		Data before LE ↓	
Hold time	t_h	1.5	—	—	1.5	—	ns		Data after LE ↓	
Pulse width	t_w	5.0	—	—	5.0	—	ns		LE "H"	

Switching Characteristics (cont)

- $V_{CC} = 5.0 \pm 0.5$ V

Item	Symbol	Ta = 25°C			Ta = -40 to 85°C		Unit	Test Conditions	FROM (Input)	TO (Output)
		Min	Typ	Max	Min	Max				
Propagation delay time	t_{PLH}	—	4.3	6.8	1.0	8.0	ns	$C_L = 15$ pF	D	Q
		—	4.7	7.7	1.0	9.0				
	t_{PHL}	—	5.3	8.8	1.0	10.0	ns	$C_L = 50$ pF	D	Q
		—	5.7	9.7	1.0	11.0				
Enable time	t_{ZH}	—	4.7	7.7	1.0	9.0	ns	$C_L = 15$ pF	\overline{OE}	Q
	t_{ZL}	—	5.7	9.7	1.0	11.0				
Disable time	t_{HZ}	—	3.5	7.7	1.0	9.0	ns	$C_L = 15$ pF	\overline{OE}	Q
	t_{LZ}	—	4.2	9.7	1.0	11.0				
Setup time	t_{su}	3.5	—	—	3.5	—	ns		Data before LE ↓	
Hold time	t_h	1.5	—	—	1.5	—	ns		Data after LE ↓	
Pulse width	t_w	5.0	—	—	5.0	—	ns		LE "H"	

Output-skew Characteristics

Item	Symbol	V_{CC} (V)	Ta = 25°C			Ta = -40 to 85°C		Unit
			Min	Typ	Max	Min	Max	
Output skew	$t_{sk(O)}$	2.3 to 2.7	—	—	2.0	—	2.0	ns
		3.0 to 3.6	—	—	1.5	—	1.5	
		4.5 to 5.5	—	—	1.0	—	1.0	

Note: Skew between any outputs of the same package switching in the same direction. This parameter is warranted but not production tested.

Operating Characteristics

- $C_L = 50 \text{ pF}$

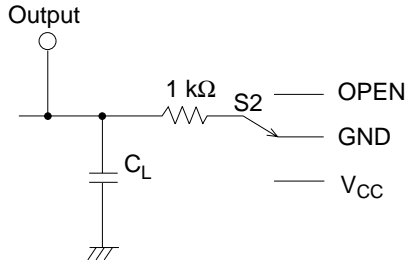
Item	Symbol	V_{CC} (V)	$T_a = 25^\circ\text{C}$			Unit	Test Conditions
			Min	Typ	Max		
Power dissipation capacitance	C_{PD}	3.3	—	16	—	pF	f = 10 MHz
		5.0	—	18	—		

Noise Characteristics

- $C_L = 50 \text{ pF}$

Item	Symbol	V_{CC} (V)	$T_a = 25^\circ\text{C}$			Unit	Test Conditions
			Min	Typ	Max		
Quiet output, maximum dynamic V_{OL}	$V_{OL(P)}$	3.3	—	0.6	0.8	V	
Quiet output, minimum dynamic V_{OL}	$V_{OL(V)}$	3.3	—	-0.5	-0.8		
Quiet output, minimum dynamic V_{OH}	$V_{OH(V)}$	3.3	—	2.9	—		
High-level dynamic input voltage	$V_{IH(D)}$	3.3	2.31	—	—	V	
Low-level dynamic input voltage	$V_{IL(D)}$	3.3	—	—	0.99		

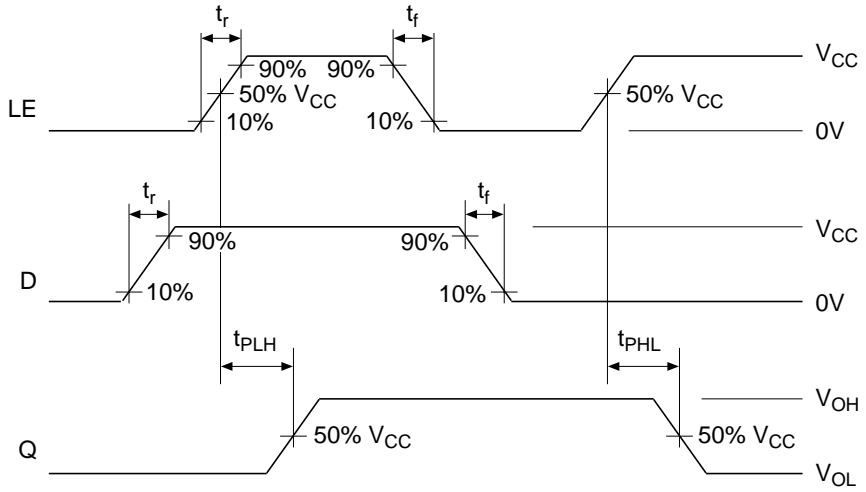
Test Circuit



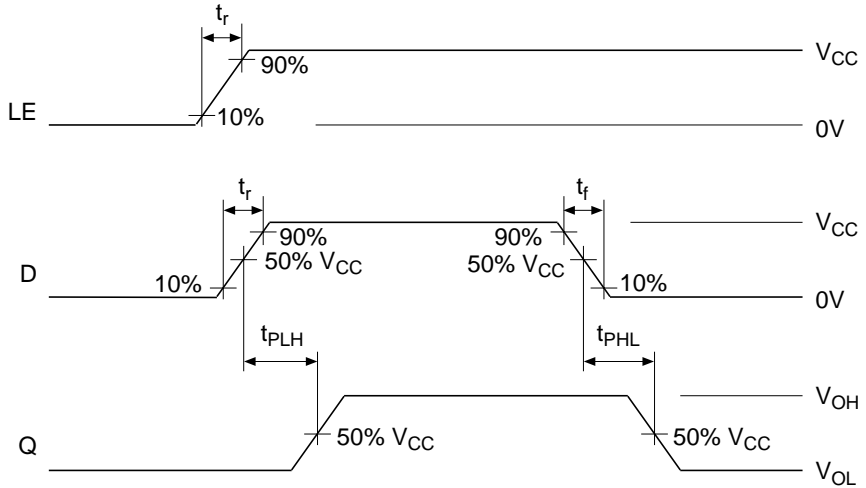
TEST	S2
t_{PLH}/t_{PHL}	OPEN
t_{ZH}/t_{HZ}	GND
t_{ZL}/t_{LZ}	VCC

Note: C_L includes the probe and jig capacitance.

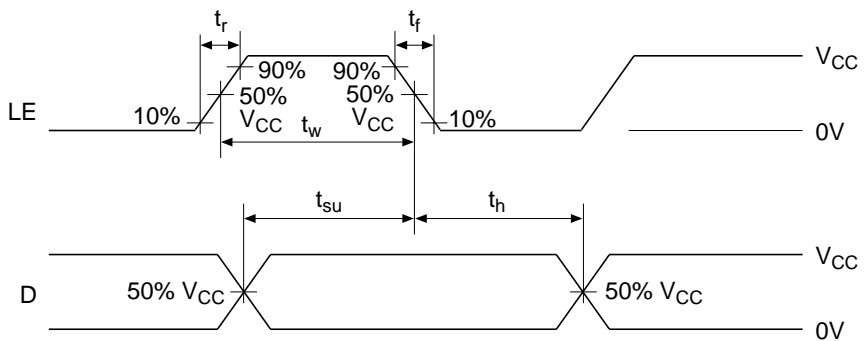
• Waveform – 1



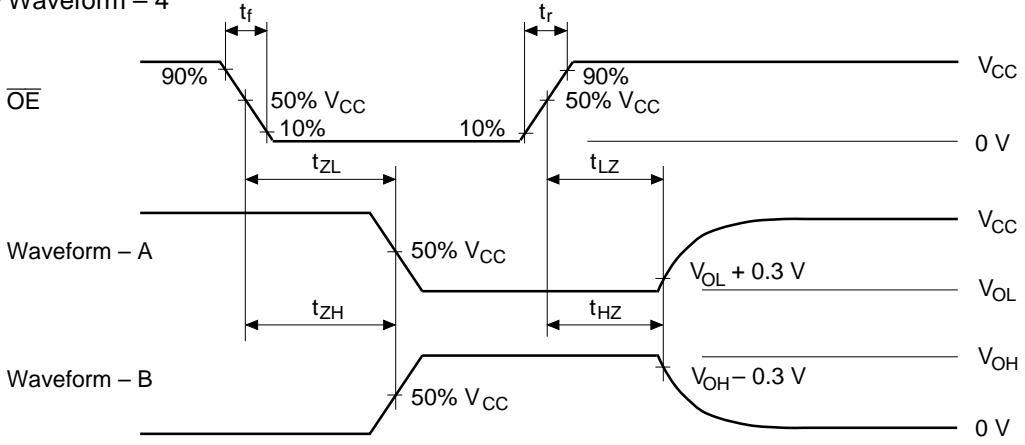
• Waveform – 2



• Waveform – 3

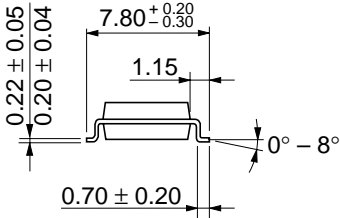
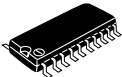
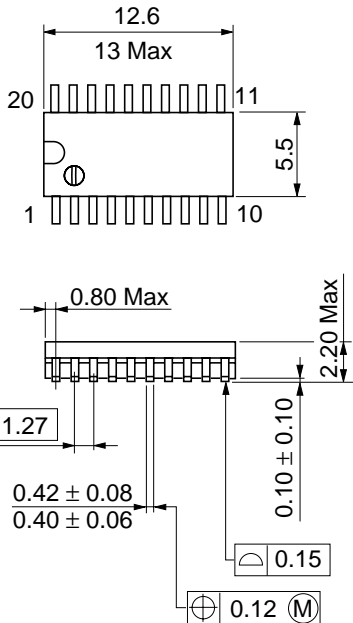


• Waveform – 4



- Notes:
1. Input waveform: $PRR \leq 1 \text{ MHz}$, $Z_o = 50 \Omega$, $t_r \leq 3 \text{ ns}$, $t_f \leq 3 \text{ ns}$
 2. Waveform-A is for an output with internal conditions such that the output is low except when disabled by the output control.
 3. Waveform-B is for an output with internal conditions such that the output is high except when disabled by the output control.
 4. The output is measured one at a time with one transition per measurement.

Package Dimensions

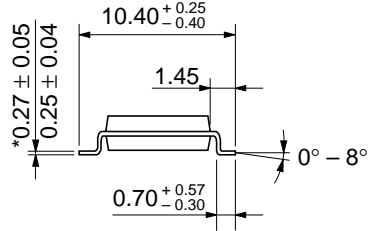
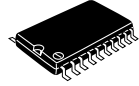
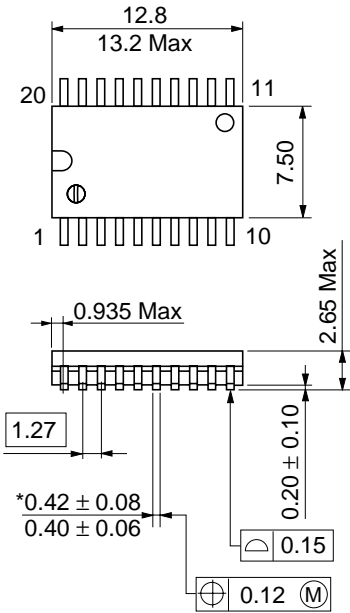


Dimension including the plating thickness
Base material dimension

Hitachi Code	FP-20DA
JEDEC	—
EIAJ	Conforms
Weight (reference value)	0.31 g

HD74LV573A

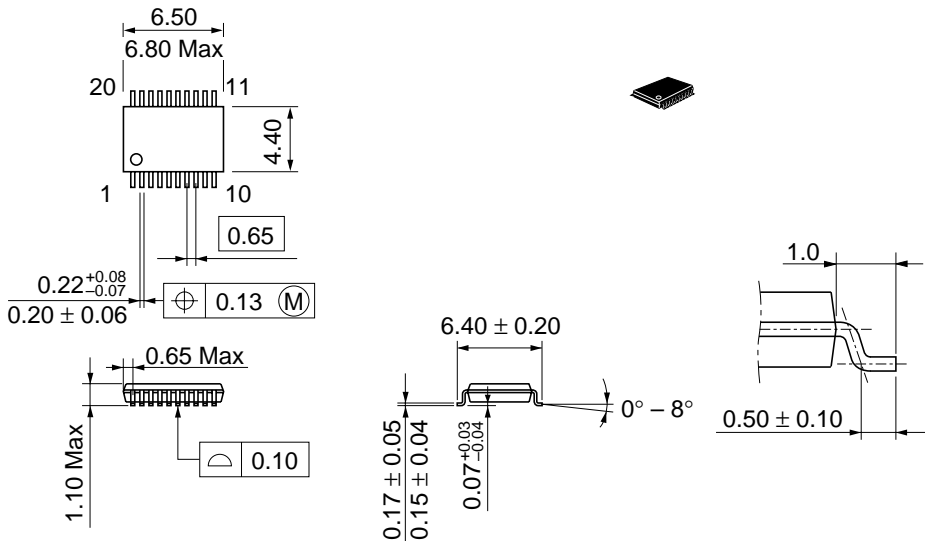
Unit: mm



*Dimension including the plating thickness
Base material dimension

Hitachi Code	FP-20DB
JEDEC	Conforms
EIAJ	—
Weight (reference value)	0.52 g

HITACHI



Dimension including the plating thickness
Base material dimension

Hitachi Code	TTP-20DA
JEDEC	—
EIAJ	—
Weight (reference value)	0.07 g

Cautions

1. Hitachi neither warrants nor grants licenses of any rights of Hitachi's or any third party's patent, copyright, trademark, or other intellectual property rights for information contained in this document. Hitachi bears no responsibility for problems that may arise with third party's rights, including intellectual property rights, in connection with use of the information contained in this document.
2. Products and product specifications may be subject to change without notice. Confirm that you have received the latest product standards or specifications before final design, purchase or use.
3. Hitachi makes every attempt to ensure that its products are of high quality and reliability. However, contact Hitachi's sales office before using the product in an application that demands especially high quality and reliability or where its failure or malfunction may directly threaten human life or cause risk of bodily injury, such as in aerospace, aeronautics, nuclear power, combustion control, transportation, traffic, safety equipment or medical equipment for life support.
4. Design your application so that the product is used within the ranges guaranteed by Hitachi particularly for maximum rating, operating supply voltage range, heat radiation characteristics, installation conditions and other characteristics. Hitachi bears no responsibility for failure or damage when used beyond the guaranteed ranges. Even within the guaranteed ranges, consider normally foreseeable failure rates or failure modes in semiconductor devices and employ systemic measures such as fail-safe devices, so that the equipment incorporating the Hitachi product does not cause bodily injury, fire or other consequential damage due to operation of the Hitachi product.
5. This product is not designed to be radiation resistant.
6. No one is permitted to reproduce or duplicate, in any form, the whole or part of this document without written approval from Hitachi.
7. Contact Hitachi's sales office for any questions regarding this document or Hitachi semiconductor products.

HITACHI

Hitachi, Ltd.

Semiconductor & Integrated Circuits.
Nippon Bldg., 2-6-2, Ohte-machi, Chiyoda-ku, Tokyo 100-0004, Japan
Tel: Tokyo (03) 3270-2111 Fax: (03) 3270-5109

URL North America : <http://semiconductor.hitachi.com/>
 Europe : <http://www.hitachi-eu.com/hel/ecg>
 Asia (Singapore) : <http://www.has.hitachi.com.sg/grp3/sicd/index.htm>
 Asia (Taiwan) : http://www.hitachi.com.tw/E/Product/SICD_Frame.htm
 Asia (HongKong) : <http://www.hitachi.com.hk/eng/bo/grp3/index.htm>
 Japan : <http://www.hitachi.co.jp/Sicd/indx.htm>

For further information write to:

Hitachi Semiconductor
(America) Inc.
179 East Tasman Drive,
San Jose, CA 95134
Tel: <1> (408) 433-1990
Fax: <1>(408) 433-0223

Hitachi Europe GmbH
Electronic components Group
Dornacher StraÙe 3
D-85622 Feldkirchen, Munich
Germany
Tel: <49> (89) 9 9180-0
Fax: <49> (89) 9 29 30 00

Hitachi Europe Ltd.
Electronic Components Group.
Whitebrook Park
Lower Cookham Road
Maidenhead
Berkshire SL6 8YA, United Kingdom
Tel: <44> (1628) 585000
Fax: <44> (1628) 778322

Hitachi Asia Pte. Ltd.
16 Collyer Quay #20-00
Hitachi Tower
Singapore 049318
Tel: 535-2100
Fax: 535-1533

Hitachi Asia Ltd.
Taipei Branch Office
3F, Hung Kuo Building, No.167,
Tun-Hwa North Road, Taipei (105)
Tel: <886> (2) 2718-3666
Fax: <886> (2) 2718-8180

Hitachi Asia (Hong Kong) Ltd.
Group III (Electronic Components)
7/F., North Tower, World Finance Centre,
Harbour City, Canton Road, Tsim Sha Tsui,
Kowloon, Hong Kong
Tel: <852> (2) 735 9218
Fax: <852> (2) 730 0281
Telex: 40815 HITEC HX

Copyright ' Hitachi, Ltd., 1999. All rights reserved. Printed in Japan.

HITACHI