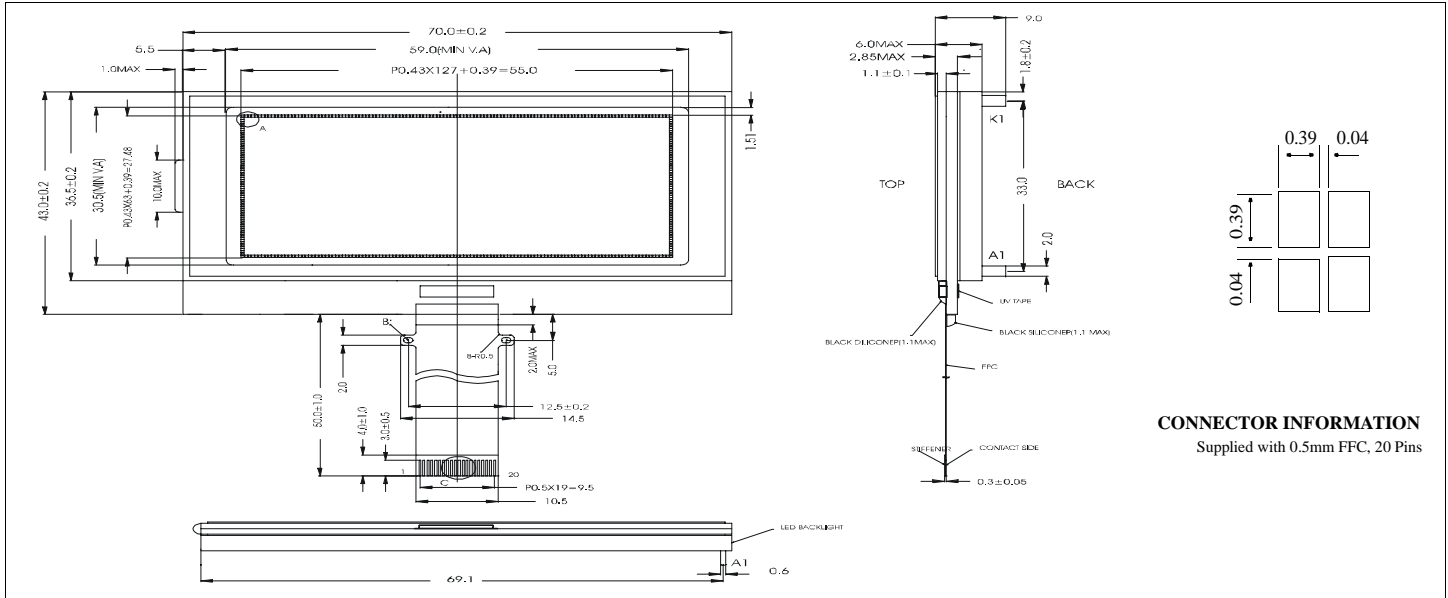


# HDG12864L-7

# Chip On Glass Technology

## Dimensional Drawing

128 X 64 Dots Graphic with LED Backlight



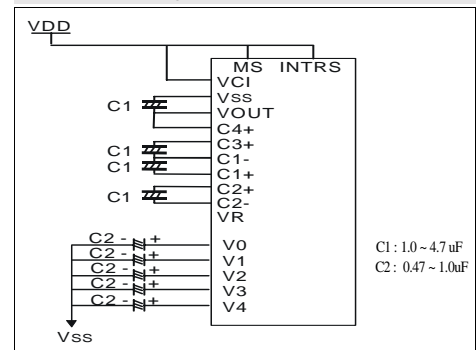
### Features

- Back light .....White or Yellow Green.LED
- Connection .....Flat Flex Cable
- Options.....STN/FSTN, 6/12 o'clock View  
Extended/Nornal Temperature  
Transflective or Reflective Polarizer
- Built-in Controller.....Samsung S6B0724A01-B0CY

### Physical Data

- Module Size.....70.0W x 43.0H x 9.0T mm
- Viewing Area Size.....59.0W x 30.5 mm
- Dot Pitch.....0.43W x 0.43H mm
- Dot Size.....0.39W x 0.39H mm

### Power Supply



### Absolute Maximum Ratings

PARAMETER	SYMBOL	MIN	MAX	UNIT
SUPPLY VOLTAGE	V <sub>DD</sub> -V <sub>SS</sub>	-0.3	7.0	V
SUPPLY VOLTAGE FOR LCD	V <sub>DD</sub> -V <sub>L</sub>	-0.3	17.0	V
INPUT VOLTAGE	V <sub>IN</sub>	-0.3	V <sub>DD</sub> +0.3	V
OPERATING TEMPERATURE	T <sub>OP</sub>	0	50	°C
STORAGE TEMPERATURE	T <sub>STG</sub>	-20	70	°C

### Electrical Characteristics (VDD=3.0±0.6V 25°C)

PARAMETER	SYM	MIN	TYP	MAX	UNIT
POWER SUPPLY FOR LCD	V <sub>DD</sub> -V <sub>L</sub>	-	9.0	-	V
POWER SUPPLY CURRENT	I <sub>DD</sub>	-	0.15	-	mA
LED Forward Voltage	V <sub>F</sub>	-	4.5	-	V
LED Forward Current (White)	I <sub>F</sub>	-	30	40	mA
(Yellow)		-	60	120	
LED Power Dissipation (White)	P <sub>D</sub>	-	135	-	mW
(Yellow)		-	270	-	
Luminous	L	-	50	-	cd/m <sup>2</sup>
DRIVE METHOD	1/65 Duty				

### Pin Connections

PIN NO.	SYMBOL	FUNCTION
1	NC	No Connect
2	V0	LCD Driver Supply Voltages
3	V4	
4	V3	
5	V2	
6	V1	
7	C2-	
8	C2+	
9	C1+	
10	C1-	
11	C3+	
12	Vout #	Voltage Converter Input/ Output pin
13	V <sub>SS</sub>	Ground
14	V <sub>DD</sub>	Power supply for Logic
15	SI	Serial Input Data
16	SCL	Serial Input Clock
17	RS	Register Select Input Signal
18	RES	Reset Input Signal
19	CSI	Chip Select Signal
20	NC	No Connect