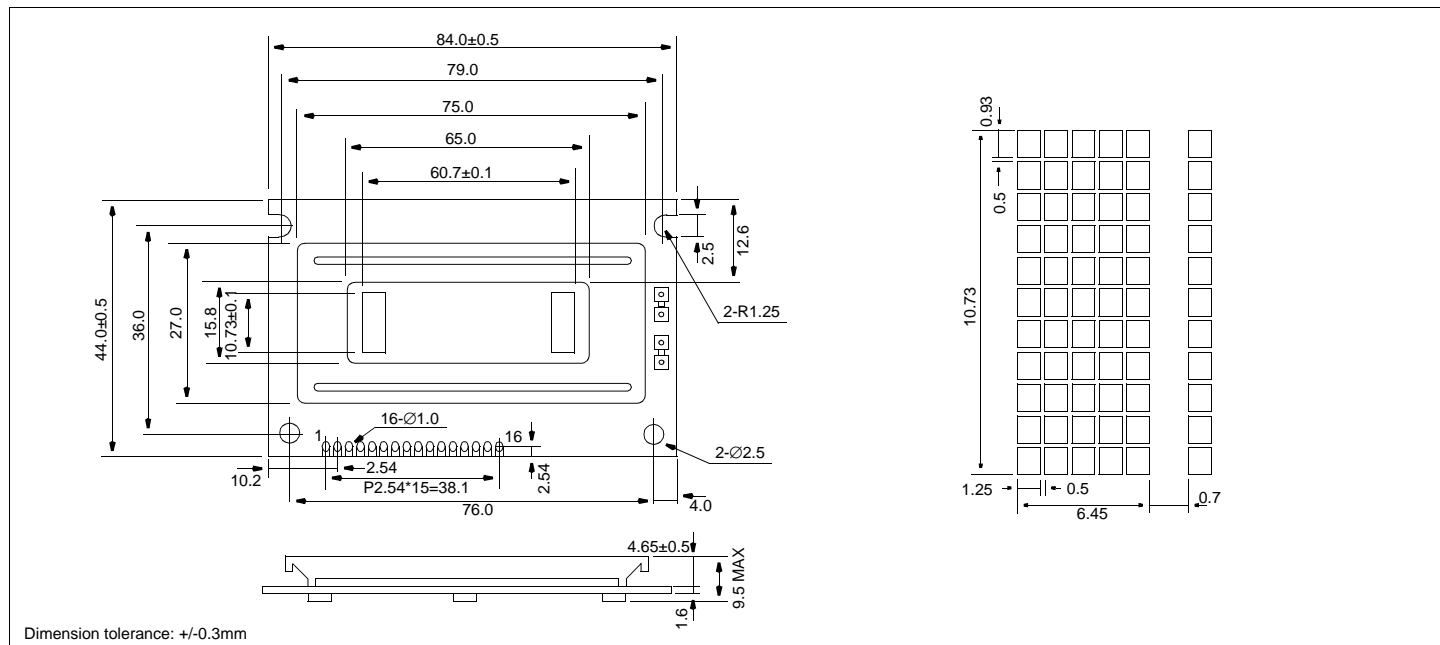


HDM 08111H-L

Dimensional Drawing

8 Character x 1 Line Large Character



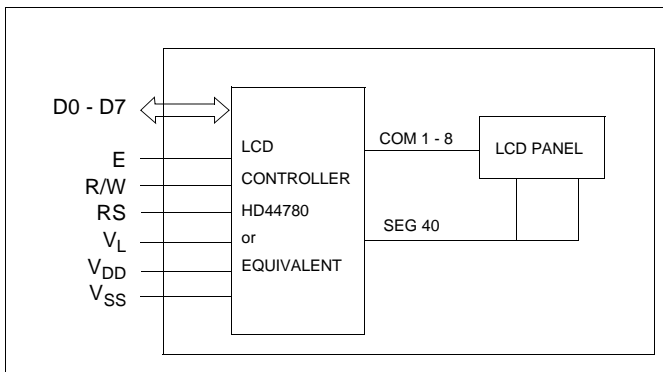
Features

Character Format5x10 Dots with Cursor
 Backlight.....EL Optional
 Options. TN/Gray STN/Yellow STN, 12 o'Clock/6 o'Clock View
 Normal/Extended Temperature
 Normal/Negative Displays

Physical Data

Module Size.....84.0W x 44.0H x 9.5T mm
 Viewing Area Size.....65.0W x 15.8H mm
 Weight.....15g

Block Diagram



Absolute Maximum Ratings

PARAMETER	SYMBOL	MIN	MAX	UNIT
SUPPLY VOLTAGE	V _{DD} -V _{SS}	0	3.6	V
SUPPLY VOLTAGE FOR LCD	V _{DD} -V _O	0	13.5	V
INPUT VOLTAGE	V _{IN}	V _{SS}	V _{DD}	V
OPERATING TEMPERATURE	T _{OP}	0	50	°C
STORAGE TEMPERATURE	T _{STG}	-20	70	°C

Pin Connections

PIN NO.	SYMBOL	LEVEL	FUNCTION	
1	V _{SS}	-	0V	Power supply
2	V _{DD}	-	5V	
3	V _L	-	-	
4	RS	H/L	H: Data input L: Instruction data input	
5	R/W	H/L	H: Data read L: Data write	
6	E	H,H→L	Enable signal	
7	D0	H/L	Data bus	
8	D1	H/L		
9	D2	H/L		
10	D3	H/L		
11	D4	H/L		
12	D5	H/L		
13	D6	H/L		
14	D7	H/L		
15	EL1		EL Backlight	
16	EL2			

Electrical Characteristics (V_{DD}=3.3±0.25V 25°C)

PARAMETER	SYM	CONDITION	MIN	TYP	MAX	UNIT
INPUT HIGH VOLTAGE	V _{IH}	-	2.2	-	-	V
INPUT LOW VOLTAGE	V _{IL}	-	-	-	.6	V
OUTPUT HIGH VOLTAGE	V _{OH}	I _{OH} =0.2mA	3.0	-	-	V
OUTPUT LOW VOLTAGE	V _{OL}	I _{OL} =1.2mA	-	-	0.4	V
POWER SUPPLY CURRENT	I _{DD}	V _{DD} =5.0V	-	0.3	0.6	mA
POWER SUPPLY FOR LCD	V _{DD} -V _L	TA=25°C	4.3	-	4.7	V
DRIVE METHOD		1/11 Duty				