

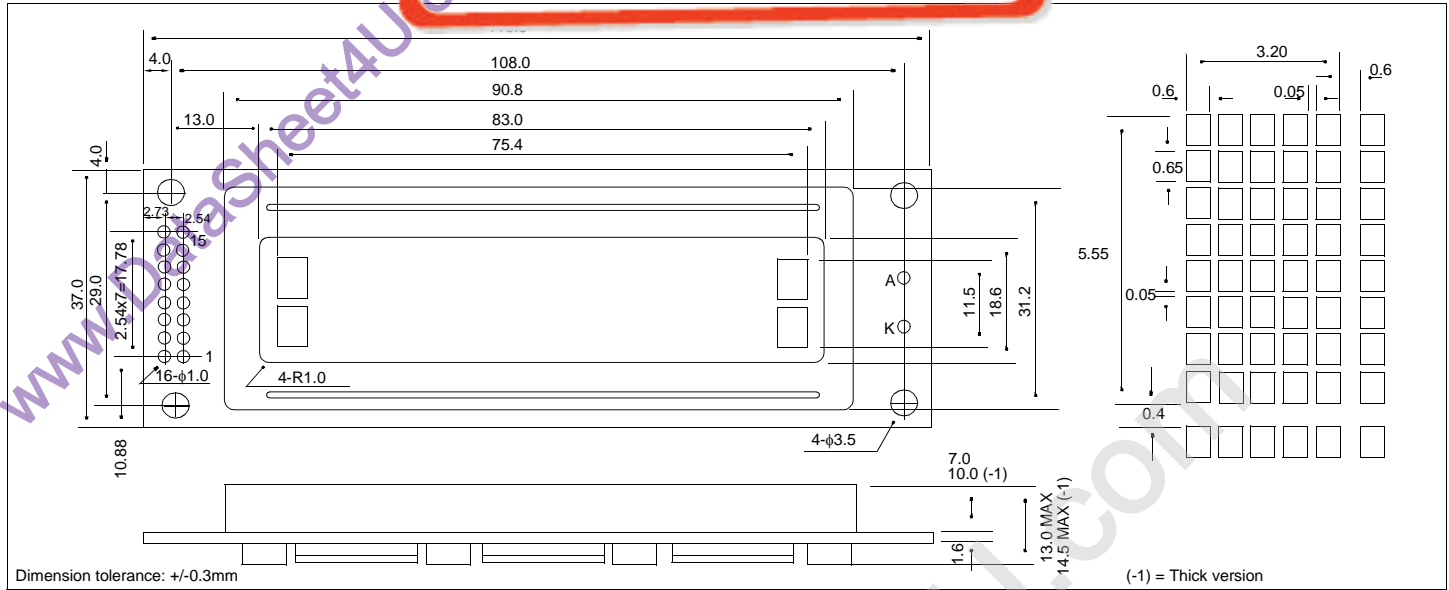
HDM20216L, HDM20216L-1

Dimensional Drawing

液晶之友 电话: 020-33819057

Http://www.lcdfriends.com

Character x 2 Lines, LED Backlight



Features

Character Format 5x7 Dots with Cursor
 Backlight.....White or Yellow LED
 Options.....Gray STN/Yellow STN, FSTN
 12 o'Clock/6 o'Clock View
 Normal/Extended Temperature
 Normal/Negative Displays

Physical Data

Module Size116.0W x 37.0H x 13.0T mm
 Thick Version.....116.0W x 37.0H x 14.5T mm
 Viewing Area Size.....83.0W x 18.6H mm
 Weight.....45g

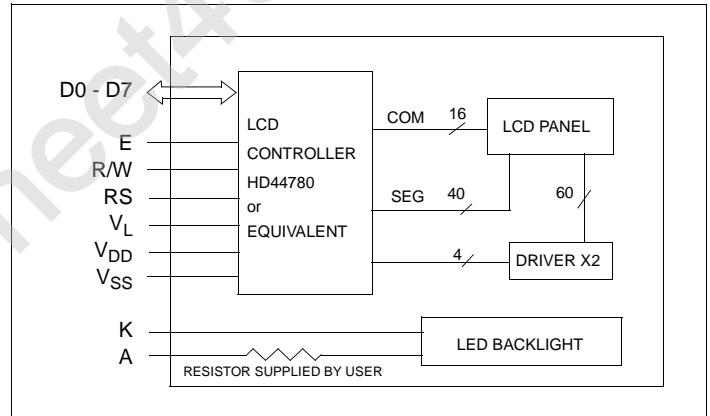
Absolute Maximum Ratings

| PARAMETER | SYMBOL | MIN | MAX | UNIT |
|-------------------------------|-----------------|-----|------|------|
| SUPPLY VOLTAGE | $V_{DD}-V_{SS}$ | 0 | 7.0 | V |
| SUPPLY VOLTAGE FOR LCD | $V_{DD}-V_L$ | 0 | 13.5 | V |
| OPERATING TEMPERATURE | T_{OP} | 0 | 50 | °C |
| STORAGE TEMPERATURE | T_{OP} | -20 | 70 | °C |
| LED FORWARD CURRENT (White) | I_F | - | 25 | mA |
| (Yellow) | | - | 300 | |
| LED REVERSE VOLTAGE (White) | V_R | - | 5 | V |
| (Yellow) | | - | 8 | |
| LED POWER CONSUMPTION (White) | P_D | - | 100 | mW |
| (Yellow) | | - | 1350 | |

Electrical Characteristics (VDD=5.0±0.25V 25°C)

| PARAMETER | SYM | CONDITION | MIN | TYP | MAX | UNIT |
|-------------------------|--------------|---------------|-----|-----|-----|-------|
| POWER SUPPLY CURRENT | I_{DD} | $V_{DD}=5.0V$ | - | 1.2 | 2.4 | mA |
| POWER SUPPLY FOR LCD | $V_{DD}-V_L$ | $I_A=25°C$ | 4.3 | - | 4.7 | V |
| LED FORWARD VTG (White) | V_F | $I_F=20mA$ | | 3.6 | | V |
| (Yellow) | | $I_F=120mA$ | 3.9 | 4.1 | 4.5 | V |
| BRIGHTNESS (White LED) | L | $I_F=20mA$ | 46 | 57 | - | cd/m2 |
| (Yellow LED) | | $I_F=120mA$ | 15 | 45 | - | |
| DRIVE METHOD | 1/16 Duty | | | | | |

Block Diagram



Pin Connections

| PIN NO. | SYMBOL | LEVEL | FUNCTION |
|---------|----------|-------|--|
| 1 | V_{SS} | - | Power supply |
| 2 | V_{DD} | - | |
| 3 | V_L | - | |
| 4 | RS | H/L | H: Data input L: Instruction data input |
| 5 | R/W | H/L | H: Data read L: Data write |
| 6 | E | H,H→L | Enable signal |
| 7 | D0 | H/L | Data bus |
| 8 | D1 | H/L | |
| 9 | D2 | H/L | |
| 10 | D3 | H/L | |
| 11 | D4 | H/L | |
| 12 | D5 | H/L | |
| 13 | D6 | H/L | |
| 14 | D7 | H/L | |
| 15 | A | - | Anode for LED backlight |
| 16 | K | - | Cathode for LED backlight |