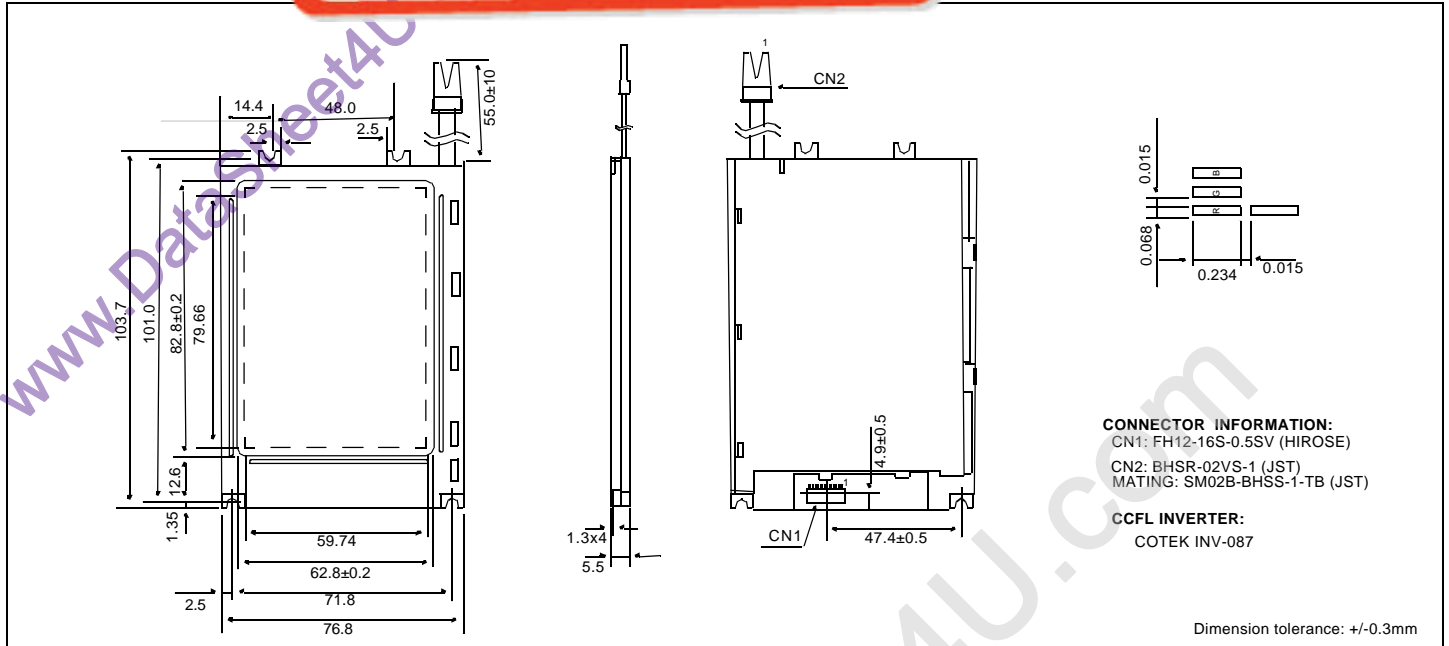


# HDM 3224C-S-P

液晶之友 电话: 020-33819057

Http://www.lcdfriends.com

Dimensional Drawing 3.9" 320 X 240 Color Graphic, Super Low Power, Thin w/CCFL Backlight



**CONNECTOR INFORMATION:**  
 CN1: FH12-16S-0.5SV (HIROSE)  
 CN2: BHSR-02VS-1 (JST)  
 MATING: SM02B-BHSS-1-TB (JST)  
**CCFL INVERTER:**  
 COTEK INV-087

## Features

- Backlight..... CCFL
- Options.....Color RGB
- Extended Temperature
- Touch Screen
- Built-in Controller.....None

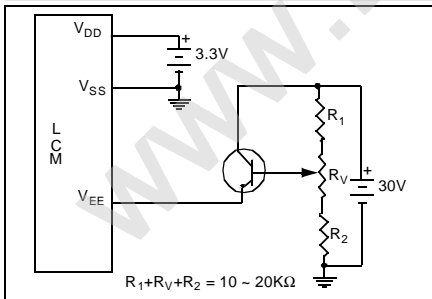
## Physical Data

- Module Size.....76.8W x 103.7H x 5.5T mm
- Viewing Area Size.....62.8W x 82.8H mm
- Dot Pitch.....0.249W x 0.083H mm
- Dot Size.....0.234W x 0.068H mm
- Weight......65g

## Absolute Maximum Ratings

PARAMETER	SYMBOL	MIN	MAX	UNIT
SUPPLY VOLTAGE	$V_{DD}-V_{SS}$	-0.3	7.0	V
SUPPLY VOLTAGE FOR LCD	$V_{EE}$	0	30.0	V
INPUT VOLTAGE	$V_{IN}$	-0.3	$V_{DD}+0.3$	V
OPERATING TEMPERATURE	$T_{OP}$	-10	50	°C
STORAGE TEMPERATURE	$T_{STG}$	-20	70	°C

## Power Supply



## Electrical Characteristics ( $V_{DD}=3.3\pm 0.25V$ 25°C)

PARAMETER	SYM	CONDITION	MIN	TYP	MAX	UNIT
INPUT HIGH VOLTAGE	$V_{IH}$	-	0.8	-	$V_{DD}$	V
INPUT LOW VOLTAGE	$V_{IL}$	-	0	-	0.2	V
SUPPLY VOLTAGE	$V_{DD}$	-	3.0	3.3	3.6	V
	$V_L$	$V_{DD} = 3.3V$	23.3	23.6	23.9	V
DRIVE METHOD	1/240 DUTY					

## Pin Connections

PIN NO.	SYMBOL	LEVEL	FUNCTION
<b>DATA CONNECTOR</b>			
1	D7	H/L	Data Bus
2	D6	H/L	
3	D5	H/L	
4	D4	H/L	
5	D3	H/L	
6	D2	H/L	
7	D1	H/L	
8	D0	H/L	
9	$V_{SS}$	0V	Ground
10	$V_{DD}$	3.3V	Power supply for logic
11	DISPOFF	H/L	H=On, L=Off
12	CP	H/L	Data shift
13	LOAD	H/L	Data Latch
14	FRAME	H	First Line Marker
15	$V_{SS}$	0V	Ground
16	$V_{EE}$	-	Operatong voltage for LC
<b>CCFL CONNECTOR</b>			
1	$V_{CFL}$	-	Power supply for CCFL
2	GND	-	Ground