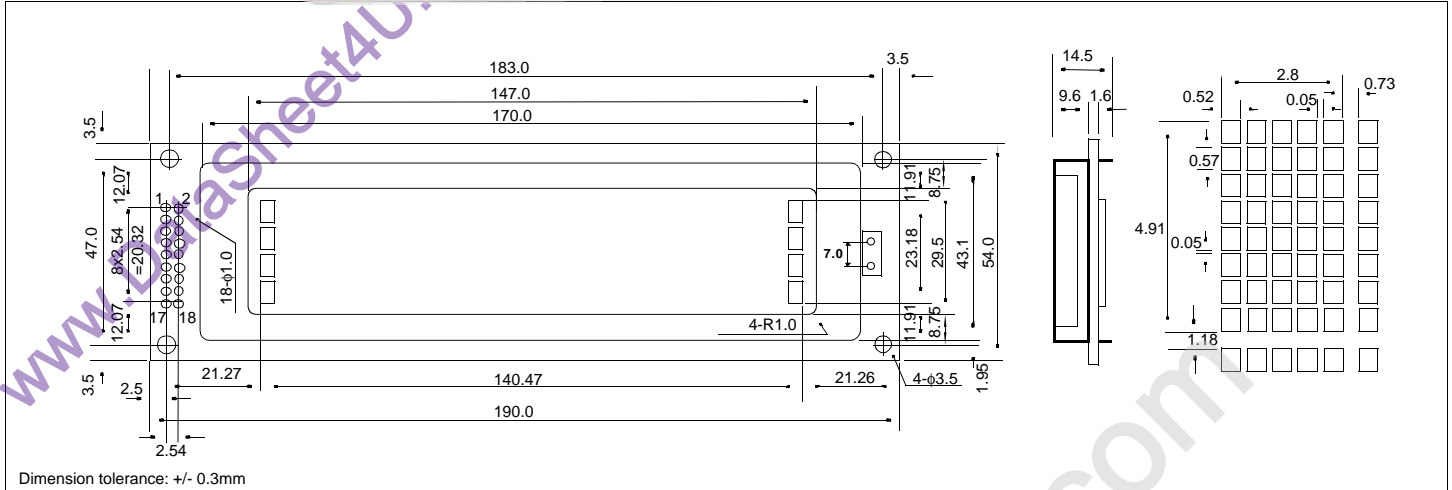


HDM40416L-4

Dimensional Drawing

液晶之友 电话: 020-33819057
 Http://www.lcdfriends.com

40 Character x 4 Lines, LED Backlight



Features

Character Format 5x7 Dots with Cursor
 Backlight.....LED
 Options.TN/Gray STN/Yellow STN, 12 o'Clock/6 o'Clock View
 Normal/Extended Temperature
 Normal/Negative Displays

Physical Data

Module Size.....190.0W x 54.0H x 14.5T mm
 Viewing Area Size.....147.0W x 29.5H mm
 Weight.....150g

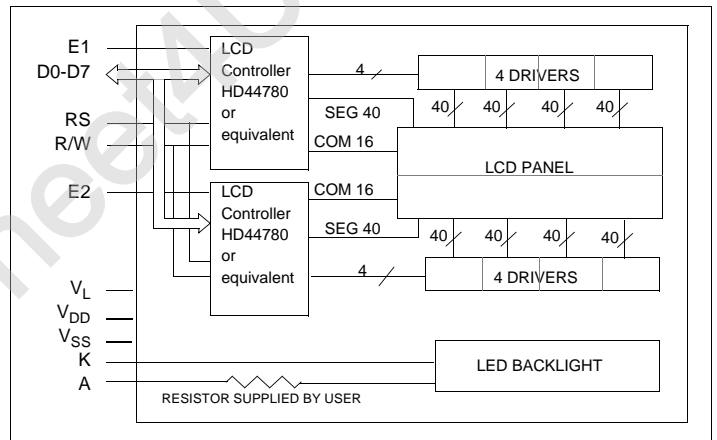
Absolute Maximum Ratings

PARAMETER	SYMBOL	MIN	MAX	UNIT
SUPPLY VOLTAGE	$V_{DD}-V_{SS}$	0	7.0	V
SUPPLY VOLTAGE FOR LCD	$V_{DD}-V_L$	0	13.5	V
INPUT VOLTAGE	V_{IN}	V_{SS}	V_{DD}	V
OPERATING TEMPERATURE	T_{OP}	0	50	°C
STORAGE TEMPERATURE	T_{STG}	-20	70	°C
LED FORWARD CURRENT	I_F	-	600	mA
LED REVERSE VOLTAGE	V_R	-	8	V
LED POWER CONSUMPTION	P_D	-	2700	mW

Electrical Characteristics (VDD=5.0±0.25V 25°C)

PARAMETER	SYM	CONDITION	MIN	TYP	MAX	UNIT
INPUT HIGH VOLTAGE	V_{IH}	-	2.2	-	-	V
INPUT LOW VOLTAGE	V_{IL}	-	-	-	0.6	V
OUTPUT HIGH VOLTAGE	V_{OH}	$I_{OH}=0.2mA$	2.4	-	-	V
OUTPUT LOW VOLTAGE	V_{OL}	$I_{OL}=1.2mA$	-	-	0.4	V
POWER SUPPLY CURRENT	I_{DD}	$V_{DD}=5.0V$	-	3.0	5.0	mA
POWER SUPPLY FOR LCD	$V_{DD}-V_L$	$T_A=25°C$	4.3	-	4.7	V
LED FORWARD VOLTAGE	V_F	$I_F=150mA$	-	4.1	4.5	V
BRIGHTNESS	L	$I_F=150mA$	60	80	-	NIT
DRIVE METHOD	1/16 Duty					

Block Diagram



Pin Connections

PIN NO.	SYMBOL	LEVEL	FUNCTION
1	D7	H/L	Data bus
2	D6	H/L	
3	D5	H/L	
4	D4	H/L	
5	D3	H/L	
6	D2	H/L	
7	D1	H/L	
8	D0	H/L	
9	E1	H,H→L	Enable
10	RW	H/L	H: Data read L: Data write
11	RS	H/L	H: Data input L: Instruction input
12	V_L	-	Operating voltage for LC
13	V_{SS}	0V	Ground
14	V_{DD}	5V	Power supply for logic
15	E2	H,H→L	Enable
16	N/C	-	No-connection
17	A	-	Anode for LED backlight
18	K	-	Cathode for LED backlight