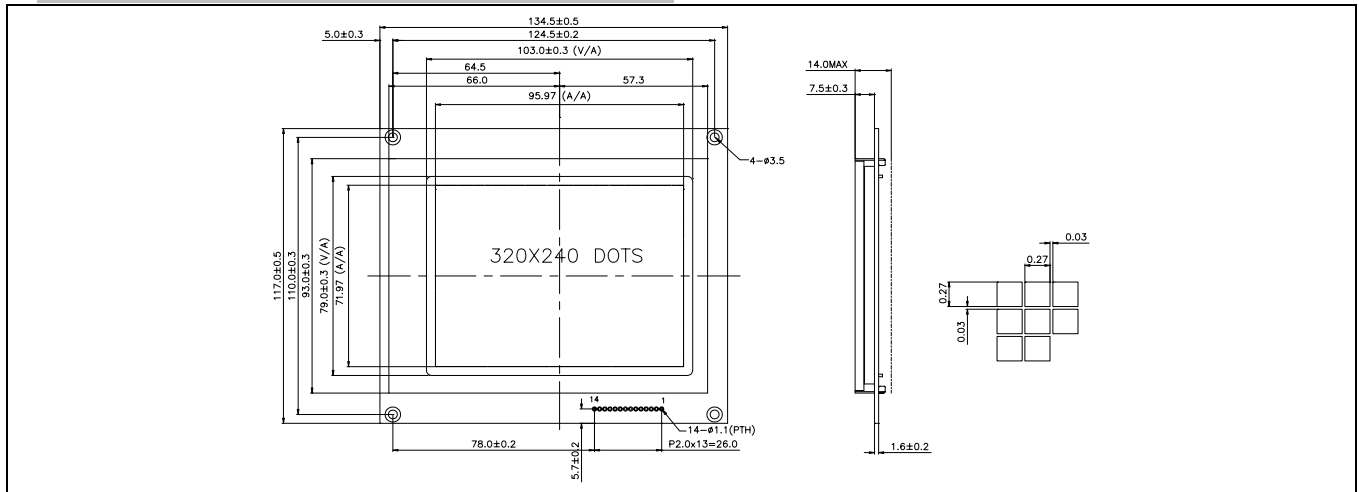


HE326XX51

320 X 240 Dots

1. EXTERNAL DIMENSION AND DISPLAY PATTERN



2. MECHANICAL DATA

ITEM	SPECIFICATION	UNIT
Module Size (W×H×T)	134.5×117.0×14.0	mm
Viewing Area (W×H)	103.0×79.0	mm
Number of Dots (W×H)	320×240	dots
Dot Pitch (W×H)	0.3×0.3	mm
Dot Size (W×H)	0.27×0.27	mm

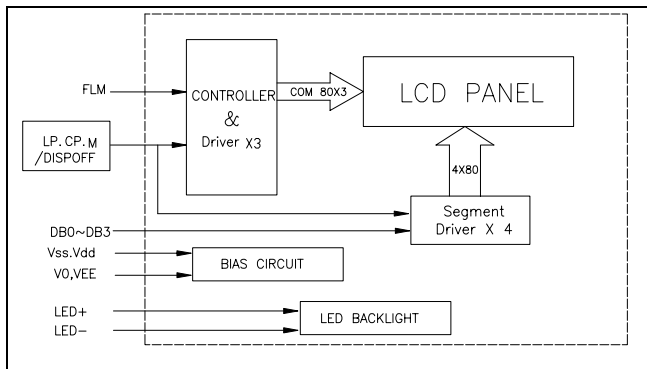
3. ELECTRICAL CHARACTERISTICS (Ta=25°C)

ITEM	SYMBOL	CONDITION	SPEC. VALUE			UNIT
			MIN.	TYP.	MAX.	
Supply Voltage (Logic)	$V_{DD} - V_{SS}$		2.7	5.0	5.5	V
Supply Current (Logic)	I_{DD}	$V_{DD}=5V$	-	8.7	13.0	mA
Input Voltage	"HIGH"	V_{IH}	-	$0.8V_{DD}$	-	V_{DD}
	"LOW"	V_{IL}	-	0	-	$0.2V_{DD}$
Output Voltage	"HIGH"	V_{OH}	$I_{OH}=-0.4mA$	$V_{DD}-0.4$	-	V
	"LOW"	V_{OL}	$I_{OL}=0.4mA$	-	0.4	V
LCD Operating Voltage	$V_{DD} - V_o$	$V_{DD}=5V, Ta=25^\circ C$	-	22.9	-	V
Supply Voltage LCD Drive	I_o		-	4.5	-	mA

4. PIN CONFIGURATION

PIN	SYMBOL	SIGNAL DESCRIPTION	PIN	SYMBOL	SIGNAL DESCRIPTION
1	V_o	Operating Voltage for LCD (Variable)	8	V_{DD}	Logic Voltage
2	V_{EE}	Power Supply for LCD	9	CL2	Display Data Shift Clock
3	DB ₃	Data Bit 3	10	CL1	Display Data Latch Clock
4	DB ₂	Data Bit 2	11	FLM	Frame Signal
5	DB ₁	Data Bit 1	12	K	Cathode for LED B/L
6	DB ₀	Data Bit 0	13	A	Anode for LED B/L
7	V_{SS}	Ground	14	NC	No Connection

5. BLOCK DIAGRAM



6. BACKLIGHTING CHARACTERISTICS (Ta=25°C) LED

ITEM	SYMBOL	CONDITION	MIN	TYP	MAX	UNIT
Supply Voltage	V_{LED}	-	-	21.5	-	V
Power Consumption	P_{LED}	-	-	430	-	mW
Luminous	I_v	$I_L=20.0mA$	10	-	-	cd/m ²