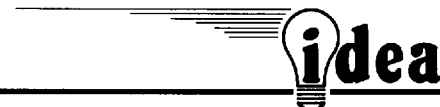


2.3-inch (57.0 mm) Single Digit LED Display H-A9230, H-C9230, HEGA9230 and HEGC9230 Series

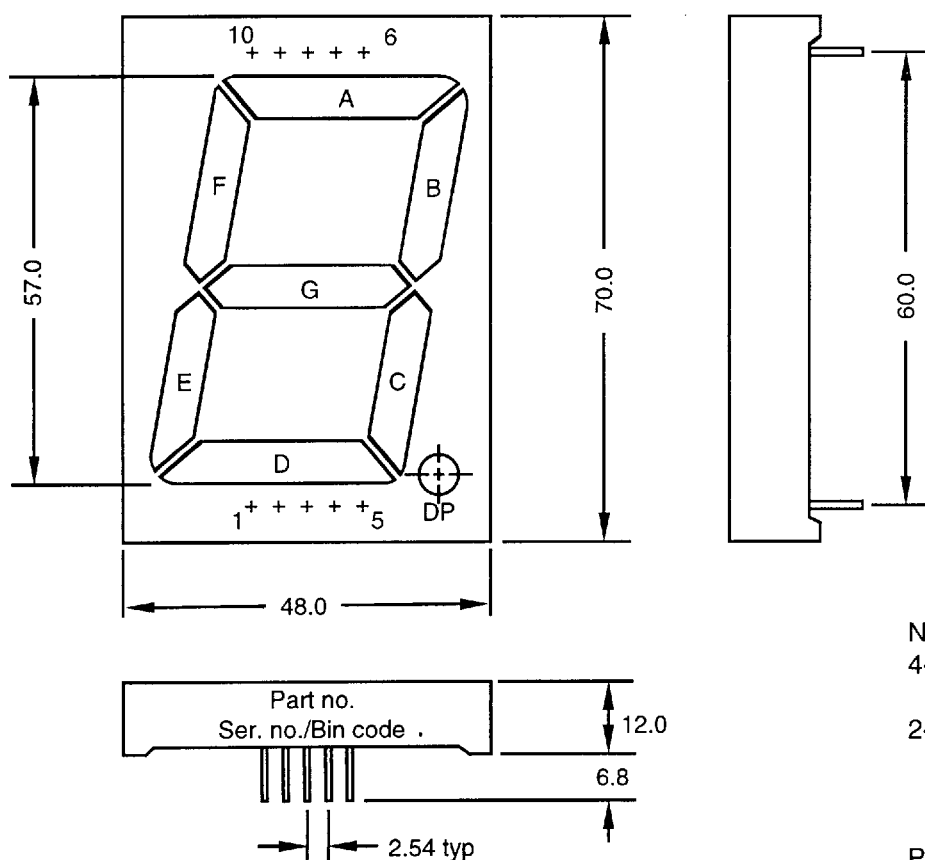


The 2.3-inch digit display is a very popular size for a variety of applications such as games, point-of-sale promotion displays and others where visibility is required. It is also ideal for displaying large quantities of numbers such as stock prices, exchange rates, etc. It is available in single color and bi-color versions.

SELECTION GUIDE:

Color	E Red	D Red	Green	Yellow
Wavelength	635 nm	660 nm	565 nm	585 nm
Iv (mcd/segment)	16.0	60.0	20.0	16.0
Common Anode	HEA9230	HDA9230	HGA9230	HYA9230
Common Cathode	HEC9230	HDC9230	HGC9230	HYC9230

E/G Bi-Color
635/565 nm
16.0/20.0
HEGA9231
HEGC9231



Notes:

- 4-chips are connected in series for each segment.
- 2-chips are connected in series for DP except that bi-color DPs have 1-chip of each color.
- Pins are 0.6Ø.

PIN ASSIGNMENTS:

PIN NO.	H-C9230	H-A9230	HEGC9231	HEGA9231	
1	C. C.	C. A.	- e	+ e	e = E Red g = Green
2	+ E	- E	+ Ee,g	- Ee,g	
3	+ D	- D	+ De,g	- De,g	
4	+ C	- C	+ Ce,g	- Ce,g	
5	C. C.	C. A.	- g	+ g	
6	+ B	- B	+ Be,g	- Be,g	
7	+ A	- A	+ Ae,g	- Ae,g	
8	+ DP	- DP	+ DPe,g	- DPe,g	
9	+ F	- F	+ Fe,g	- Fe,g	
10	+ G	- G	+ Ge,g	- Ge,g	

* Specifications subject to change without notice. All dimensions are in mm±0.3 unless stated otherwise.