

DATA SHEET

For a complete data sheet, please also download:

- The IC04 LOCMOS HE4000B Logic Family Specifications HEF, HEC
- The IC04 LOCMOS HE4000B Logic Package Outlines/Information HEF, HEC

HEF4020B

MSI

14-stage binary counter

Product specification
File under Integrated Circuits, IC04

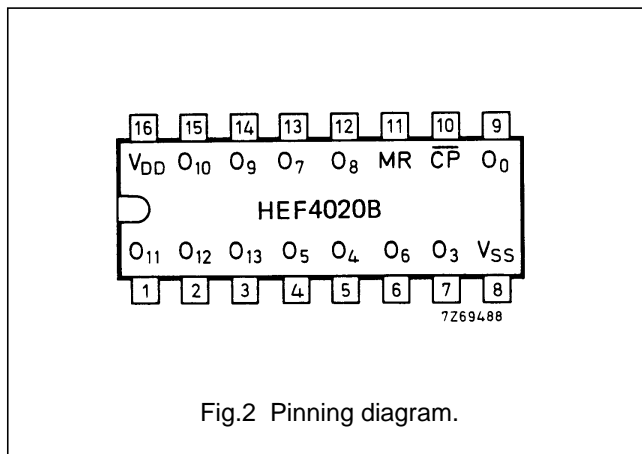
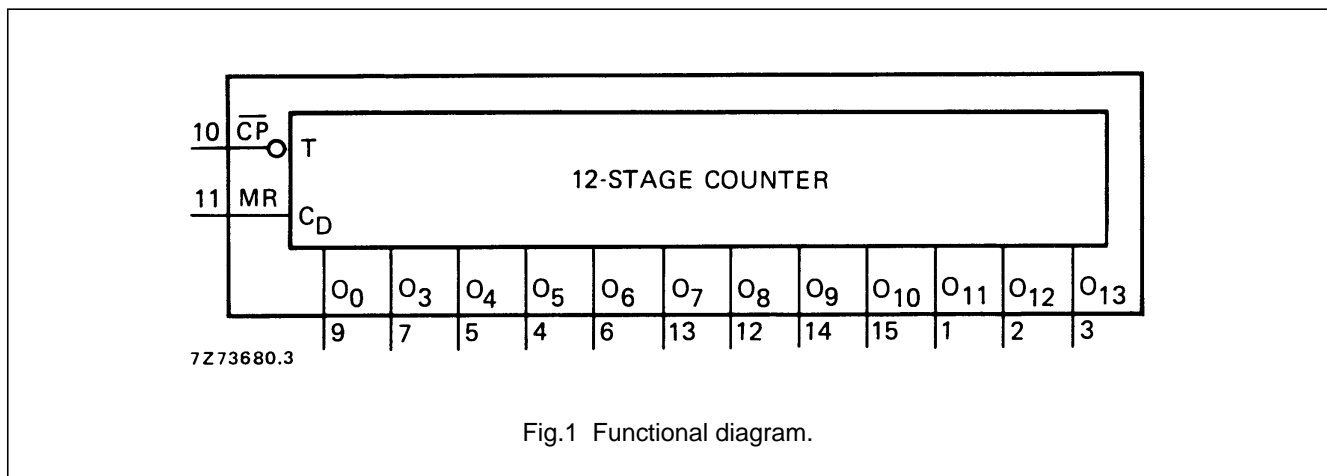
January 1995

14-stage binary counter

HEF4020B MSI

DESCRIPTION

The HEF4020B is a 14-stage binary ripple counter with a clock input (\overline{CP}), an overriding asynchronous master reset input (MR) and twelve fully buffered outputs (O_0 , O_3 to O_{13}). The counter advances on the HIGH to LOW transition of \overline{CP} . A HIGH on MR clears all counter stages and forces all outputs LOW, independent of the state of \overline{CP} . Each counter stage is a static toggle flip-flop. A feature of the HEF4020B is: high speed (typ. 35 MHz at $V_{DD} = 15\text{ V}$).



- HEF4020BP(N): 16-lead DIL; plastic (SOT38-1)
 - HEF4020BD(F): 16-lead DIL; ceramic (cerdip) (SOT74)
 - HEF4020BT(D): 16-lead SO; plastic (SOT109-1)
- (): Package Designator North America

PINNING

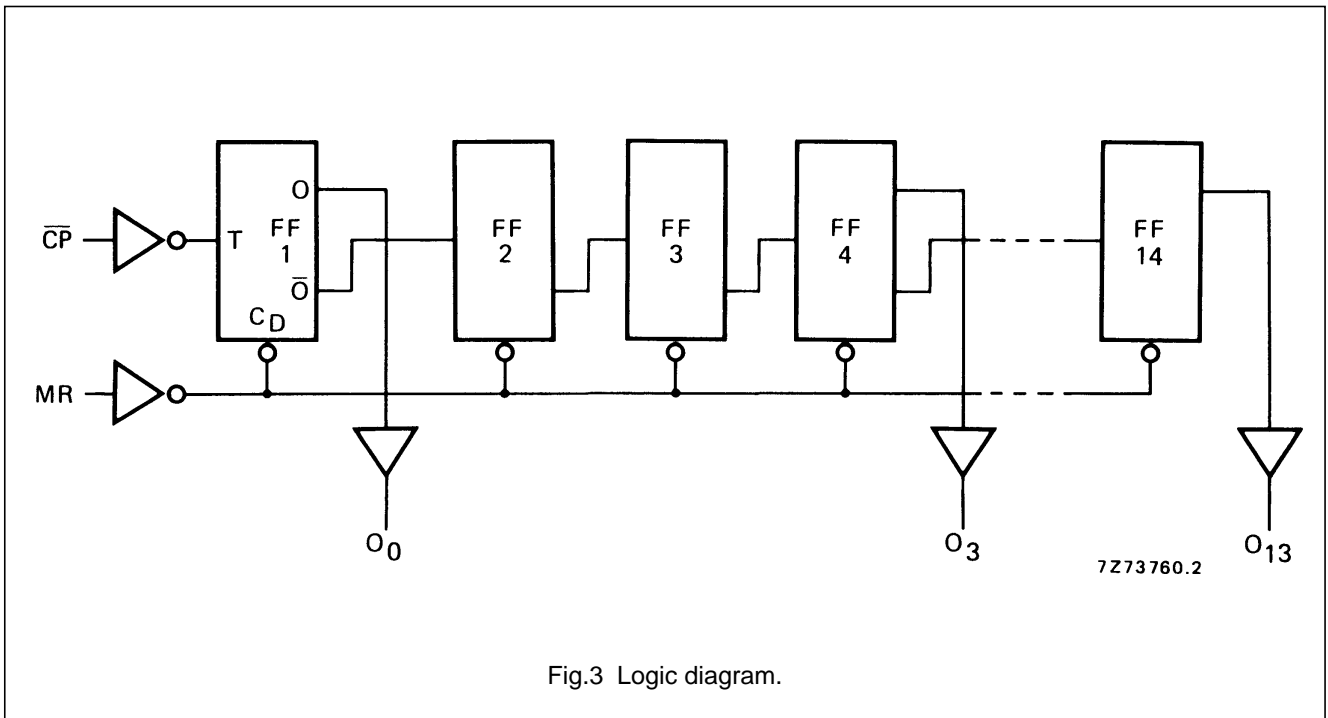
- \overline{CP} clock input (HIGH to LOW edge triggered)
- MR master reset input (active HIGH)
- O_0, O_3 to O_{13} parallel outputs

FAMILY DATA, I_{DD} LIMITS category MSI

See Family Specifications

14-stage binary counter

HEF4020B
MSI



14-stage binary counter

HEF4020B
MSI**AC CHARACTERISTICS**

$V_{SS} = 0$ V; $T_{amb} = 25$ °C; $C_L = 50$ pF; input transition times ≤ 20 ns; see also waveforms Fig.4

	V_{DD} V	SYMBOL	MIN.	TYP.	MAX.	TYPICAL EXTRAPOLATION FORMULA		
Propagation delays $\overline{CP} \rightarrow O_0$ HIGH to LOW	5	t_{PHL}		105	210	ns	$78 \text{ ns} + (0,55 \text{ ns/pF}) C_L$	
	10		45	90	ns	$34 \text{ ns} + (0,23 \text{ ns/pF}) C_L$		
	15		30	65	ns	$22 \text{ ns} + (0,16 \text{ ns/pF}) C_L$		
	LOW to HIGH	5	t_{PLH}		105	210	ns	$78 \text{ ns} + (0,55 \text{ ns/pF}) C_L$
		10		50	95	ns	$39 \text{ ns} + (0,23 \text{ ns/pF}) C_L$	
		15		35	70	ns	$27 \text{ ns} + (0,16 \text{ ns/pF}) C_L$	
$O_n \rightarrow O_{n+1}$ HIGH to LOW	5	t_{PHL}		80	160	ns	$53 \text{ ns} + (0,55 \text{ ns/pF}) C_L$	
	10		30	60	ns	$19 \text{ ns} + (0,23 \text{ ns/pF}) C_L$		
	15		20	40	ns	$12 \text{ ns} + (0,16 \text{ ns/pF}) C_L$		
	LOW to HIGH	5	t_{PLH}		70	140	ns	$43 \text{ ns} + (0,55 \text{ ns/pF}) C_L$
		10		25	50	ns	$14 \text{ ns} + (0,23 \text{ ns/pF}) C_L$	
		15		20	40	ns	$12 \text{ ns} + (0,16 \text{ ns/pF}) C_L$	
MR $\rightarrow O_n$ HIGH to LOW	5	t_{PHL}		180	360	ns	$153 \text{ ns} + (0,55 \text{ ns/pF}) C_L$	
	10		90	180	ns	$79 \text{ ns} + (0,23 \text{ ns/pF}) C_L$		
	15		70	140	ns	$62 \text{ ns} + (0,16 \text{ ns/pF}) C_L$		
	Output transition times HIGH to LOW	5	t_{THL}		60	120	ns	$10 \text{ ns} + (1,0 \text{ ns/pF}) C_L$
		10		30	60	ns	$9 \text{ ns} + (0,42 \text{ ns/pF}) C_L$	
		15		20	40	ns	$6 \text{ ns} + (0,28 \text{ ns/pF}) C_L$	
LOW to HIGH	5	t_{TLH}		60	120	ns	$10 \text{ ns} + (1,0 \text{ ns/pF}) C_L$	
	10		30	60	ns	$9 \text{ ns} + (0,42 \text{ ns/pF}) C_L$		
	15		20	40	ns	$6 \text{ ns} + (0,28 \text{ ns/pF}) C_L$		
Minimum clock pulse width; HIGH	5	t_{WCPH}	50	25		ns		
	10		25	15		ns		
	15		20	10		ns		
Minimum MR pulse width; HIGH	5	t_{WMRH}	130	65		ns		
	10		95	50		ns		
	15		90	45		ns		
Recovery time for MR	5	t_{RMR}	115	60		ns		
	10		65	35		ns		
	15		55	25		ns		
Maximum clock pulse frequency	5	f_{max}	5	10		MHz		
	10		13	25		MHz		
	15		18	35		MHz		

14-stage binary counter

HEF4020B
MSI

	V_{DD} V	TYPICAL FORMULA FOR P (μ W)	
Dynamic power dissipation per package (P)	5 10 15	$600 f_i + \sum (f_o C_L) \times V_{DD}^2$ $2\ 800 f_i + \sum (f_o C_L) \times V_{DD}^2$ $8\ 200 f_i + \sum (f_o C_L) \times V_{DD}^2$	where f_i = input freq. (MHz) f_o = output freq. (MHz) C_L = load cap. (pF) $\sum (f_o C_L)$ = sum of outputs V_{DD} = supply voltage (V)

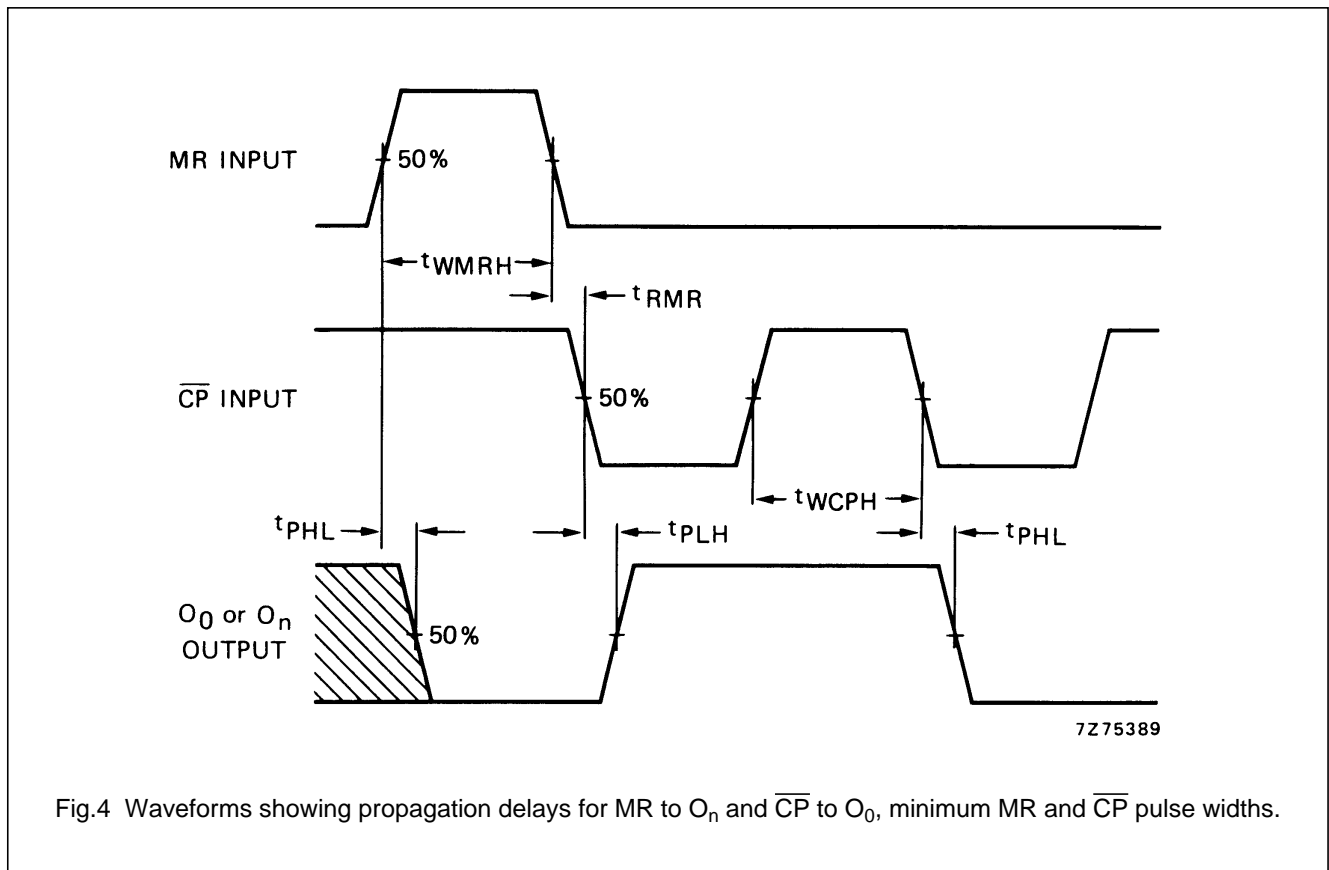
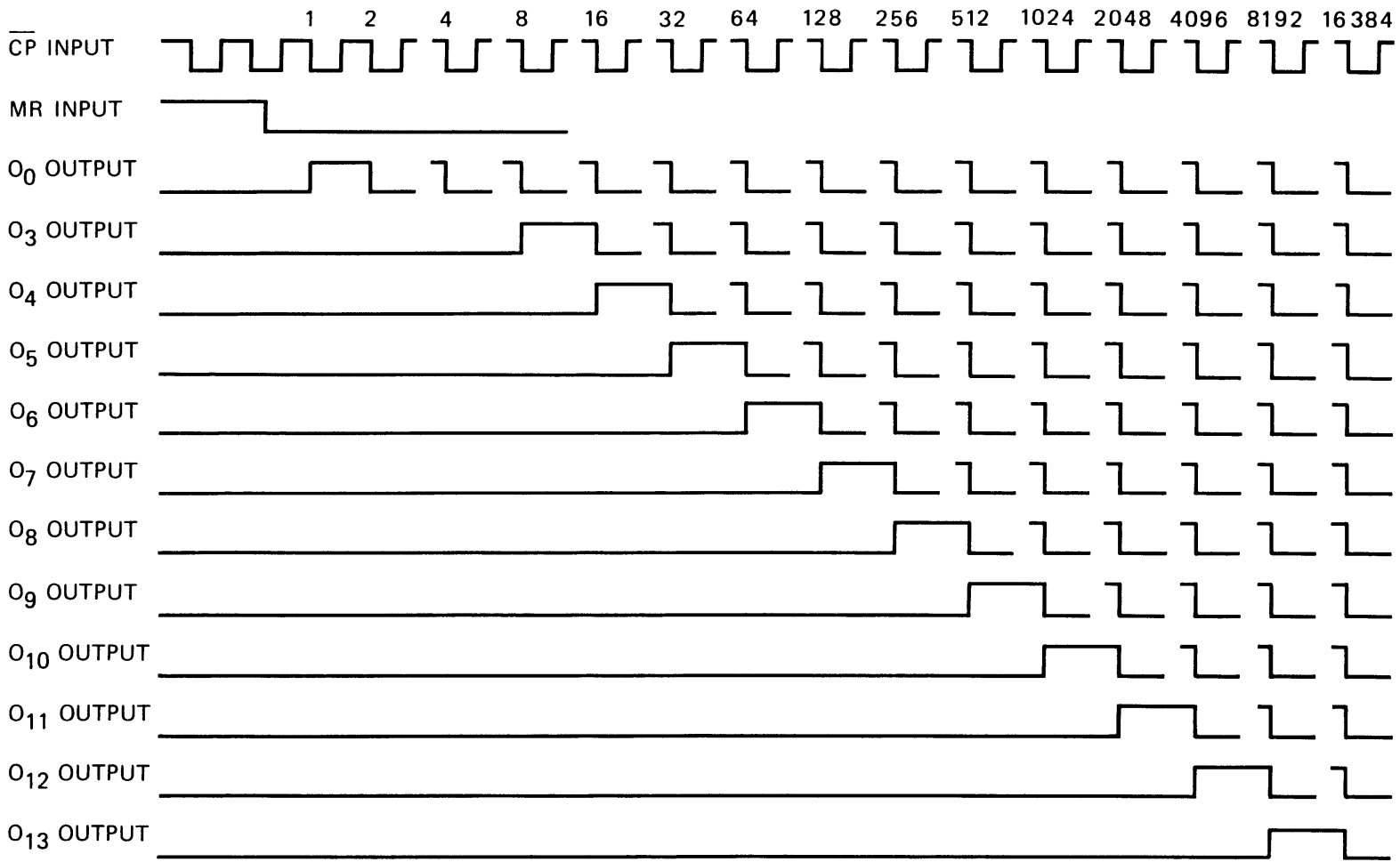


Fig.4 Waveforms showing propagation delays for MR to O_n and \overline{CP} to O_0 , minimum MR and \overline{CP} pulse widths.

14-stage binary counter

HEF4020B
MSI



7Z82340

Fig.5 Timing diagram.