

## HER101-G Thru. HER108-G

Voltage: 50 to 1000 V

Current: 1.0 A

RoHS Device

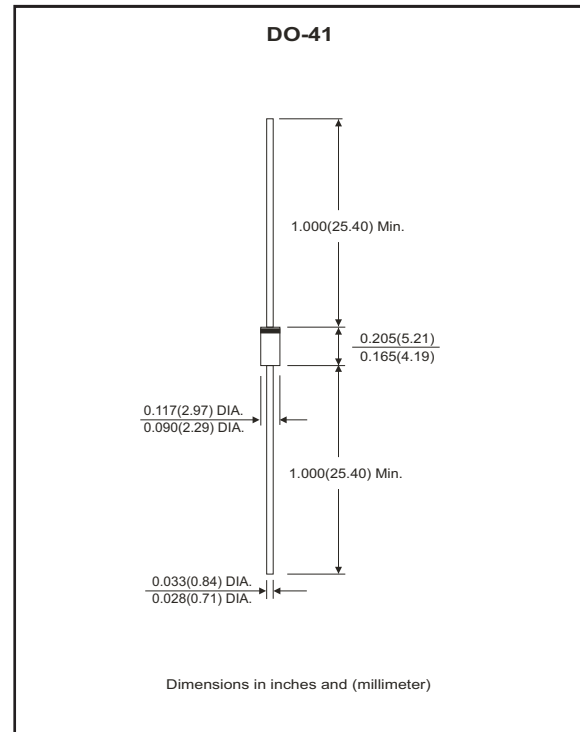


### Features

- Glass passivated chip.
- Low forward voltage.
- High reliability.
- High surge current capability.
- High speed switching.

### Mechanical data

- Case: JEDEC DO-41 molded plastic.
- Epoxy: UL 94V-0 rate flame retardant.
- Polarity: Color band denotes cathode end.
- Lead: Solderable per MIL-STD-202, method 208 guaranteed.
- Mounting position: Any
- Weight: 0.321 grams



### Electrical Characteristics (at $T_A=25^\circ\text{C}$ unless otherwise noted)

Ratings at  $25^\circ\text{C}$  ambient temperature unless otherwise specified.

Single phase, half wave, 60Hz, resistive or inductive load.

For capacitive load derate current by 20%.

Parameter	Symbol	HER101 -G	HER102 -G	HER103 -G	HER104 -G	HER105 -G	HER106 -G	HER107 -G	HER108 -G	Unit
Maximum repetitive peak reverse voltage @ $I_T = 5\mu\text{A}$	$V_{RRM}$	50	100	200	300	400	600	800	1000	V
Maximum RMS voltage	$V_{RMS}$	35	70	140	210	280	420	560	700	V
Maximum DC blocking voltage	$V_{DC}$	50	100	200	300	400	600	800	1000	V
Maximum average forward rectified current @ $T_A=25^\circ\text{C}$	$I_{(AV)}$	1.0								A
Maximum instantaneous forward voltage at specified current	$V_F$	1.0			1.3		1.7			V
Maximum DC reverse current	$I_R$	5.0								$\mu\text{A}$
Maximum reverse recovery time (Note 1)	$t_{rr}$	50					75			ns
Operating temperature range	$T_J$	-55 ~ +150								$^\circ\text{C}$
Storage temperature range	$T_{STG}$	-55 ~ +150								$^\circ\text{C}$

NOTES:

1. Reverse recovery test conditions:  $I_F=0.5\text{A}$ ,  $I_R=1.0\text{A}$ ,  $I_{RR}=0.25\text{A}$ (RGI circuit)

## Rating and Characteristic Curves (HER101-G Thru. HER108-G)

Fig.1- Forward Current Derating Curve

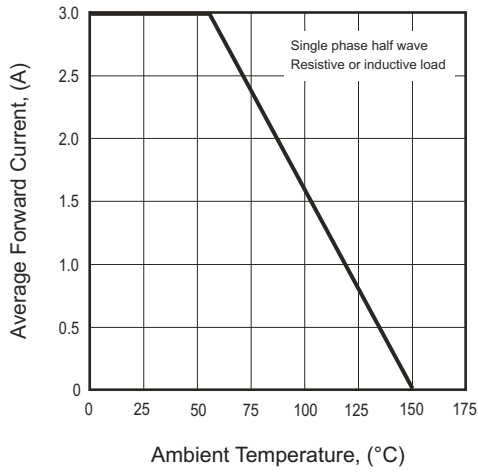


Fig.2- Typical Forward Characteristics

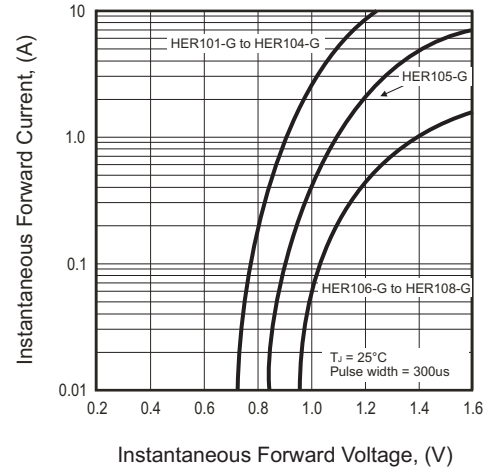


Fig.3- Peak Forward Surge Current

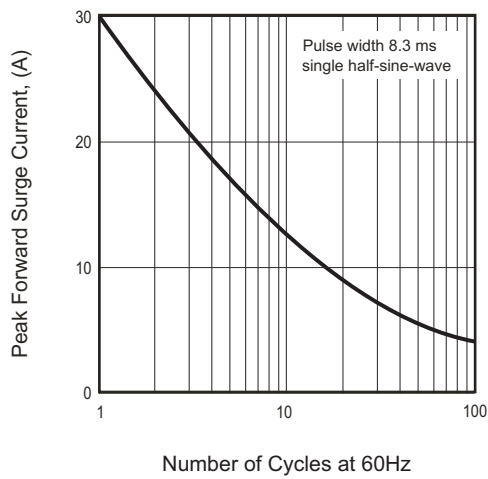
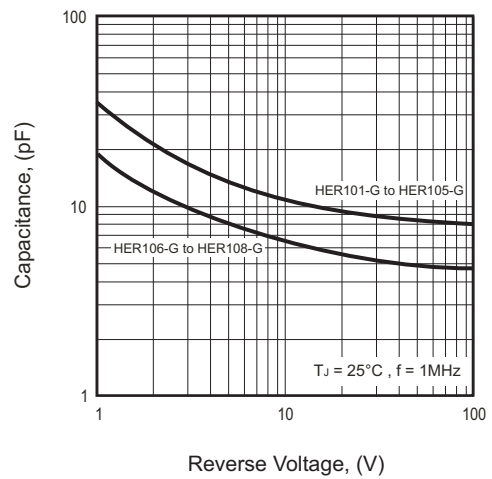
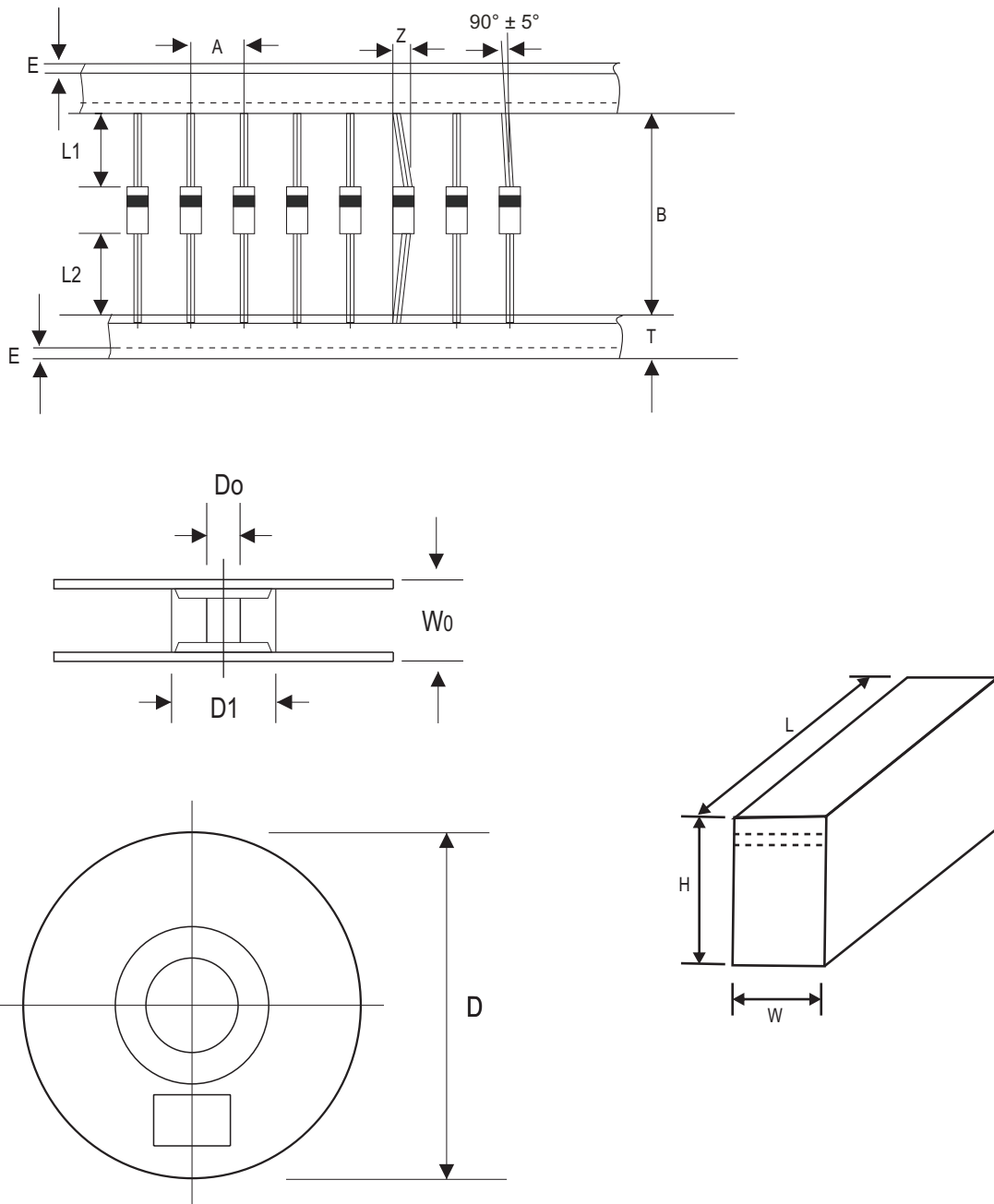


Fig.4- Typical Junction Capacitance



## Taping Specification For Axial Lead Diodes



DO-41	SYMBOL	A	B	Z	T	E	L1-L2
	(mm)	$5.0 \pm 0.50$	$52.0 \pm 0.50$	1.2 (max)	$6.0 \pm 0.40$	3.0 (max)	1.0 (max)
	(inch)	$0.197 \pm 0.020$	$2.047 \pm 0.020$	0.047 (max)	$0.236 \pm 0.016$	0.118 (max)	0.039 (max)

DO-41	SYMBOL	D1	D0	D	W0	L	W	H
	(mm)	$85.7 \pm 0.3$	$16.6 \pm 0.4$	330	$72.0 \pm 0.3$	$260.0 \pm 5.0$	$75.0 \pm 5.0$	$145.0 \pm 5.0$
	(inch)	$3.374 \pm 0.012$	$0.654 \pm 0.016$	13	$2.835 \pm 0.012$	$10.236 \pm 0.197$	$2.953 \pm 0.197$	$5.709 \pm 0.197$

## Marking Code

Part Number	Marking code	Packaging
HER101-G	HER101	AMMO
HER102-G	HER102	AMMO
HER103-G	HER103	AMMO
HER104-G	HER104	AMMO
HER105-G	HER105	AMMO
HER106-G	HER106	AMMO
HER107-G	HER107	AMMO
HER108-G	HER108	AMMO
HER101T-G	HER101	REEL
HER102T-G	HER102	REEL
HER103T-G	HER103	REEL
HER104T-G	HER104	REEL
HER105T-G	HER105	REEL
HER106T-G	HER106	REEL
HER107T-G	HER107	REEL
HER108T-G	HER108	REEL
HER101B-G	HER101	BULK
HER102B-G	HER102	BULK
HER103B-G	HER103	BULK
HER104B-G	HER104	BULK
HER105B-G	HER105	BULK
HER106B-G	HER106	BULK
HER107B-G	HER107	BULK
HER108B-G	HER108	BULK



**XXX = Product type marking code**

## Standard Package

Case Type	AMMO PACK		
	BOX (EA)	Box / Carton	CARTON (EA)
DO-41	3,000	10	30,000
	5,000	10	50,000

Case Type	AMMO REEL			
	REEL (EA)	Reel / Carton	CARTON (EA)	Reel Size (inch)
DO-41	5,000	4	20,000	13

Case Type	BULK PACK		
	BOX (EA)	Box / Carton	CARTON (EA)
DO-41	1,000	50	50,000