

HER201-G Thru. HER208-G

Voltage: 50 to 1000 V

Current: 2.0 A

RoHS Device

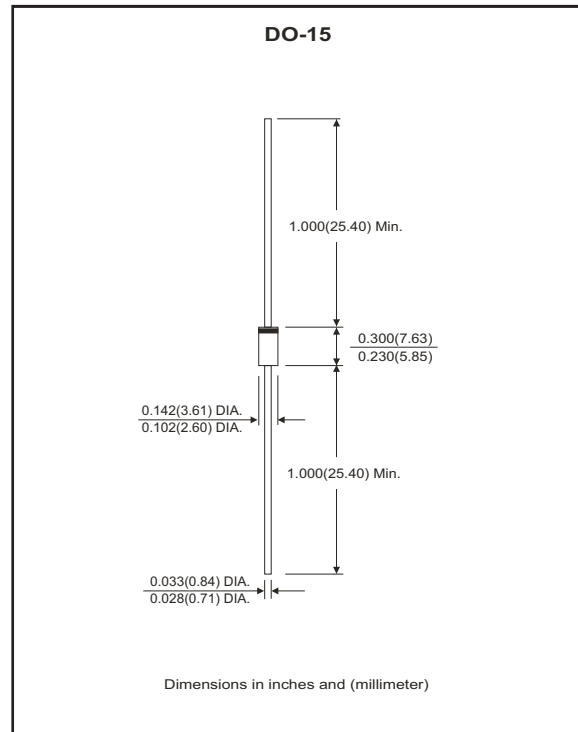


Features

- Glass passivated chip.
- Low forward voltage.
- High reliability.
- High surge current capability.
- High speed switching.

Mechanical data

- Case: JEDEC DO-15 molded plastic.
- Epoxy: UL 94V-0 rate flame retardant.
- Polarity: Color band denotes cathode end.
- Lead: Solderable per MIL-STD-202, method 208 guaranteed.
- Mounting position: Any
- Weight: 0.402 grams



Electrical Characteristics (at $T_A=25^\circ\text{C}$ unless otherwise noted)

Ratings at 25°C ambient temperature unless otherwise specified.

Single phase, half wave, 60Hz, resistive or inductive load.

For capacitive load derate current by 20%.

Parameter	Symbol	HER201 -G	HER202 -G	HER203 -G	HER204 -G	HER205 -G	HER206 -G	HER207 -G	HER208 -G	Unit
Maximum repetitive peak reverse voltage @ $I_T = 5\mu\text{A}$	V_{RRM}	50	100	200	300	400	600	800	1000	V
Maximum RMS voltage	V_{RMS}	35	70	140	210	280	420	560	700	V
Maximum DC blocking voltage	V_{DC}	50	100	200	300	400	600	800	1000	V
Maximum average forward rectified current @ $T_A=25^\circ\text{C}$	$I_{(AV)}$	2.0								A
Maximum instantaneous forward voltage at specified current	V_F	1.0			1.3		1.7			V
Maximum DC reverse current	I_R	5.0								μA
Maximum reverse recovery time (Note 1)	t_{rr}	50					75			ns
Operating temperature range	T_J	-55 ~ +150								$^\circ\text{C}$
Storage temperature range	T_{STG}	-55 ~ +150								$^\circ\text{C}$

NOTES:

1. Reverse recovery test conditions: $I_F=0.5\text{A}$, $I_R=1.0\text{A}$, $I_{RR}=0.25\text{A}$ (RGI circuit)

Rating and Characteristic Curves (HER201-G Thru. HER208-G)

Fig.1- Forward Current Derating Curve

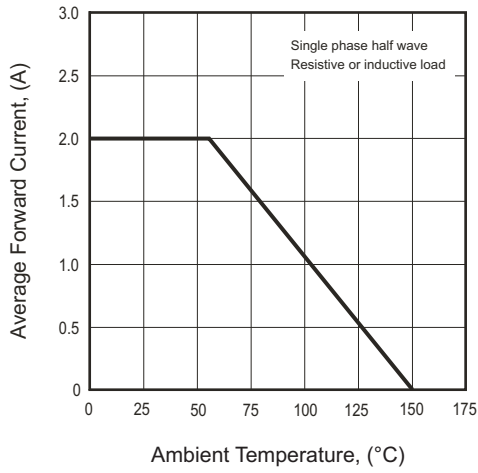


Fig.2- Typical Forward Characteristics

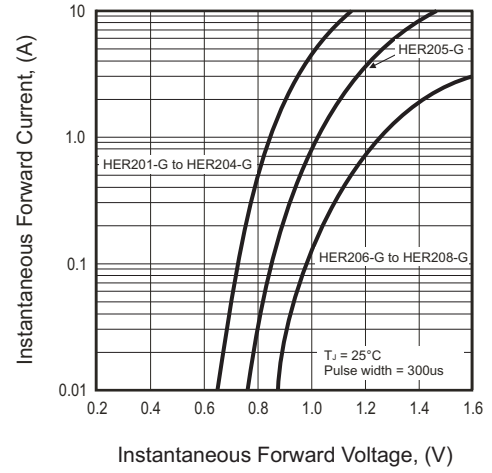


Fig.3- Peak Forward Surge Current

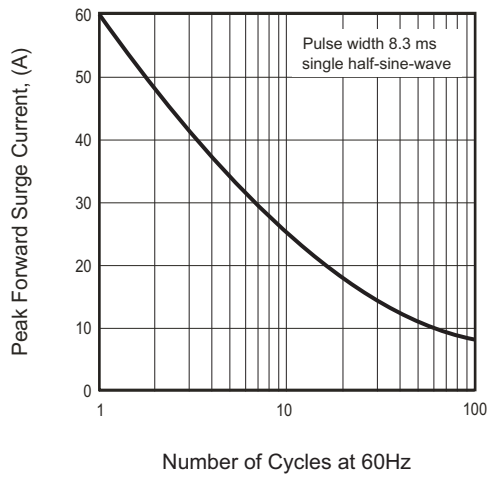
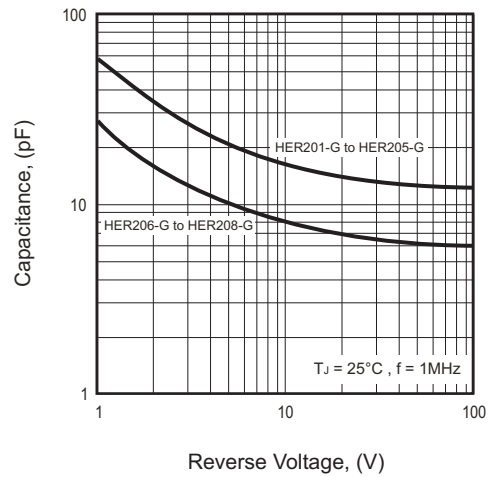
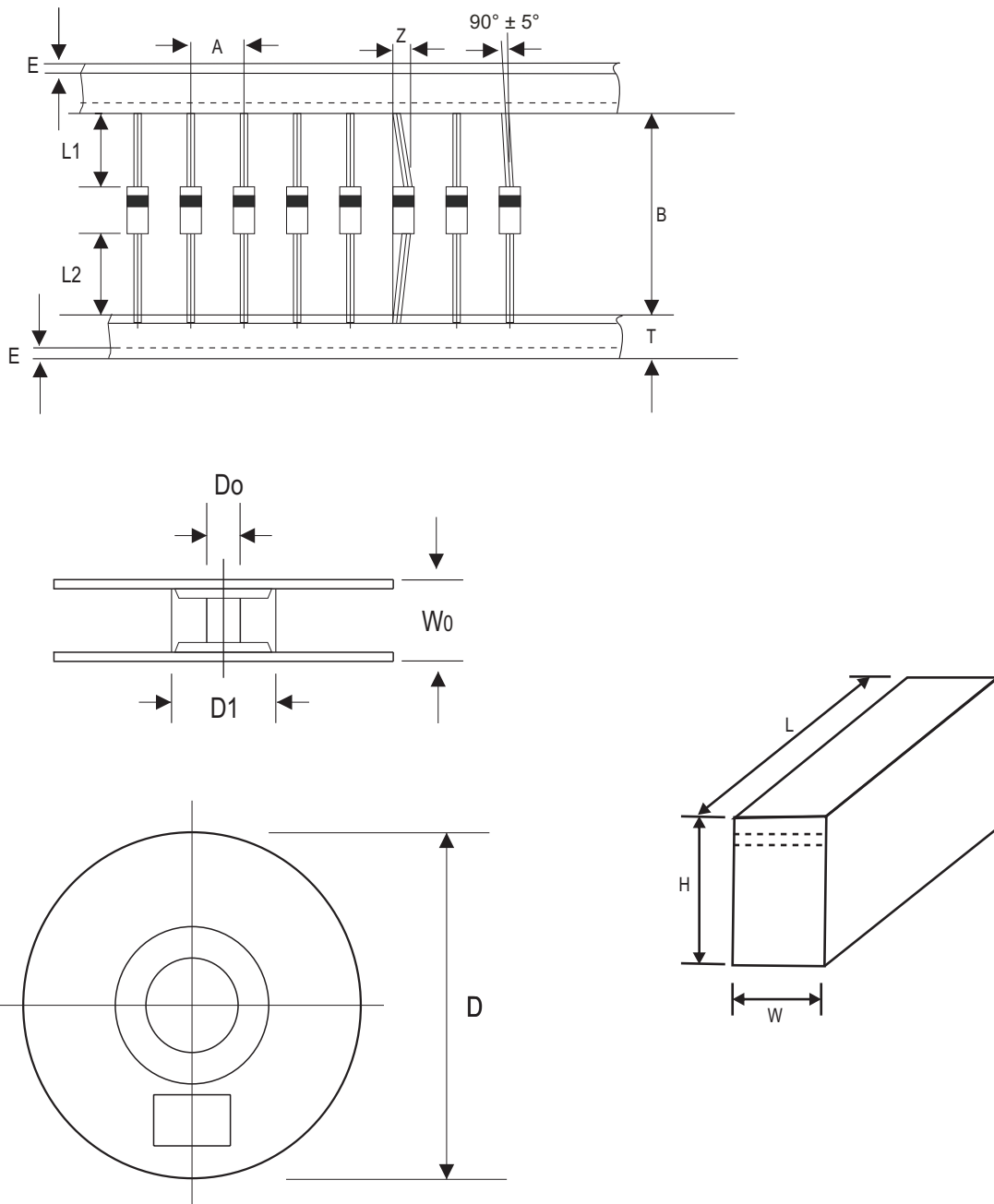


Fig.4- Typical Junction Capacitance



Taping Specification For Axial Lead Diodes



DO-15	SYMBOL	A	B	Z	T	E	L1-L2
	(mm)	5.0 ± 0.50	52.0 ± 0.50	1.2 (max)	6.0 ± 0.40	3.0 (max)	1.0 (max)
	(inch)	0.197 ± 0.020	2.047 ± 0.020	0.047 (max)	0.236 ± 0.016	0.118 (max)	0.039 (max)

DO-15	SYMBOL	D1	Do	D	W0	L	W	H
	(mm)	85.7 ± 0.3	16.6 ± 0.4	330	72.0 ± 0.3	260.0 ± 5.0	80.0 ± 5.0	145.0 ± 5.0
	(inch)	3.374 ± 0.012	0.654 ± 0.016	13	2.835 ± 0.012	10.236 ± 0.197	3.150 ± 0.197	5.709 ± 0.197

Marking Code

Part Number	Marking code	Packaging
HER201-G	HER201	AMMO
HER202-G	HER202	AMMO
HER203-G	HER203	AMMO
HER204-G	HER204	AMMO
HER205-G	HER205	AMMO
HER206-G	HER206	AMMO
HER207-G	HER207	AMMO
HER208-G	HER208	AMMO
HER201T-G	HER201	REEL
HER202T-G	HER202	REEL
HER203T-G	HER203	REEL
HER204T-G	HER204	REEL
HER205T-G	HER205	REEL
HER206T-G	HER206	REEL
HER207T-G	HER207	REEL
HER208T-G	HER208	REEL
HER201B-G	HER201	BULK
HER202B-G	HER202	BULK
HER203B-G	HER203	BULK
HER204B-G	HER204	BULK
HER205B-G	HER205	BULK
HER206B-G	HER206	BULK
HER207B-G	HER207	BULK
HER208B-G	HER208	BULK



XXX = Product type marking code

Standard Package

Case Type	AMMO PACK		
	BOX (EA)	Box / Carton	CARTON (EA)
DO-15	2,000	10	20,000
	3,000	10	30,000

Case Type	AMMO REEL			
	REEL (EA)	Reel / Carton	CARTON (EA)	Reel Size (inch)
DO-15	4,000	4	16,000	13

Case Type	BULK PACK		
	BOX (EA)	Box / Carton	CARTON (EA)
DO-15	500	24	12,000