

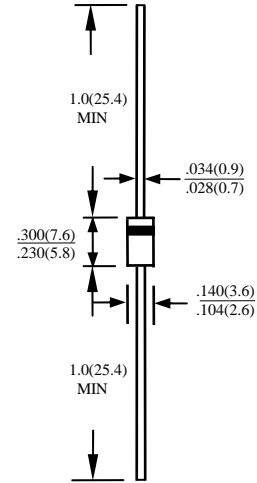
2A ULTRA FAST RECOVERY RECTIFIER

FEATURES

- PLASTIC PACKAGE HAS UNDERWRITERS LABORATORY FLAMMABILITY CLASSIFICATION 94V-0
- ULTRA FAST RECOVERY TIMES FOR HIGH EFFICIENCY
- LOW FORWARD VOLTAGE, HIGH CURRENT CAPABILITY
- LOW LEAKAGE
- HIGH SURGE CAPABILITY
- HIGH TEMPERATURE SOLDERING GUARANTEED : 260°C .375" (9.5mm) LEAD LENGTHS FOR 10 SECONDS AT 5 LBS. (2.3KG) TENSION
- GLASS

MECHANICAL DATA

- CASE : MOLDED PLASTIC
- TERMINALS : AXIAL LEADS SOLDERABLE PER MIL-STD-202, METHOD 208
- POLARITY : COLOR BAND DENOTES CATHODE END
- MOUNTING POSITION : ANY
- WEIGHT : 0.4 GRAMS



CASE : DO15

DIMENSIONS IN INCHES AND (MILLIMETERS)

MAXIMUM RATINGS AND ELECTRICAL CHARACTERISTICS

RATINGS AT 25°C AMBIENT TEMPERATURE UNLESS OTHERWISE SPECIFIED
SINGLE PHASE, HALF WAVE, 60 HZ, RESISTIVE OR INDUCTIVE LOAD.
FOR CAPACITIVE LOAD, DERATE CURRENT BY 20%

RATINGS	SYMBOL	HER201G	HER202G	HER203G	HER204G	HER205G	HER206G	HER207G	HER208G	UNITS	
MAXIMUM RECURRENT PEAK REVERSE VOLTAGE	V_{RRM}	50	100	200	300	400	600	800	1000	V	
MAXIMUM RMS VOLTAGE	V_{RMS}	35	70	140	210	280	420	560	700	V	
MAXIMUM DC BLOCKING VOLTAGE	V_{DC}	50	100	200	300	400	600	800	1000	V	
MAXIMUM AVERAGE FORWARD RECTIFIED CURRENT .375" (9.5mm) LEAD LENGTH AT $T_A=55^\circ\text{C}$	I_O	2.0								A	
PEAK FORWARD SURGE CURRENT 8.3ms SINGLE HALF SINE-WAVE SUPERIMPOSED ON RATED LOAD	I_{FSM}	60								A	
TYPICAL JUNCTION CAPACITANCE (NOTE 1)	C_J	30					20				PF
TYPICAL THERMAL RESISTANCE (NOTE 2)	$R_{\theta ja}$	25								$^\circ\text{C}/\text{W}$	
STORAGE TEMPERATURE RANGE	T_{STG}	-55 TO + 150								$^\circ\text{C}$	
OPERATING TEMPERATURE RANGE	T_{OP}	-55 TO + 150								$^\circ\text{C}$	

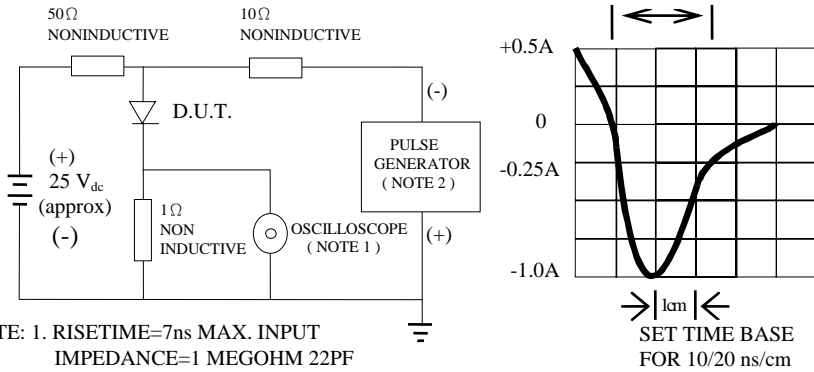
ELECTRICAL CHARACTERISTICS (AT $T_A = 25^\circ\text{C}$ UNLESS OTHERWISE NOTED)

CHARACTERISTICS	SYMBOL	HER201G	HER202G	HER203G	HER204G	HER205G	HER206G	HER207G	HER208G	UNITS	
MAXIMUM FORWARD VOLTAGE AT I_O DC	V_F	1.3					1.7				V
MAXIMUM REVERSE CURRENT AT $T_A=25^\circ$	I_R	10								μA	
MAXIMUM REVERSE CURRENT AT $T_A=100^\circ$	I_R	100								μA	
MAXIMUM REVERSE RECOVERY TIME (NOTE 3)	T_{RR}	50					75				nS

- NOTE : 1. MEASURED AT 1 MHZ AND APPLIED REVERSE VOLTAGE OF 4.0 VOLTS
2. BOTH LEADS ATTACHED TO HEATSINK 35x35x1t(mm) COPPER PLATE AT LEAD LENGTH 5mm
3. REVERSE RECOVERY TEST CONDITIONS: $I_F=0.5\text{A}$, $I_R=1.0\text{A}$, $I_{RR}=0.25\text{A}$

RATINGS AND CHARACTERISTIC CURVE HER201G THRU HER208G

FIG. 1-TEST CIRCUIT DIAGRAM AND REVERSE RECOVERY TIME CHARACTERISTIC



NOTE: 1. RISE TIME = 7ns MAX. INPUT IMPEDANCE = 1 MEGOHM 22PF
 2. RISE TIME = 10ns MAX. SOURCE IMPEDANCE = 50OHMS

FIG. 2-TYPICAL FORWARD CURRENT DERATING CURVE

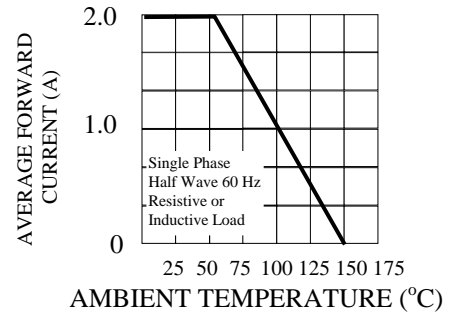


FIG. 3-TYPICAL REVERSE CHARACTERISTICS

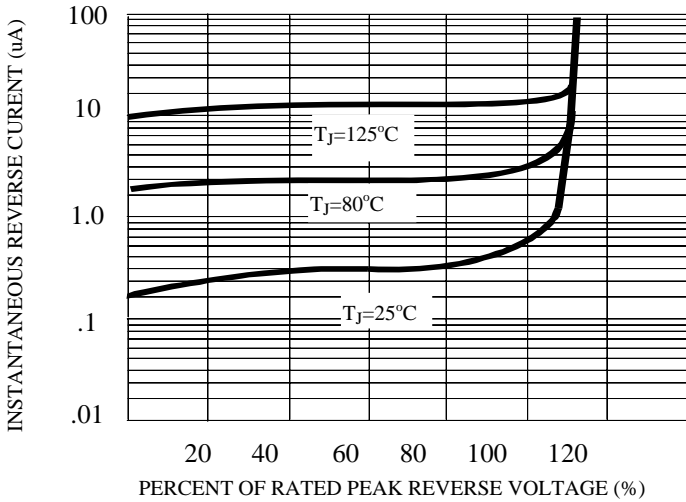


FIG. 4-TYPICAL INSTANTANEOUS FORWARD CHARACTERISTICS

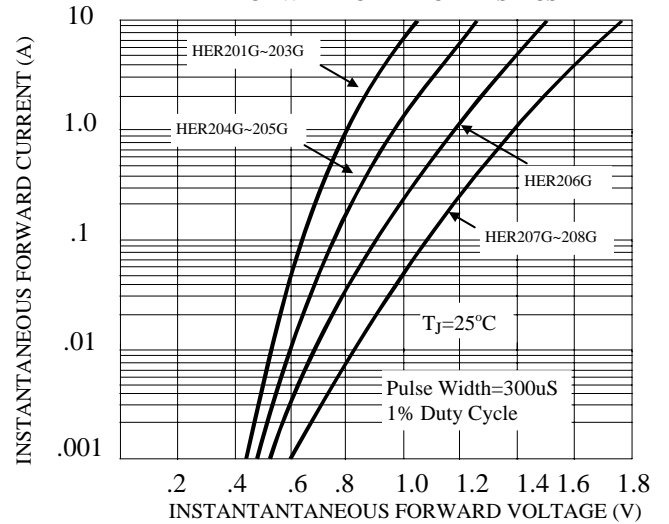


FIG. 5-MAXIMUM NON-REPETITIVE FORWARD SURGE CURRENT

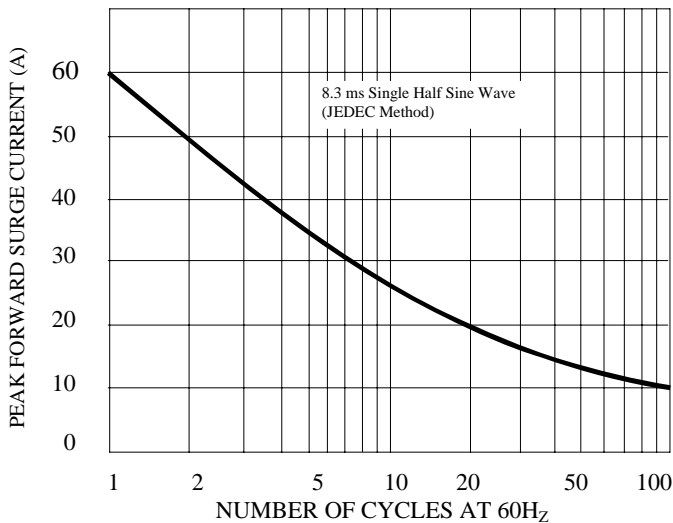


FIG. 6-TYPICAL JUNCTION CAPACITANCE

