

HF26F-T(JQC-26F-T)**SUBMINIATURE HIGH TEMPERATURE RELAY**

File No.:E133481



File No.: 40013995

**Features**

- 4000VAC surge voltage(between coil and contacts)
- 10A 250VAC switching capacity (at 105°C)
- Clearance / creepage distance meeting VDE0435 / 0700
- UL94, V-0 flammability class
- Environmental friendly product (RoHS compliant)
- Outline Dimensions: (15.0 x 15.0 x 20.0) mm

CONTACT DATA

Contact arrangement	1A	1C
Contact resistance	50mΩ (at 1A 6VDC)	
Contact material	AgNi90/10	
Contact rating	10A 250VAC	NO: 10A 250VAC NC: 4A 250VAC
Max. switching voltage	400VAC	250VAC
Max. switching current	15A	
Max. switching power	2500VA	
Mechanical endurance	5 x 10 ⁶ ops	
Electrical endurance	2.5 x 10 ⁴ ops	

CHARACTERISTICS

Insulation resistance	100MΩ (at 500VDC)
Dielectric strength	Between coil & contacts 3400V 1min
	Between open contacts 1000V 1min
Surge voltage (Between coil & contacts)	4000Vrms
Operate time (at nomi. volt.)	15ms max.
Release time (at nomi. volt.)	15ms max.
Bounce time	15ms max.
Temperature rise (at nomi. volt.)	60K max.
Shock resistance (Destruction)	1000m/s ² (100g)
Vibration resistance	30Hz to 400Hz 4g
Humidity	40% to 85% RH
Ambient temperature	-40°C to 105°C
Termination	PCB
Unit weight	Approx. 5.6g
Construction	Flux proofed

Notes: The data shown above are initial values.

COIL

Coil power	360mW
------------	-------

COIL DATA

at 23°C

Nominal Voltage VDC	Pick-up Voltage VDC	Drop-out Voltage VDC	Max. Allowable Voltage VDC	Coil Resistance Ω
5	3.75	0.5	8.0	70 x (1±10%)
6	4.50	0.6	10.0	100 x (1±10%)
9	6.75	0.9	14.5	225 x (1±10%)
12	9.00	1.2	18.5	400 x (1±10%)
18	13.5	1.8	26.0	900 x (1±10%)
22	16.5	2.2	34.0	1345 x (1±10%)
24	18.0	2.4	35.5	1600 x (1±10%)
36	27.0	3.6	52.0	3600 x (1±10%)

Notes: Other coil voltage on request.

SAFETY APPROVAL RATINGS

UL&CUR	1 Form A	10A 250VAC
	1 Form C	10A 250VAC
VDE	1 Form A	10A 250VAC
	1 Form C	NO:10A 250VAC NC: 4A 250VAC

Notes: Only some typical ratings are listed above. If more details are required, please contact us.



HONGFA RELAY

ISO9001、ISO/TS16949、ISO14001、OHSAS18001 CERTIFIED

2007 Rev. 2.00

ORDERING INFORMATION

HF26F-T /		012	-1H	(XXX)
Type ¹⁾	HF26F-T JQC-26F-T (Old type)			
Coil voltage	5, 6, 9, 12, 18, 22, 24, 36VDC			
Contact arrangement	1H: 1 Form A 1Z: 1 Form C			
Customer special code ²⁾	Only for special requirements, e.g. (555) stands for RoHS compliant			

Notes: 1) We have now gradually updated our ordering information. We suggest new type should be selected. If necessary, old type can be kept for some period for the old customers.

2) HF26F-T is an environmental friendly product. Please mark a special code (555) when ordering.

OUTLINE DIMENSIONS, WIRING DIAGRAM AND PC BOARD LAYOUT

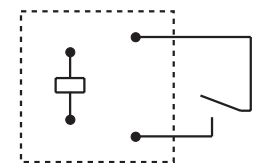
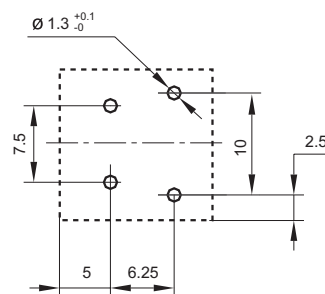
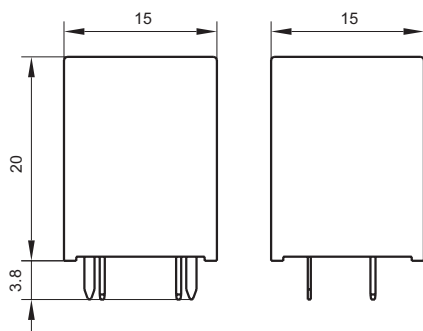
Unit: mm

Outline Dimensions

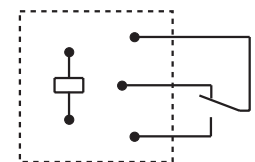
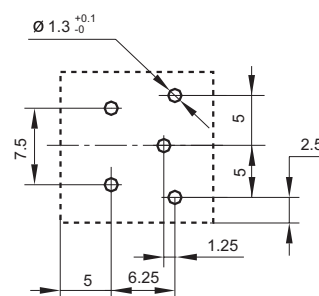
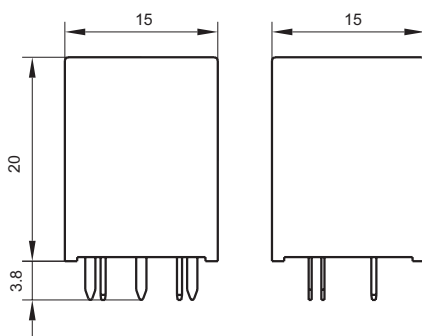
PCB Layout

Wiring Diagram

1 Form A



1 Form C

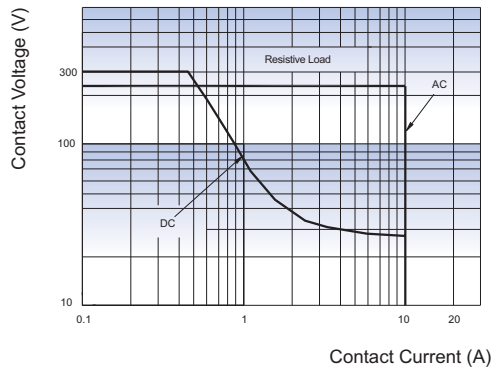


Remark: 1) In case of no tolerance shown in outline dimension: outline dimension ≤ 1 mm, tolerance should be ± 0.2 mm; outline dimension > 1 mm and ≤ 5 mm, tolerance should be ± 0.3 mm; outline dimension > 5 mm, tolerance should be ± 0.4 mm.

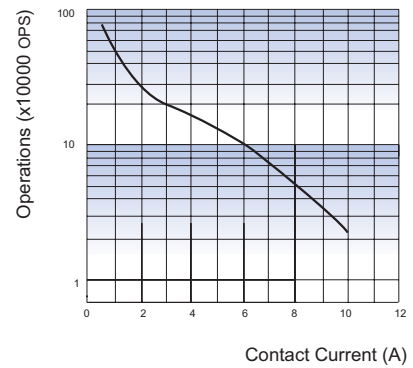
2) The tolerance without indicating for PCB layout is always ± 0.1 mm.

CHARACTERISTIC CURVES

MAXIMUM SWITCHING POWER



ENDURANCE CURVE



Disclaimer

This datasheet is for the customers' reference. All the specifications are subject to change without notice.

We could not evaluate all the performance and all the parameters for every possible application. Thus the user should be in a right position to choose the suitable product for their own application. If there is any query, please contact Hongfa for the technical service. However, it is the user's responsibility to determine which product should be used only.

© Xiamen Hongfa Electroacoustic Co., Ltd. All rights of Hongfa are reserved.