

HF9311**HALF-SIZE CRYSTAL CAN HIGH DIELECTRIC STRENGTH HERMETICALLY SEALED RELAY****Features**

- Dielectric strength can be 1200 Vr.m.s
- Load can be 5A 28Vd.c.
- High pure nitrogen protection
- High ambient applicability
- All metal welded construction
- Hermetically welded and marked by laser

Conform to GJB1042A-2002 (Equivalent to MIL-R-5757)

AMBIENT ADAPTABILITY

Ambient Grade		I	II
Ambient Temperature		-65°C to 85°C	-65°C to 125°C
Humidity			98%, 40°C
Low Air Pressure		58.53kPa	4.4KPa
Vibration Resistance	Frequency Ratings	10Hz to 2000Hz	10Hz to 3000Hz
	Acceleration	196m/s ²	294m/s ²
Shock Resistance		735m/s ²	980m/s ²
Random Vibration			40(m/s ²) ² /Hz
Acceleration			490m/s ²
Implementation Standard			GJB1042A-2002 (MIL-R-5757)

CONTACT DATA

Arrangement		2 Form C
Contact Material		Gold plated hardened silver alloy
Contact Resistance(max.)	Initial	50mΩ
	After Life	100mΩ

Contact Ratings

Ambient Grade	Contact Load	Type	Electrical Life (min.)
I	5A 28Vd.c.	Resistive	1 x 10 ⁵ OPS
II	5A 28Vd.c.	Resistive	1 x 10 ⁵ OPS
	50μA 50mVd.c.	Low Level	1 x 10 ⁵ OPS

SPECIFICATION

Ambient Grade		I	II
Insulation Resistance (min.)		1000MΩ (at 500Vd.c.)	10000MΩ (at 500Vd.c.)
Dielectric Strength min. (Normal condition)	Between open contacts	500Vr.m.s.	500Vr.m.s.
	Between contacts & coil	1200Vr.m.s.	1200Vr.m.s.
	Between contacts & cover	1200Vr.m.s.	1200Vr.m.s.
	Between contacts sets	1200Vr.m.s.	1200Vr.m.s.
	Between coil & cover	1200Vr.m.s.	500Vr.m.s.
Dielectric Strength min. (Low air pressure condition)		300Vr.m.s.	350Vr.m.s.
Leakage Rate		1 Pa·cm ³ /s	1 x 10 ⁻³ Pa·cm ³ /s



HONGFA RELAY

ISO9001、ISO/TS16949、ISO14001、OHSAS18001 CERTIFIED

2007 Rev. 1.00

SPECIFICATION

Ambient Grade	I	II
Operate Time (max.)	6ms	
Release Time (max.)	4ms	
Mounting Style	See "Mounting styles" below	
Terminals	PCB, Solder	
Work Position	Any position	
Weight	13g	

COIL DATA

Normal Coil Power	1.2W
-------------------	------

Coil Version

Vd.c.

Coi Voltage		25°C				-65°C to 125°C		
Nominal	Max	Pick-up Voltage max	Hold Voltage max	Drop-out Voltage min	Coil Resistance (1±10%) Ω	Pick-up Voltage max	Hold Voltage max	Drop-out Voltage min
005	6.0	3.0	1.65	0.29	21	4.2	2.4	0.21
006	7.5	3.6	2.00	0.35	30	5.1	2.9	0.25
009	11.8	5.4	3.00	0.52	68	7.7	4.3	0.38
012	15.0	7.3	4.00	0.70	125	10.5	5.8	0.50
024	28.8	14.8	7.50	1.20	480	20.8	11.6	0.90
027	32.0	16.0	8.50	1.50	600	22.5	14.0	1.00

Notes: We can offer many kinds of of coil voltage under the requirement of users.

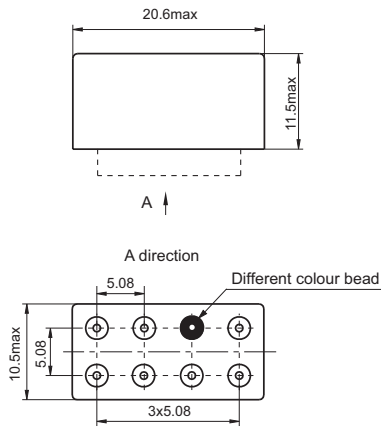
ORDERING INFORMATION

Type	HF9311	-012	0	1	I
Coil Voltage	5, 6, 9, 12, 24, 27Vd.c.				
Mounting Styles	0, 1, 2, 3 (See " Mounting styles " below)				
Terminals	1, 3, 4 (See " Terminal styles " below)				
Ambient Grade	I、II				

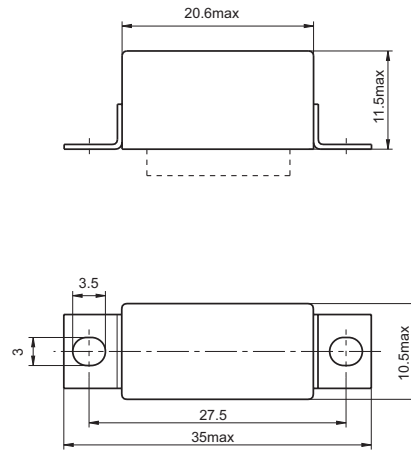
OUTLINE DIMENSIONS, WIRING DIAGRAM AND PC BOARD LAYOUT

Unit: mm

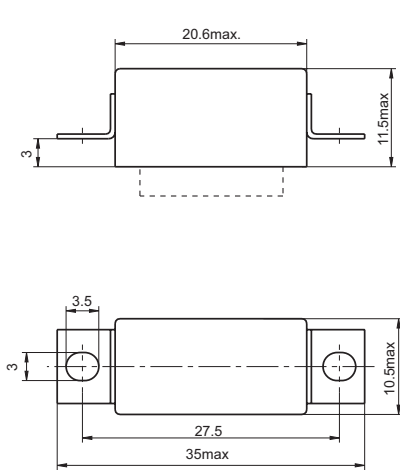
Mounting style 0



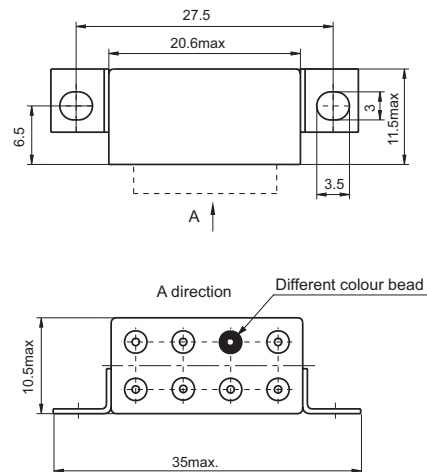
Mounting style 1



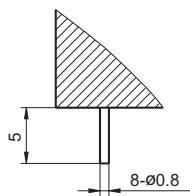
Mounting style 2



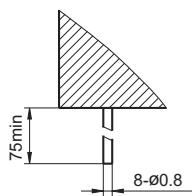
Mounting style 3



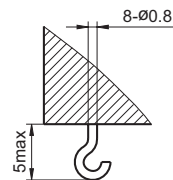
Terminal style 1



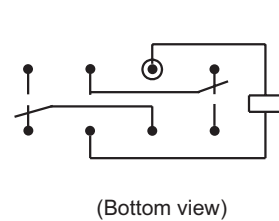
Terminal style 3



Terminal style 4



Wiring Diagram



Disclaimer

This datasheet is for the customers' reference. All the specifications are subject to change without notice. We could not evaluate all the performance and all the parameters for every possible application. Thus the user should be in a right position to choose the suitable product for their own application. If there is any query, please contact Hongfa for the technical service. However, it is the user's responsibility to determine which product should be used only.