

HFA06TB120S.. Series

Ultrafast, Soft Recovery Diode

Features

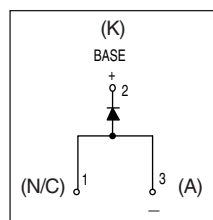
- Ultrafast Recovery
- Ultrasoft Recovery
- Very Low I_{RRM}
- Very Low Q_{rr}
- Guaranteed Avalanche
- Specified at Operating Conditions

Benefits

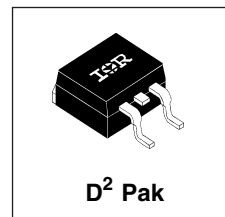
- Reduced RFI and EMI
- Reduced Power Loss in Diode and Switching Transistor
- Higher Frequency Operation
- Reduced Snubbing
- Reduced Parts Count

Description

International Rectifier's HFA06TB120S is a state of the art ultra fast recovery diode. Employing the latest in epitaxial construction and advanced processing techniques it features a superb combination of characteristics which result in performance which is unsurpassed by any rectifier previously available. With basic ratings of 1200 volts and 6 amps continuous current, the HFA06TB120S is especially well suited for use as the companion diode for IGBTs and MOSFETs. In addition to ultra fast recovery time, the HEXFRED product line features extremely low values of peak recovery current (I_{RRM}) and does not exhibit any tendency to "snap-off" during the t_b portion of recovery. The HEXFRED features combine to offer designers a rectifier with lower noise and significantly lower switching losses in both the diode and the switching transistor. These HEXFRED advantages can help to significantly reduce snubbing, component count and heatsink sizes. The HEXFRED HFA06TB120S is ideally suited for applications in power supplies and power conversion systems (such as inverters), motor drives, and many other similar applications where high speed, high efficiency is needed.



$V_R = 1200V$
$V_F(\text{typ.})^* = 2.4V$
$I_{F(AV)} = 6.0A$
$Q_{rr}(\text{typ.}) = 116nC$
$I_{RRM}(\text{typ.}) = 4.4A$
$t_{rr}(\text{typ.}) = 26ns$
$di_{(rec)}/dt(\text{typ.})^* = 100A/\mu s$



Absolute Maximum Ratings

	Parameter	Max.	Units
V_R	Cathode-to-Anode Voltage	1200	V
$I_F @ T_C = 100^\circ C$	Continuous Forward Current	8.0	A
I_{FSM}	Single Pulse Forward Current	80	
I_{FRM}	Maximum Repetitive Forward Current	24	
$P_D @ T_C = 25^\circ C$	Maximum Power Dissipation	62.5	W
$P_D @ T_C = 100^\circ C$	Maximum Power Dissipation	25	
T_J	Operating Junction and	-55 to +150	$^\circ C$
T_{STG}	Storage Temperature Range		

* 125°C

Electrical Characteristics @ $T_J = 25^\circ\text{C}$ (unless otherwise specified)

	Parameter	Min.	Typ.	Max.	Units	Test Conditions
V_{BR}	Cathode Anode Breakdown Voltage	1200	—	—	V	$I_R = 100\mu\text{A}$
V_{FM}	Max. Forward Voltage	—	2.7	3.0	V	$I_F = 6.0\text{A}$
		—	3.5	3.9		$I_F = 12\text{A}$
		—	2.4	2.8		$I_F = 6.0\text{A}, T_J = 125^\circ\text{C}$
I_{RM}	Max. Reverse Leakage Current	—	0.26	5.0	μA	$V_R = V_R \text{ Rated}$
		—	110	500		$T_J = 125^\circ\text{C}, V_R = 0.8 \times V_R \text{ Rated}$
C_T	Junction Capacitance	—	9.0	14	pF	$V_R = 200\text{V}$
L_S	Series Inductance	—	8.0	—	nH	Measured lead to lead 5mm from pkg body

Dynamic Recovery Characteristics @ $T_J = 25^\circ\text{C}$ (unless otherwise specified)

	Parameter	Min.	Typ.	Max.	Units	Test Conditions
t_{rr}	Reverse Recovery Time	—	26	—	ns	$I_F = 1.0\text{A}, di/dt = 200\text{A}/\mu\text{s}, V_R = 30\text{V}$
t_{rr1}		—	53	80		$T_J = 25^\circ\text{C}$
t_{rr2}		—	87	130		$T_J = 125^\circ\text{C}$
I_{RRM1}	Peak Recovery Current	—	4.4	8.0	A	$T_J = 25^\circ\text{C}$
I_{RRM2}		—	5.0	9.0		$T_J = 125^\circ\text{C}$
Q_{rr1}	Reverse Recovery Charge	—	116	320	nC	$T_J = 25^\circ\text{C}$
Q_{rr2}		—	233	585		$T_J = 125^\circ\text{C}$
$di_{(rec)M}/dt1$	Peak Rate of Recovery	—	180	—	$\text{A}/\mu\text{s}$	$T_J = 25^\circ\text{C}$
$di_{(rec)M}/dt2$	Current During t_b	—	100	—		$T_J = 125^\circ\text{C}$

Thermal - Mechanical Characteristics

	Parameter	Min.	Typ.	Max.	Units
$T_{\text{lead}} \textcircled{1}$	Lead Temperature	—	—	300	$^\circ\text{C}$
R_{thJC}	Thermal Resistance, Junction to Case	—	—	2.0	K/W
$R_{\text{thJA}} \textcircled{2}$	Thermal Resistance, Junction to Ambient	—	—	80	
$R_{\text{thCS}} \textcircled{3}$	Thermal Resistance, Case to Heat Sink	—	0.5	—	
Wt	Weight	—	2.0	—	g
		—	0.07	—	(oz)

 $\textcircled{1}$ 0.063 in. from Case (1.6mm) for 10 sec $\textcircled{2}$ Typical Socket Mount

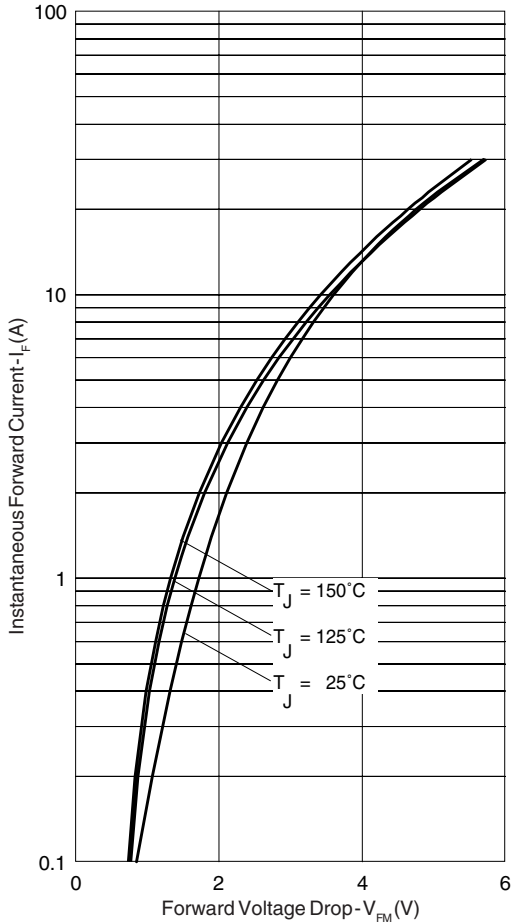


Fig. 1 - Typical Forward Voltage Drop Characteristics

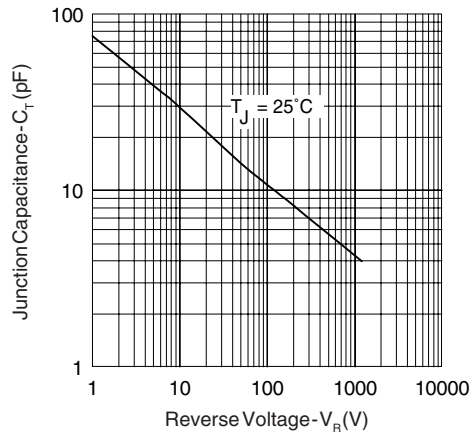
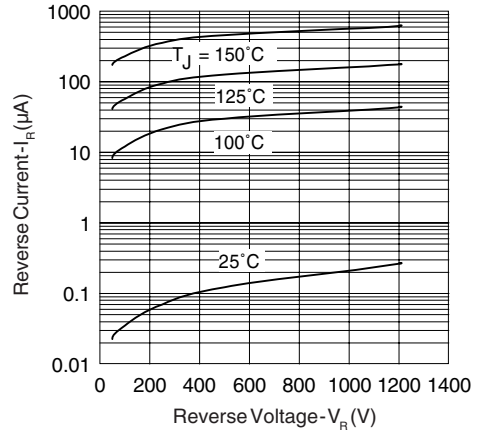


Fig. 3 - Typical Junction Capacitance Vs. Reverse Voltage

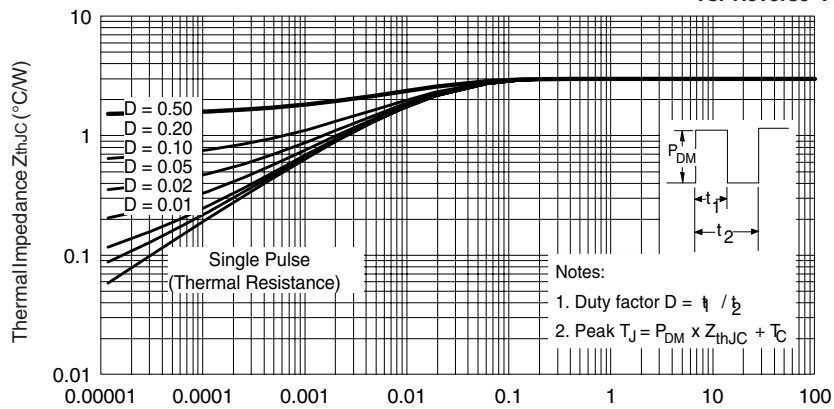


Fig. 4 - Maximum Thermal Impedance ZthJC Characteristics

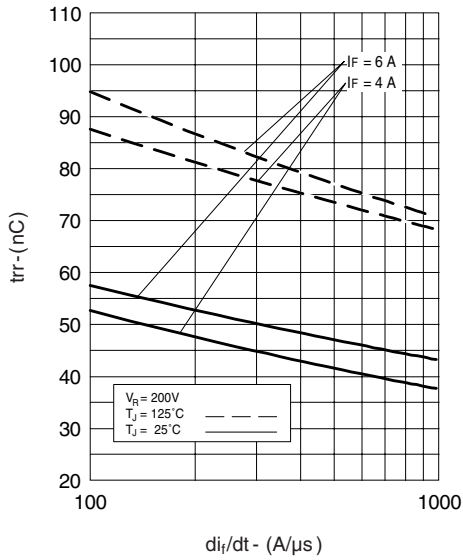


Fig. 5 - Typical Reverse Recovery Vs. dI_f/dt

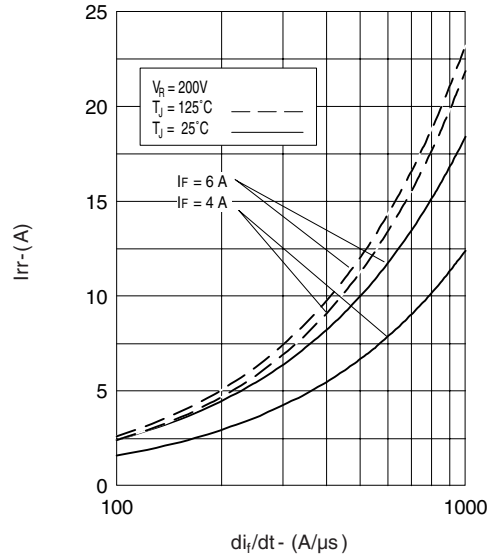


Fig. 6 - Typical Recovery Current Vs. dI_f/dt

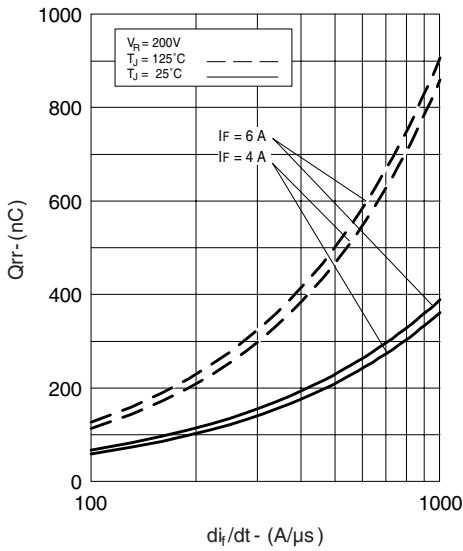


Fig. 8 - Typical Stored Charge vs. dI_f/dt

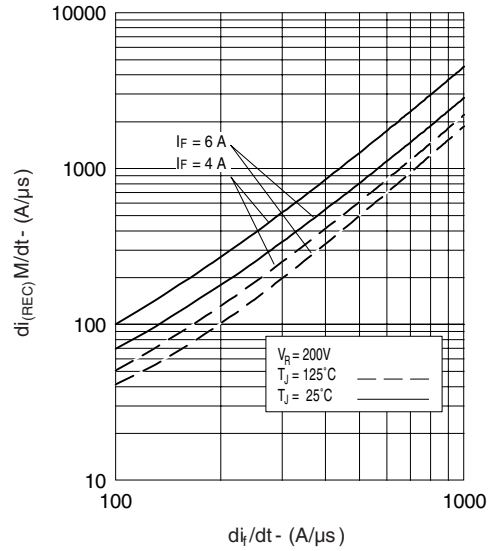


Fig. 7 - Typical $dI_{(REC)M}/dt$ vs. dI_f/dt

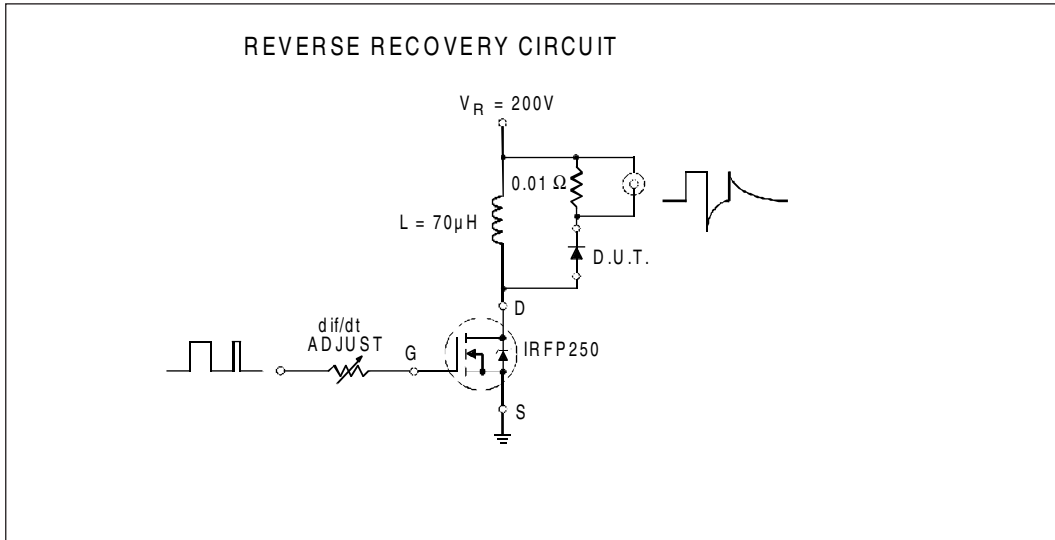


Fig. 9- Reverse Recovery Parameter Test Circuit

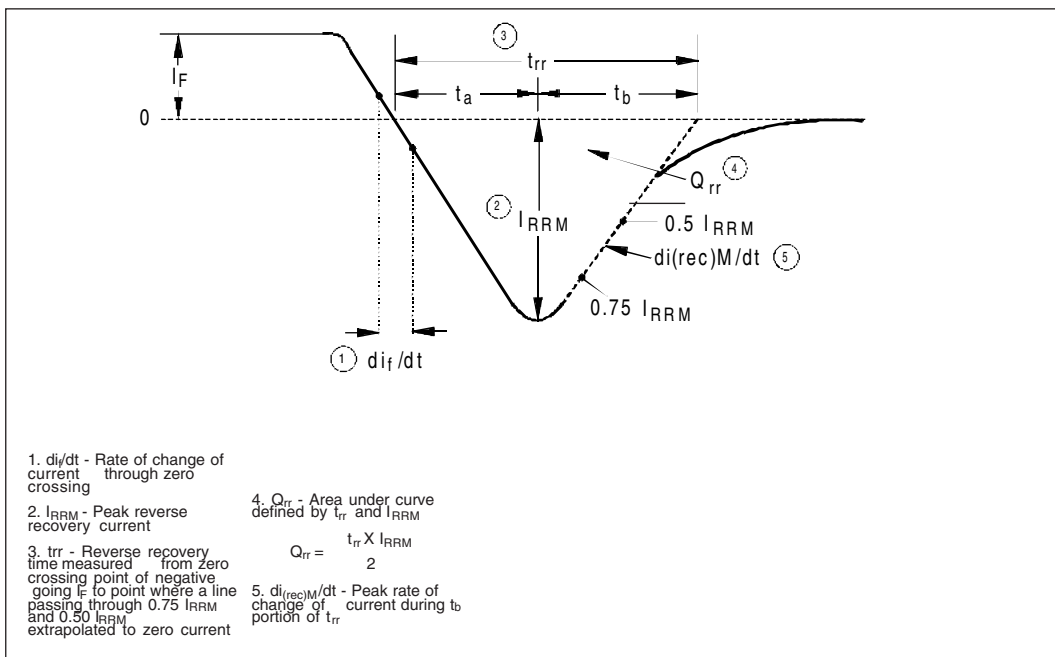
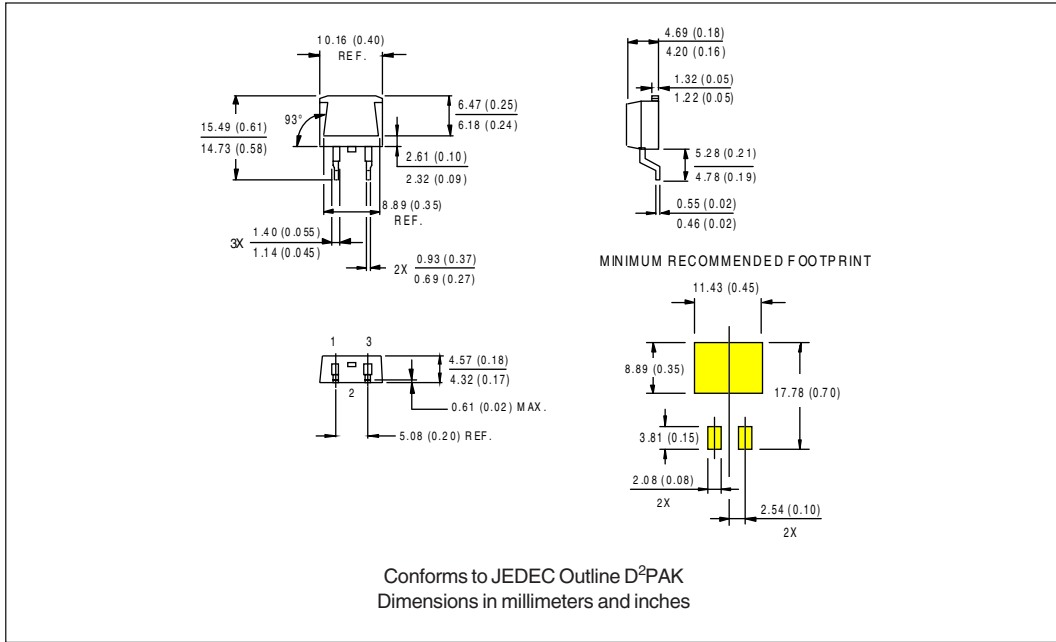
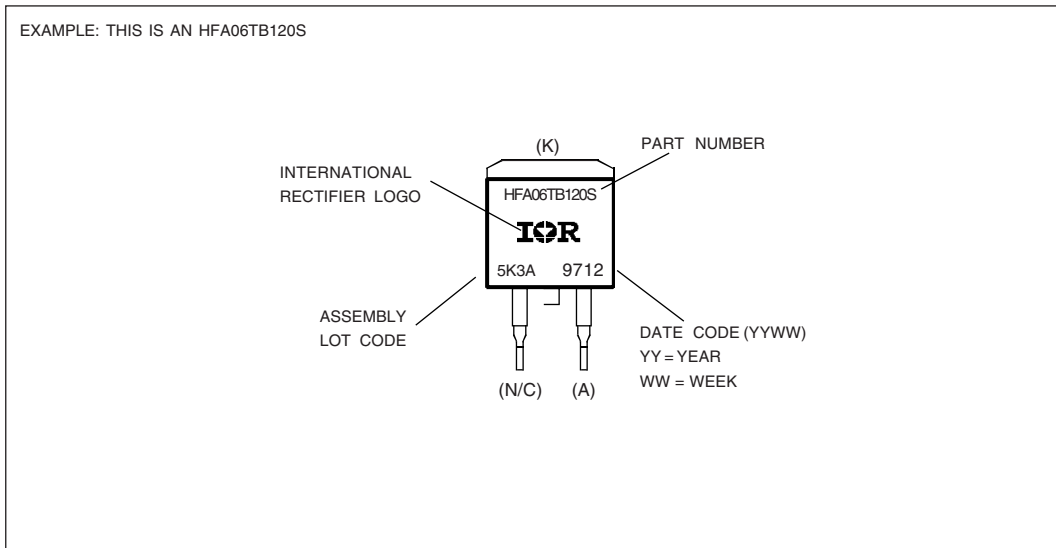


Fig. 10 - Reverse Recovery Waveform and Definitions

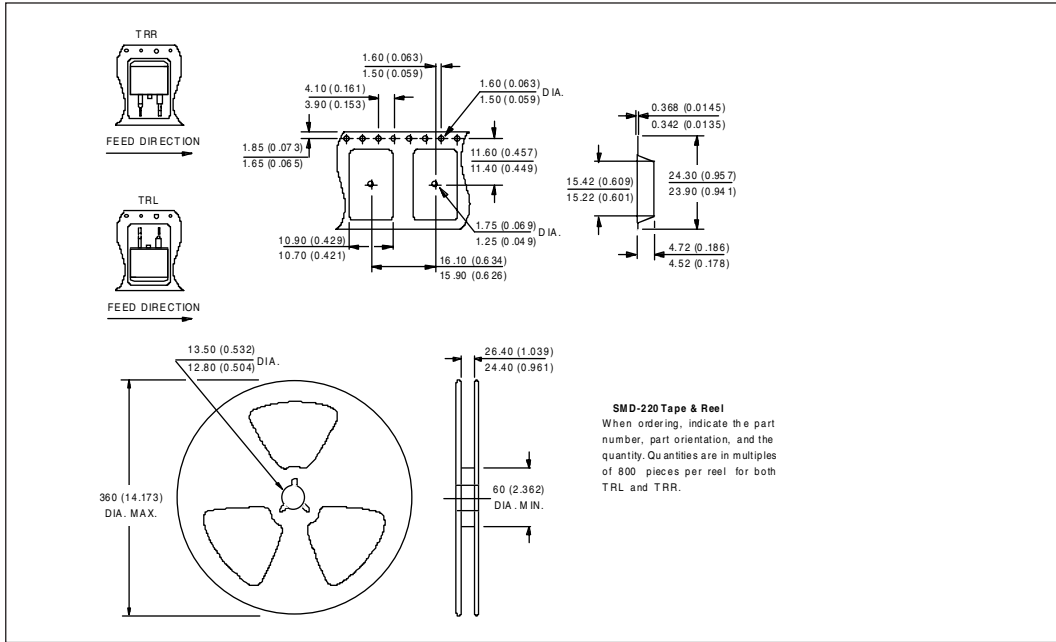
Outline Table



Part Marking Information



Tape & Reel Information



Ordering Information Table

Device Code						
HF	A	06	TB	120	S	TR
①	②	③	④	⑤	⑥	⑦
1	- Hexfred Family					
2	- Process Designator					
	A = A subs. elec. irradi.					
	B = B subs. Platinum					
3	- Average Current: Code 06 = 6 AMPS					
4	- Package Outline: Code TB = TO-220 2 Lead					
5	- Voltage code : Code 120 = 1200 V					
6	- Configuration : Code S = SMD					
7	- Suffix : Code TR = Tape and Reel					

HFA06TB120S..Series

PD-20602 rev. B 01/2000

International
IOR Rectifier

International
IOR Rectifier

WORLD HEADQUARTERS: 233 Kansas St., El Segundo, California 90245 U.S.A. Tel: (310) 322 3331. Fax: (310) 322 3332.
EUROPEAN HEADQUARTERS: Hurst Green, Oxted, Surrey RH8 9BB, U.K. Tel: ++ 44 1883 732020. Fax: ++ 44 1883 733408.
IR CANADA: 15 Lincoln Court, Brampton, Markham, Ontario L6T3Z2. Tel: (905) 453 2200. Fax: (905) 475 8801.
IR GERMANY: Saalburgstrasse 157, 61350 Bad Homburg. Tel: ++ 49 6172 96590. Fax: ++ 49 6172 965933.
IR ITALY: Via Liguria 49, 10071 Borgaro, Torino. Tel: ++ 39 11 45101111. Fax: ++ 39 11 45102220.
IR FAR EAST: K&H Bldg., 2F, 30-4 Nishi-Ikebukuro 3-Chome, Toshima-Ku, Tokyo, Japan 171. Tel: 81 3 3983 0086.
IR SOUTHEAST ASIA: 1 Kim Seng Promenade, Great World City West Tower, 13-11, Singapore 237994. Tel: ++ 65 838 4630.
IR TAIWAN: 16 Fl. Suite D.207, Sec. 2, Tun Haw South Road, Taipei, 10673, Taiwan. Tel: 886 2 2377 9936.