

**SURFACE MOUNT GLASS PASSIVATED  
HIGH EFFICIENCY SILICON RECTIFIER**  
VOLTAGE RANGE 50 to 1000 Volts CURRENT 1.0 Ampere

**FEATURES**

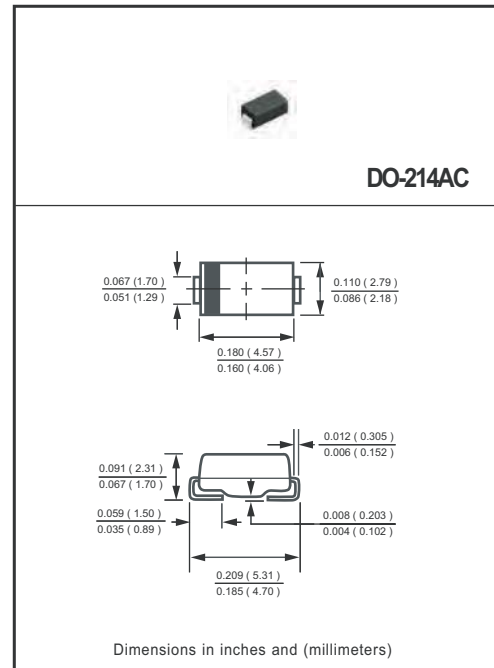
- \* Glass passivated device
- \* Ideal for surface mounted applications
- \* Low leakage current
- \* Metallurgically bonded construction
- \* P/N suffix V means AEC-Q101 qualified
- \* P/N suffix V means Halogen-free

**MECHANICAL DATA**

- \* Epoxy: Device has UL flammability classification 94V-0
- \* Mounting position: Any
- \* Weight: 0.057 gram

**MAXIMUM RATINGS AND ELECTRICAL CHARACTERISTICS**

Ratings at 25 °C ambient temperature unless otherwise specified.  
resistive or inductive load.



**MAXIMUM RATINGS (@ TA=25 °C unless otherwise noted)**

RATINGS	SYMBOL	HFM101	HFM102	HFM103	HFM104	HFM105	HFM106	HFM107	HFM108	UNITS
Maximum Recurrent Peak Reverse Voltage	$V_{RRM}$	50	100	200	300	400	600	800	1000	Volts
Maximum RMS Voltage	$V_{RMS}$	35	70	140	210	280	420	490	700	Volts
Maximum DC Blocking Voltage	$V_{DC}$	50	100	200	300	400	600	800	1000	Volts
Maximum Average Forward Rectified Current at $T_A = 50^\circ\text{C}$	$I_O$	1.0								Amps
Peak Forward Surge Current 8.3 ms single half sine-wave superimposed on rated load (JEDEC method)	$I_{FSM}$	30								Amps
Current Squared Time	$I^2t$	3.7								A <sup>2</sup> S
Typical Thermal Resistance (Note 1)	$R_{\theta JL}$	27								°C/W
Typical Thermal Resistance (Note 1)	$R_{\theta JA}$	75								°C/W
Typical Junction Capacitance (Note 2)	$C_J$	15				12				pF
Operating Temperature Range	$T_J$	-55 to + 150								°C
Storage Temperature Range	$T_{STG}$	-55 to + 150								°C

**ELECTRICAL CHARACTERISTICS (@TA=25 °C unless otherwise noted)**

CHARACTERISTICS	SYMBOL	HFM101	HFM102	HFM103	HFM104	HFM105	HFM106	HFM107	HFM108	UNITS
Maximum Instantaneous Forward Voltage at 1.0A DC	$V_F$	1.0			1.3		1.7			Volts
Maximum Full Load Reverse Current, Full cycle Average $T_A = 55^\circ\text{C}$	$I_R$	50								$\mu\text{A}$
Maximum Average Reverse Current @ $T_A = 25^\circ\text{C}$		5								$\mu\text{A}$
at Rated DC Blocking Voltage @ $T_A = 150^\circ\text{C}$		400								$\mu\text{A}$
Maximum Reverse Recovery Time (Note 4)	$t_{rr}$	50				75				nSec

- NOTES : 1. Thermal Resistance : Mounted on PCB.  
2. Measured at 1 MHz and applied reverse voltage of 4.0 volts.  
3. "Fully ROHS compliant", "100% Sn plating (Pb-free)".  
4. Test Conditions:  $I_F = 0.5\text{A}$ ,  $I_R = -1.0\text{A}$ ,  $I_{RR} = -0.25\text{A}$ .

## RATING AND CHARACTERISTICS CURVES ( HFM101 THRU HFM108 )

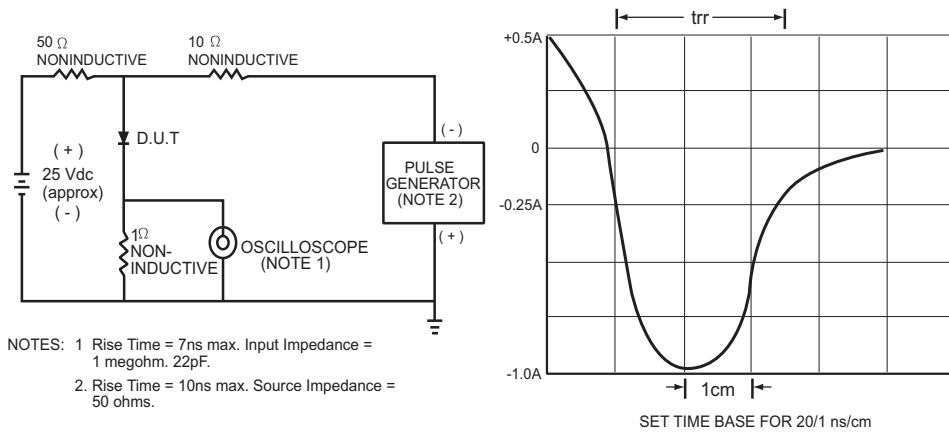


FIG.1 TEST CIRCUIT DIAGRAM AND REVERSE RECOVERY TIME CHARACTERISTIC

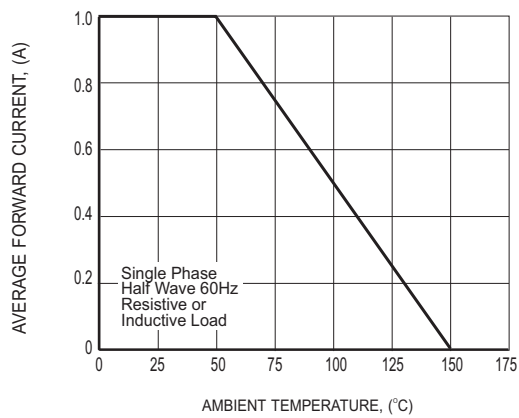


FIG.2 TYPICAL FORWARD CURRENT DERATING CURVE

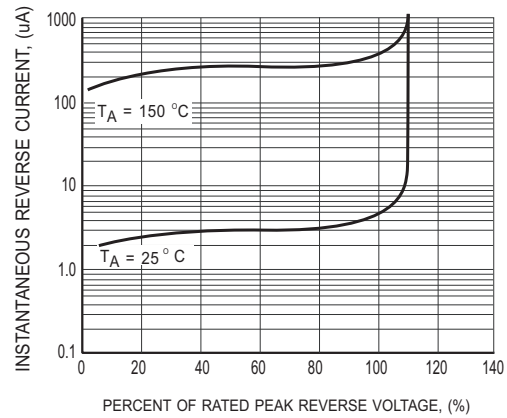


FIG.3 MAXIMUM REVERSE CHARACTERISTICS

## RATING AND CHARACTERISTICS CURVES ( HFM101 THRU HFM108 )

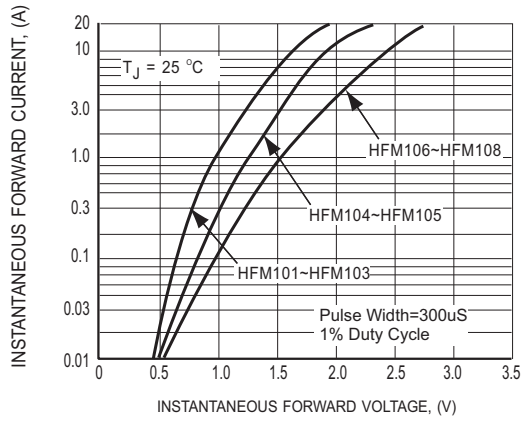


FIG.4 TYPICAL INSTANTANEOUS FORWARD CHARACTERISTICS

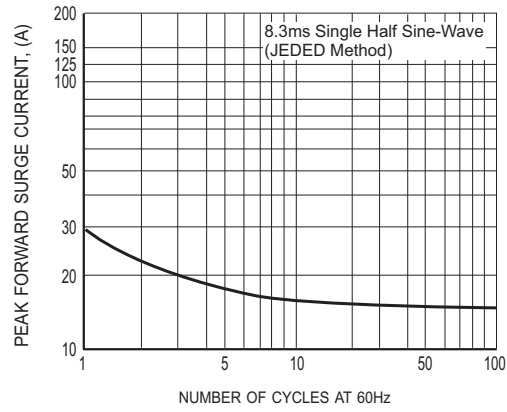


FIG.5 MAXIMUM NON-REPETITIVE FORWARD SURGE CURRENT

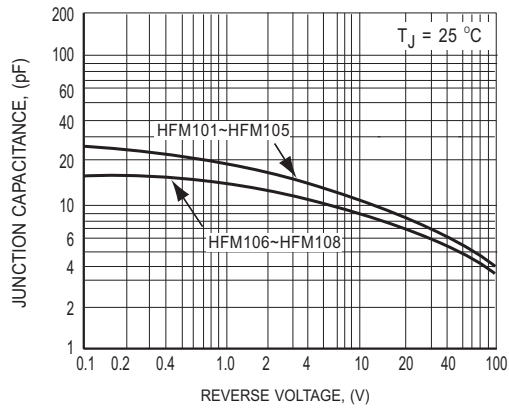
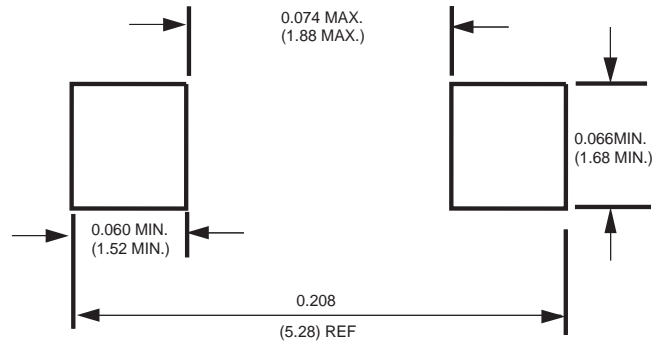


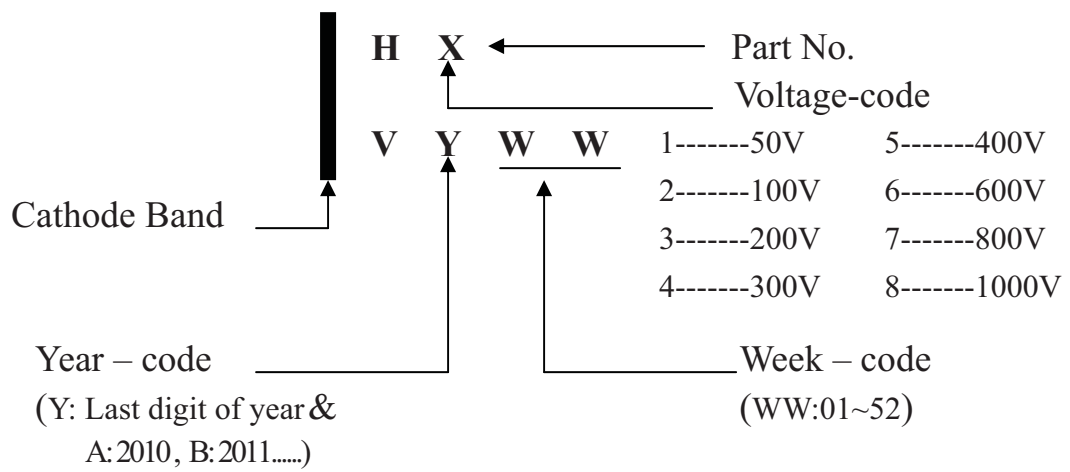
FIG.6 TYPICAL JUNCTION CAPACITANCE

## Mounting Pad Layout



Dimensions in inches and (millimeters)

## Marking Description



## PACKAGING OF DIODE AND BRIDGE RECTIFIERS

### REEL PACK

PACKAGE	PACKING CODE	EA PER REEL	EA PER INNER BOX	COMPONENT SPACE (mm)	TAPE SPACE (mm)	REEL DIA (mm)	CARTON SIZE (mm)	EA PER CARTON	GROSS WEIGHT(Kg)
SMA	-T	1,500	6,000	---	---	178	390*205*310	48,000	8.40
SMA	-W	5,000	10,000	---	---	330	360*355*360	80,000	14.20

## DISCLAIMER NOTICE

Rectron Inc reserves the right to make changes without notice to any product specification herein, to make corrections, modifications, enhancements or other changes. Rectron Inc or anyone on its behalf assumes no responsibility or liability for any errors or inaccuracies. Data sheet specifications and its information contained are intended to provide a product description only. "Typical" parameters which may be included on RECTRON data sheets and/ or specifications can and do vary in different applications and actual performance may vary over time. Rectron Inc does not assume any liability arising out of the application or use of any product or circuit.

Rectron products are not designed, intended or authorized for use in medical, life-saving implant or other applications intended for life-sustaining or other related applications where a failure or malfunction of component or circuitry may directly or indirectly cause injury or threaten a life without expressed written approval of Rectron Inc. Customers using or selling Rectron components for use in such applications do so at their own risk and shall agree to fully indemnify Rectron Inc and its subsidiaries harmless against all claims, damages and expenditures.