



YENYO

# HFR15L06F

Glass Passivated Hyperfast Recovery Rectifier

## Features

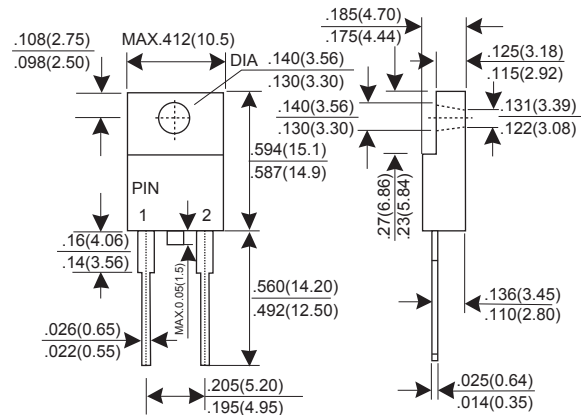
- ★ Fast switching for high efficiency
- ★ Low noise
- ★ Low reverse leakage current
- ★ High voltage super FRD
- ★ PFC application

## Mechanical Data

- ★ Case: Molded plastic ITO-220AC
- ★ Epoxy: UL 94V-0 rate flame retardant ,
- ★ Terminals: Solderable per MIL-STD-202 method 208
- ★ Mounting position: Any
- ★ Weight: 1.73 grams

**Voltage Range 600 V  
Current 15.0 Ampere**

### ITO-220AC



Dimensions in inches and (millimeters)

## MAXIMUM RATINGS AND ELECTRICAL CHARACTERISTICS

Rating at 25°C ambient temperature unless otherwise specified.  
Single phase, half wave, 60Hz, resistive or inductive load.  
For capacitive load, derate current by 20%.

CHARACTERISTIC	SYMBOL	HFR15L06F			UNIT
		Min.	Typ.	Max.	
Recurrent Peak Reverse Voltage	VRRM	-	-	600	V
RMS Voltage	VRMS	-	-	420	V
DC Blocking Voltage	VDC	-	-	600	V
Average Forward Rectified Current Tc=100°C	IF(AV)	-	-	15.0	A
Peak Forward Surge Current, 8.3ms single Half sine-wave superimposed on rated load (JEDEC method)	IFSM	-	-	200	A
Instantaneous Forward Voltage @15A(25°C)	VF	-	-	1.5	V
DC Reverse Current @TJ=25°C	IR	-	-	10	uA
At Rated DC Blocking Voltage @TJ=150°C	IR	-	-	500	uA
Maximum Reverse Recovery Time (Note 1)	Trr	-	-	50	nS
Typical junction Capacitance (Note 2)	CJ	-	60	-	pF
Typical Thermal Resistance (Note 3)	RθJC	-	-	1.5	°CW
Operating Junction and Storage Temperature Range	TJ, TSTG	-65	-	175	°C

NOTES : (1) Reverse recovery test conditions IF = 0.5A, IR = 1.0A, Irr = 0.25A.  
(2) Junction Capacitance test conditions : VR = 10V, IF = 0A.  
(3) Thermal Resistance junction to case.

# RATINGS AND CHARACTERISTIC CURVES HFR15L06F

FIG.1 - FORWARD CURRENT DERATING CURVE

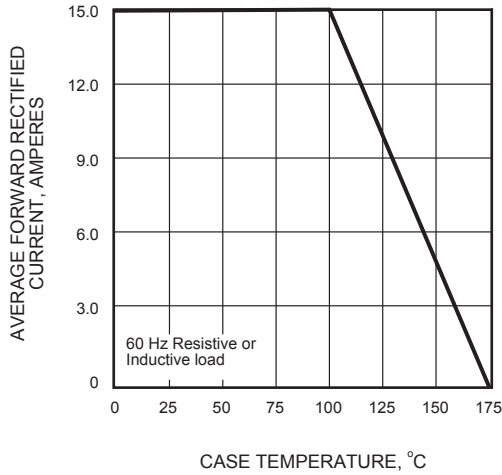


FIG.2 - MAXIMUM NON-REPETITIVE PEAK FORWARD SURGE CURRENT

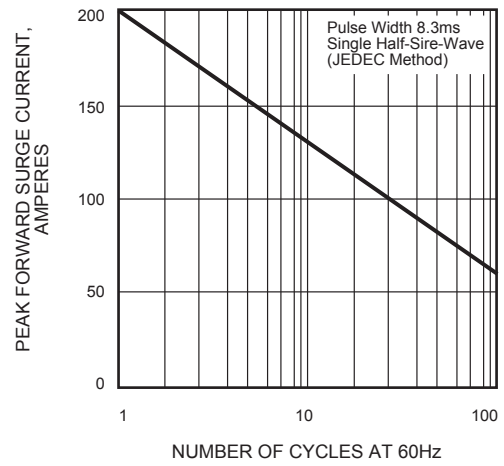


FIG.3 - TYPICAL INSTANTANEOUS FORWARD CHARACTERISTICS

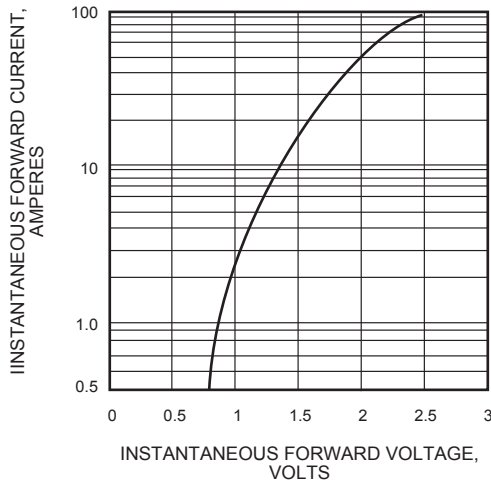


FIG.4 - TYPICAL REVERSE CHARACTERISTICS

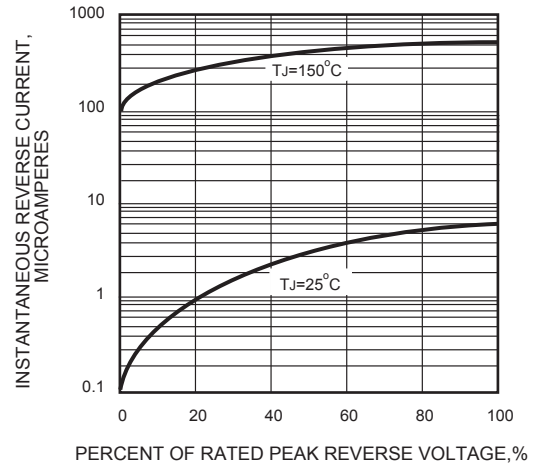


FIG.5 - TYPICAL JUNCTION CAPACITANCE

