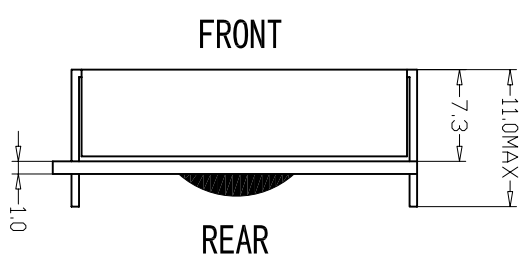
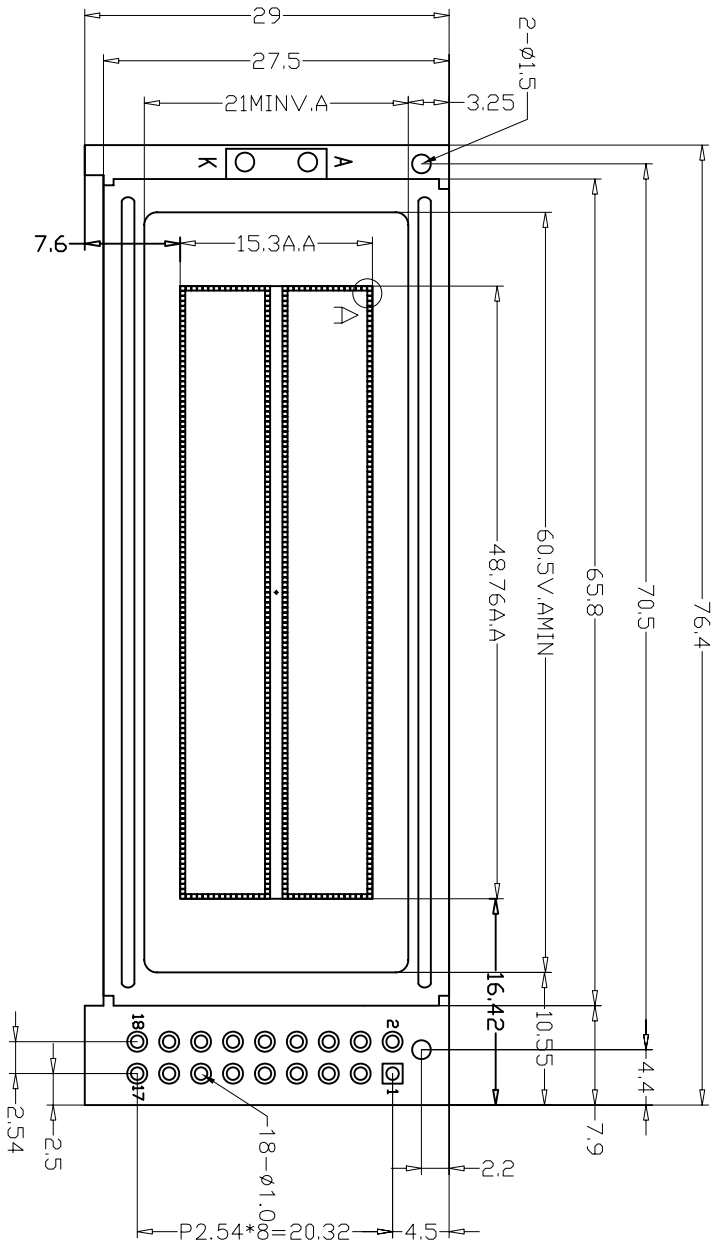
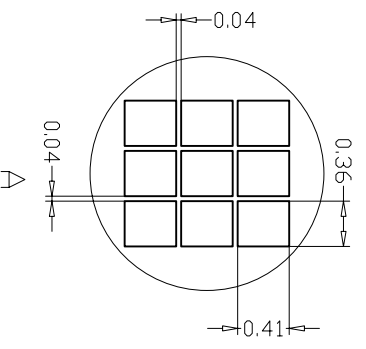


REV.	CHANGE CONTENT	BY	DATE



PIN	1	2	3	4	5	6	7	8	9	10	11	12	13	14	15	16	17	18
SYMBOL	VDD	VSS	V0	RST	E1	E2	R/W	A0	DB0	DB1	DB2	DB3	DB4	DB5	DB6	DB7	A	K



- NOTE:
1. DISPLAY TYPE: STN-Y/G-POSITIVE-TRANSFLECTIVE
 2. DRIVE METHOD: 1/32 DUTY, 1/5 BIAS, 4.7±0.2V Vop, 5V VDD
 3. VIEWING DIR.: 6:00
 4. OP. TEMP.: -20°C~70°C
 5. ST. TEMP.: -30°C~80°C
 6. BACKLIGHT: LED(Y/G), Vf 4.2±0.2V, If 90mA(Max.) 50(Min.)CD²/m, 570nm
 7. DRIVER IC: NU6450*2(IC1,IC2)

TOLERANCE		HTDISPLAY		DRAWING TITLE: LGM	
>0~6	±0.10	DESIGN	LZM	05.07.16	REV. : A
>6~80	±0.20	CHECKED			SCALE : -
>80~240	±0.30	APPROVED			UNIT : MM
>240~400	±0.50				SHEET : 1/1
// L ⊙ ±0.10					

HTDISPLAY CO., LTD.

DRAWING No.: HGI23210C-YF62L-VA