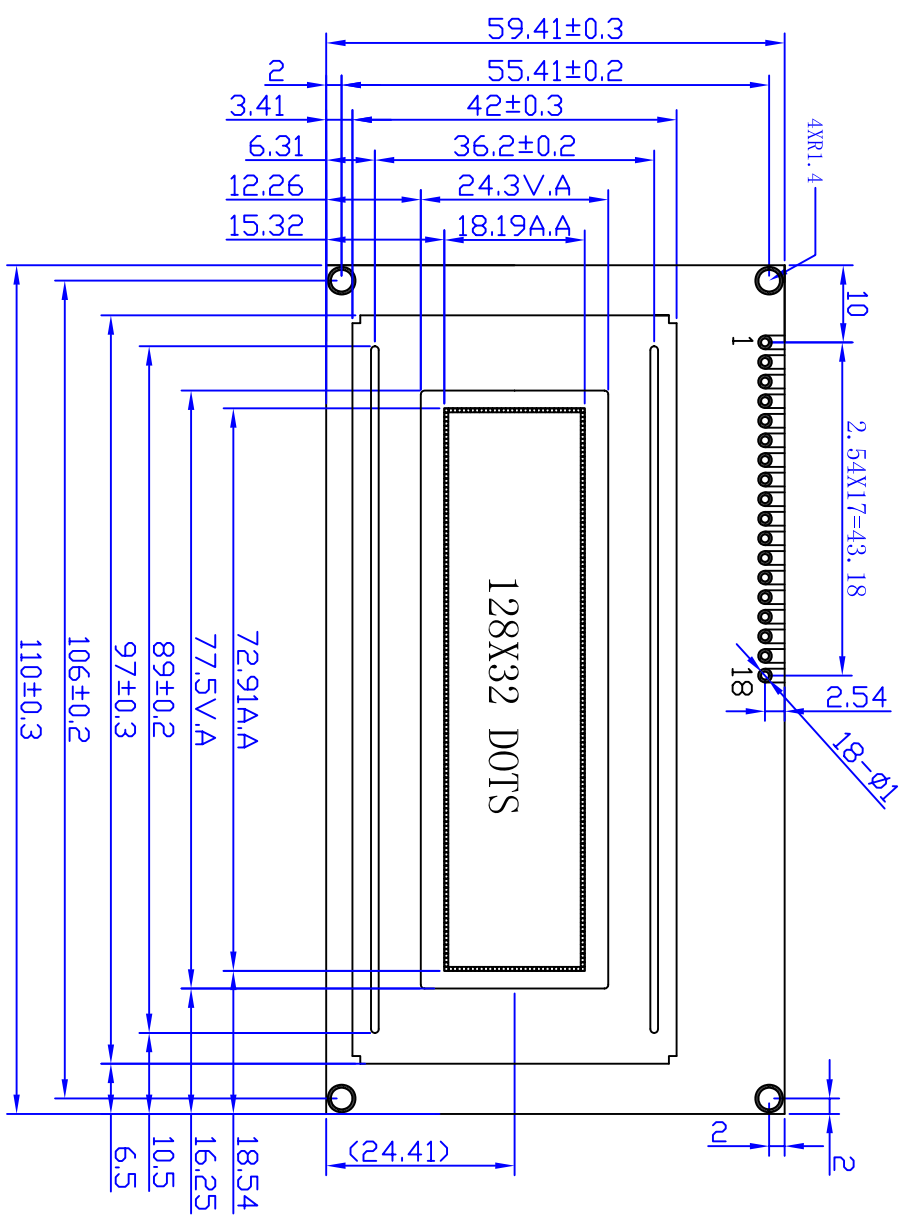
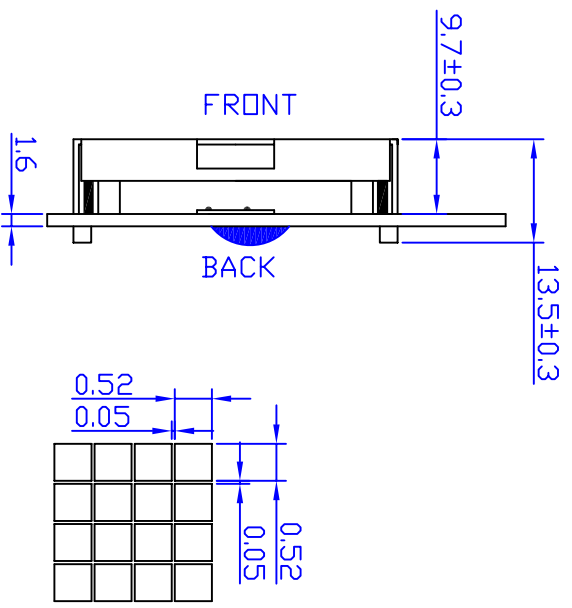


REV.	CHANGE CONTENT	BY	DATE



Pins Description

Pin No.	Symbol	Description
1	A	LED+(5.0V)
2	K	LED-(0V)
3	VO	LCD Operation Voltage
4	VDD	Power Supply Pin :+5.0V
5	VSS	Ground(0V)
6	E	Enable signal
7	C/D	L:Dotq; H:Instruction
8	R/W	Write and read signal
9	CS	Chip select signal, H:left, L:right
10	/RST	Reset: L: Enable; H: Disable
11-18	D0-D7	Data Bus

NOTE:

1. DISPLAY TYPE: STN-NEGATIVE-TRANSMISSIVE-BLUE
2. VIEWING DIR.: 6:00
3. DRIVE METHOD: 1/32DUTY, 1/4BIAS, Vop=5.0V, VDD=5.0V
4. OP. TEMP.: -20°C~70°C
5. ST. TEMP.: -30°C~80°C
6. CONTROLLER: S6B0108,S6B0107
- 7.BACKLIGHT:LED COLDER-WHITE,Vf=5.0±0.2V,If=45mA,>200CD/M²

TOLERANCE	>0~6 ±0.10		DESIGN	ZOUYS	06.04.06	STANDARD	REV. : A	SCALE : -
	>6~80 ±0.20		CHECKED			TECHNOLOGY	PROJECTIOn:	UNIT : mm
	>80~240 ±0.30	APPROVED			QA			SHEET : 1/1
	>240~400 ±0.50							
	/// L @ ±0.10							

DRAWING No. : HG1283204C-b162L-VA
DRAWING TITLE: LCM DRAWING

