

120V N-Ch Power MOSFET

Feature

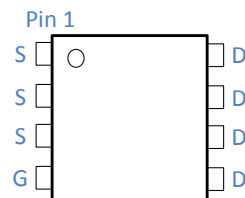
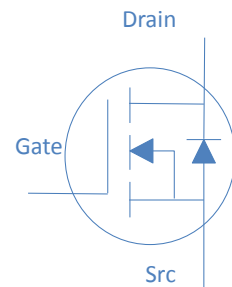
- ◇ High Speed Power Switching
- ◇ Enhanced Body diode dv/dt capability
- ◇ Enhanced Avalanche Ruggedness
- ◇ 100% UIS Tested, 100% Rg Tested
- ◇ Lead Free, Halogen Free

| | | |
|-------------------------------|------|----|
| V_{DS} | 120 | V |
| $R_{DS(on),typ}$ $V_{GS}=10V$ | 6 | mΩ |
| I_D (Silicon Limited) | 94.7 | A |
| I_D (Package Limited) | 60 | A |

Application

- ◇ Synchronous Rectification in SMPS
- ◇ Hard Switching and High Speed Circuit
- ◇ DC/DC in Telecoms and Industrial

DFN5x6



| Part Number | Package | Marking |
|-------------|---------|-----------|
| HGN070N12S | DFN5*6 | GN070N12S |

Absolute Maximum Ratings at $T_j=25^\circ\text{C}$ (unless otherwise specified)

| Parameter | Symbol | Conditions | Value | Unit |
|--|----------------|--|------------------------|------------------|
| Continuous Drain Current (Silicon Limited) | I_D | $T_C=25^\circ\text{C}$ | 95 | A |
| | | $T_C=100^\circ\text{C}$ | 60 | |
| | | Continuous Drain Current (Package Limited) | $T_C=25^\circ\text{C}$ | |
| Drain to Source Voltage | V_{DS} | - | 120 | V |
| Gate to Source Voltage | V_{GS} | - | ± 20 | V |
| Pulsed Drain Current | I_{DM} | - | 320 | A |
| Avalanche Energy, Single Pulse | E_{AS} | $L=0.4\text{mH}, T_C=25^\circ\text{C}$ | 500 | mJ |
| Power Dissipation | P_D | $T_C=25^\circ\text{C}$ | 114 | W |
| Operating and Storage Temperature | T_J, T_{stg} | - | -55 to 150 | $^\circ\text{C}$ |

Absolute Maximum Ratings

| Parameter | Symbol | Max | Unit |
|-------------------------------------|-----------------|-----|--------------------|
| Thermal Resistance Junction-Ambient | $R_{\theta JA}$ | 55 | $^\circ\text{C/W}$ |
| Thermal Resistance Junction-Case | $R_{\theta JC}$ | 1.1 | $^\circ\text{C/W}$ |

Electrical Characteristics at $T_J=25^{\circ}\text{C}$ (unless otherwise specified)
Static Characteristics

| Parameter | Symbol | Conditions | Value | | | Unit |
|-----------------------------------|---------------|---|-------|-----|-----------|-----------|
| | | | min | typ | max | |
| Drain to Source Breakdown Voltage | $V_{(BR)DSS}$ | $V_{GS}=0V, I_D=250\mu A$ | 120 | - | - | V |
| Gate Threshold Voltage | $V_{GS(th)}$ | $V_{GS}=V_{DS}, I_D=250\mu A$ | 2.0 | 3 | 4.0 | |
| Zero Gate Voltage Drain Current | I_{DSS} | $V_{GS}=0V, V_{DS}=120V, T_J=25^{\circ}\text{C}$ | - | - | 1 | μA |
| | | $V_{GS}=0V, V_{DS}=120V, T_J=100^{\circ}\text{C}$ | - | - | 100 | |
| Gate to Source Leakage Current | I_{GSS} | $V_{GS}=\pm 20V, V_{DS}=0V$ | - | - | ± 100 | nA |
| Drain to Source on Resistance | $R_{DS(on)}$ | $V_{GS}=10V, I_D=20A$ | - | 6 | 7 | $m\Omega$ |
| Transconductance | g_{fs} | $V_{DS}=5V, I_D=20A$ | - | 80 | - | S |
| Gate Resistance | R_G | $V_{GS}=0V, V_{DS}$ Open, $f=1\text{MHz}$ | - | 2.5 | - | Ω |

Dynamic Characteristics

| | | | | | | |
|-------------------------------|--------------|--|---|------|---|----|
| Input Capacitance | C_{iss} | $V_{GS}=0V, V_{DS}=60V, f=1\text{MHz}$ | - | 3382 | - | pF |
| Output Capacitance | C_{oss} | | - | 438 | - | |
| Reverse Transfer Capacitance | C_{rss} | | - | 8 | - | |
| Total Gate Charge | $Q_g(10V)$ | $V_{DD}=60V, I_D=20A, V_{GS}=10V$ | - | 38 | - | nC |
| Gate to Source Charge | Q_{gs} | | - | 12 | - | |
| Gate to Drain (Miller) Charge | Q_{gd} | | - | 5 | - | |
| Turn on Delay Time | $t_{d(on)}$ | $V_{DD}=60V, I_D=20A, V_{GS}=10V, R_G=10\Omega,$ | - | 16 | - | ns |
| Rise time | t_r | | - | 9 | - | |
| Turn off Delay Time | $t_{d(off)}$ | | - | 27 | - | |
| Fall Time | t_f | | - | 12 | - | |

Reverse Diode Characteristics

| | | | | | | |
|-------------------------|----------|--|---|-----|-----|----|
| Diode Forward Voltage | V_{SD} | $V_{GS}=0V, I_F=20A$ | - | 0.9 | 1.2 | V |
| Reverse Recovery Time | t_{rr} | $V_R=60V, I_F=20A, di_F/dt=500A/\mu s$ | - | 50 | - | ns |
| Reverse Recovery Charge | Q_{rr} | | - | 300 | - | nC |

Fig 1. Typical Output Characteristics

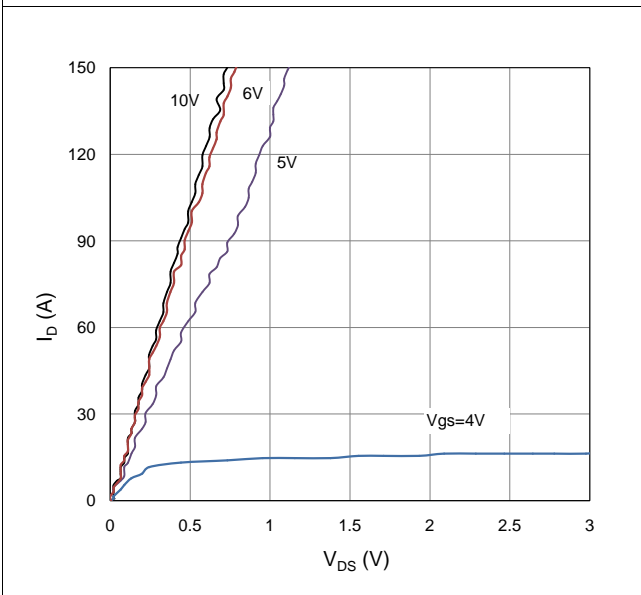


Figure 2. On-Resistance vs. Gate-Source Voltage

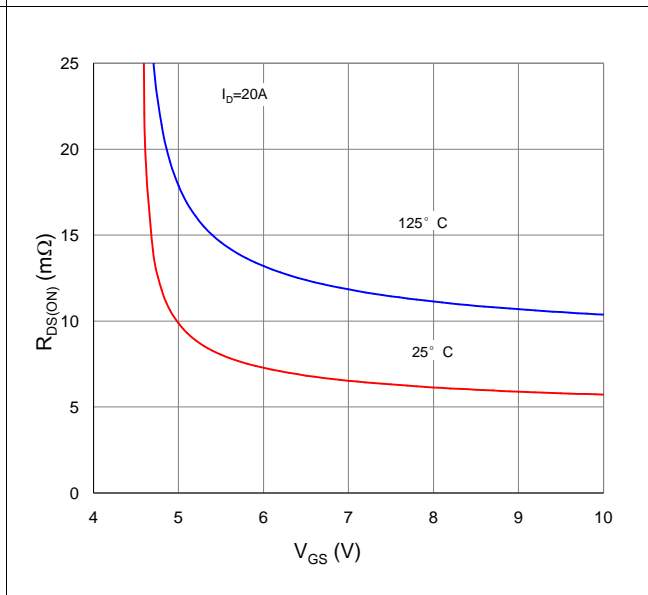


Figure 3. On-Resistance vs. Drain Current and Gate Voltage

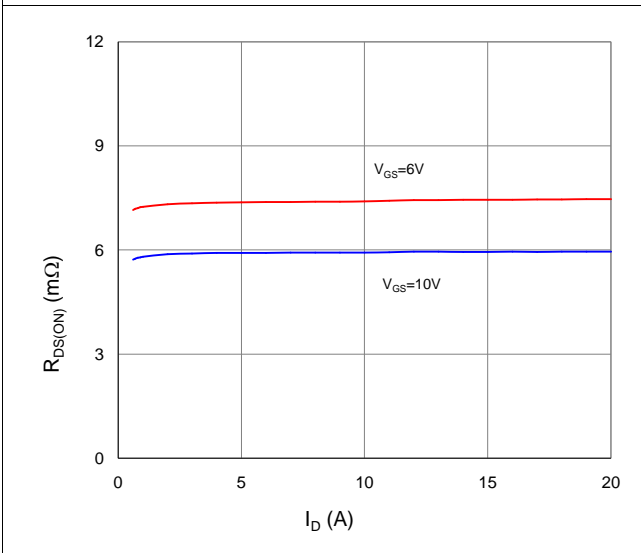


Figure 4. Normalized On-Resistance vs. Junction Temperature

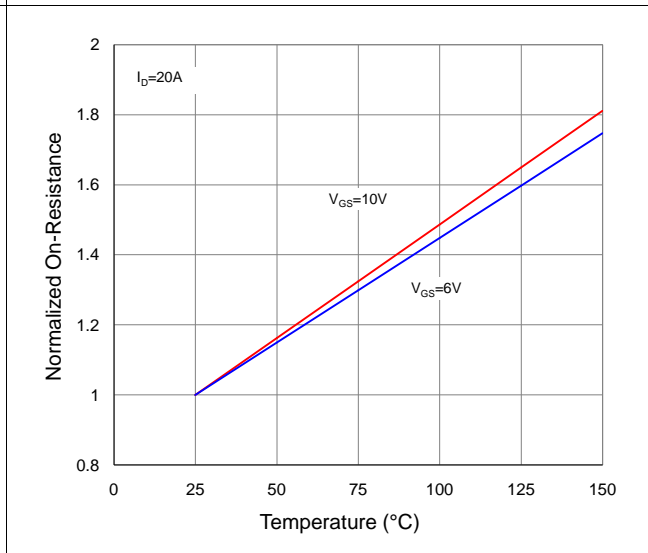


Figure 5. Typical Transfer Characteristics

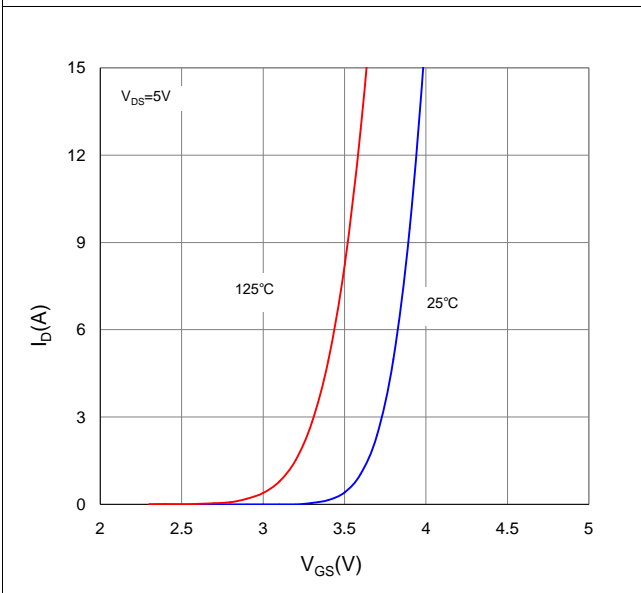


Figure 6. Typical Source-Drain Diode Forward Voltage

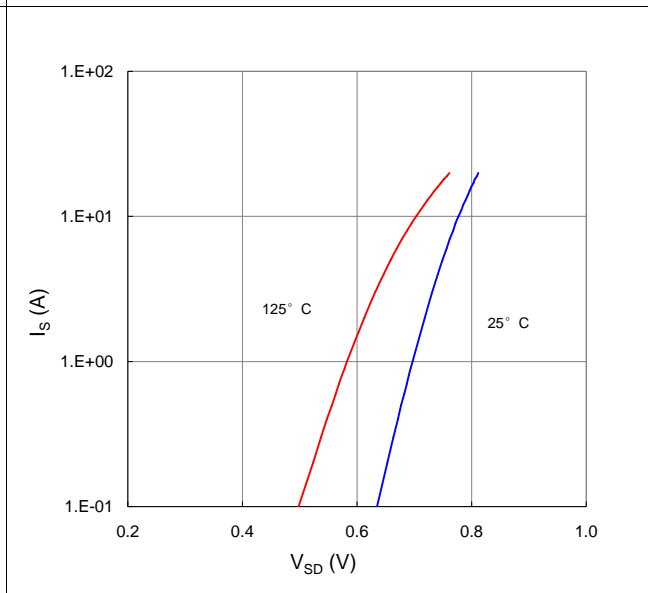


Figure 7. Typical Gate-Charge vs. Gate-to-Source Voltage

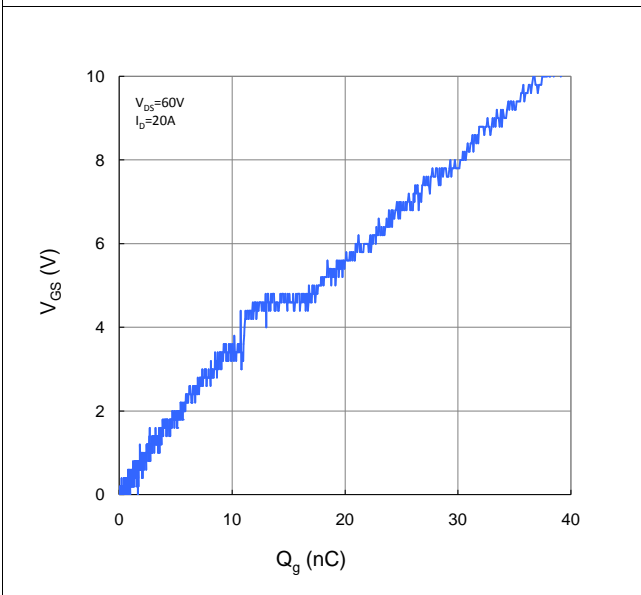


Figure 8. Typical Capacitance vs. Drain-to-Source Voltage

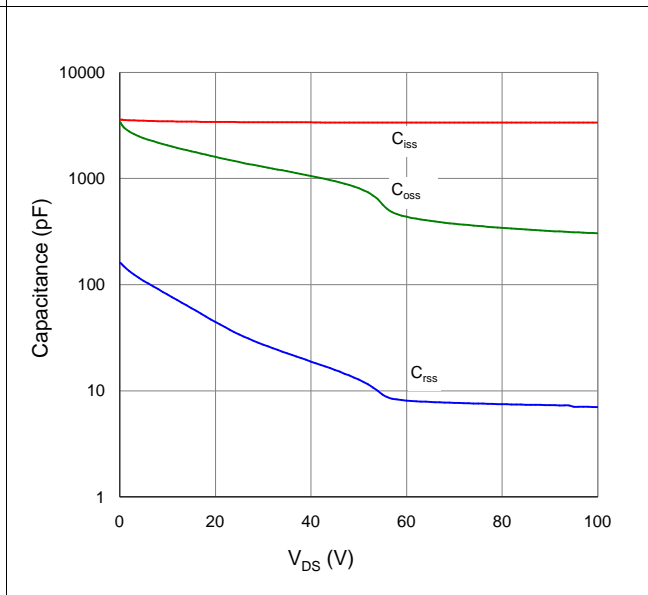


Figure 9. Maximum Safe Operating Area

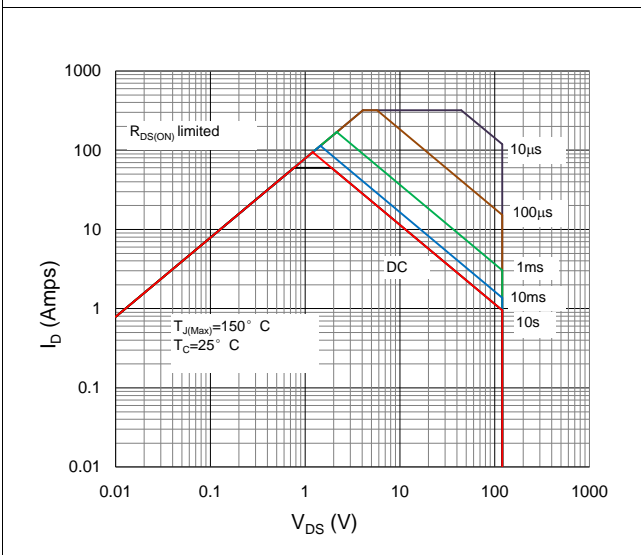


Figure 10. Maximum Drain Current vs. Case Temperature

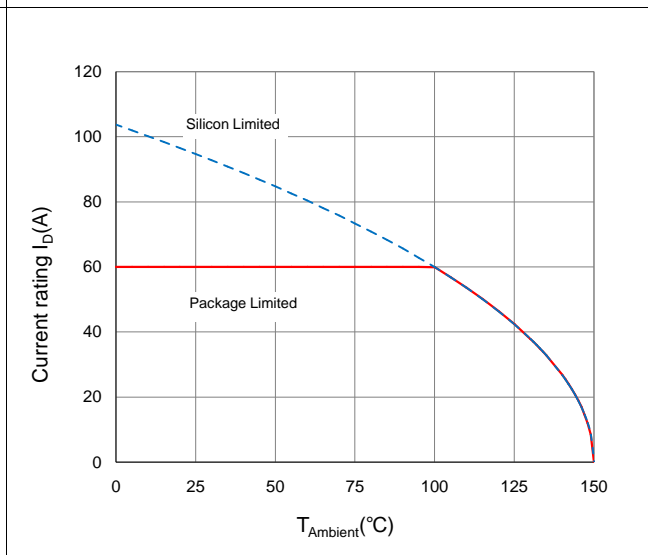
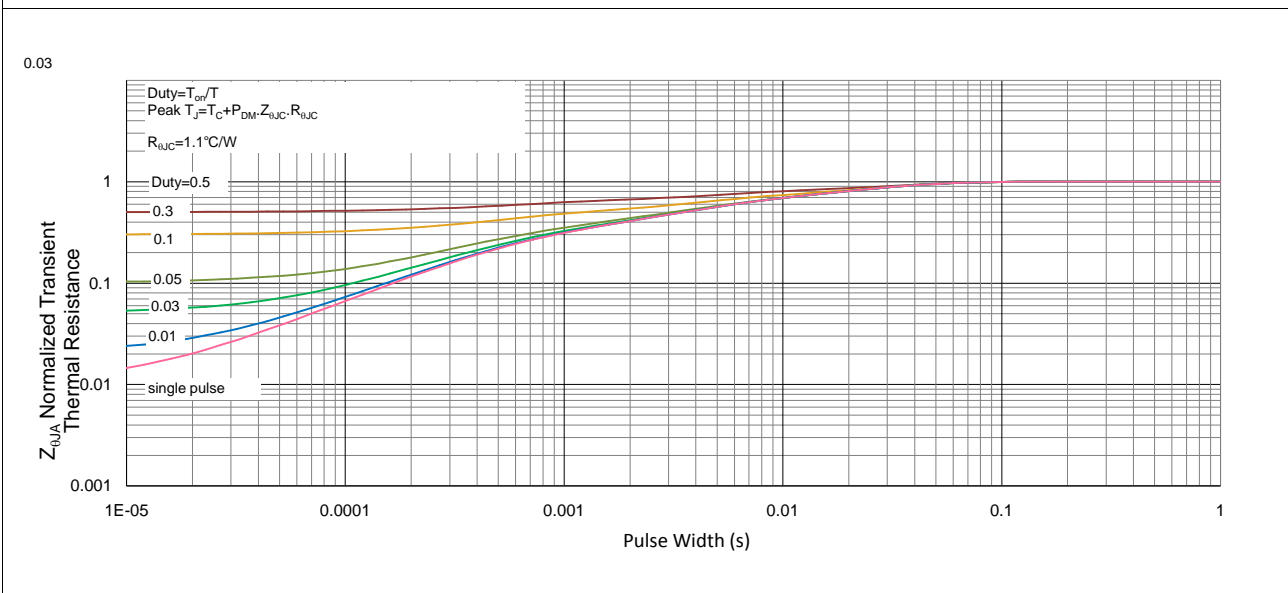
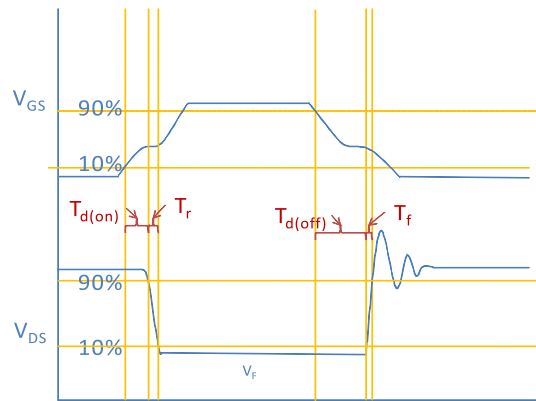
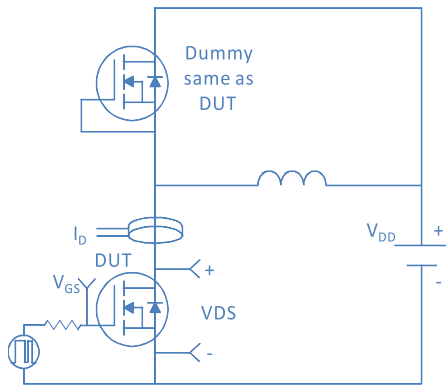


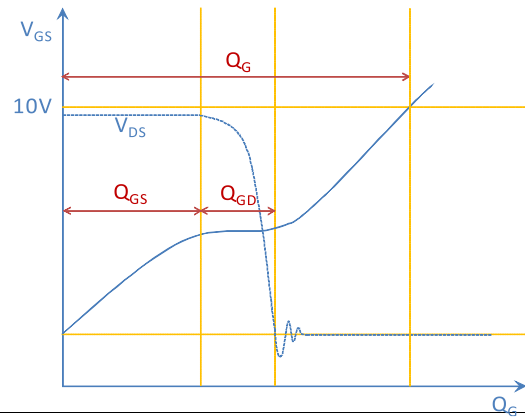
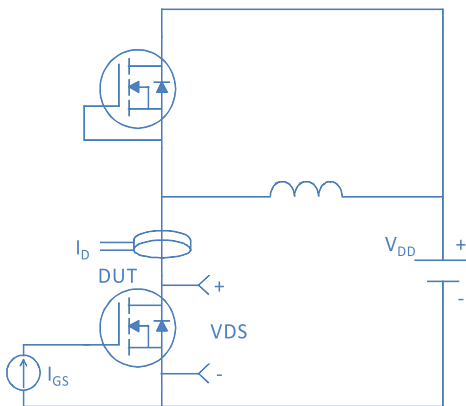
Figure 11. Normalized Maximum Transient Thermal Impedance, Junction-to-Ambient



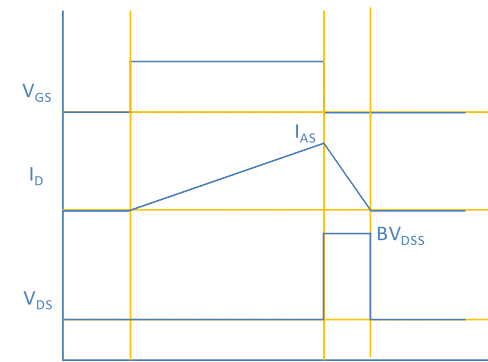
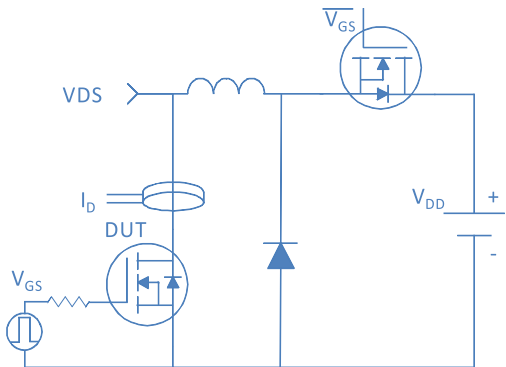
Inductive switching Test



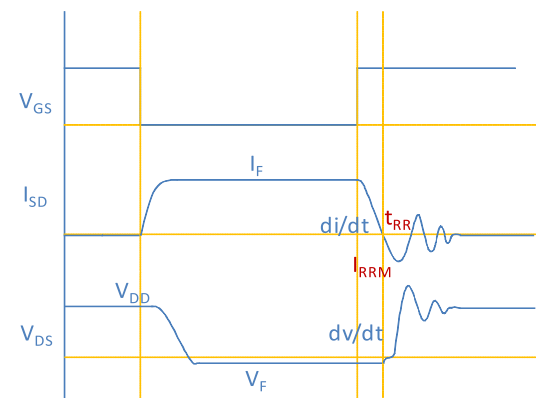
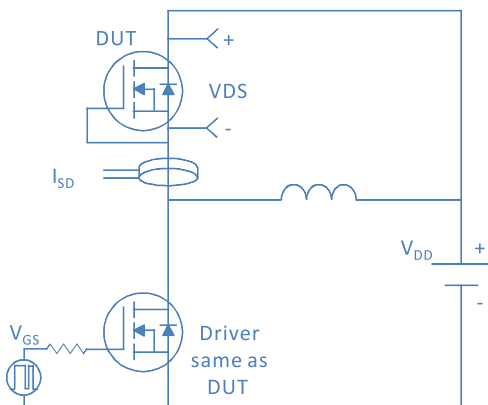
Gate Charge Test



Uclamped Inductive Switching (UIS) Test

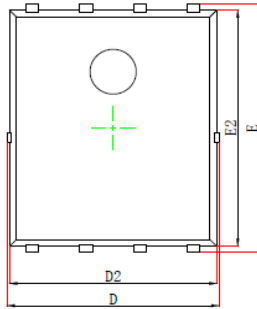


Diode Recovery Test

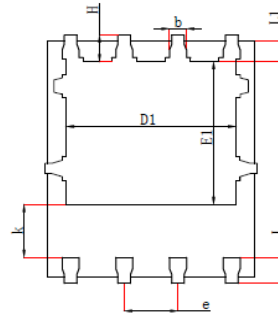


Package Outline

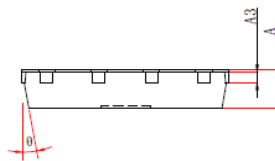
DFN5x6_P, 8 Leads



Top View
[顶视图]



Bottom View
[背视图]



Side View
[侧视图]

| Symbol | Dimensions In Millimeters | | Dimensions In Inches | |
|--------|---------------------------|-------|----------------------|-------|
| | Min | Max | Min | Max |
| A | 0.900 | 1.100 | 0.035 | 0.043 |
| A3 | 0.254 REF | | 0.010 REF | |
| D | 4.680 | 5.120 | 0.184 | 0.202 |
| E | 5.900 | 6.126 | 0.232 | 0.241 |
| D1 | 3.610 | 4.110 | 0.142 | 0.162 |
| E1 | 3.380 | 3.780 | 0.133 | 0.149 |
| D2 | 4.800 | 5.000 | 0.189 | 0.197 |
| E2 | 5.674 | 5.826 | 0.223 | 0.229 |
| k | 1.100 | 1.390 | 0.043 | 0.055 |
| b | 0.330 | 0.510 | 0.013 | 0.020 |
| e | 1.270 TYP | | 1.270 TYP | |
| L | 0.510 | 0.711 | 0.020 | 0.028 |
| L1 | 0.424 | 0.576 | 0.017 | 0.023 |
| H | 0.410 | 0.726 | 0.016 | 0.029 |
| θ | 0° | 12° | 0° | 12° |