

120V N-Ch Power MOSFET

Feature

- ◇ High Speed Power Switching
- ◇ Enhanced Body diode dv/dt capability
- ◇ Enhanced Avalanche Ruggedness
- ◇ 100% UIS Tested, 100% Rg Tested
- ◇ Lead Free

Application

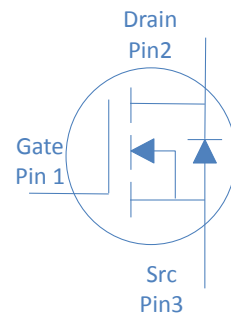
- ◇ Synchronous Rectification in SMPS
- ◇ Hard Switching and High Speed Circuit
- ◇ Power Tools
- ◇ UPS
- ◇ Motor Control

V_{DS}		120	V
$R_{DS(on),typ}$	TO-263	8.3	mΩ
$R_{DS(on),typ}$	TO-220	8.6	mΩ
I_D (Silicon Limited)		109	A

TO-263



TO-220



Part Number	Package	Marking
HGB100N12S	TO-263	GB100N12S
HGP100N12S	TO-220	GP100N12S

Absolute Maximum Ratings at $T_j=25^{\circ}\text{C}$ (unless otherwise specified)

Parameter	Symbol	Conditions	Value	Unit
Continuous Drain Current (Silicon Limited)	I_D	$T_C=25^{\circ}\text{C}$	109	A
		$T_C=100^{\circ}\text{C}$	77	
Drain to Source Voltage	V_{DS}	-	120	V
Gate to Source Voltage	V_{GS}	-	± 20	V
Pulsed Drain Current	I_{DM}	-	300	A
Avalanche Energy, Single Pulse	E_{AS}	$L=0.4\text{mH}, T_C=25^{\circ}\text{C}$	320	mJ
Power Dissipation	P_D	$T_C=25^{\circ}\text{C}$	214	W
Operating and Storage Temperature	T_J, T_{stg}	-	-55 to 175	$^{\circ}\text{C}$

Absolute Maximum Ratings

Parameter	Symbol	Max	Unit
Thermal Resistance Junction-Case	$R_{\theta JC}$	0.7	$^{\circ}\text{C/W}$
Thermal Resistance Junction-Ambient	$R_{\theta JA}$	50	$^{\circ}\text{C/W}$

Electrical Characteristics at T_j=25°C (unless otherwise specified)
Static Characteristics

Parameter	Symbol	Conditions	Value			Unit	
			min	typ	max		
Drain to Source Breakdown Voltage	V _{(BR)DSS}	V _{GS} =0V, I _D =250μA	120	-	-	V	
Gate Threshold Voltage	V _{GS(th)}	V _{GS} =V _{DS} , I _D =250μA	2	3	4		
Zero Gate Voltage Drain Current	I _{DSS}	V _{GS} =0V, V _{DS} =120V, T _j =25°C	-	-	1	μA	
		V _{GS} =0V, V _{DS} =120V, T _j =100°C	-	-	100		
Gate to Source Leakage Current	I _{GSS}	V _{GS} =±20V, V _{DS} =0V	-	-	±100	nA	
Drain to Source on Resistance	R _{DS(on)}	V _{GS} =10V, I _D =20A	TO-263	-	8.3	9.7	mΩ
			TO-220	-	8.6	10	
Transconductance	g _{fs}	V _{DS} =5V, I _D =20A	-	65	-	S	
Gate Resistance	R _G	V _{GS} =0V, V _{DS} Open, f=1MHz	-	3.5	-	Ω	

Dynamic Characteristics

Input Capacitance	C _{iss}	V _{GS} =0V, V _{DS} =60V, f=1MHz	-	4470	-	pF
Output Capacitance	C _{oss}		-	235	-	
Reverse Transfer Capacitance	C _{rss}		-	9.5	-	
Total Gate Charge	Q _g	V _{DD} =60V, I _D =20A, V _{GS} =10V	-	56	-	nC
Gate to Source Charge	Q _{gs}		-	18	-	
Gate to Drain (Miller) Charge	Q _{gd}		-	6	-	
Turn on Delay Time	t _{d(on)}	V _{DD} =60V, I _D =20A, V _{GS} =10V, R _G =10Ω,	-	16	-	ns
Rise time	t _r		-	21	-	
Turn off Delay Time	t _{d(off)}		-	38	-	
Fall Time	t _f		-	19	-	

Reverse Diode Characteristics

Diode Forward Voltage	V _{SD}	V _{GS} =0V, I _F =20A	-	0.9	1.2	V
Reverse Recovery Time	t _{rr}	V _R =60V, I _F =20A, dI _F /dt=500A/μs	-	70	-	ns
Reverse Recovery Charge	Q _{rr}		-	600	-	nC

Fig 1. Typical Output Characteristics

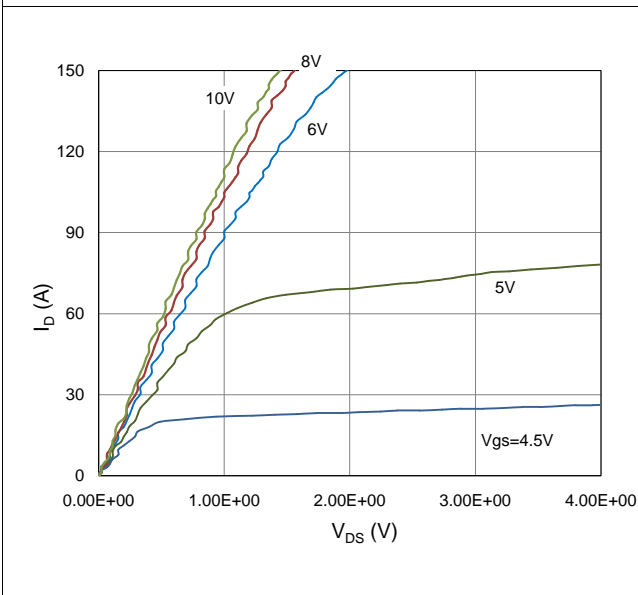


Figure 2. On-Resistance vs. Gate-Source Voltage

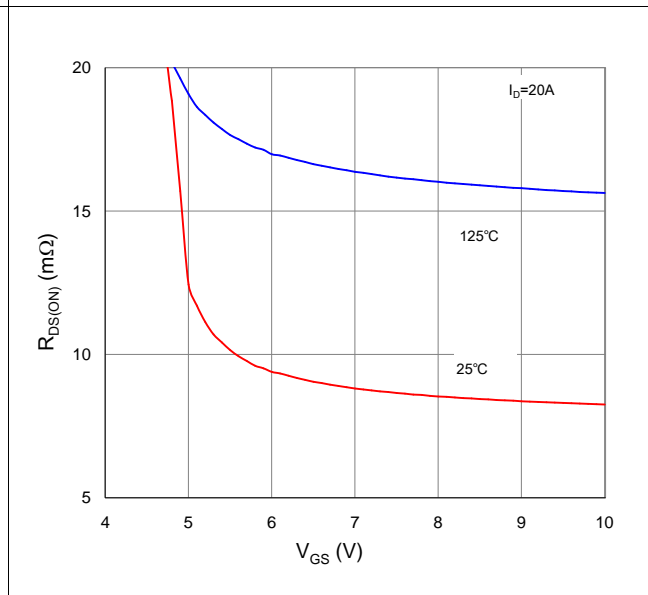


Figure 3. On-Resistance vs. Drain Current and Gate Voltage

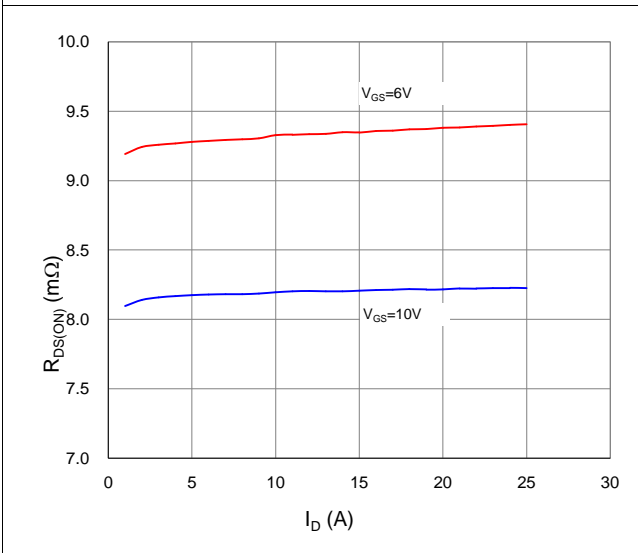


Figure 4. Normalized On-Resistance vs. Junction Temperature

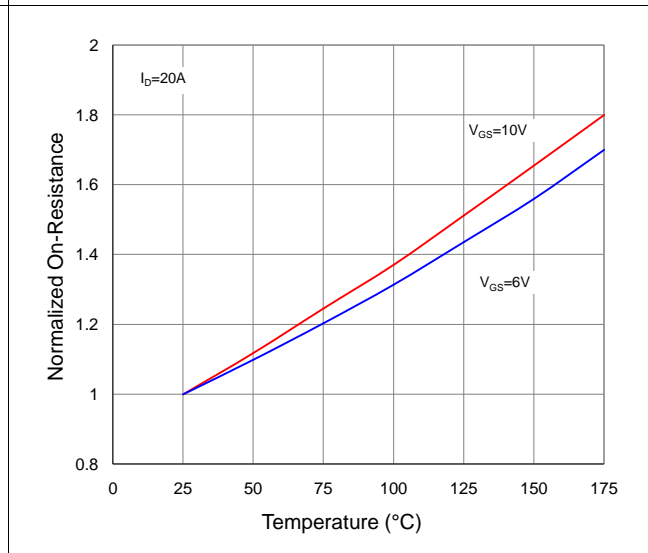


Figure 5. Typical Transfer Characteristics

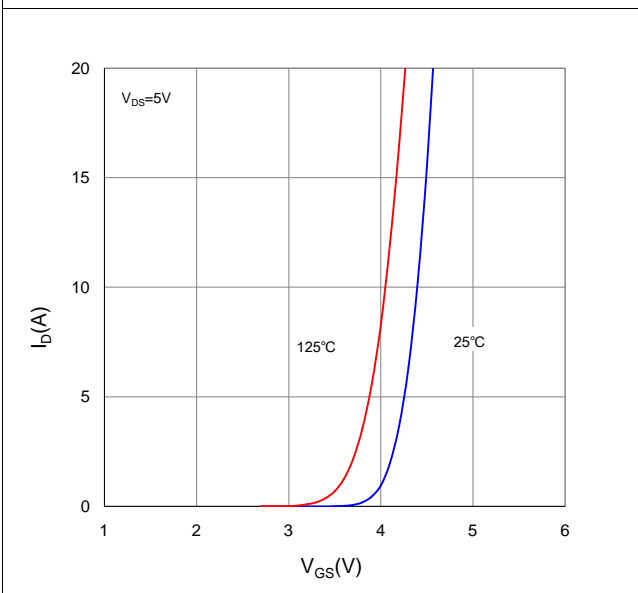


Figure 6. Typical Source-Drain Diode Forward Voltage

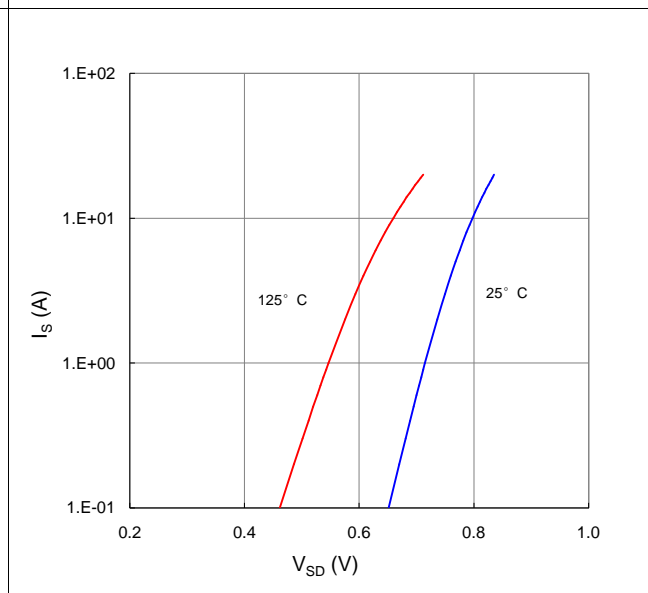


Figure 7. Typical Gate-Charge vs. Gate-to-Source Voltage

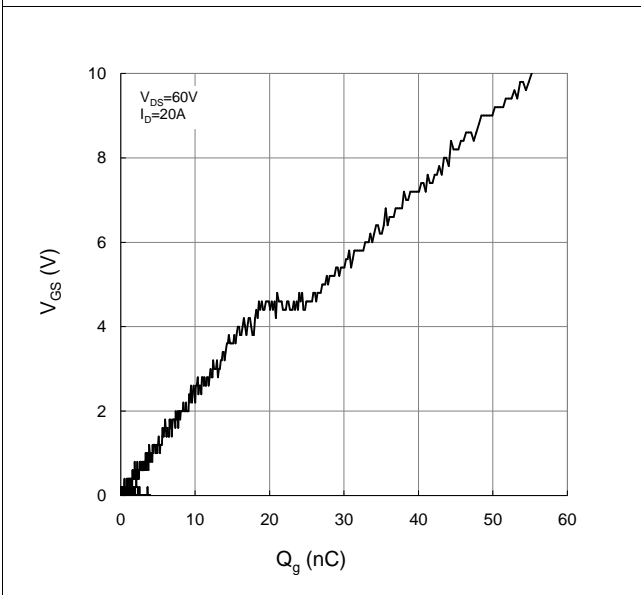


Figure 8. Typical Capacitance vs. Drain-to-Source Voltage

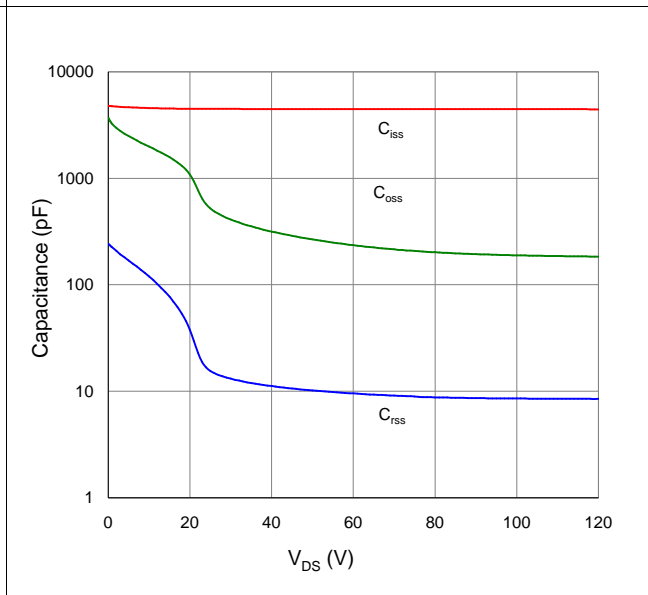


Figure 9. Maximum Safe Operating Area

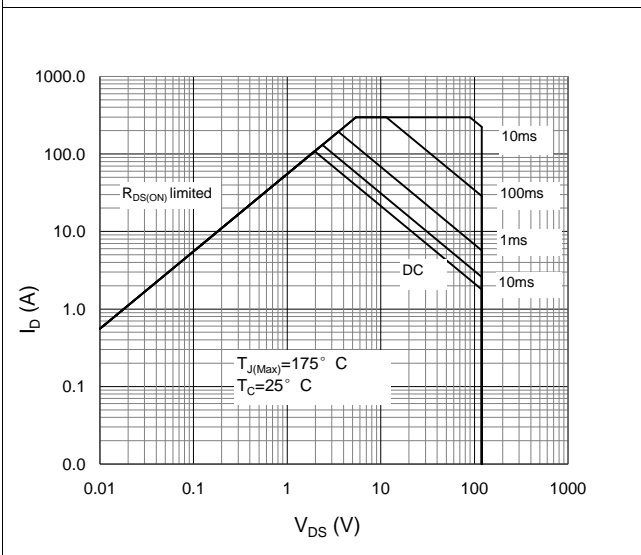


Figure 10. Maximum Drain Current vs. Case Temperature

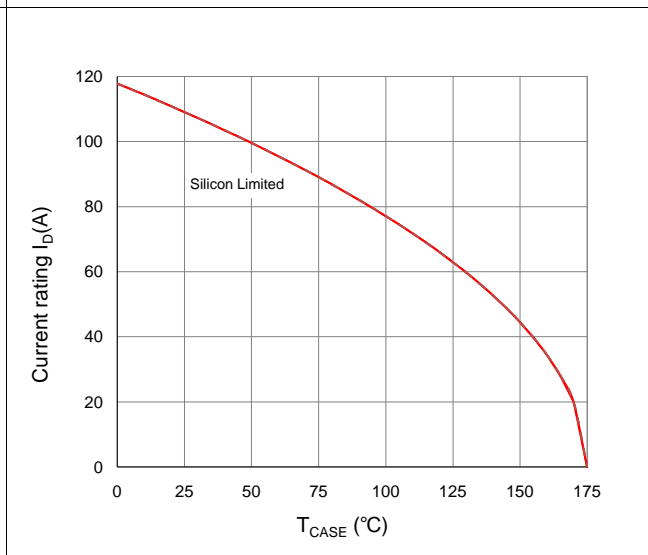
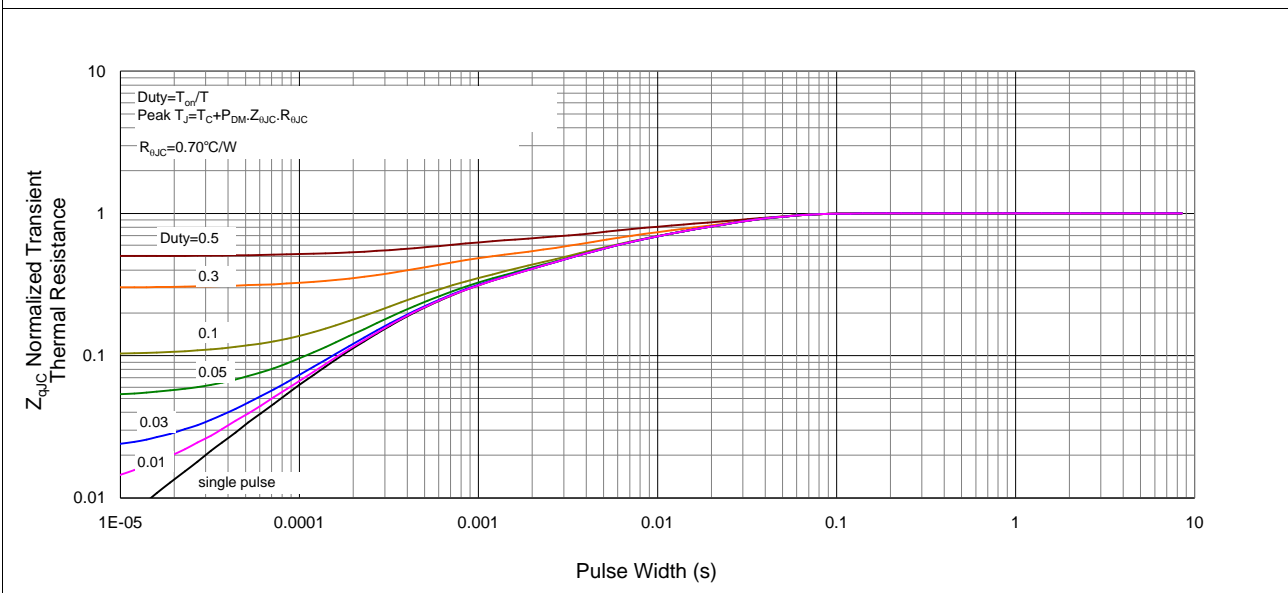
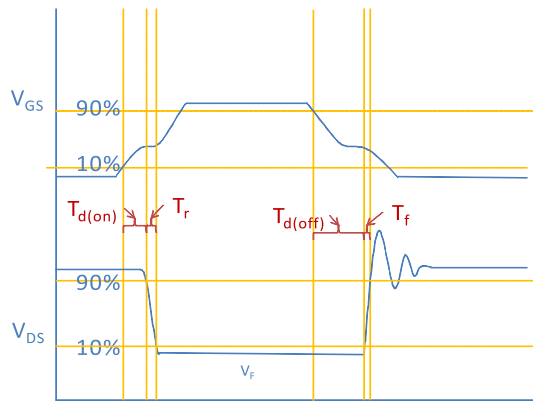


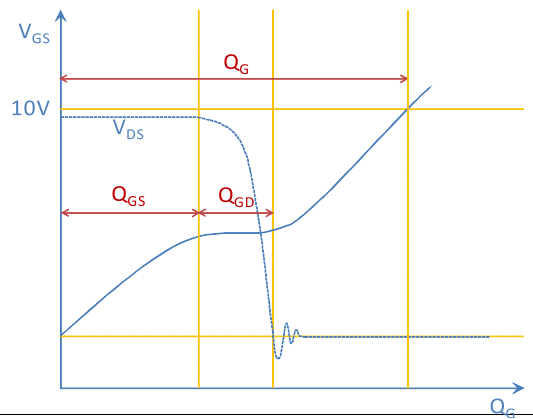
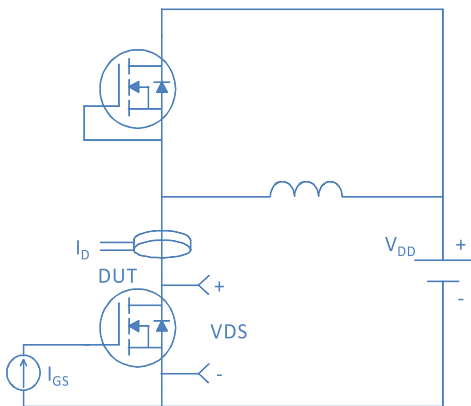
Figure 11. Normalized Maximum Transient Thermal Impedance, Junction-to-Case



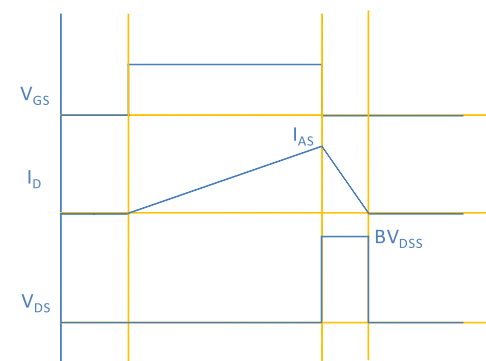
Inductive switching Test



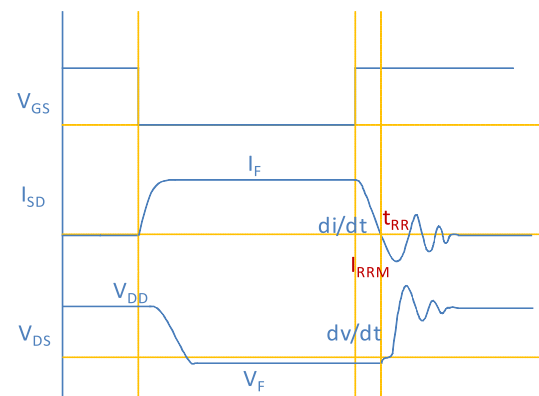
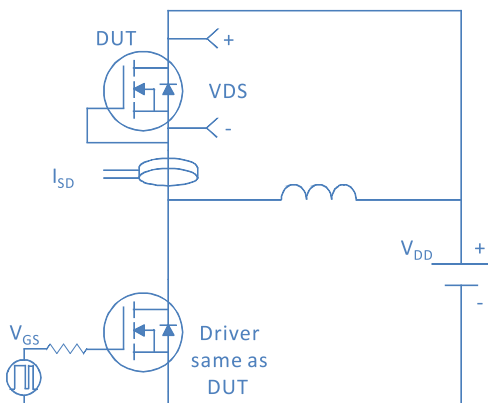
Gate Charge Test



Uclamped Inductive Switching (UIS) Test

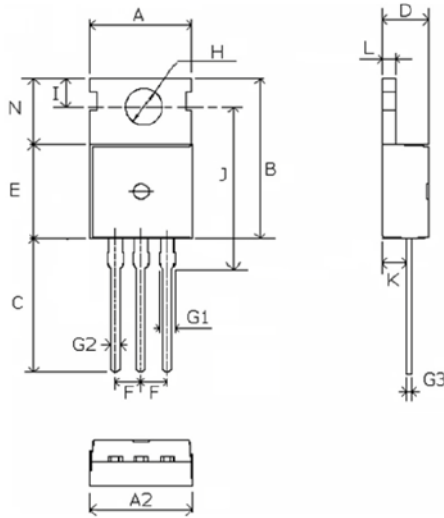


Diode Recovery Test



Package Outline

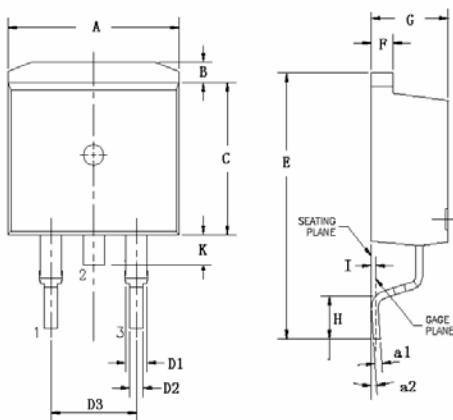
TO-220, 3 leads



Dimensions in mm unless otherwise specified

Symbol	Min	Nom	Max
A	9.66	9.97	10.28
A2	9.80	10.00	10.20
B	15.60	15.70	15.80
C	12.70	13.48	14.27
D	4.30	4.50	4.70
E	9.00	9.20	9.40
F		2.54	
G1	1.32	1.52	1.72
G2	0.70	0.82	0.95
G3	0.45	0.52	0.60
H	3.50	3.60	3.70
I	2.70	2.80	2.90
J	15.70	15.97	16.25
K	2.20	2.40	2.60
L	1.15	1.27	1.40
N	6.40	6.60	6.80

TO-263, 2 leads



Dimensions in mm unless otherwise specified

Symbol	Min	Nom	Max
A	9.66	9.97	10.28
B	1.02	1.17	1.32
C	8.59	9.00	9.40
D1	1.14	1.27	1.40
D2	0.70	0.83	0.95
D3		5.08	
E	15.09	15.24	15.39
F	1.15	1.28	1.40
G	4.30	4.50	4.70
H	2.29	2.54	2.79
I		0.25	
K	1.30	1.45	1.60
a1	0.45	0.55	0.65
a2(degree)	0°		8°