

FEATURE:

- Designed to meet IR requirement
- Environmental: At 235°C in 1 minute
- 350uH OCL With 8mA DC bias applied
- 1500 Vrms isolation
- Specifications: At 25°C

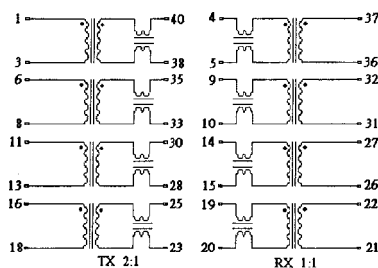
APPLICATION:

- 100 Mbps 155 Mbps transmission in support of
- AMD
- Level One and other chip manufacturers

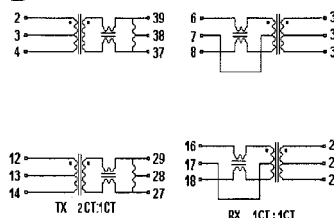
Part No.	OCL (uH) Min	LL (uH) Max	CWW (pF) Max	DCR (Ω) Max	SCHEMATICS
HK-001	350	0.4	20	0.70	A
HK-011	350	0.4	18	0.90	B
HE-012	350	0.5	20	0.70	C
HE-012A	350	0.5	20	0.70	D
HE-018	350	0.5	20	0.70	E
HE-021	350	0.4	20	0.70	F
HE-022	350	0.4	20	0.70	G
HE-028	1.0mH	0.5	35	0.70	H

Part No.	OCL (uH) Min	Insertion Loss (dB) Max 1~125 MHz	Return Loss (dB Min) MHz 1~100 MHz	Cross talk (dB Min) MHz 1~100 MHz	CMRR (dB Min) MHz 1~100 MHz	SCHEMATICS
HK-002	350	-0.5	-15	-40	-40	I
HK-002A	350	-0.5	-15	-40	-40	J
HK-003	350	-0.5	-15	-40	-40	K
HK-005	350	-0.5	-15	-40	-40	L
HK-005A	350	-0.5	-15	-40	-40	M
HK-006	350	-0.5	-15	-40	-40	N
HK-007	350	-0.5	-15	-40	-40	O
HK-008	350	-0.5	-15	-40	-40	P
HK-009	350	-0.5	-15	-40	-40	Q
HK-010	350	-0.5	-15	-40	-40	R
HK-013	350	-0.5	-15	-40	-40	S
HK-015	350	-0.5	-15	-40	-40	T
HK-016	350	-0.5	-15	-40	-40	U
HK-017	350	-0.5	-15	-40	-40	V
HK-019	350	-1.1	-15	-40	-40	W
HK-020	350	-0.5	-15	-40	-40	X
HK-025	350	-0.5	-15	-40	-40	Y
HK-023	350	-1.1	-15	-40	-40	Z
HK-026	350	-0.5	-15	-40	-40	A1
HK-026A	350	-0.5	-15	-40	-40	B1
HK-027	350	-0.5	-15	-40	-40	C1
HK-027A	350	-0.5	-15	-40	-40	D1
HK-029	350	-1.1	-15	-40	-40	E1

A

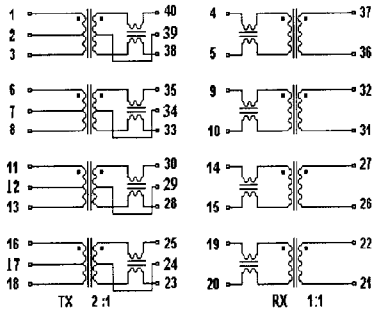


B

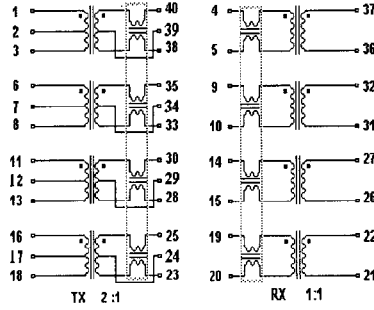


E Tronic USA • 1730 Gold Point Circle North • Hixson, TN 37343 USA
 1-888-829-5044 • Phone: 1-423-843-2623 • Fax: 1-423-842-1861 • E-Mail: info@etronicusa.com • InternetWebsite: www.etronicusa.com
 E Tronic Singapore • Regional Sales Office • 152 Beach Road #13-06 • The Gateway East • Singapore 189721
 Phone: 65 291 5929 • Fax: 65 291 4995 • E-Mail: sales@etronic-sgp.com

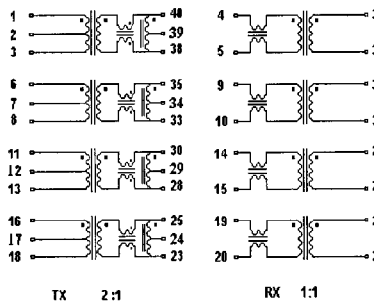
C



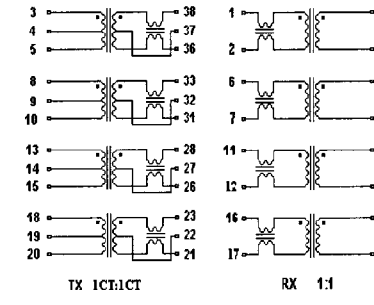
D



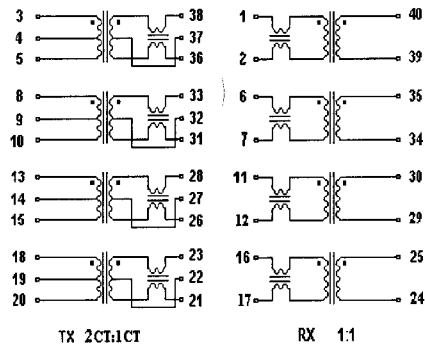
E



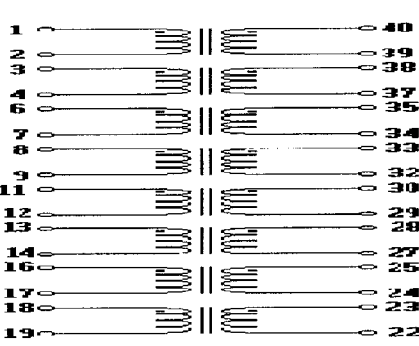
F



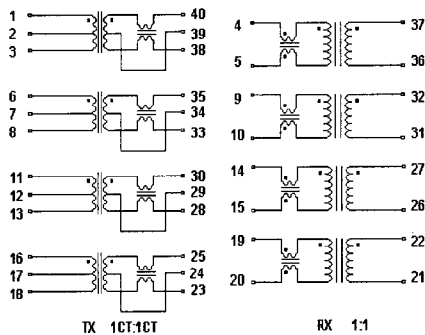
G



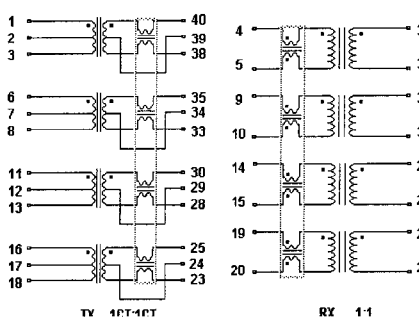
H



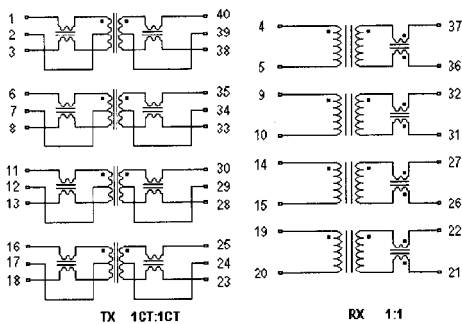
I



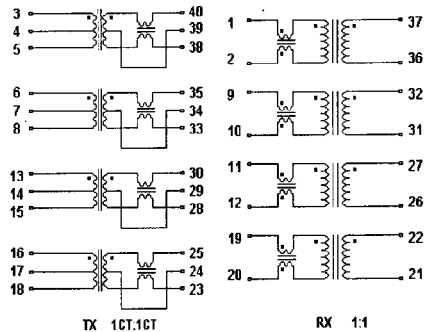
J



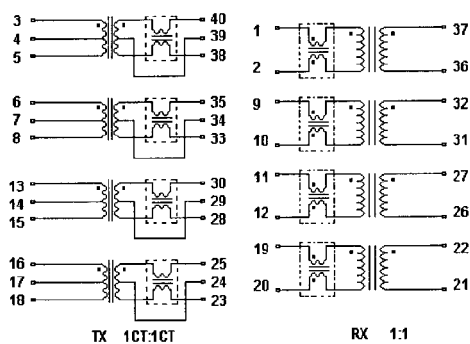
K



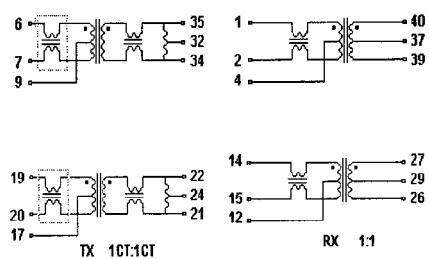
L



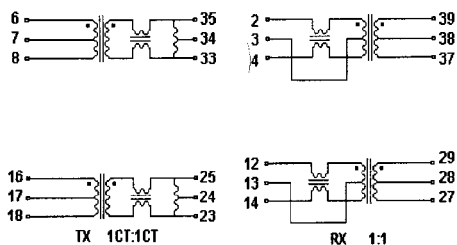
M



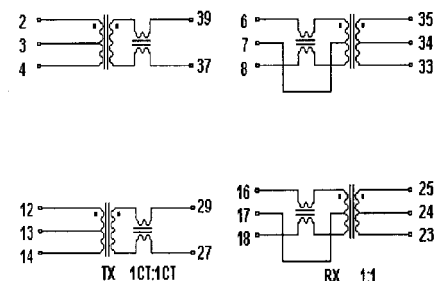
N



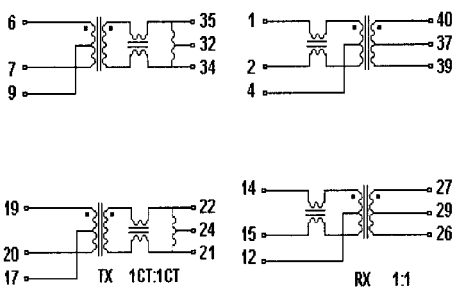
O



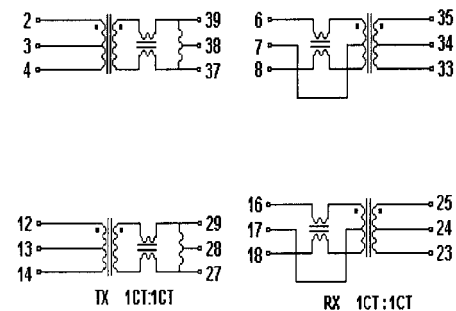
P



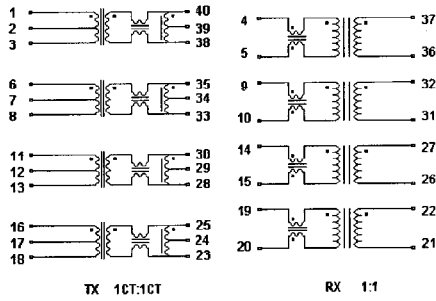
Q



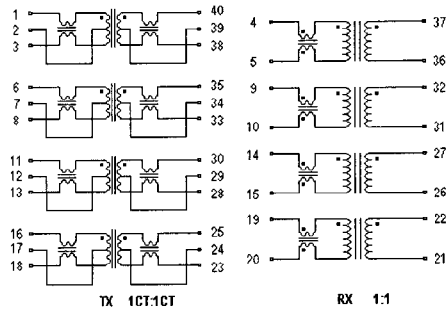
R



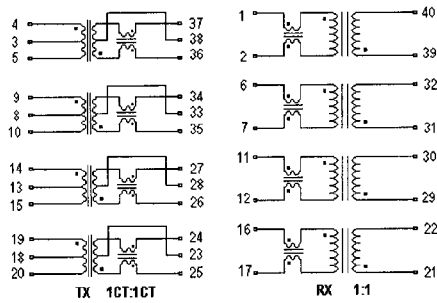
S



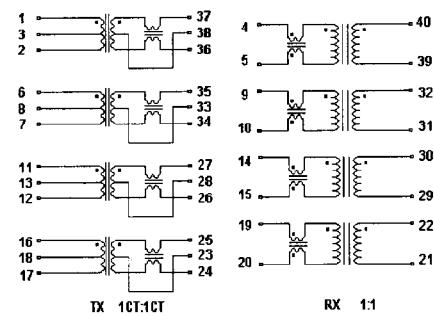
T



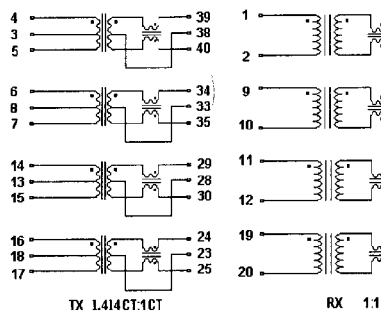
U



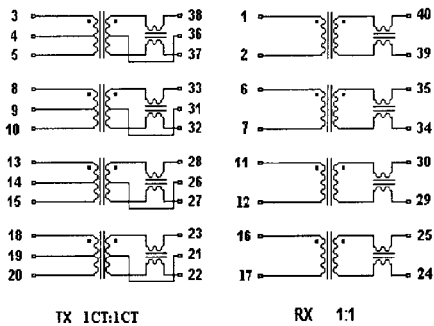
V



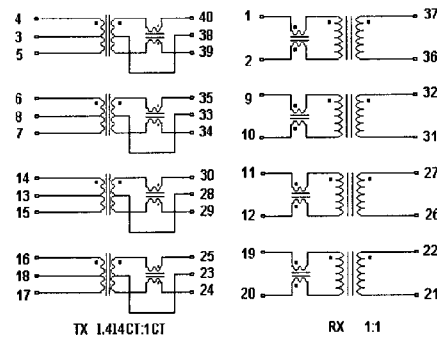
W



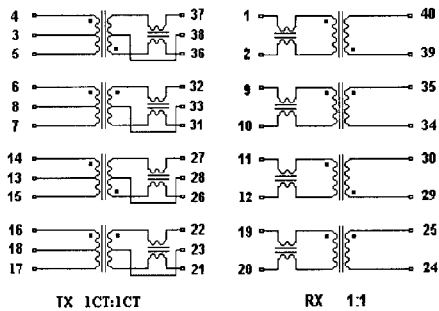
X



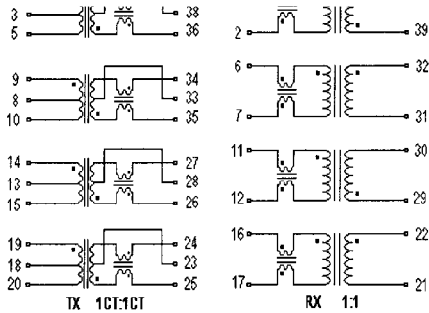
Y



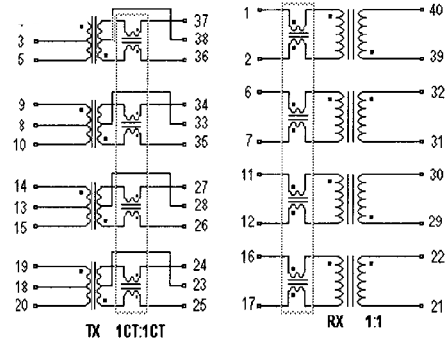
Z



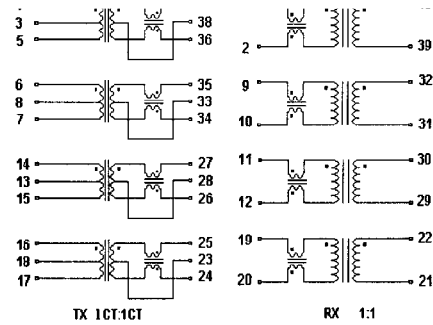
A1



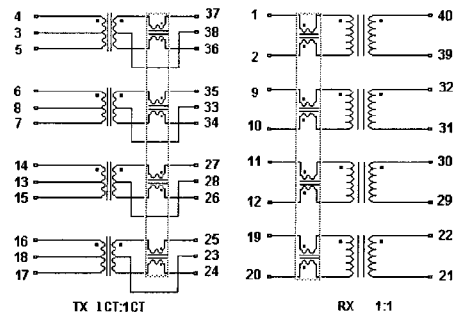
B1



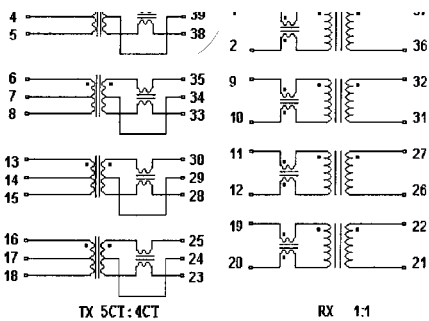
C1 C1



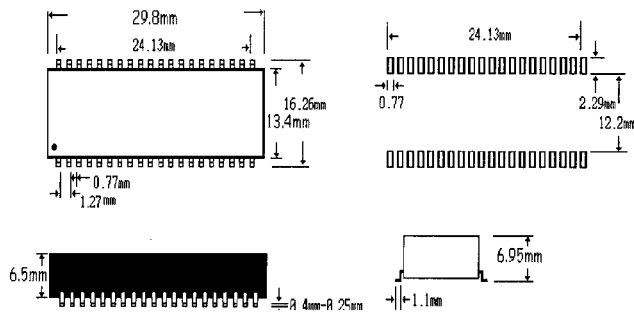
D1 D1



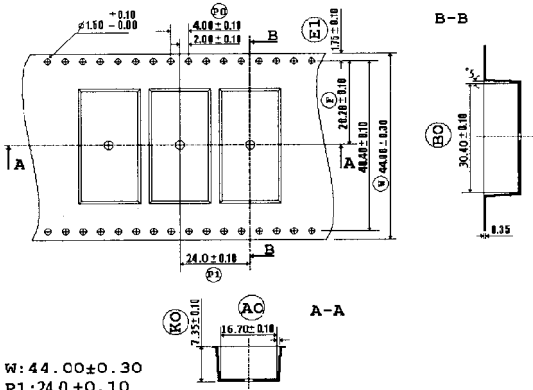
E1 E1



DIMENSION: mm (INCH) TOLERANCE: ±0.25(0.010)



PACKAGING SPEC:



W: 44.00 ± 0.30
 P1: 24.0 ± 0.10
 AO: 16.70 ± 0.10
 BO: 30.40 ± 0.10
 KO: 7.35 ± 0.10
 Tape & reel: 350/reel
 Tube: 16/tube

TEMP CURVE (IR REFLOW)

